



Fisher Engineering

P.O. Box 529 Rockland, Maine 04841

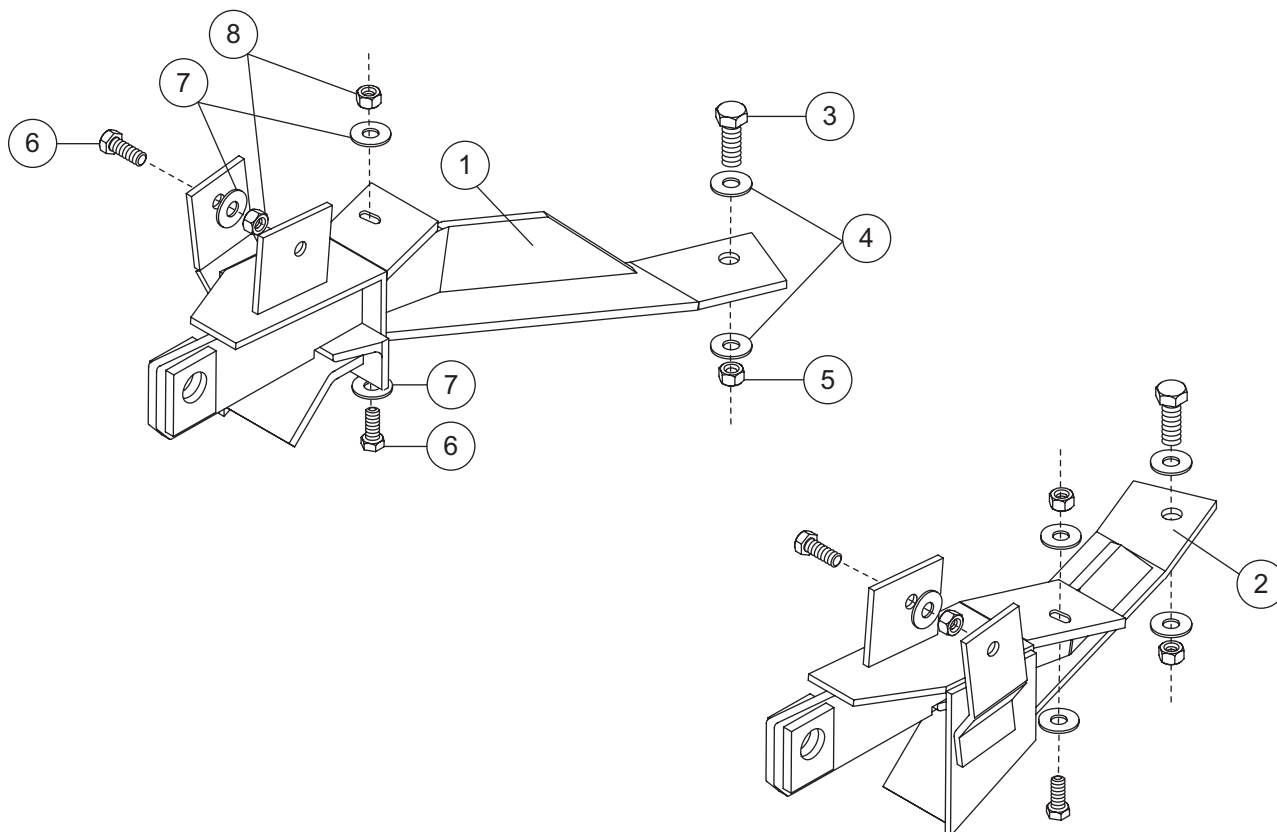
January 2, 2006
Lit. No. 26077, Rev. 05

Minute² SYSTEM

MOUNT KIT

GM K1500HD Silv/Sierra	2001 - 02
GM K2500/2500HD/3500/3600 Silv/Sierra	1999 - 02
GM C3500/3600 Silv/Sierra	2001 - 02
GM Suburban XL/Yukon XL 2500	2000 - 03

Parts List



7161

7161 Mount Kit							
Item	Part	Qty	Description	Item	Part	Qty	Description
1	25990	1	Pushplate – PS	ns	26076	1	Bolt Bag – 7161
2	25989	1	Pushplate – DS				
26076 Bolt Bag – 7161							
3	90129	2	5/8-11 x 2 Hex Cap Screw G5	6	90101	6	1/2-13 x 1-3/4 Hex Cap Screw G5
4	90576	4	5/8 Hardened Flat Washer	7	90572	14	1/2 Hardened Flat Washer
5	91337	2	5/8-11 Hex Locknut GB	8	91335	6	1/2-13 Hex Locknut GB
ns = not shown				G = grade			

Copyright © 2006 Douglas Dynamics, L.L.C. All rights reserved. This material may not be reproduced or copied, in whole or in part, in any printed, mechanical, electronic, film or other distribution and storage media, without the written consent of Fisher Engineering. Authorization to photocopy items for internal or personal use by Fisher Engineering outlets or snowplow owner is granted.

Fisher Engineering reserves the right under its product improvement policy to change construction or design details and furnish equipment when so altered without reference to illustrations or specifications used. Fisher Engineering and the vehicle manufacturer may require and/or recommend optional equipment for snow removal. Do not exceed vehicle ratings with a snowplow. Fisher Engineering offers a limited warranty for all snowplows and accessories. See separately printed page for this important information. The following are registered (®) trademarks of Douglas Dynamics, L.L.C.: FISHER®, Minute Mount® 2.

Printed in U.S.A.