

FISHER® COMPONENT WEIGHT DATA

SNOWPLOW COMPONENT WEIGHTS

On-Truck Attachment							
Kit #	Wt (lb)	X	Y	Kit #	Wt (lb)	X	Y
Homesteader™ Personal Plow Kits							
1203	34	27.0	6.0	31263	28	27.0	6.0
1213-1	23	26.0	6.0	31303-1	44	27.9	4.8
1223	40	28.0	7.0	31313	38	25.0	5.0
1233	34	32.0	7.1	31543-2	22	28.5	7.1
1503	26	27.0	6.0	31553	34	32.0	5.5
1523	26	30.0	6.0	32323	36	30.0	7.3
1533-1	31	26.0	5.0	32333	40	30.0	6.0
2303	41	29.0	6.0	33903	45	31.0	7.8
2313	30	27.0	5.0	33913	49	40.0	4.0
3713-1	20	26.0	5.0	33923	49	40.0	4.0
3723	35	21.4	5.0	42021	37	29.0	8.0
31243	36	28.0	6.5	42113-1	29	23.5	5.5
31253	34	32.0	7.1				
Minute Mount® 2 Kits							
7124	48	29.0	7.0	7170-2	54	36.0	7.0
7125	48	32.0	8.0	7171	111	39.0	7.0
7126	88	31.0	8.0	7172	174	39.0	9.8
7128	110	31.0	8.0	7173	73	31.0	9.8
7129	78	32.0	8.0	7174	37	32.0	7.1
7131	126	31.0	8.0	7175	30	32.3	8.1
7132	118	31.0	8.0	7176	52	34.6	10.2
7138	48	32.0	8.0	7177	111	39.0	7.0
7144	73	32.0	8.0	7178	37	32.5	8.1
7147	54	29.0	7.0	7179	115	38.0	7.0
7150	60	31.0	8.0	7180	45	34.0	8.5
7151-2	191	30.0	8.0	7182	36	38.5	7.0
7152-1	215	31.0	8.0	7183-1	82	35.0	10.2
7155	55	30.0	7.0	7185	46	31.0	8.0
7156-1	VARIES	VARIES	VARIES	7186-1	75	36.0	6.0
7157	62	30.0	7.0	7187	190	39.0	9.8
7158	55	29.0	7.0	7188	38	33.6	5.2
7159-2	96	31.0	7.0	7189	45	34.0	8.5
7160	44	32.0	8.0	7190-1	49	34.0	6.0
7161	44	32.0	9.0	7191	54	36.0	7.0
7162-1	127	38.0	7.0	7192	63	36.0	10.0
7163-1	32	23.0	4.0	7193	40	25.0	7.5
7164	173	31.0	8.0	7194	130	39.0	9.8
7165	55	30.0	7.0	7195	133	38.0	7.0
7166	49	31.0	7.0	7196	97	38.0	10.0
7167	46	37.0	9.0	7197-1	67	36.0	7.0
7168	44	35.0	9.0	7198	75	39.0	7.0
7169	45	35.0	10.0	7199	157	38.0	7.0

Off-Truck Assembly with Blade			
Size	Blade Assembly	Wt (lb)	Z
6'-8"	Personal Plow	239	20.4
7'-4"	Personal Plow	257	20.8
7-1/2'	HT Series™ (MS)	414	19.0
6'-9"	SD	472	18.7
7-1/2'	SD	487	19.7
7-1/2'	HD	637	20.6
8'	HD	717	26.4
8-1/2'	HD	731	26.5
9'	HD	745	26.6
7-1/2'	XBLADE™ (SS)	742	24.5
8'	XBLADE (SS)	790	26.0
8'	XBLADE (Poly)	721	24.0
8-1/2'	XBLADE (SS)	813	26.5
9'	XBLADE (SS)	835	27.0
9'	XBLADE (Poly)	757	25.0
7-1/2'	XtremeV™	849	18.3
8-1/2'	XtremeV	899	18.2
9-1/2'	XtremeV	1013	18.1
8'-10'	XLS™	985	25.2
7-1/2'	XV2™	914	18.1
8-1/2'	XV2	957	18.3
9-1/2'	XV2	1044	18.1
9'	MC	1174	26.4
10'	MC	1308	28.5

SS = Stainless Steel MS = Mild Steel

Fisher Engineering reserves the right under its product improvement policy to change construction or design details and furnish equipment when so altered without reference to illustrations or specifications used. Fisher Engineering or the vehicle manufacturer may require or recommend optional equipment for snow removal. Do not exceed vehicle ratings with a snowplow. Fisher Engineering offers a limited warranty for all snowplows and accessories. See separately printed page for this important information. The following are registered (®) or unregistered (™) trademarks of Douglas Dynamics, LLC: FISHER®, Homesteader™, HT Series™, Minute Mount® 2, SnoFoil®, XBLADE™, XLS™, XtremeV™, XV2™.

NOTE: See next section for variable definitions.

Printed in U.S.A.

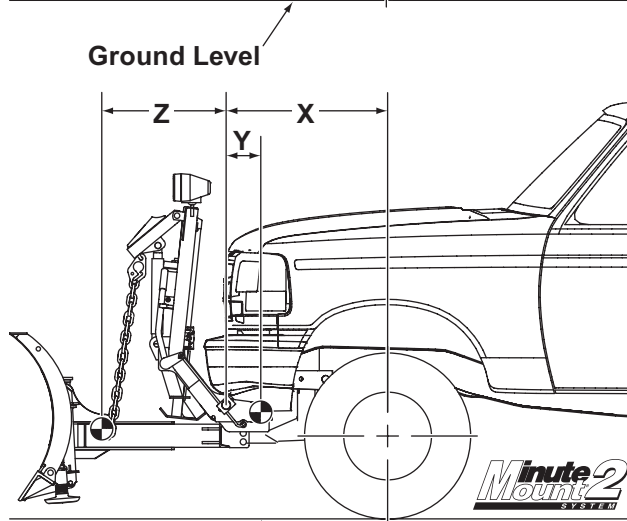
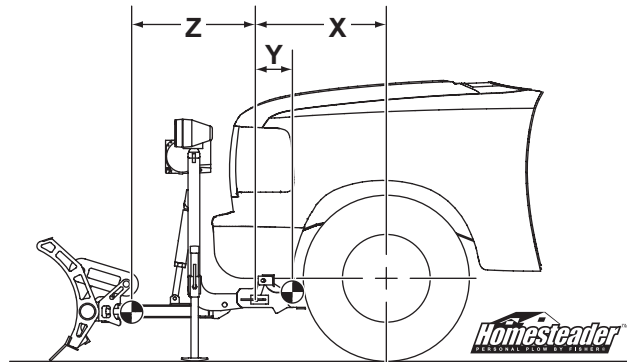
FISHER® COMPONENT WEIGHT DATA

SNOWPLOW COMPONENT WEIGHTS

Snowplow Accessories		
Description	Kit #	Added Weight
Cutting Edge		
7-1/2' SD/HD Series	5532	59
8' HD Series	5533	84
8-1/2' HD Series	26460	91
9' HD Series	5534	95
7-1/2' XBLADE™	28575	79
8' XBLADE	27580	84
8-1/2' XBLADE	27585	91
9' XBLADE	27590	95
7-1/2' XtremeV™ (1/2")	44742-1	80
8-1/2' XtremeV (1/2")	44743-1	90
Rubber Deflector		
7-1/2' HT Series™	69605	18
7-1/2', 8', 8-1/2', 9' HD Series	22470-1	29,31,33,35
7-1/2', 8', 8-1/2', 9' XBLADE	27600-1	32,33,34,35
7-1/2', 8-1/2', 9-1/2' XtremeV	44710	34
8'-10' XLS	50628	44
9' & 10' MC Series	22390	53
Steel Deflector		
6'-9" SD Series	22269	24
7-1/2' SD/HD	283	28
8' HD Series	26480	33
8-1/2' HD Series	26485	35
9' HD Series	26490	36
Back Drag Edge		
7-1/2' XtremeV	44281-2	26
8-1/2' XtremeV	44282-2	29
9-1/2' XtremeV	44283-2	33
Curb, Wear and Shoe Kits		
Poly Personal Plow	27710	3.3
SD and HT Series	27880	22
XLS and XtremeV	50700	28
Curb/Wear Shoe XBLADE	27222	38
Curb/Wear Shoe XtremeV	44850-1	45
Curb/Wear Adapter Kit XtremeV	44851-1	8
Curb Guard Kit – Pair 1/2"	44405	35
Curb Guard Kit – Pair 5/8"	44406	24
SnoFoil® Assembly		
Poly 7-1/2' HT Series	69660	6
Steel 7-1/2', 8', 8-1/2', 9' HD Series	27100	50
Steel 9' MC Series	22380	64
Steel 10' MC Series	22200	66
Other		
Blade Wing Extension XtremeV	44610-1	110
Blade Stop Kit XtremeV	44473	18

SNOWPLOW WEIGHT CALCULATION

Available vehicle capacities for aftermarket equipment and components can be determined by using the information in this guide along with information provided by the vehicle manufacturer's *Body Builder Guides*. Follow all requirements and recommendations of the vehicle manufacturer.



VARIABLES	
X =	Distance from front axle to connecting pin
Y =	Distance from connecting pin to attachment Cg
Z =	Distance from connecting pin to snowplow Cg

NOTE: The addition of accessories to a snowplow or vehicle will require additional ballast above any amount published in this guide in order to maintain FMVSS compliance. Completed vehicle with additional accessories shall not exceed GVWR or GAWR.