



**Fisher Engineering**

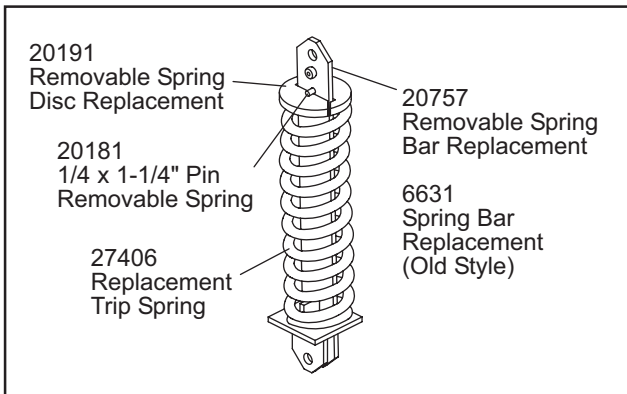
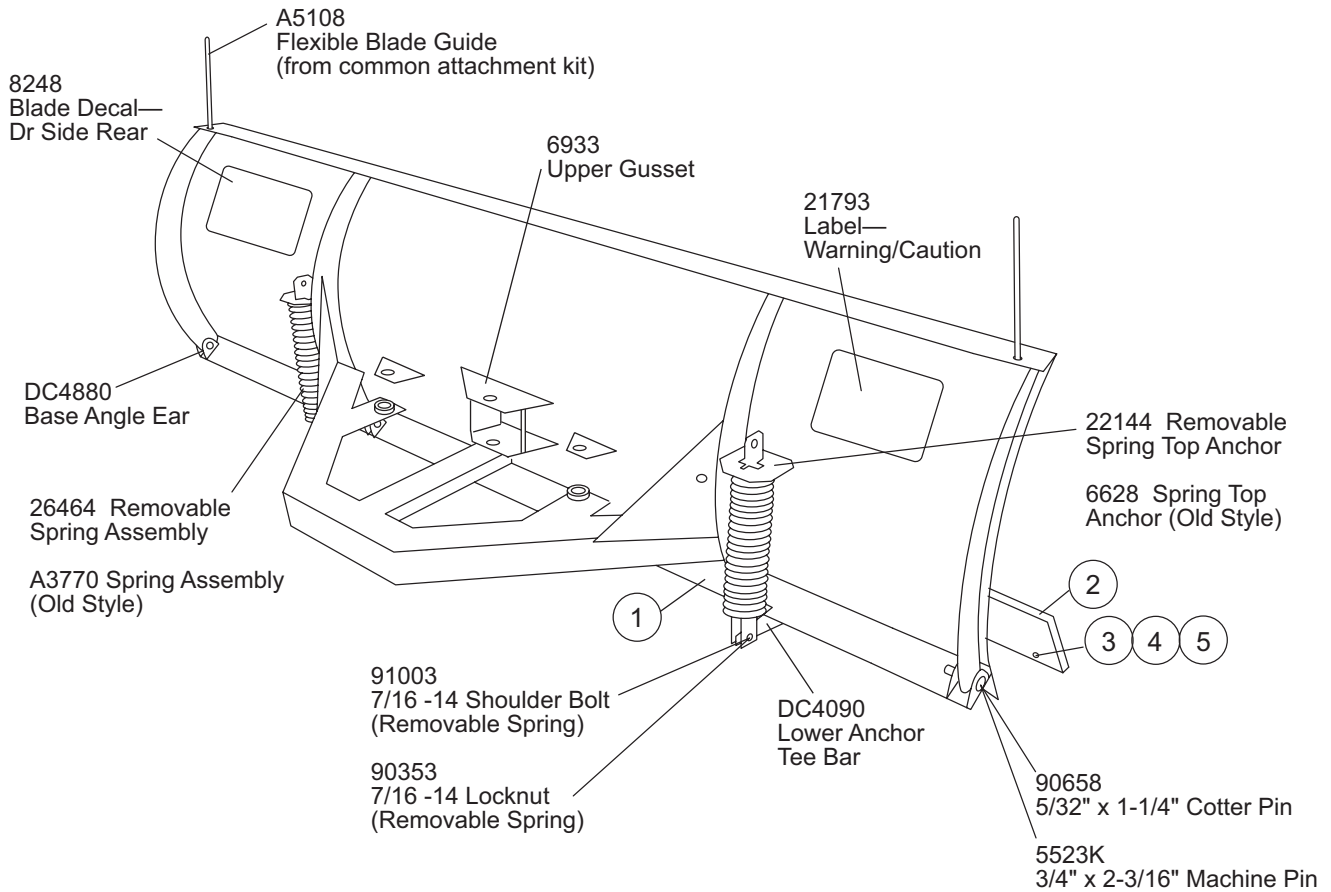
P.O. Box 529, Rockland, ME 04841

**"HS" Series Blade  
6-1/2' Blade A5090  
7' Blade A5437**

May 31, 2001  
Lit. No. 20239



## SERVICE PARTS LIST AND DIAGRAM



-over-

**"HS" Series Blade**  
**6-1/2' Blade A5090**  
**7' Blade A5437**

---

<b>A5090 6-1/2' HS Parts List</b>				<b>A5437 7' HS Parts List</b>			
<b>Ref #</b>	<b>Part #</b>	<b>Qty</b>	<b>Description</b>	<b>Ref #</b>	<b>Part #</b>	<b>Qty</b>	<b>Description</b>
1	5093	1	Tee Bar – 6-1/2' Replacement	1	5440	1	Tee Bar – 7' Replacement
2	5094	1	Cutting Edge – 6-1/2' Poly	2	5485	1	Cutting Edge – 7' Poly
3	90353	9	7/16-14 Locknut	3	90353	11	7/16-14 Locknut
4	90317	9	7/16" Flat Washer	4	90317	11	7/16" Flat Washer
5	90183	9	7/16" x 2" (NC) Gr. 5 Cap Screw	5	90183	9	7/16" x 2" (NC) Gr. 5 Cap Screw
ns	DC347	1	Doubler – Angle Frame	ns	DC347	1	Doubler – Angle Frame
ns = not shown				ns = not shown			

Copyright © 2001 Douglas Dynamics. L.L.C. All rights reserved. This material may not be reproduced or copied, in whole or in part, in any printed, mechanical, electronic, film or other distribution and storage media, without the written consent of Fisher Engineering. Authorization to photocopy items for internal or personal use by Fisher Engineering outlets is granted.

Fisher Engineering reserves the right under its product improvement policy to change construction or design details and furnish equipment when so altered without reference to illustrations or specifications used herein. Fisher Engineering and the vehicle manufacturer may require and/or recommend optional equipment for snow removal. Fisher Engineering offers a limited warranty for all snowplows and accessories. See separately printed page for this important information. The following are registered (®) and unregistered (™) trademarks of Douglas Dynamics, L.L.C.: FISHER®, Minute Mount®

Printed in USA