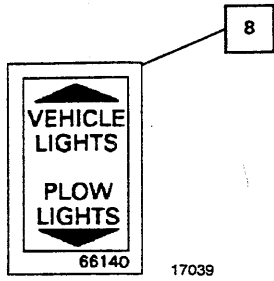


5-WIRE

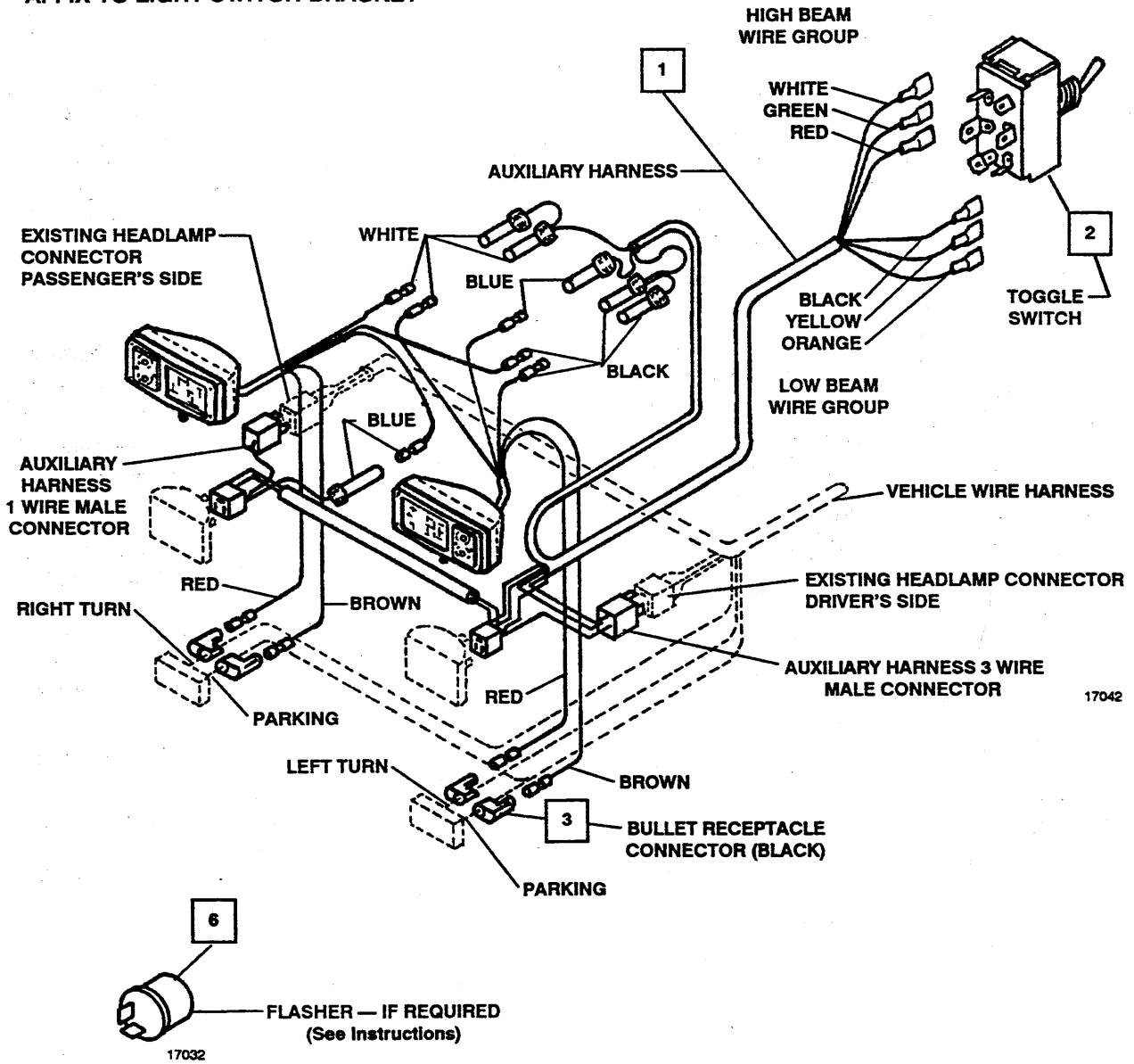
PECULIAR LIGHT KIT

A3735-29  
A3735-33  
A3735-36



CHECK YOUR LOCAL REGULATIONS FOR COMPLIANCE IN YOUR AREA.

LIGHT SWITCH BRACKET LABEL  
AFFIX TO LIGHT SWITCH BRACKET



Reference Numbers for Parts List, Page 3

## INSTALLATION INSTRUCTIONS

This Peculiar Light Kit, when used with an A6137 Headlamp Kit, includes wiring harness, connectors and switch to simplify installation and provide performance equal to existing vehicle system. Always check to be certain the vehicle lights work properly before beginning the installation.

1. Assemble headlamps to headlamp support brackets on Headgear with headlamp swivel above brackets and loosely secured with lock washer and nut. Pass leads thru grille.
2. Identify park and turn signal lamp wires on both sides of vehicle.

**CAUTION:** Before proceeding, disconnect battery ground cable to avoid possible electrical equipment damage, electrical fire or personal injury,

Attach a black self stripping bullet receptacle connector to each wire. Route auxiliary headlamp red and brown wires to receptacles. Insert **RED** wire bullets into **TURN SIGNAL** wire receptacles and **BROWN** wire bullets into **PARK** wire receptacles.

3. Install light switch bracket and drill 5/8" hole in firewall per dash bracket bag instructions. CHECK for adequate clearance before drilling.
4. In engine compartment, insert end of harness with 6 loose wires thru firewall hole drilled in Step 3. Route 3-wire male connector to headlamp(s) on driver's side of vehicle. Route passenger side headlamp connector(s) and 1-wire male connector along radiator bulkhead or over radiator shroud. Bring harness and auxiliary headlamp black, white, and blue wire connectors to a common location behind the grille. **MATCHING** wire colors, black to black, white to white, blue to blue, insert headlamp wire bullets into harness receptacles. (NOTE: 1A & 2A 5-Wire Harness P/N 6139 - blue wire bullet receptacles are adjacent to 6-wire headlamp connectors.)
5. Vehicle Headlamp Connections:

**Driver's Side of Vehicle -**

Remove existing connector(s) from headlamp(s) and couple to matching auxiliary harness 3-wire male connector. Couple auxiliary harness headlamp connector(s) to headlamp(s).

**Passenger's Side of Vehicle -**

Remove existing connector(s) from headlamp(s) and couple to matching auxiliary harness 1-wire male connector. Couple auxiliary harness headlamp connector(s) to headlamp(s).

**Both Sides -**

Secure any vehicle harness headlamp connector(s) not connected to auxiliary harness with cable tie(s) to prevent electrical grounding. **CAUTION:** Always protect wires to prevent electrical short circuits or fires.

6. Connect the six loose wire terminals of the auxiliary harness to Toggle Switch as shown in wiring diagram, Page 1. Install switch in bracket. Affix Light Switch Bracket Label to bracket.
7. Install grommet around harness and insert into firewall hole drilled in Step 3. **CAUTION:** Always protect wires to prevent electrical short circuits or fires.

Check Heavy Duty Flasher Exception Page. If vehicle is listed, install furnished flasher. Kits without a flasher do not need one unless noted.

**FINAL CHECK:** When electrical circuits are completed, reconnect the vehicle battery. Check the operation of all vehicle lights. The vehicle and auxiliary headlamps are controlled by the Toggle Switch. The park/turn signal lamps operate with vehicle lights. **Place Toggle Switch in PLOW position and with plow in RAISED position, aim Auxiliary Headlamps** in accordance with SAE J599 Lighting Inspection Code (see Page 4 of these instructions) and any federal, state, or local regulations that apply.

Finally, secure harness and wires with cable ties so they do not interfere with hot or moving parts in engine compartment.

**NOTE:** Auxiliary and vehicle headlamps will use headlamp fuses as designed by vehicle manufacturer (if one fuse is blown, vehicle or auxiliary headlamp on that side will be dimmer than a headlamp with a good fuse).

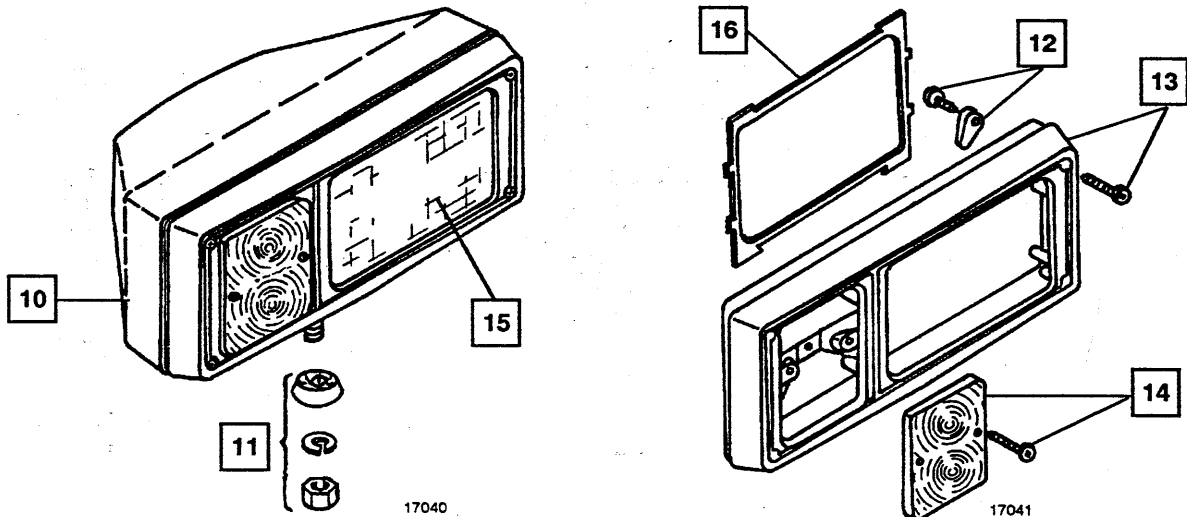
**CAUTION:** Auxiliary lights provide added safety and are a NHTSA requirement. **BEFORE TRAVELING POSITION BLADE SO IT DOES NOT BLOCK HEADLAMP BEAM. DO NOT CHANGE BLADE POSITION WHILE TRAVELING.**

| 5-WIRE   |          | PECULIAR LIGHT KIT PARTS LIST                     |          |
|----------|----------|---|----------|
| REF. NO. | QUANTITY | DESCRIPTION                                       | PART NO. |
| 1        | 1        | Light Harness 2B/2D 5 Wire (A3735-29)* (A3735-36) | 6131     |
|          | 1        | Light Harness 1A & 2A 5 Wire (A3735-33)*          | 6139     |
| 2        | 1        | Toggle Switch                                     | 3736     |
| 3        | 4        | Bullet Receptacle Connector                       | 5776     |
| 4        | 6        | Cable Tie (Not Shown)                             | 3666     |
| 5        | 1        | Grommet (Not Shown)                               | 3042     |
| 6        | 1        | Heavy Duty Flasher                                | 5972     |
| 7        | 1        | Light Switch Bracket (Not Shown)                  | 5101     |
| 8        | 1        | Light Switch Bracket Label                        | 6129     |

\* Kit without a Heavy Duty Flasher.

Reference Numbers for Diagram, Page 1.

| 5-WIRE |  | COMMON LIGHT KIT PARTS LIST |  | A6137 |
|--------|--|-----------------------------|--|-------|
|--------|--|-----------------------------|--|-------|



| REF. NO. | QUANTITY | DESCRIPTION  | PART NO. |
|----------|----------|--|----------|
|          | 1        | Headlamp - Driver Side (Not Shown)                     | A6145    |
| 10       | 1        | Headlamp - Passenger Side                              | A6146    |
| 11       | 2        | Headlamp Swivel & Fastener Group                       | 6128     |
| 12       | 2        | 2E1 Retaining Fingers with Fasteners (4 ea.)           | A6153    |
| 13       | 2        | Bezel with Fasteners (4) (Driver or Passenger Side)    | 6122     |
| 14       | 2        | Lens with Fasteners (2) (Driver or Passenger Side)     | 6123     |
| 15       | 2        | 2E1 Headlamp - Plastic                                 | 6728     |
| 16       | 1        | Headlamp Gaskets (1 Pair)                              | 6664     |
|          | 4        | Park/Turn Signal Bulb - (Trade Number 1157)(Not Shown) |          |

Fisher Engineering reserves the right under its Product Improvement Policy to change construction or design details and furnish equipment when so altered without reference to illustrations or specifications used herein.

**COMMON LIGHT KIT  
INSTRUCTION SHEET**
**FISHER HEADLAMP BEAM AIMING**

1. PLACE VEHICLE ON A LEVEL SURFACE 25 FEET IN FRONT OF A MATTE-WHITE SCREEN, SUCH AS A GARAGE DOOR. THE SCREEN SHOULD BE PERPENDICULAR BOTH TO THE GROUND AND TO THE VEHICLE CENTERLINE.
2. THE VEHICLE SHOULD BE EQUIPPED FOR NORMAL OPERATION. THE SNOWPLOW BLADE SHOULD BE IN PLACE AND IN **RAISED** POSITION. BELOW ARE POINTS LISTED BY THE SOCIETY OF AUTOMOTIVE ENGINEERS (SAE) PERTINENT TO HEADLAMP AIMING IN SPECIFICATION #SAE J599d:

Preparation for Headlamp Aim or Inspection – Before checking beam aim, the inspector shall:

1. Remove ice or mud from under fenders.
  2. See that no tire is noticeably deflated.
  3. Check car springs for sag or broken leaves.
  4. See that there is no load in the vehicle other than the driver.
  5. Check functioning of any "level-ride" control.
  6. Clean lenses and aiming pads.
  7. Check for bulb burnout, broken mechanical aiming pads, and proper beam switching.
  8. Stabilize suspension by rocking vehicle sideways.
3. MARK (OR TAPE) THE VERTICLE CENTERLINE OF THE HEADLAMPS AND THE VEHICLE ITSELF ON THE SCREEN. MARK THE HORIZONTAL CENTERLINE OF THE HEADLAMPS ON THE SCREEN (DISTANCE FROM GROUND TO HEADLAMP CENTERS).
  4. THE CORRECT VISUAL AIM FOR TYPE 2 HEADLAMPS (SNOWPLOW HEADLAMPS ARE TYPE 2; SEE NUMBER ON FACE OF SEALED BEAM) IS WITH THE TOP EDGE OF THE HIGH INTENSITY ZONE OF THE LOWER BEAM BELOW THE HORIZONTAL CENTERLINE AND THE LEFT EDGE OF THE HIGH INTENSITY ZONE ON THE VERTICAL CENTERLINE (SEE DIAGRAM BELOW).

