



FISHER® Snowplows w/4-Port Isolation Module

Kit Selection Guide 1997 Model Year

Minute²
Mount
SYSTEM

Minute
Mount
SYSTEM

HomesteaderTM
PERSONAL PLOW BY FISHER®

May 1, 2006
Lit. No. 21732
Rev. 20

Fisher Engineering
P.O. Box 529
Rockland, Maine 04841

This document supersedes all editions with an earlier date.

** THIS IS THE FINAL 1997 KIT SELECTION GUIDE FOR USE WITH THE 4-PORT ISOLATION MODULE ELECTRICAL SYSTEM.
NO FURTHER UPDATES WILL BE PROVIDED FOR THIS GUIDE. **

Table of Contents

General Information	3	International Attachment Kits	15
Selection Example	4	Headlamp Reference Guide	16
General Motors Attachment Kits	5	Snowplow Component Weights	17
Ford Attachment Kits	8	Snowplow Weight Calculation	18
Dodge Attachment Kits	11	Ballast Inquiry Sheet	19
Jeep Attachment Kits	13	Footnote Key	20
Toyota Attachment Kits	14		

Abbreviation Key			
(2L)	Two-Lamp Light System	KSG	Kit Selection Guide
(4L)	Four-Lamp Light System	LD	Light Duty
2WD	Two Wheel Drive	M/C	Municipal / Commercial
4WS	Four Wheel Steering (Option Code NYS)	MM	Minute Mount® System
ABS	Anti-Locking Braking System	MM2	Minute Mount® 2 System
AC	Air Conditioning	MS	Mild Steel
ALT	Alternator	PEC	Peculiar
AT	Automatic Transmission	RD	Regular Duty
Cg	Center of Gravity	SEHP	Solenoid Electric Hydraulic Pak
D.I.	Direct Injection	SS	Stainless Steel
DRL	Daytime Running Lamps	SUV	Sport Utility Vehicle
DRW	Dual Rear Wheel	W/	With
FGAWR	Front Gross Axle Weight Rating	W/O	Without
GAWR	Gross Axle Weight Rating	W/WO	With or Without
GVWR	Gross Vehicle Weight Rating	WB	Wheelbase
HD	Heavy Duty	X	XBLADE™ Snowplow
HYD	Hydraulic		

FISHER® Snowplows Kit Selection Guide – 1997 Model Year

⚠ WARNING

New untitled vehicle installation of a snowplow requires National Highway Traffic Safety Administration altered vehicle certification labeling. Installer to verify that selected snowplow and ballast, if required, do not exceed GVWR or GAWR rating label and complies with FMVSS.

⚠ WARNING

Do not exceed GVWR or GAWR, including blade and ballast. The rating label is found on the driver-side vehicle door cornerpost.

General Information

The *Kit Selection Guide (KSG)* is designed to help you determine the appropriate snowplow components for a particular snowplow vehicle application. The information published in this guide is based on Federal Motor Vehicle Safety Standards (FMVSS) and a "representative" snowplow vehicle as defined in this guide. The vehicle includes a combined weight of 300 lbs for occupants in the front seat location.

This *KSG* is for specific model year vehicles only and is listed on the front cover of this guide. This guide should be saved for future reference. New kit selection guides will be published for the upcoming model year and so on. The instructions on page 4 explain how to use the *Kit Selection Guide*.

The "Representative Vehicle"

Knowing that today's snowplow vehicles come in a variety of sizes and configurations (such as wheel base, engine size, and handling packages), Fisher Engineering has defined a "representative vehicle" that contains the options most likely to appear on a typical snowplow application. The "representative vehicle" includes the following options:

- 4X4 Drivetrain (unless noted)
- Spare Tire & Wheel
- Automatic Transmission
- Rear Bumper
- Air Conditioning
- Full Fluids

NOTE: If the vehicle in question does not match a vehicle listing in the *Kit Selection Guide*, or has options that differ from the "Representative Vehicle" as defined earlier, the ballast inquiry sheet must be filled out and submitted in order to determine plow availability and correct ballast amounts to maintain FMVSS compliance. Completed vehicle at no time shall exceed GVWR or GAWR.

Ballast

When ballast is required it must be secured behind the rear wheels in a manner which prevents it from sliding during normal driving. Ballast shall not exceed 1000 lbs.

Fisher Engineering offers an optional ballast retainer kit (62849) for this purpose.

NOTE: The Universal Attachment Kit is recommended for vehicles with a minimum of 5,000 pounds FGAWR only. Vehicles shall be rated between 14,000 and 27,500 GVWR for 9' MC and 10' MC snowplow installations. Snowplow and ballast or second unit bodies must comply with vehicle manufacturer's stated maximum gross vehicle weight (GVWR) and axle weight (GAWR) ratings. Vehicles must measure minimum of 22.5" from road to bottom of front frame for proper installation. Ballast Inquiry Sheet, if completed in full, can be faxed to (207) 596-2767 for assistance in snowplow and ballast recommendations. Weights for all snowplow products can be found in the current *Kit Selection Guide*. Snowplow headlamp kit must conform to vehicle lamp type.

Selection Example: Acme Motors 15000 VX with Minute Mount® 2 System

- Go to the section for the appropriate manufacturer.
- Go to the subsection for the desired snowplow type:
 - Section 1:** Regular-duty blades (Homesteader™ through M-Series snowplows)
 - Section 2:** Commercial blades (XBLADE™ through MC-Series snowplows)
- Start at the left-most column, find the **model** and appropriate configuration for the vehicle. In this case, Regular Cab, 6.5 ft box, 5.3L V8 engine, 3925 Min. FGAWR.
- Locate the **peculiar light kit** for this vehicle: 27780. See Headlamp Reference Guide in the back of the *Kit Selection Guide for more information.*
- Locate the **peculiar attachment kit** for this vehicle: 1523 for Homesteader™ system or 7168 for Minute Mount® 2 system. Refer to any footnotes concerning conditions or requirements. For this example, the Minute Mount 2 system is selected and has two footnotes: 1 and 6. A complete list of footnotes is available in the back of this guide.
- Locate the acceptable **blades** at the top of the table. Only those blades with ballast weights listed are valid applications. Three short dashes (—) indicate an invalid application. A question mark (?) indicates a ballast inquiry sheet must be completed.
- For this example, there are four acceptable blades. Choose the 8' HD M. This blade requires 600 lb. of ballast.
- To order components for a complete snowplow package, read down from the top of the selected blade column to determine the part numbers. Be sure to select *one* control, either joystick or hand-held. For this example, the part numbers would be:
 - 28000 (blade)
 - 27777 (common attachment / headgear kit)
 - n/a (A-frame)
 - 9840-2 (hydraulic kit)
 - 8435 (common light kit)
 - 8292 or 9400 (control)
 - 27780 (peculiar light kit, from Step 4)
 - 7168 (peculiar attachment kit, from Step 5 – *must match blade*)

1997 Acme Motors ← (1)

Section 1 of 2 ← (2)
Homesteader™ through HD blades ←

Model	Body Style	DRW	Box Option	Engine Type	Min FGAWR	Min RGAWR	Min GVWR	Peculiar Light Kit	Personal Plow system		Ballast Guidelines, lbs (1)	MM2 system		Ballast Guidelines, lbs (1)					
									Peculiar Att.Kit	Notes		Peculiar Att.Kit	Notes	7-1/2' LD	7-1/2' RD M	8' HD M	8-1/2' HD M	9'	
15000 RS	Reg Cab	No	6.5 Box	4.3L V6	3925	3750	6400	HB3/HB4 use 27780	1523	6,8	---	100	7168	6	300	450	600	600	---
15000 TU	Reg Cab	No	6.5 Box	4.8L V8	3925	3750	6400		1523	6,8	---	150	7168	6	350	500	600	650	---
15000 VX	Reg Cab	No	6.5 Box	5.3L V8	3925	3750	6400		1523	6,8	---	150	7168	6	350	500	600	650	---

Homesteader™	
Blade Length	6'-8" 7'-4"
Blade Assembly	Personal Personal
Blade Part Number	27547 27549
Common Attachment Kit / Headgear Kit	27550 27550
A-Frame Kit	n/a n/a
Hydraulic Kit	27517 27517
Common Light	8435
Choose a Hand-Held Control or a Joystick Control	9400 8292

Minute Mount® 2				
7-1/2' LD	7-1/2' RD M	8' HD M	8-1/2' HD M	9'
27775	27500	28000	28500	29000
27750-1	27777	27777	27777	27777
n/a	n/a	n/a	n/a	n/a
9825-1	9840-2	9840-2	9840-2	9840-2
		8435		
		9400		
		8292		

Notes:
1. Ballast amounts are based on a "Representative Vehicle," defined in the vehicle selection guide instructions, and must be modified for all other configurations for axle and GVWR compliance.

6. All New Style Only (2nd # in model # is 5 not 0) example: K15903. Refer to label in glove box for model number. Snowplow prep package recommended when available.
8. These Snowplows Are For Personal/Homeowner Use Only.

1997 General Motors

Section 1 of 2

Homesteader™ through HD blades



Blade Length	6'-8"	7'-4"
Blade Assembly	Personal	Personal
Blade Part Number	27547	27549
Common Attachment Kit / Headgear Kit	27550	27550
A-Frame Kit	n/a	n/a
Hydraulic Kit	27517	27517
Common Light	8435	
Choose a Hand-Held Control or a Joystick Control	9400	
	8292	



7-1/2' LD	7-1/2' RD M	8' HD M	8-1/2' HD M	9' HD M
27775	27500	28000	28500	29000
27750-1	27777	27777	27777	27777
n/a	n/a	n/a	n/a	n/a
9825-1	9840-2	9840-2	9840-2	9840-2
8435				
9400				
8292				

Model	Body Style	DRW	Box Option	Engine Type	Min F G A W R	Min R G A W R	Min G V W R	Peculiar Light Kit	Personal Plow system		Ballast Guidelines, lbs (1)		MM2 system		Ballast Guidelines, lbs (1)					
									Peculiar Att.Kit	Notes	Peculiar Att.Kit	Notes	Peculiar Att.Kit	Notes						
BLAZER	SU-4DR	No	---	4.3L V6	2700	2700	5300	2E use 8439 & 27968 or HB3/HB4 use 8438	1503	8,16	300	---	n/a	---	---	---	---	---	---	---
TAHOE/YUKON 1500	SU-2DR	No	---	5.7L V8	3925	3750	6250	2B use 8439 or HB3/HB4 use 8438	n/a	---	---	---	7138	5	0	100	200	---	---	
TAHOE/YUKON 1500	SU-2DR	No	---	6.5L D	3925	3750	6450		n/a	---	---	---	7138	5	250	---	---	---	---	
SUBURBAN K1500	SU-4DR	No	---	5.7L V8	3925	4800	8050		n/a	---	---	---	7138	5	0	0	300	---	---	
SUBURBAN K1500	SU-4DR	No	---	5.7L V8	3925	4000	7300		n/a	---	---	---	7138	5	0	0	300	---	---	
SUBURBAN K1500	SU-4DR	No	---	5.7L V8	3600	4000	7300		n/a	---	---	---	7138	5	150	---	---	---	---	
SUBURBAN K2500	SU-4DR	No	---	5.7L V8	4250	6000	8600		n/a	---	---	---	7125	5	---	0	0	---	---	
SUBURBAN K2500	SU-4DR	No	---	7.4L V8	4250	6000	8600		n/a	---	---	---	7125	5	---	0	---	---		
S-10/SONOMA	Reg Cab	No	6.5 Box	4.3L V6	2700	2700	5150		2E use 8439 & 27968 or HB3/HB4 use 8438	1503	8,16	300	400	n/a	---	---	---	---	---	
S-10/SONOMA	Reg Cab	No	6.5 Box	4.3L V6	2700	2300	4650	2B use 8439 or HB3/HB4 use 8438	1503	8,16	250	400	n/a	---	---	---	---	---		
S-10/SONOMA	Reg Cab	No	7.0 Box	4.3L V6	2700	2700	5150		1503	8,16	450	550	n/a	---	---	---	---	---		
K1500 CLASSIC	Reg Cab	No	6.5 Box	4.3L V6	3925	3750	6100		n/a	---	---	---	7138	5	250	400	500	550	---	
K1500 CLASSIC	Reg Cab	No	6.5 Box	4.3L V6	3600	3750	6100		n/a	---	---	---	7138	5	250	600	---	---	---	
K1500 CLASSIC	Reg Cab	No	6.5 Box	5.0L V8	3925	3750	6100		n/a	---	---	---	7138	5	300	450	---	---	---	
K1500 CLASSIC	Reg Cab	No	6.5 Box	5.0L V8	3600	3750	6100		n/a	---	---	---	7138	5	300	---	---	---	---	
K1500 CLASSIC	Reg Cab	No	6.5 Box	5.7L V8	3925	3750	6100		n/a	---	---	---	7138	5	300	450	---	---	---	
K1500 CLASSIC	Reg Cab	No	6.5 Box	5.7L V8	3600	3750	6100		n/a	---	---	---	7138	5	300	---	---	---	---	
K1500 CLASSIC	Reg Cab	No	8.0 Box	4.3L V6	3925	3750	6100		n/a	---	---	---	7138	5	250	400	---	---	---	
K1500 CLASSIC	Reg Cab	No	8.0 Box	4.3L V6	3600	3750	6100		n/a	---	---	---	7138	5	250	---	---	---	---	
K1500 CLASSIC	Reg Cab	No	8.0 Box	5.0L V8	3925	3750	6100		n/a	---	---	---	7138	5	300	450	---	---	---	
K1500 CLASSIC	Reg Cab	No	8.0 Box	5.0L V8	3600	3750	6100		n/a	---	---	---	7138	5	300	---	---	---	---	
K1500 CLASSIC	Reg Cab	No	8.0 Box	5.7L V8	3925	3750	6100		n/a	---	---	---	7138	5	450	---	---	---	---	
K1500 CLASSIC	Reg Cab	No	8.0 Box	5.7L V8	3600	3750	6100		n/a	---	---	---	7138	5	300	---	---	---	---	
K1500 CLASSIC	Reg Cab	No	8.0 Box	5.7L V8	3925	3750	6100		n/a	---	---	---	7138	5	550	---	---	---	---	
K1500 CLASSIC	Ext Cab	No	6.5 Box	4.3L V6	3925	3750	6800		n/a	---	---	---	7138	5	200	350	700	800	---	
K1500 CLASSIC	Ext Cab	No	6.5 Box	4.3L V6	3925	3750	6600		n/a	---	---	---	7138	5	200	350	700	---	---	
K1500 CLASSIC	Ext Cab	No	6.5 Box	4.3L V6	3925	3750	6200		n/a	---	---	---	7138	5	300	450	---	---	---	
K1500 CLASSIC	Ext Cab	No	6.5 Box	4.3L V6	3600	3750	6800		n/a	---	---	---	7138	5	600	---	---	---	---	
K1500 CLASSIC	Ext Cab	No	6.5 Box	4.3L V6	3600	3750	6600		n/a	---	---	---	7138	5	600	---	---	---	---	
K1500 CLASSIC	Ext Cab	No	6.5 Box	4.3L V6	3600	3750	6200		n/a	---	---	---	7138	5	600	---	---	---	---	
K1500 CLASSIC	Ext Cab	No	6.5 Box	5.0L V8	3925	3750	6800		n/a	---	---	---	7138	5	250	400	---	---	---	
K1500 CLASSIC	Ext Cab	No	6.5 Box	5.0L V8	3925	3750	6600		n/a	---	---	---	7138	5	250	400	---	---	---	
K1500 CLASSIC	Ext Cab	No	6.5 Box	5.0L V8	3925	3750	6200		n/a	---	---	---	7138	5	350	---	---	---	---	

- Notes:**
- Ballast amounts are based on a "Representative Vehicle," defined in the vehicle selection guide instructions, and must be modified for all other configurations for axle and GVWR compliance.
 - Classic Style Only (2nd # in model # is 0 not 5) example: K10903. Refer to label in glove box for model number. Snowplow prep package recommended when available.
 - These Snowplows Are For Personal/Homeowner Use Only.
 - Not intended for use with High Rider or ZR2 style trucks.

1997 General Motors

Section 1 of 2

Homesteader™ through HD blades



Blade Length	6'-8"	7'-4"
Blade Assembly	Personal	Personal
Blade Part Number	27547	27549
Common Attachment Kit / Headgear Kit	27550	27550
A-Frame Kit	n/a	n/a
Hydraulic Kit	27517	27517
Common Light	8435	
Choose a Hand-Held Control or a Joystick Control	9400	
	8292	



7-1/2' LD	7-1/2' RD M	8' HD M	8-1/2' HD M	9' HD M
27775	27500	28000	28500	29000
27750-1	27777	27777	27777	27777
n/a	n/a	n/a	n/a	n/a
9825-1	9840-2	9840-2	9840-2	9840-2
8435				
9400				
8292				

Model	Body Style	DRW	Box Option	Engine Type	Min FGAWR	Min RGAWR	Min GVWR	Peculiar Light Kit	Personal Plow system		Ballast Guidelines, lbs (1)	MM2 system		Ballast Guidelines, lbs (1)				
									Peculiar Att.Kit	Notes		Peculiar Att.Kit	Notes					
K1500 CLASSIC	Ext Cab	No	6.5 Box	5.7L V8	3925	3750	6800		n/a	---	---	7138	5	250	600	---	---	---
K1500 CLASSIC	Ext Cab	No	6.5 Box	5.7L V8	3925	3750	6600		n/a	---	---	7138	5	250	600	---	---	---
K1500 CLASSIC	Ext Cab	No	6.5 Box	5.7L V8	3925	3750	6200		n/a	---	---	7138	5	350	---	---	---	---
K1500 CLASSIC	Ext Cab	No	8.0 Box	5.0L V8	3925	3750	6800		n/a	---	---	7138	5	200	700	---	---	---
K1500 CLASSIC	Ext Cab	No	8.0 Box	5.0L V8	3925	3750	6600		n/a	---	---	7138	5	200	---	---	---	---
K1500 CLASSIC	Ext Cab	No	8.0 Box	5.0L V8	3925	3750	6200		n/a	---	---	7138	5	300	---	---	---	---
K1500 CLASSIC	Ext Cab	No	8.0 Box	5.7L V8	3925	3750	6800		n/a	---	---	7138	5	200	---	---	---	---
K1500 CLASSIC	Ext Cab	No	8.0 Box	5.7L V8	3925	3750	6600		n/a	---	---	7138	5	200	---	---	---	---
K1500 CLASSIC	Ext Cab	No	8.0 Box	5.7L V8	3925	3750	6200		n/a	---	---	7138	5	300	---	---	---	---
K1500 W/T CLASSIC	Reg Cab	No	6.5 Box	4.3L V6	3925	3750	6100		n/a	---	---	7138	5	250	400	500	550	---
K1500 W/T CLASSIC	Reg Cab	No	6.5 Box	4.3L V6	3600	3750	6100	2B use 8439 or HB3/HB4 use 8438	n/a	---	---	7138	5	250	600	---	---	---
K1500 W/T CLASSIC	Reg Cab	No	8.0 Box	4.3L V6	3925	3750	6100		n/a	---	---	7138	5	300	---	---	---	---
K1500 W/T CLASSIC	Reg Cab	No	8.0 Box	4.3L V6	3600	3750	6100		n/a	---	---	7138	5	300	---	---	---	---
K2500 CLASSIC	Ext Cab	No	6.5 Box	5.7L V8	4250	6000	8600		n/a	---	---	7125	5	---	350	650	750	850
K2500HD CLASSIC	Reg Cab	No	8.0 Box	5.7L V8	4250	6000	8600		n/a	---	---	7125	5	---	300	400	450	450
K2500HD CLASSIC	Reg Cab	No	8.0 Box	7.4L V8	4250	6000	8600		n/a	---	---	7125	5	---	550	---	---	---
K2500HD CLASSIC	Ext Cab	No	8.0 Box	5.7L V8	4250	6000	8600		n/a	---	---	7125	5	---	350	---	---	---
K3500 CLASSIC	Reg Cab	No	8.0 Box	5.7L V8	4250	6084	9200		n/a	---	---	7125	5	---	---	300	300	350
K3500 CLASSIC	Reg Cab	Yes	8.0 Box	5.7L V8	4250	7500	10000		n/a	---	---	7125	5	---	---	---	700	700
K3500 CLASSIC	Chassis	Yes	Chassis	All	All	All	8500		n/a	---	---	7125	5	---	---	---	?	?
C3500 CLASSIC	Reg Cab	Yes	8.0 Box	5.7L V8	3800	7500	10000		n/a	---	---	7148	13	---	---	---	900	1000
C3500 CLASSIC	Chassis	Yes	Chassis	All	All	All	10000		n/a	---	---	7148	13	---	---	---	?	?
C3500 HD	Chassis	Yes	Chassis	All	All	All	10000		n/a	---	---	7144	5	---	---	---	?	?

- Notes:**
- Ballast amounts are based on a "Representative Vehicle," defined in the vehicle selection guide instructions, and must be modified for all other configurations for axle and GVWR compliance.
 - Classic Style Only (2nd # in model # is 0 not 5) example: K10903. Refer to label in glove box for model number. Snowplow prep package recommended when available.
 - Coil springs.

1997 General Motors

Section 2 of 2

XBLADE™ through MC blades



Blade Length
Blade Assembly
Blade Part Number
Common Attachment Kit / Headgear Kit
A-Frame Kit
Hydraulic Kit
Common Light
Choose a Hand-Held Control
or a new Hand-Held Control
or a Joystick Control

7-1/2'	7-1/2'	8'	8'	8-1/2'	8-1/2'	9'	9'	8-1/2'	9-1/2'	9'	10'
X SS	X MS	X SS	X MS	X SS	X MS	X SS	X MS	EZ-V®	EZ-V	MC	MC
27510	27512	28100	28200	28510	28520	29100	29200	28885	28895	27250	27350
28900	27777	28900	27777	28900	27777	28900	27777	28888	28888	29999	29999
n/a	n/a	n/a	n/a	n/a	n/a	n/a	n/a	n/a	n/a	27255-1	27255-1
9840-2	9840-2	9840-2	9840-2	9840-2	9840-2	9840-2	9840-2	9828-4	9828-4	9835-1	9835-1
8435											
9400						9700			9400		
n/a						9800			n/a		
8292						9900			8292		

9'	10'
MC	MC
27250	27350
8445	8445
27255	27255
9835-1	9835-1
8435	
9400	
n/a	
8292	

Model	Body Style	DRW	Box Option	Engine Type	Min F G A W R	Min R G A W R	Min G V W R	Peculiar Light Kit	MM2 system		Ballast Guidelines, lbs (1)												Ballast Guidelines, lbs (1)		
									Peculiar Att.Kit	Notes															
K2500 CLASSIC	Ext Cab	No	6.5 Box	5.7L V8	4250	6000	8600		7125	5	750	750	---	---	---	---	---	---	1000	---	---	---	---	---	
K2500HD CLASSIC	Reg Cab	No	8.0 Box	5.7L V8	4250	6000	8600		7125	5	450	450	650	650	750	750	900	900	500	800	---	---	---	---	
K3500 CLASSIC	Reg Cab	No	8.0 Box	5.7L V8	4250	6084	9200	2B use 8439 or HB3/HB4 use 8438	7125	5	300	300	550	550	700	700	850	850	450	---	---	---	---	---	
K3500 CLASSIC	Reg Cab	Yes	8.0 Box	5.7L V8	4250	7500	10000		7125	5	---	---	---	---	900	900	---	---	700	---	---	---	---	---	
K3500 CLASSIC	Chassis	Yes	Chassis	All	All	All	8500		7125	5	---	---	---	---	?	?	?	?	?	---	---	---	---		
C3500 CLASSIC	Chassis	Yes	Chassis	All	All	All	10000		7148	13	---	---	---	---	?	?	?	?	?	---	---	---	---		
C3500 HD	Chassis	Yes	Chassis	All	All	All	10000		7144	5	---	---	---	---	?	?	?	?	?	---	---	---	---		
4500/5500 (Low Pro)	Chassis	Yes	Chassis	All	All	All	10000	2B/2D use 8443	7156-1	12	---	---	---	---	---	---	---	---	---	---	?	?	?	?	
4500/5500 T-40	Chassis	Yes	Chassis	All	All	All	10000		7156-1	12	---	---	---	---	---	---	---	---	---	---	---	?	?	?	?
4500/5500 T-50	Chassis	Yes	Chassis	All	All	All	10000		7146-1	12	---	---	---	---	---	---	---	---	---	---	---	?	?	?	?

Notes:
 1. Ballast amounts are based on a "Representative Vehicle," defined in the vehicle selection guide instructions, and must be modified for all other configurations for axle and GVWR compliance.
 5. Classic Style Only (2nd # in model # is 0 not 5) example: K10903. Refer to label in glove box for model number. Snowplow prep package recommended when available.

12. 27,500 max GVWR. T-40 is standard "sloped" hood configuration. T-50 is specialty "flat" front hood.
 13. Coil springs.

1997 Ford

Section 1 of 2

Homesteader™ through HD blades



Blade Length	6'-8"	7'-4"
Blade Assembly	Personal	Personal
Blade Part Number	27547	27549
Common Attachment Kit / Headgear Kit	27550	27550
A-Frame Kit	n/a	n/a
Hydraulic Kit	27517	27517
Common Light	8435	
Choose a Hand-Held Control or a Joystick Control	9400	
	8292	



7-1/2' LD	7-1/2' RD M	8' HD M	8-1/2' HD M	9' HD M
27775	27500	28000	28500	29000
27750-1	27777	27777	27777	27777
n/a	n/a	n/a	n/a	n/a
9825-1	9840-2	9840-2	9840-2	9840-2
8435				
9400				
8292				

Model	Body Style	DRW	Box Option	Engine Type	Min FGAWR	Min RGAWR	Min GVWR	Peculiar Light Kit	Personal Plow system		Ballast Guidelines, lbs (1)		MM2 system		Ballast Guidelines, lbs (1)					
									Peculiar Att.Kit	Notes	Peculiar Att.Kit	Notes	Peculiar Att.Kit	Notes						
EXPLORER	SU-4DR	No	---	5.0L V8	2800	3000	5640		1203	3,8	50	150	n/a	---	---	---	---	---	---	---
EXPLORER	SU-4DR	No	---	5.0L V8	2800	3000	5580		1203	3,8	50	150	n/a	---	---	---	---	---	---	---
EXPLORER	SU-4DR	No	---	4.0L V6	2800	3000	5520		1203	3,8	200	300	n/a	---	---	---	---	---	---	---
EXPLORER	SU-4DR	No	---	4.0L V6	2800	3000	5480		1203	3,8	200	300	n/a	---	---	---	---	---	---	---
EXPLORER	SU-4DR	No	---	4.0L V6	2800	3000	5440		1203	3,8	200	300	n/a	---	---	---	---	---	---	---
EXPLORER	SU-4DR	No	---	4.0L V6	2800	3000	5340		1203	3,8	200	300	n/a	---	---	---	---	---	---	---
EXPEDITION	SU-4DR	No	---	4.6L V8	3450	4200	7000		1223	3,8	---	0	7150	---	---	---	---	---	---	---
EXPEDITION	SU-4DR	No	---	4.6L V8	3450	4200	6750		1223	3,8	---	0	7150	---	---	---	---	---	---	---
EXPEDITION	SU-4DR	No	---	4.6L V8	3450	4128	7000		1223	3,8	---	0	7150	---	---	---	---	---	---	---
EXPEDITION	SU-4DR	No	---	4.6L V8	3450	4128	6750		1223	3,8	---	0	7150	---	---	---	---	---	---	---
EXPEDITION	SU-4DR	No	---	4.6L V8	3450	3900	7000		1223	3,8	---	0	7150	---	---	---	---	---	---	---
EXPEDITION	SU-4DR	No	---	4.6L V8	3450	3900	6750		1223	3,8	---	0	7150	---	---	---	---	---	---	---
EXPEDITION	SU-4DR	No	---	5.4L V8	3450	4200	7200		1223	3,8	---	0	7150	---	---	---	---	---	---	---
EXPEDITION	SU-4DR	No	---	5.4L V8	3450	4200	7000		1223	3,8	---	0	7150	---	---	---	---	---	---	---
EXPEDITION	SU-4DR	No	---	5.4L V8	3450	4128	7200		1223	3,8	---	0	7150	---	---	---	---	---	---	---
EXPEDITION	SU-4DR	No	---	5.4L V8	3450	4128	7000		1223	3,8	---	0	7150	---	---	---	---	---	---	---
F150	Reg Cab	No	6.0 Box	5.4L V8	3700	3550	6050		1223	8	---	50	7150	2	250	---	---	---	---	---
F150	Reg Cab	No	6.0 Box	5.4L V8	3200	3550	6050		1223	8	---	500	7150	2	---	---	---	---	---	---
F150	Reg Cab	No	8.0 Box	5.4L V8	3900	3200	6050		1223	8	---	150	7150	2	350	---	---	---	---	---
F150	Reg Cab	No	8.0 Box	5.4L V8	3800	3200	6050		1223	8	---	150	7150	2	350	---	---	---	---	---
F150	Reg Cab	No	8.0 Box	5.4L V8	3700	3200	6050		1223	8	---	100	7150	2	---	---	---	---	---	---
F150	Reg Cab	No	8.0 Box	5.4L V8	3400	3200	6050		1223	8	---	200	7150	2	---	---	---	---	---	---
F150	Ext Cab	No	6.0 Box	5.4L V8	3700	3200	6250		1223	8	---	0	7150	2	---	---	---	---	---	---
F150	Ext Cab	No	6.0 Box	5.4L V8	3400	3200	6250		1223	8	---	350	7150	2	---	---	---	---	---	---
F150	Ext Cab	No	8.0 Box	5.4L V8	3700	3200	6250		1223	8	---	150	7150	2	---	---	---	---	---	---

Notes:

- Ballast amounts are based on a "Representative Vehicle," defined in the vehicle selection guide instructions, and must be modified for all other configurations for axle and GVWR compliance.
- Recommended snowplow prep package whenever available.
- Requires bumper notching.
- These Snowplows Are For Personal/Homeowner Use Only.

1997 Ford

Section 1 of 2

Homesteader™ through HD blades



Blade Length	6'-8"	7'-4"
Blade Assembly	Personal	Personal
Blade Part Number	27547	27549
Common Attachment Kit / Headgear Kit	27550	27550
A-Frame Kit	n/a	n/a
Hydraulic Kit	27517	27517
Common Light	8435	
Choose a Hand-Held Control or a Joystick Control	9400	
	8292	



7-1/2' LD	7-1/2' RD M	8' HD M	8-1/2' HD M	9' HD M
27775	27500	28000	28500	29000
27750-1	27777	27777	27777	27777
n/a	n/a	n/a	n/a	n/a
9825-1	9840-2	9840-2	9840-2	9840-2
8435				
9400				
8292				

Model	Body Style	DRW	Box Option	Engine Type	Min FGAWR	Min RGAWR	Min GVWR	Peculiar Light Kit	Personal Plow system		Ballast Guidelines, lbs (1)	MM2 system		Ballast Guidelines, lbs (1)				
									Peculiar Att.Kit	Notes		Peculiar Att.Kit	Notes					
F250LD	Reg Cab	No	8.0 Box	4.6L V8	3950	4800	7200		n/a	---	---	7150	2	250	350	900	1000	---
F250LD	Reg Cab	No	8.0 Box	4.6L V8	3950	4300	7200		n/a	---	---	7150	2	250	350	850	950	---
F250LD	Reg Cab	No	8.0 Box	4.6L V8	3600	4800	7200		n/a	---	---	7150	2	750	---	---	---	---
F250LD	Reg Cab	No	8.0 Box	4.6L V8	3600	4300	7200		n/a	---	---	7150	2	700	---	---	---	---
F250LD	Reg Cab	No	8.0 Box	5.4L V8	3950	4800	7700		n/a	---	---	7150	2	250	750	---	---	---
F250LD	Reg Cab	No	8.0 Box	5.4L V8	3950	4300	7700		n/a	---	---	7150	2	250	700	---	---	---
F250LD	Ext Cab	No	6.5 Box	4.6L V8	3950	4800	7200		n/a	---	---	7150	2	200	300	900	1000	---
F250LD	Ext Cab	No	6.5 Box	4.6L V8	3950	4300	7200		n/a	---	---	7150	2	200	300	850	950	---
F250LD	Ext Cab	No	6.5 Box	4.6L V8	3600	4800	7200		n/a	---	---	7150	2	750	---	---	---	---
F250LD	Ext Cab	No	6.5 Box	4.6L V8	3600	4300	7200		n/a	---	---	7150	2	700	---	---	---	---
F250LD	Ext Cab	No	6.5 Box	5.4L V8	3950	4800	7700		n/a	---	---	7150	2	250	700	---	---	---
F250LD	Ext Cab	No	6.5 Box	5.4L V8	3950	4300	7700		n/a	---	---	7150	2	250	650	---	---	---
F250HD	Reg Cab	No	8.0 Box	5.8L V8	4600	6084	8600		n/a	---	---	7128	---	---	150	250	250	250
F250HD	Reg Cab	No	8.0 Box	5.8L V8	3850	6084	8600		n/a	---	---	7128	---	---	1000	---	---	---
F250HD	Reg Cab	No	8.0 Box	7.3L D	4600	6084	8600		n/a	---	---	7128	---	---	300	800	850	950
F250HD	Reg Cab	No	8.0 Box	7.5L V8	4600	6084	8600	HB5 use 8436	n/a	---	---	7128	---	---	250	350	350	350
F250HD	Ext Cab	No	6.5 Box	7.3L D	4600	6084	8800		n/a	---	---	7128	---	---	650	---	---	---
F250HD	Ext Cab	No	6.5 Box	7.5L V8	4600	6084	8800		n/a	---	---	7128	---	---	250	350	400	400
F250HD	Ext Cab	No	8.0 Box	5.8L V8	4600	6084	8800		n/a	---	---	7128	---	---	100	200	250	250
F250HD	Ext Cab	No	8.0 Box	7.3L D	4600	6084	8800		n/a	---	---	7128	---	---	900	---	---	---
F250HD	Ext Cab	No	8.0 Box	7.5L V8	4600	6084	8800		n/a	---	---	7128	---	---	200	350	350	350
F350	Reg Cab	No	8.0 Box	5.8L V8	5000	6084	9000		n/a	---	---	7128	---	---	---	350	350	350
F350	Reg Cab	No	8.0 Box	5.8L V8	4600	6084	9000		n/a	---	---	7128	---	---	---	350	350	350
F350	Reg Cab	No	8.0 Box	7.3L D	5000	6084	9000		n/a	---	---	7128	---	---	---	500	500	500
F350	Reg Cab	No	8.0 Box	7.5L V8	5000	6084	9000		n/a	---	---	7128	---	---	---	400	400	450
F350	Reg Cab	No	8.0 Box	7.5L V8	4600	6084	9000		n/a	---	---	7128	---	---	---	400	400	450
F350	Chassis	No	Chassis	All	All	All	8500		n/a	---	---	7128	---	---	---	?	?	?
F350	Chassis	Yes	Chassis	All	All	All	8500		n/a	---	---	7128	---	---	---	---	?	?
F350 2WD	Reg Cab	Yes	8.0 Box	5.8L V8	4000	7100	10000		n/a	---	---	7126	28	---	---	---	150	200
F350 2WD	Reg Cab	Yes	8.0 Box	7.3L D	4400	7400	10000		n/a	---	---	7126	28	---	---	---	650	750
F350 2WD	Reg Cab	Yes	8.0 Box	7.5L V8	4000	7100	10000		n/a	---	---	7126	28	---	---	---	800	900



- Notes:**
- Ballast amounts are based on a "Representative Vehicle," defined in the vehicle selection guide instructions, and must be modified for all other configurations for axle and GVWR compliance.
 - Recommended snowplow prep package whenever available.
 - Without swaybar.

1997 Ford

Section 2 of 2

XBLADE™ through MC blades

Blade Length
Blade Assembly
Blade Part Number
Common Attachment Kit / Headgear Kit
A-Frame Kit
Hydraulic Kit
Common Light
Choose a Hand-Held Control
or a new Hand-Held Control
or a Joystick Control

																	
7-1/2'	7-1/2'	8'	8'	8-1/2'	8-1/2'	9'	9'	8-1/2'	9-1/2'	9'	10'	9'	10'				
X SS	X MS	X SS	X MS	X SS	X MS	X SS	X MS	EZ-V®	EZ-V	MC	MC	MC	MC				
27510	27512	28100	28200	28510	28520	29100	29200	28885	28895	27250	27350	27250	27350				
28900	27777	28900	27777	28900	27777	28900	27777	28888	28888	29999	29999	8445	8445				
n/a	n/a	n/a	n/a	n/a	n/a	n/a	n/a	n/a	n/a	27255-1	27255-1	27255	27255				
9840-2	9840-2	9840-2	9840-2	9840-2	9840-2	9840-2	9840-2	9828-4	9828-4	9835-1	9835-1	9835-1	9835-1				
8435												8435					
9400						9700			9400			9400					
n/a												9800		n/a		n/a	
8292												9900		8292		8292	

Model	Body Style	DRW	Box Option	Engine Type	Min F G A W R	Min R G A W R	Min G V W R	Peculiar Light Kit	MM2 system		Ballast Guidelines, lbs (1)												Ballast Guidelines, lbs (1)				
									Peculiar Att.Kit	Notes																	
F250LD	Reg Cab	No	8.0 Box	4.6L V8	3950	4300	7200	HB5 use 8436	7150	2	1000	1000	---	---	---	---	---	---	---	---	---	---	---	---	---	---	
F250LD	Ext Cab	No	6.5 Box	4.6L V8	3950	4800	7200		7150	2	1000	1000	---	---	---	---	---	---	---	---	---	---	---	---	---	---	---
F250LD	Ext Cab	No	6.5 Box	4.6L V8	3950	4300	7200		7150	2	950	950	---	---	---	---	---	---	---	---	---	---	---	---	---	---	---
F250HD	Reg Cab	No	8.0 Box	5.8L V8	4600	6084	8600		7128	---	250	250	300	300	350	350	350	350	250	300	---	---	---	---	---	---	---
F250HD	Reg Cab	No	8.0 Box	7.3L D	4600	6084	8600		7128	---	900	900	---	---	---	---	---	---	---	---	---	---	---	---	---	---	---
F250HD	Reg Cab	No	8.0 Box	7.5L V8	4600	6084	8600		7128	---	350	350	400	400	450	450	450	450	350	400	---	---	---	---	---	---	---
F250HD	Ext Cab	No	6.5 Box	7.5L V8	4600	6084	8800		7128	---	400	400	450	450	450	450	500	500	400	450	---	---	---	---	---	---	---
F250HD	Ext Cab	No	8.0 Box	5.8L V8	4600	6084	8800		7128	---	250	250	300	300	300	300	350	350	250	300	---	---	---	---	---	---	---
F250HD	Ext Cab	No	8.0 Box	7.5L V8	4600	6084	8800		7128	---	350	350	400	400	400	400	550	550	350	500	---	---	---	---	---	---	---
F350	Reg Cab	No	8.0 Box	5.8L V8	5000	6084	9000		7128	---	350	350	400	400	450	450	450	450	350	400	---	---	---	---	---	---	---
F350	Reg Cab	No	8.0 Box	5.8L V8	4600	6084	9000		7128	---	350	350	400	400	450	450	450	450	350	400	---	---	---	---	---	---	---
F350	Reg Cab	No	8.0 Box	7.3L D	5000	6084	9000		7128	---	500	500	550	550	600	600	600	600	500	550	---	---	---	---	---	---	---
F350	Reg Cab	No	8.0 Box	7.5L V8	5000	6084	9000		7128	---	400	400	450	450	500	500	500	500	400	450	---	---	---	---	---	---	---
F350	Chassis	No	Chassis	All	All	All	8500		7128	---	?	?	?	?	?	?	?	?	?	?	---	---	---	---	---	---	---
F350	Chassis	Yes	Chassis	All	All	All	8500		7128	---	---	---	---	---	?	?	?	?	?	?	---	---	---	---	---	---	---
F350 2WD	Reg Cab	Yes	8.0 Box	5.8L V8	4000	7100	10000		7126	28	---	---	---	---	600	600	750	750	300	650	---	---	---	---	---	---	---
F350 2WD	Reg Cab	Yes	8.0 Box	7.3L D	4400	7400	10000		7126	28	---	---	---	---	---	---	---	---	850	---	---	---	---	---	---	---	---
F350 2WD	Reg Cab	Yes	8.0 Box	7.5L V8	4000	7100	10000		7126	28	---	---	---	---	---	---	---	---	1000	---	---	---	---	---	---	---	---
F700, F800	Chassis	Yes	Chassis	All	All	All	10000		2B/2D use 8439 & 26640	7152-1	39	---	---	---	---	---	---	---	---	---	---	---	---	?	?	?	?
F700, F800 (Low Pro)	Chassis	Yes	Chassis	All	All	All	10000		7156-1	27	---	---	---	---	---	---	---	---	---	---	---	---	---	?	?	?	?

Notes:
 1. Ballast amounts are based on a "Representative Vehicle," defined in the vehicle selection guide instructions, and must be modified for all other configurations for axle and GVWR compliance.
 2. Recommended snowplow prep package whenever available.
 27. Universal Kit. Custom installation required. 27,500 Max. GVWR. Minimum 22.5" from road to vehicle frame.
 28. Without swaybar.
 39. 27,500 max GVWR.

1997 Dodge

Section 1 of 2

Homesteader™ through HD blades



Blade Length	6'-8"	7'-4"
Blade Assembly	Personal	Personal
Blade Part Number	27547	27549
Common Attachment Kit / Headgear Kit	27550	27550
A-Frame Kit	n/a	n/a
Hydraulic Kit	27517	27517
Common Light	8435	
Choose a Hand-Held Control or a Joystick Control	9400	
	8292	



7-1/2' LD	7-1/2' RD M	8' HD M	8-1/2' HD M	9' HD M
27775	27500	28000	28500	29000
27750-1	27777	27777	27777	27777
n/a	n/a	n/a	n/a	n/a
9825-1	9840-2	9840-2	9840-2	9840-2
8435				
9400				
8292				

Model	Body Style	DRW	Box Option	Engine Type	Min F G A W R	Min R G A W R	Min G V W R	Peculiar Light Kit	Personal Plow system		Ballast Guidelines, lbs (1)	MM2 system		Ballast Guidelines, lbs (1)				
									Peculiar Att.Kit	Notes		Peculiar Att.Kit	Notes					
DAKOTA	Reg Cab	No	6.5 Box	3.9L V6	3400	3850	5830		n/a	---	---	7155	25	350	450	---	---	---
DAKOTA	Reg Cab	No	6.5 Box	3.9L V6	3166	3000	5200	HB5 use	n/a	---	---	7155	25	350	---	---	---	---
DAKOTA	Reg Cab	No	6.5 Box	5.2L V8	3400	3850	5830		n/a	---	---	7155	25	400	700	---	---	---
DAKOTA	Quad Cab	No	6.5 Box	3.9L V6	3400	3850	5900		n/a	---	---	7155	25	350	---	---	---	---
DAKOTA	Quad Cab	No	6.5 Box	5.2L V8	3400	3850	5900		n/a	---	---	7155	25	550	---	---	---	---
RAM 1500	Reg Cab	No	6.5 Box	5.2L V8	3850	3600	6400		n/a	---	---	7157	---	350	500	---	---	---
RAM 1500	Reg Cab	No	6.5 Box	5.9L V8	3850	3600	6400		n/a	---	---	7157	---	400	600	---	---	---
RAM 1500	Reg Cab	No	8.0 Box	5.2L V8	3850	3600	6400		n/a	---	---	7157	---	350	---	---	---	---
RAM 1500	Reg Cab	No	8.0 Box	5.9L V8	3850	3600	6400		n/a	---	---	7157	---	350	---	---	---	---
RAM 1500	Quad Cab	No	6.5 Box	5.2L V8	3850	3600	6400		n/a	---	---	7157	---	300	---	---	---	---
RAM 1500	Quad Cab	No	6.5 Box	5.9L V8	3850	3600	6400		n/a	---	---	7157	---	350	---	---	---	---
RAM 2500HD	Reg Cab	No	8.0 Box	5.9L D	4850	6085	8800		n/a	---	---	7157	---	---	600	---	---	---
RAM 2500HD	Reg Cab	No	8.0 Box	5.9L V8	4850	6085	8800		n/a	---	---	7157	---	---	450	550	600	600
RAM 2500HD	Reg Cab	No	8.0 Box	8.0L V10	4850	6085	8800		n/a	---	---	7157	---	---	450	550	600	600
RAM 2500HD	Quad Cab	No	6.5 Box	5.9L V8	4850	6085	8800		n/a	---	---	7157	---	---	300	400	400	450
RAM 2500HD	Quad Cab	No	8.0 Box	5.9L D	4850	6085	8800		n/a	---	---	7157	---	---	550	---	---	---
RAM 2500HD	Quad Cab	No	8.0 Box	5.9L V8	4850	6085	8800	HB1 use	n/a	---	---	7157	---	---	400	500	500	500
RAM 2500HD	Quad Cab	No	8.0 Box	8.0L V10	4850	6085	8800		n/a	---	---	7157	---	---	250	350	350	350
RAM 2500HD	Chassis	No	Chassis	All	All	All	8500		n/a	---	---	7157	---	---	?	?	?	?
RAM 3500	Reg Cab	Yes	8.0 Box	5.9L V8	4850	7500	10500		n/a	---	---	7157	---	---	---	---	350	350
RAM 3500	Reg Cab	Yes	8.0 Box	8.0L V10	4850	7500	10500		n/a	---	---	7157	---	---	---	---	500	550
RAM 3500	Quad Cab	Yes	8.0 Box	5.9L V8	4850	7500	11000		n/a	---	---	7157	---	---	---	---	250	250
RAM 3500	Quad Cab	Yes	8.0 Box	8.0L V10	4850	7500	11000		n/a	---	---	7157	---	---	---	---	700	800
RAM 3500	Chassis	Yes	Chassis	All	All	All	8500		n/a	---	---	7157	---	---	---	---	?	?
RAM 3500	Reg Cab	Yes	8.0 Box	5.9L V8	4500	7500	10500		n/a	---	---	7157	---	---	---	---	250	250
RAM 3500	Reg Cab	Yes	8.0 Box	8.0L V10	4500	7500	10500		n/a	---	---	7157	---	---	---	---	350	400
RAM 3500	Quad Cab	Yes	8.0 Box	5.9L V8	4500	7500	10500		n/a	---	---	7157	---	---	---	---	150	200
RAM 3500	Quad Cab	Yes	8.0 Box	8.0L V10	4500	7500	10500		n/a	---	---	7157	---	---	---	---	600	700
RAM 3500	Chassis	Yes	Chassis	All	All	All	10000		n/a	---	---	7157	38	---	---	---	?	?

- Notes:**
- Ballast amounts are based on a "Representative Vehicle," defined in the vehicle selection guide instructions, and must be modified for all other configurations for axle and GVWR compliance.
 - Requires LT 235 series tires or larger.
 - 4X4 or 4X2.

1997 Dodge

Section 2 of 2

XBLADE™ through MC blades



Blade Length
Blade Assembly
Blade Part Number
Common Attachment Kit / Headgear Kit
A-Frame Kit
Hydraulic Kit
Common Light
Choose a Hand-Held Control
or a new Hand-Held Control
or a Joystick Control

7-1/2'	7-1/2'	8'	8'	8-1/2'	8-1/2'	9'	9'	8-1/2'	9-1/2'	9'	10'	9'	10'		
X SS	X MS	X SS	X MS	X SS	X MS	X SS	X MS	EZ-V®	EZ-V	MC	MC	9'	10'		
27510	27512	28100	28200	28510	28520	29100	29200	28885	28895	27250	27350	27250	27350		
28900	27777	28900	27777	28900	27777	28900	27777	28888	28888	29999	29999	8445	8445		
n/a	n/a	n/a	n/a	n/a	n/a	n/a	n/a	n/a	n/a	27255-1	27255-1	27255	27255		
9840-2	9840-2	9840-2	9840-2	9840-2	9840-2	9840-2	9840-2	9828-4	9828-4	9835-1	9835-1	9835-1	9835-1		
8435												8435	8435		
9400										9700		9400		9400	9400
n/a										9800		n/a		n/a	n/a
8292										9900		8292		8292	8292

Model	Body Style	DRW	Box Option	Engine Type	Min F G A W R	Min R G A W R	Min G V W R	Peculiar Light Kit	MM2 system		Ballast Guidelines, lbs (1)												Ballast Guidelines, lbs (1)	
									Peculiar Att.Kit	Notes	7157	---	600	600	650	650	650	650	650	650	600	650		---
RAM 2500HD	Reg Cab	No	8.0 Box	5.9L V8	4850	6085	8800	HB1 use 8436	7157	---	600	600	650	650	650	650	650	600	650	---	---	---	---	
RAM 2500HD	Reg Cab	No	8.0 Box	8.0L V10	4850	6085	8800		7157	---	600	600	650	650	650	650	800	800	600	700	---	---	---	---
RAM 2500HD	Quad Cab	No	6.5 Box	5.9L V8	4850	6085	8800		7157	---	400	400	450	450	500	500	500	400	450	---	---	---	---	
RAM 2500HD	Quad Cab	No	8.0 Box	5.9L V8	4850	6085	8800		7157	---	500	500	550	550	550	550	600	600	500	550	---	---	---	---
RAM 2500HD	Quad Cab	No	8.0 Box	8.0L V10	4850	6085	8800		7157	---	350	350	400	400	450	450	600	600	350	500	---	---	---	---
RAM 2500HD	Chassis	No	Chassis	All	All	All	8500		7157	---	?	?	?	?	?	?	?	?	?	---	---	---	---	
RAM 3500	Reg Cab	Yes	8.0 Box	5.9L V8	4850	7500	10500		7157	---	---	---	---	---	450	450	450	450	350	400	---	---	---	---
RAM 3500	Reg Cab	Yes	8.0 Box	8.0L V10	4850	7500	10500		7157	---	---	---	---	---	900	900	---	---	650	950	---	---	---	---
RAM 3500	Quad Cab	Yes	8.0 Box	5.9L V8	4850	7500	11000		7157	---	---	---	---	---	350	350	350	350	250	300	---	---	---	---
RAM 3500	Quad Cab	Yes	8.0 Box	8.0L V10	4850	7500	11000		7157	---	---	---	---	---	---	---	---	950	---	---	---	---	---	---
RAM 3500	Chassis	Yes	Chassis	All	All	All	8500		7157	---	---	---	---	---	?	?	?	?	?	---	---	---	---	
RAM 3500	Reg Cab	Yes	8.0 Box	5.9L V8	4500	7500	10500		7157	---	---	---	---	---	300	300	300	300	250	300	---	---	---	---
RAM 3500	Reg Cab	Yes	8.0 Box	8.0L V10	4500	7500	10500		7157	---	---	---	---	---	800	800	900	900	500	850	---	---	---	---
RAM 3500	Quad Cab	Yes	8.0 Box	5.9L V8	4500	7500	10500		7157	---	---	---	---	---	250	250	300	300	150	250	---	---	---	---
RAM 3500	Quad Cab	Yes	8.0 Box	8.0L V10	4500	7500	10500		7157	---	---	---	---	---	---	---	---	850	---	---	---	---	---	---
RAM 3500	Chassis	Yes	Chassis	All	All	All	10000		7157	38	---	---	---	---	?	?	?	?	?	---	---	---	---	

Notes:
1. Ballast amounts are based on a "Representative Vehicle," defined in the vehicle selection guide instructions, and must be modified for all other configurations for axle and GVWR compliance.
38. 4X4 or 4X2.

1997 Jeep

Section 1

Homesteader™ through HD blades



Blade Length	6'-8"	7'-4"
Blade Assembly	Personal	Personal
Blade Part Number	27547	27549
Common Attachment Kit / Headgear Kit	27550	27550
A-Frame Kit	n/a	n/a
Hydraulic Kit	27517	27517
Common Light	8435	
Choose a Hand-Held Control or a Joystick Control	9400	
	8292	



7-1/2' LD	7-1/2' RD M	8' HD M	8-1/2' HD M	9' HD M
27775	27500	28000	28500	29000
27750-1	27777	27777	27777	27777
n/a	n/a	n/a	n/a	n/a
9825-1	9840-2	9840-2	9840-2	9840-2
8435				
9400				
8292				

Model	Body Style	DRW	Box Option	Engine Type	Min F G A W R	Min R G A W R	Min G V W R	Peculiar Light Kit	Personal Plow system		Ballast Guidelines, lbs (1)	MM2 system		Ballast Guidelines, lbs (1)					
									Peculiar Att.Kit	Notes		Peculiar Att.Kit	Notes						
WRANGLER	SU-2DR	No	---	2.5L I4	2500	2600	4360		3723	8	0	0	7163-1	26	---	---	---	---	---
WRANGLER	SU-2DR	No	---	2.5L I4	2200	2600	4360	2D use 8439	3723	8	0	0	n/a	---	---	---	---	---	---

- Notes:**
- Ballast amounts are based on a "Representative Vehicle," defined in the vehicle selection guide instructions, and must be modified for all other configurations for axle and GVWR compliance.
 - These Snowplows Are For Personal/Homeowner Use Only.
 - Requires MOPAR air shock kit PN 82202562 to increase FGAWR from 2200 to 2500.

1997 Toyota

Section 1

Homesteader™ through HD blades



Blade Length	6'-8"	7'-4"
Blade Assembly	Personal	Personal
Blade Part Number	27547	27549
Common Attachment Kit / Headgear Kit	27550	27550
A-Frame Kit	n/a	n/a
Hydraulic Kit	27517	27517
Common Light	8435	
Choose a Hand-Held Control or a Joystick Control	9400	
	8292	



7-1/2' LD	7-1/2' RD M	8' HD M	8-1/2' HD M	9' HD M
27775	27500	28000	28500	29000
27750-1	27777	27777	27777	27777
n/a	n/a	n/a	n/a	n/a
9825-1	9840-2	9840-2	9840-2	9840-2
8435				
9400				
8292				



Model	Body Style	DRW	Box Option	Engine Type	Min F G A W R	Min R G A W R	Min G V W R	Peculiar Light Kit	Personal Plow system		Ballast Guidelines, lbs (1)	MM2 system		Ballast Guidelines, lbs (1)					
									Peculiar Att.Kit	Notes		Peculiar Att.Kit	Notes						
TACOMA	Reg Cab	No	8.0 Box	2.7L I4	2650	2800	5000	HB2 use 8439	2313	8	50	100	7158	21	---	---	---	---	---
TACOMA	Ext Cab	No	6.5 Box	2.7L I4	2650	2800	5000		2313	8	50	100	7158	21	---	---	---	---	---
TACOMA	Ext Cab	No	6.5 Box	3.4L V6	2650	2800	5100		2313	8	100	100	7158	21	---	---	---	---	---

- Notes:**
- Ballast amounts are based on a "Representative Vehicle," defined in the vehicle selection guide instructions, and must be modified for all other configurations for axle and GVWR compliance.
 - These Snowplows Are For Personal/Homeowner Use Only.
 - Requires 31 x 10.5/R15 tires or equivalent size minimum.

1997 International

Section 2

XBLADE™ through MC blades

															
Blade Length	7-1/2'	7-1/2'	8'	8'	8-1/2'	8-1/2'	9'	9'	8-1/2'	9-1/2'	9'	10'	9'	10'	
Blade Assembly	X SS	X MS	X SS	X MS	X SS	X MS	X SS	X MS	EZ-V®	EZ-V	MC	MC	MC	MC	
Blade Part Number	27510	27512	28100	28200	28510	28520	29100	29200	28885	28895	27250	27350	27250	27350	
Common Attachment Kit / Headgear Kit	28900	27777	28900	27777	28900	27777	28900	27777	28888	28888	29999	29999	8445	8445	
A-Frame Kit	n/a	n/a	n/a	n/a	n/a	n/a	n/a	n/a	n/a	n/a	27255-1	27255-1	27255	27255	
Hydraulic Kit	9840-2	9840-2	9840-2	9840-2	9840-2	9840-2	9840-2	9840-2	9828-4	9828-4	9835-1	9835-1	9835-1	9835-1	
Common Light	8435												8435	8435	
Choose a Hand-Held Control or a new Hand-Held Control or a Joystick Control	9400									9700		9400		9400	9400
	n/a									9800		n/a		n/a	n/a
	8292									9900		8292		8292	8292

Model	Body Style	DRW	Box Option	Engine Type	Min F G A W R	Min R G A W R	Min G V W R	Peculiar Light Kit	MM2 system		Ballast Guidelines, lbs (1)												Ballast Guidelines, lbs (1)				
									Peculiar Att.Kit	Notes																	
4700, 4800, 4900	Chassis	Yes	Chassis	All	All	All	10000	2B use 8439 & 26640	7151-2	11	---	---	---	---	---	---	---	---	---	---	---	---	---	?	?	?	?
4700, 4800, 4900 (Low Pro)	Chassis	Yes	Chassis	All	All	All	10000		7156-1	27	---	---	---	---	---	---	---	---	---	---	---	---	---	?	?	?	?

Notes:

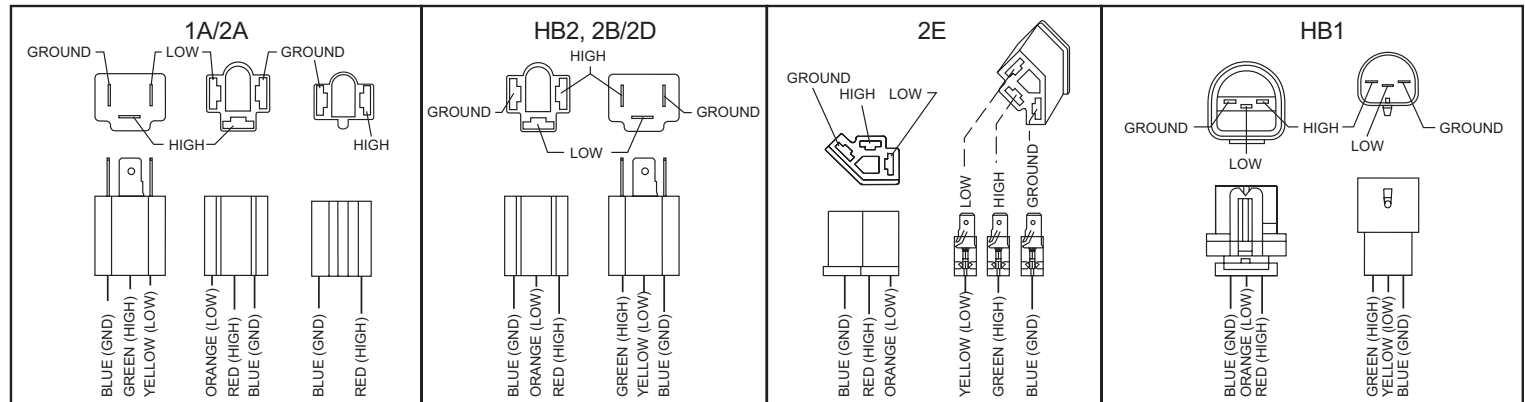
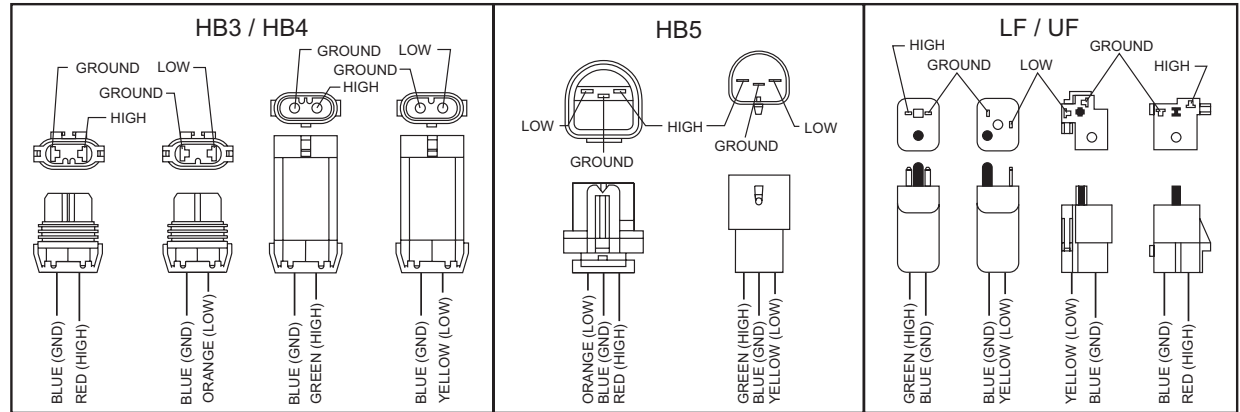
- Ballast amounts are based on a "Representative Vehicle," defined in the vehicle selection guide instructions, and must be modified for all other configurations for axle and GVWR compliance.
- 27,500 max GVWR. 3 x 50 or 3 x 54 springs only.
- Universal Kit. Custom installation required. 27,500 Max. GVWR. Minimum 22.5" from road to vehicle frame.

Headlamp Reference Guide

NOTE: The lamp type is usually embossed in the headlamp lens.

NOTE: Blue ground wires may be LT or DK BLU, w/ or w/o WHT stripe, depending on harness.

Headlamp Type	Bulb Type	Headlamp Type	Bulb Type
LF	H4703	2E1	H6545
UF	H4701	H13	9008
1A1	H4651	HB1	9004
2A1	H4652(GMC/Chevy)	HB2	9003
2A1	H4656 (Mitsubishi)	HB3	9005
2B1	H6054	HB4	9006
2D1	H6024	HB5	9007



Snowplow Component Weights

Off-Truck Assembly with Blade

Size	Blade Assembly	Weight (lbs.)	Z	Size	Blade Assembly	Weight (lbs.)	Z
6'-8"	Personal Plow	239	20.4	8'	XBLADE Plow	790	26.0
7'-4"	Personal Plow	257	20.8	8-1/2'	XBLADE Plow	813	26.5
7-1/2'	LD	487	19.7	9'	XBLADE Plow	835	27.0
7-1/2'	RD M	630	20.6	8-1/2'	EZ-V® Plow	808	16.0
8'	HD M	717	26.4	9-1/2'	EZ-V Plow	870	16.0
8-1/2'	HD M	731	26.5	9'	MC w/MM or MM2	1350	25.5
9'	HD M	745	26.6	10'	MC w/MM or MM2	1410	26.0
7-1/2'	XBLADE™ Plow	742	24.5				

On-Truck Attachment

Kit #	Weight (lbs.)	X	Y	Kit #	Weight (lbs.)	X	Y	Kit #	Weight (lbs.)	X	Y
Homesteader™ Kits											
1203	34.0	27.0	6.0	1503	26.0	27.0	6.0	2313	30.0	27.0	5.0
1213	26.0	26.0	6.0	1523	26.0	30.0	6.0	3713-1	20.0	26.0	5.0
1223	40.0	28.0	7.0	1533	31.0	26.0	5.0	3723	35.0	21.4	5.0
1233	34	32	7.1	2303	41.0	29.0	6.0				
Minute Mount® and Minute Mount® 2 Kits											
7124	48.0	29.0	7.0	7148	74.0	32.0	8.0	7163-1	32.0	23.0	4.0
7125	48.0	32.0	8.0	7150	60.0	31.0	8.0	7164	173.0	31.0	8.0
7126	88.0	31.0	8.0	7151-2	191.0	30.0	8.0	7165	55.0	30.0	7.0
7128	110.0	31.0	8.0	7152-1	215.0	31.0	8.0	7166	49.0	31.0	7.0
7129	78.0	32.0	8.0	7155	55.0	30.0	7.0	7167	46.0	37.0	9.0
7130	41.0	30.0	7.0	7156-1	VARIABLES	VARIABLES	VARIABLES	7168	44.0	35.0	9.0
7131	126.0	31.0	8.0	7157	62.0	30.0	7.0	7169	45.0	35.0	10.0
7132	118.0	31.0	8.0	7158	55.0	29.0	7.0	7170-1	54.0	36.0	7.0
7138	48.0	32.0	8.0	7159-2	96.0	31.0	7.0	7171	111.0	39.0	7.0
7144	73.0	32.0	8.0	7160	44.0	32.0	8.0	7172	174	39.0	9.8
7146-1	214.0	32.0	8.0	7161	44.0	32.0	9.0	7173	73.0	31.0	9.8
7147	54.0	29.0	7.0	7162-1	127.0	38.0	7.0	7174	37.0	32.0	7.1

Accessories

Description	Kit #	Added Plow Weight
Cutting Edge 7-1/2' LD/RD	5532	59
Cutting Edge 8' HD	5533	84
Cutting Edge 8-1/2' HD	26460	91
Cutting Edge 9' HD	5534	95
Cutting Edge 7-1/2' XBLADE Plow	28575	59
Cutting Edge 8' XBLADE Plow	27580	84
Cutting Edge 8-1/2' XBLADE Plow	27585	91
Cutting Edge 9' XBLADE Plow	27590	95
Cutting Edge 8-1/2' EZ-V Plow	28408	82
Cutting Edge 9-1/2' EZ-V Plow	26593	103
Cutting Edge 9' MC	27362	122
Cutting Edge 10' MC	27239	132
Deflector - Rubber 7-1/2', 8', 8-1/2', 9' RD/HD	22470-1	29,31,33,35
Deflector - Rubber 7-1/2', 8', 8-1/2', 9' XBLADE Plow	27600-1	32,33,34,35
Deflector - Rubber 8-1/2' EZ-V Plow	21619	45
Deflector - Rubber 9-1/2' EZ-V Plow	26572	50
Deflector - Rubber 9' & 10' MC	22390	53
Deflector - Steel 6'-9"	22269	24
Deflector - Steel 7-1/2' LD/RD	283	28
Deflector - Steel 8'	26480	33
Deflector - Steel 8-1/2'	26485	35
Deflector - Steel 9'	26490	36
Poly Shoe Kit Personal Plow	27710	3.3
Shoe Kit LD Blades	27880	22
Shoe Kit XBLADE – Curb Shoe	27487-1	12
Shoe Kit XBLADE – Wear Shoe	28367-1	35
SnoFoil Assembly for 7-1/2', 8', 8-1/2', 9' M	27100	50
SnoFoil Assembly 9' MC	22380	64
SnoFoil Assembly 10' MC	22200	66

NOTE: The addition of accessories to a snowplow or vehicle will require additional ballast above any amount published in this guide in order to maintain FMVSS compliance. Completed vehicle with additional accessories shall not exceed GVWR or GAWR.

NOTE: An abbreviation key is on page 2.

NOTE: See next page for variable definitions.

Snowplow Weight Calculation

Available vehicle capacities for aftermarket equipment and components can be determined by using the information in this guide along with information provided by the vehicle manufacturer's *Body Builder Guides*. Follow all requirements and recommendations of the vehicle manufacturer.

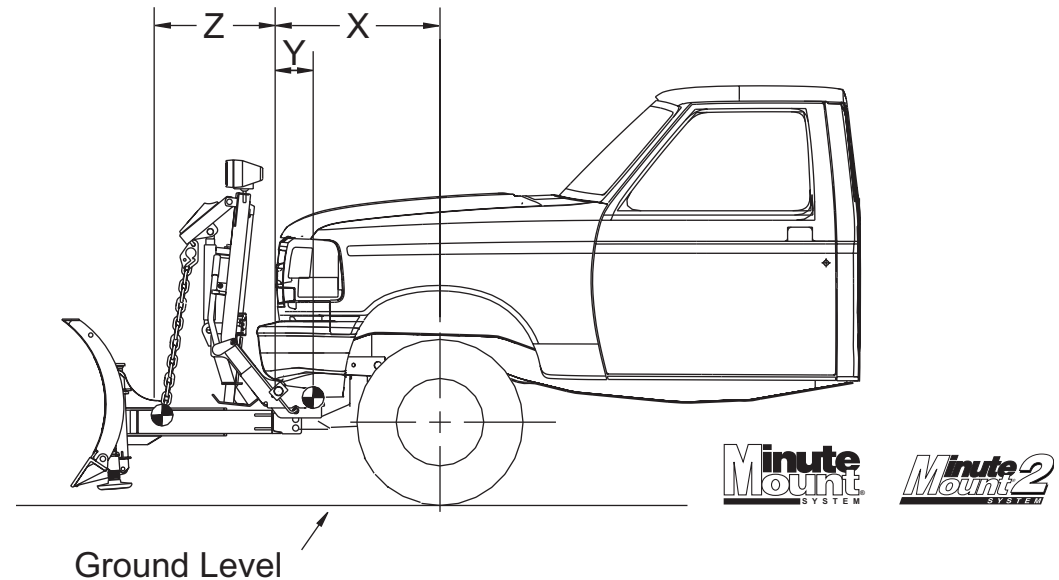
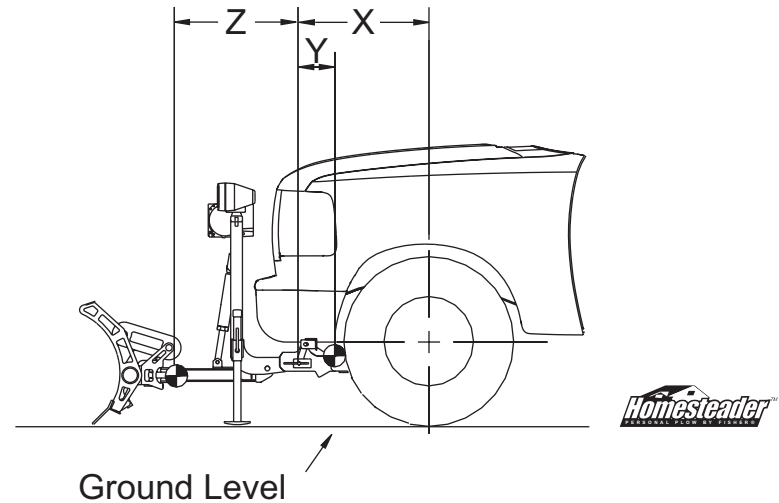
VARIABLES

X = Distance from front axle to connecting pin.

Y = Distance from connecting pin to attachment Cg.

Z = Distance from connecting pin to plow Cg.

NOTE: An abbreviation key is on page 2.



Ballast Inquiry Sheet



FISHER ENGINEERING
 P.O. Box 529
 Rockland, Maine 04841

Telephone (207) 701-4200
 Fax (207) 596-2767

DISTRIBUTOR		TEL
		FAX
CUSTOMER		DATE BUILT
VIN		

VEHICLE INFORMATION

YEAR			
MAKE			
MODEL			
DRIVE TRAIN	<input type="checkbox"/> 2WD (over 10,000 lb. GVW only)	<input type="checkbox"/> 4WD	<input type="checkbox"/> ALL WHEEL <input type="text"/> OTHER
DRW (Dual Rear Wheels)	<input type="checkbox"/> YES	<input type="checkbox"/> NO	
BODY STYLE	<input type="checkbox"/> REG CAB	<input type="checkbox"/> X-CAB	<input type="text"/> OTHER
BOX OPTION(S)	<input type="checkbox"/> DUMP BOX	<input type="checkbox"/> STAKE BED	<input type="text"/> OTHER
ENGINE TYPE			
GFAWR			
GRAWR			
GVWR			

HORIZONTAL DISTANCE DESCRIPTION

L31	DRIVER'S hip point; in MIDDLE position, to Centerline of FRONT axle	(in.)
L101	Between axles (Wheelbase)	(in.)
L104	Middle of FRONT bumper to centerline of FRONT axle	(in.)
	Middle of ballast location to centerline of REAR axle	(in.)

VEHICLE WEIGHT (TRUCK MUST BE WEIGHED COMPLETE AND EMPTY (-) OCCUPANTS, PLOW & MOUNT)

FRONT (lb.)	REAR (lb.)

FUEL TANKS (ONLY NEEDED IF WEIGHED VEHICLE NOT FULLY FUELED)

LEVEL (see below)	CAPACITY (gal.)	LOCATION FROM REAR AXLE TO CENTER OF TANK (in.)
FRONT OF REAR AXLE		
REAR OF REAR AXLE		

FUEL LEVEL (EMPTY = 0, HALF = 1/2, FULL = 1)

THIS FORM *MUST* BE COMPLETED IN ITS ENTIRETY. ANY FORMS CONTAINING INCOMPLETE INFORMATION *WILL NOT BE CONSIDERED*. PLEASE RETURN VIA FAX (207) 596-2767.

FISHER ENGINEERING and the vehicle manufacturer may require or recommend optional equipment for snow removal. See the FISHER ENGINEERING *Kit Selection Guide* for additional product information.

Footnote Key

1. Ballast amounts are based on a "Representative Vehicle," defined in the vehicle selection guide instructions, and must be modified for all other configurations for axle and GVWR compliance.
2. Recommended snowplow prep package whenever available.
3. Requires bumper notching.
4. Recommended Z85 suspension.
5. Classic Style Only (2nd # in model # is 0 not 5) example: K10903. Refer to label in glove box for model number. Snowplow prep package recommended when available.
6. All New Style Only (2nd # in model # is 5 not 0) example: K15903. Refer to label in glove box for model number. Snowplow prep package recommended when available.
7. "EARLY" indicates a build date before 12-01-2003, "LATE" indicates a build date on or after 12-01-2003
8. These Snowplows Are For Personal/Homeowner Use Only.
9. Bumper notching on SPORT required
10. May require bumper or air dam notching.
11. 27,500 max GVWR. 3 x 50 or 3 x 54 springs only.
12. 27,500 max GVWR. T-40 is standard "sloped" hood configuration. T-50 is specialty "flat" front hood.
13. Coil springs.
14. Mount attaches over and in front of bumper.
15. Not for use on trucks with quad shocks.
16. Not intended for use with High Rider or ZR2 style trucks.
17. Recommended air spring kit PN 63720 on snowplows 8.5' & larger.
18. Recommended F60 suspension or snowplow prep package.
19. Recommended with 31X10.5/R15 LT tires or equivalent to provide proper attachment clearance.
20. Recommended with optional heavy duty front suspension package only - (F150 3800 lbs., F250 4600 lbs., F350 4X4 4800 lbs., F350 2WD 4000 lbs.).
21. Requires 31 x 10.5/R15 tires or equivalent size minimum.
22. Requires 7700 Payload Group (option 627).
23. Requires bumper notching on Sport and LE Sport option.
24. Requires front air bags.
25. Requires LT 235 series tires or larger.
26. Requires MOPAR air shock kit PN 82202562 to increase FGAWR from 2200 to 2500.
27. Universal Kit. Custom installation required. 27,500 Max. GVWR. Minimum 22.5" from road to vehicle frame.
28. Without swaybar.
29. Requires adapter PN 28027.
30. High output diesel engines require automatic transmission.
31. A Ballast Inquiry Sheet must be submitted to approve this application.
32. Not for use on extended cab vehicles with diesel engines.
33. Regular cab only.
34. 3X50 or 3X54 inch springs only.
35. Not for use on diesels.
37. Requires 5000 lb FGAWR min. for use with diesel engines.
38. 4X4 or 4X2.
39. 27,500 max GVWR.

Notes:



Fisher Engineering
P.O. Box 529
Rockland, ME 04841

 A DIVISION OF DOUGLAS DYNAMICS, L.L.C.

Fisher Engineering reserves the right under its product improvement policy to change construction or design details and furnish equipment when so altered without reference to illustrations or specifications used. Fisher Engineering and the vehicle manufacturer may require and/or recommend optional equipment for snow removal. Do not exceed vehicle ratings with a snowplow. Fisher Engineering offers a limited warranty on all snowplows and accessories. See separately printed page for this important information. The following are registered (®) and unregistered (™) trademarks of Douglas Dynamics, L.L.C.: EZ-V®, FISHER®, Fish-Stik®, Homesteader™, Insta-Act®, Minute Mount®, Minute Mount® 2, SnoFoil®, XBLADE™.

Printed in U.S.A.