



**Fisher Engineering**

P.O. Box 529 Rockland, Maine 04841

**9825  
9835  
9840-1**

December 11, 2000  
Lit. No. 21993

# Insta-Act® Hydraulic Kit

## Parts Lists and Diagrams

### Table of Contents

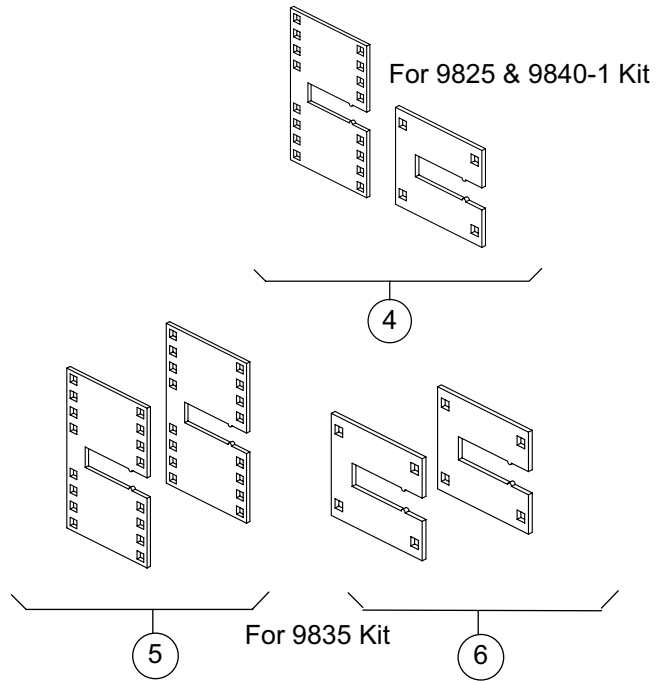
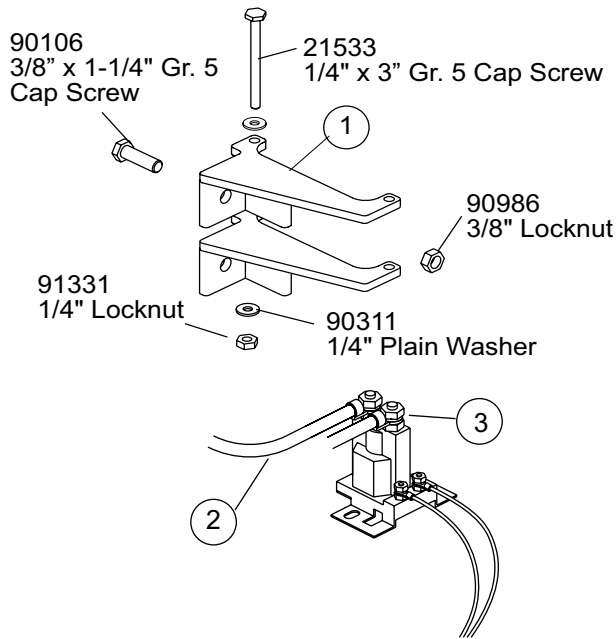
Parts Box .....	2
Hose Routing and Cylinder Components .....	3
Bolt Bags and Cylinder Parts .....	4
Hydraulic Unit Assembly .....	6

#### Insta-Act Hydraulic Kit Parts List

9825, 9835, 9840-1 Insta-Act Hydraulic Kits				
Part #	Description	Quantities		
		9825	9835	9840-1
22160	Hydraulic Unit 2500 PSI	1	1	
22155	Hydraulic Unit 4000 PSI			1
A5096	1-1/2" x 6" Cylinder Assy	1		
A3463	2" x 10" Cylinder Assy		1	
20116K	1-1/2" x 10" Cylinder Assy (NPTF Port/Packing Nut)	2		
A5166K	2" x 16" Cylinder Assy		2	
20117K	1-1/2" x 12" Cylinder Assy			2
56600K	1-1/2" x 10" Cylinder Assy (SAE O-Ring/Gland Nut)			1
66815	Parts Box Assy 9825	1		
66817	Parts Box Assy 9835		1	
56619	Parts Box Assy 9840-1			1
21727-1	Breather – 3/8 NPT	1	1	1
21294	Plow Cable Assy	1		1
63411	Vehicle Cable Assy	1		1
26359	Plow Control Harness	1		1
26345	Vehicle Control Harness	1		1
8291	Plug Cover	1		1

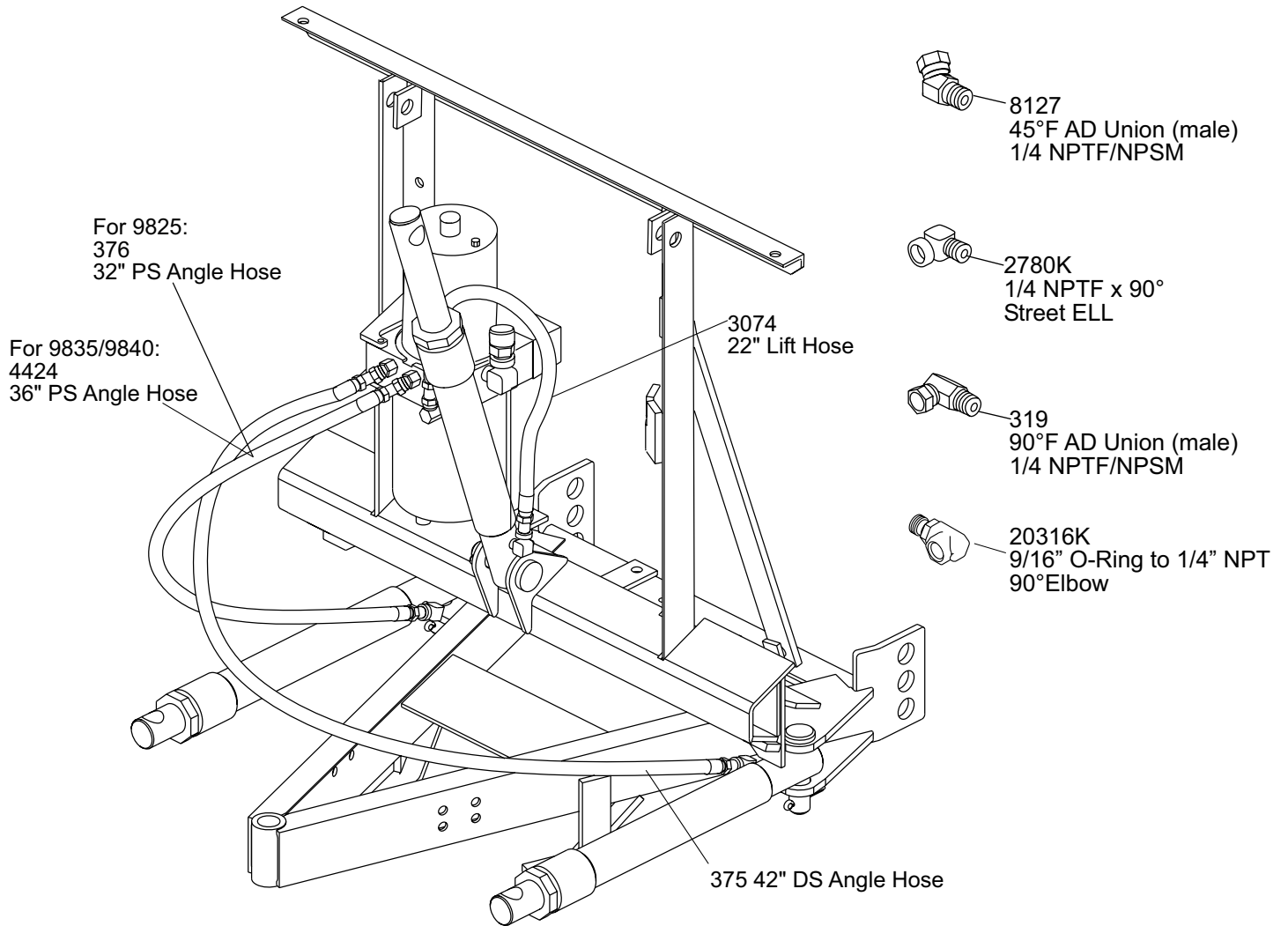
# 9825, 9835, 9840-1

## 66777 – Mounting Bracket Service Kit



Parts Box Assemblies					
Ref #	Part #	Description	Quantities		
			66815 (in 9825 kit)	66817 (in 9835 kit)	56619 (in 9840-1 kit)
1	21577	Mounting Bracket	2	2	2
-	66777	Mounting Bracket Kit	1	1	1
2	22511	Battery Cable, 22" Red	1	1	1
3	5794	Motor Relay	1	1	1
ns	8284	Cable Boot	1	1	1
ns	61169	Vehicle Cable Assy		1	
-	375	High Pressure Hose 1/4" x 42" (NPTF Ends)	1	1	1
-	4424	High Pressure Hose 1/4" x 36" (NPTF Ends)		1	1
-	376	High Pressure Hose 1/4" x 32" (NPTF Ends)	1		
-	3074	High Pressure Hose 1/4" x 22" (NPTF Ends)	1	1	1
4	56526	Panel Mount Set (Long & Short)	1		1
5	8290	Panel Mount Set (Long)		1	
6	8325	Panel Mount Set (Short)		1	
ns	63120	Bolt Bag for 9825	1		
ns	63121	Bolt Bag for 9835		1	
ns	56618	Bolt Bag for 9840-1			1
ns	21294	Plow Cable Assembly		1	
ns = not shown					

### Hose Routing



**9825, 9835, 9840-1**

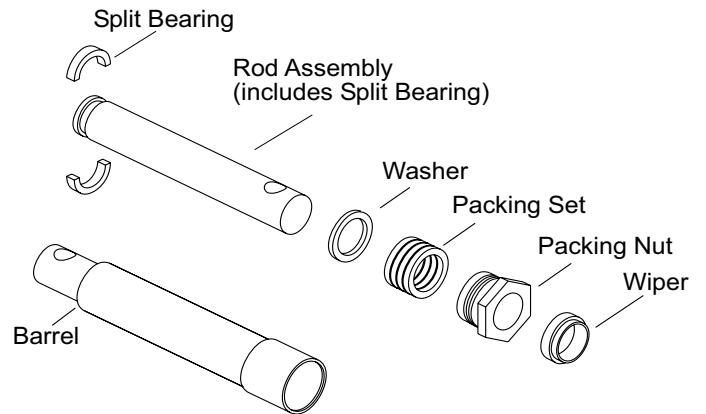
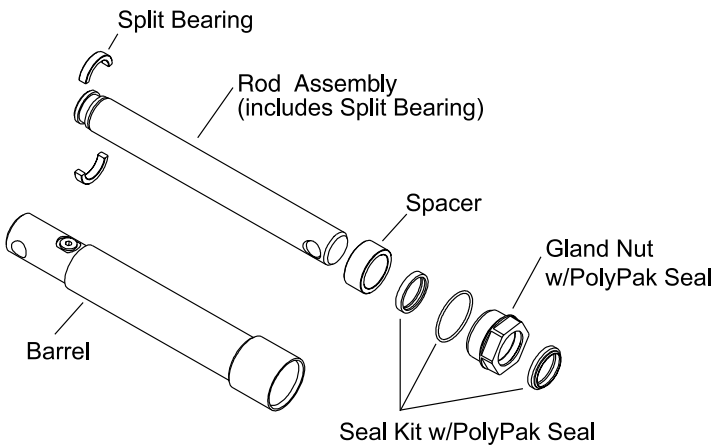
<b>Bolt Bag Assemblies</b>				
<b>Part #</b>	<b>Description</b>	<b>Quantities</b>		
		<b>63120</b> <small>(in 9825 kit)</small>	<b>63121</b> <small>(in 9835 kit)</small>	<b>56618</b> <small>(in 9840-1 kit)</small>
8737	Bolt Bag Assy	1	1	1
2780K	1/4 NPTF x 90 Street ELL	3	3	2
319	90F AD Union (male) 1/4 NPTF/ NPSM	1	1	1
8127	45F AD Union (male) 1/4 NPTF/ NPSM	2	2	2
3666	Cable Tie - Black 3/16" x 8"	6	6	6
8324	Cable Tie - Black 3/16" x 14"	8	8	8
8329K	Dielectric Grease Tube	1	1	1
90601	1/4" x 1-1/2" Cotter Pin	6		6
90013	1/4" x 2" Cotter Pin		6	
90311	1/4" Flat Washer	4	4	4
6814	1" x 3-5/16" Clevis Pin	2	2	2
6816	1" x 4" Clevis Pin	4		2
22260	1" x 4-3/4" Clevis Pin			2
20790	Commercial Cylinder Pin		4	
21533	1/4-20 x 3" Cap Screw	2	2	2
90350	1/4-20 Locknut	2	2	2
90106	3/8"-16 x 1-1/4" Cap Screw	2	2	2
90986	3/8"-16 Locknut	2	2	2
21726	3/8 NPT 90-Deg Street ELL	1	1	1
20316K	9/16" O-Ring to 1/4" NPT 90° Elbow			1
8741	Boot Bracket	1	1	1

Cylinder Kit Parts List						
Part #	20116K	20117K	A5166K	A3463	A5096	56600K
Description	1-1/2" x 10" Cylinder Assy *	1-1/2" x 12" Cylinder Assy	2" x 16" Cylinder Assy	2" x 10" Cylinder Assy	1-1/2" x 6" Cylinder Assy	1-1/2" x 10" Cylinder Assy**
Barrel	N/A	N/A	6996	N/A	5757	56602
Split Bearing	20118	20118	6997	6997	20118	20118K
Rod Assembly	20618	20601	6995	3626	21824	26981
Washer	338	338	3621	3621	338	
Packing Set	339K	339K	3623	3623	339K	
Packing Nut	5763	5763	6998	6998	5763	
Wiper	341	341K	3624	3624	341K	
Spacer						56537
Gland Nut						56579
PolyPak Seal Kit						56556
*NPT Port/ Packing Nut    ** O-Ring Port/ Gland Nut						

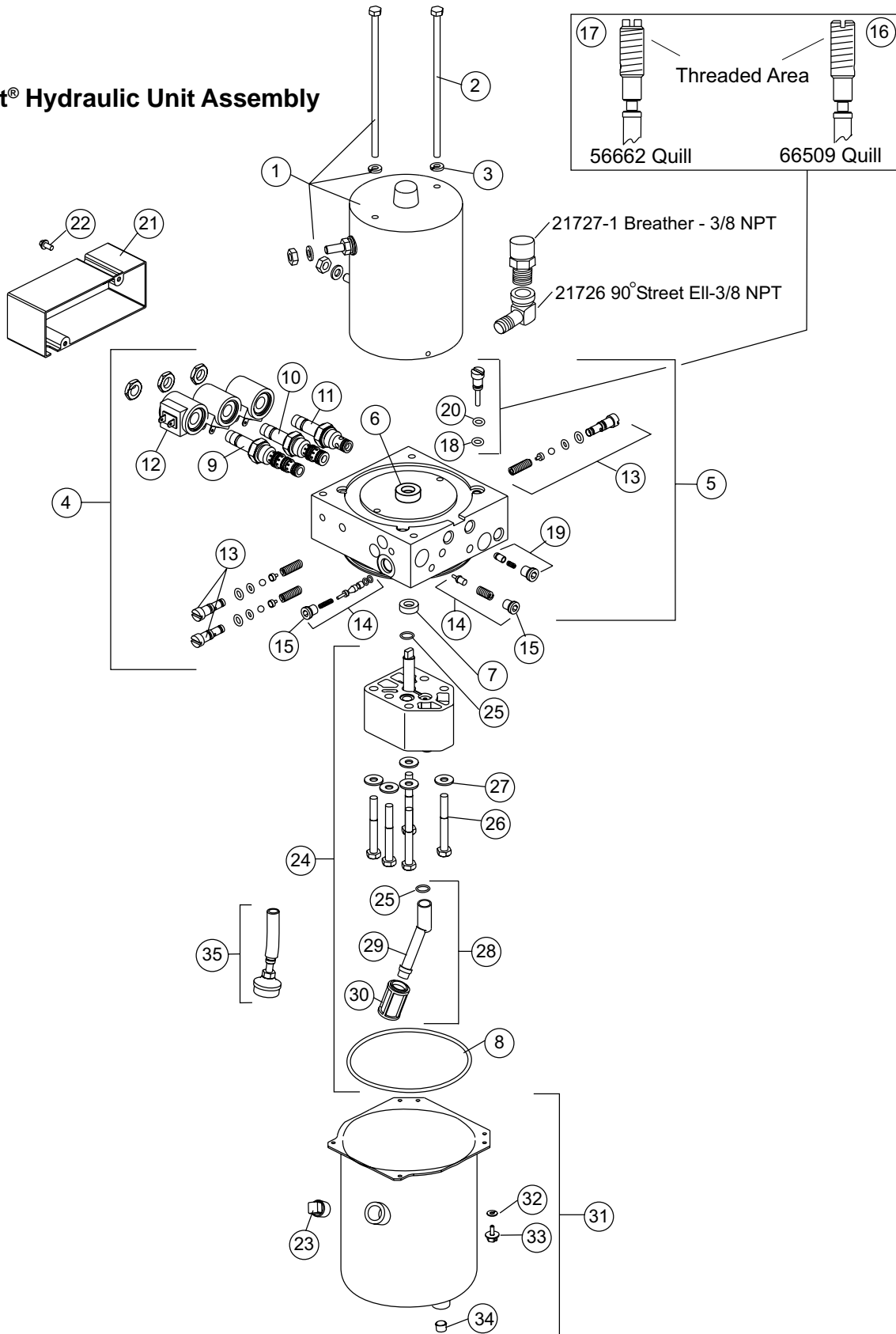
### Cylinder Components

**Cylinder Equipped w/  
O-ring Port/Gland Nut**

**Cylinder Equipped w/  
NPT Port/Packing Nut**



Insta-Act® Hydraulic Unit Assembly



22160 & 22155 Insta-Act® Hydraulic Unit Parts List					
Ref #	Part #	Description	Quantities		
			22160 (in 9825 kit)	22160 (in 9835 kit)	22155 (in 9840-1kit)
1	21500K	Motor Assembly	1	1	1
2	21508	1/4"-20 x 6-1/4 Cap Screw	2	2	2
3	91031	1/4" EX Tooth Lock Washer	2	2	2
4	22147	Valve Manifold Assy 2500	1	1	
	21499	Valve Manifold Assy 4000			1
5	22150	Valve Manifold 2500	1	1	
	21534	Valve Manifold 4000			1
6	21535	5/8" Fiber Thrust Washer	1	1	1
7	66515	Pump Shaft Seal	1	1	1
8	66519	O-Ring 2-250	1	1	1
9	7637K	Cartridge 40-with Jam Nut	1	1	1
10	66608	Cartridge 31-with Jam Nut	1	1	1
11	7634K	Cartridge 20-with Jam Nut	1	1	1
12	7639K	Coil with Spade Terminals	3	3	3
13	7629K	Cushion Valve Repair Kit - Set	3	3	3
14	7630K	Poppet Check Valve Kit	1	1	1
15	7625	3/8"-24 Hex Socket O-Ring Boss Plug	2	2	2
16	66509	Quill Assy – FS/IA–Full Thread	1	1	1
17	56662	Quill Assy – FS/IA–Partial Thread	1	1	1
18	25622	O-Ring - 006	1	1	1
19	56507	Bypass Check Valve Kit	1	1	1
20	7633	Back-Up Ring-006 Parbak Split	1	1	1
21	21394	Cover Assembly	1	1	1
22	90650	Cover Screw	2	2	2
23	7621	Plug 3/8 NPTF SQ	1	1	1
24	21501K	Hyd Pump Kit	1	1	1
25	56274	O-Ring - 013	2	2	2
26	90313	5/16" Flat Washer	5	5	5
27	90080	5/16"-18 x 2-1/2 Cap Screw	5	5	5
28	66763	Pick-up Tube Parts Bag	1	1	1
29	56484	Inlet Fitting - Plastic	1	1	1
30	7053K	Suction Filter	1	1	1
31	21830	Reservoir Kit	1	1	1
32	90989	#10 Lock Washer	4	4	4
33	66607	#10-24 Slotted Hex Washer-Head MS	4	4	4
34	92095	1/4" NPT Hex Socket Drain Plug	1	1	1
35	66405	Return Screen Assembly	1	1	1
ns	7632K	Back-up/O-Ring Kit	1	1	1
ns	21548	Brush Kit - Bosch One Terminal	1	1	1
ns	7635	Seal Kit - Cartridge 20	1	1	1
ns	7638	Seal Kit - Cartridge 30,31,33,40 & 43	1	1	1

ns = not shown

<b>8737 – Small Bolt Bag Assembly</b>					
<b>Part #</b>	<b>Qty</b>	<b>Description</b>	<b>Part #</b>	<b>Qty</b>	<b>Description</b>
8737	1	Bolt Bag Assy	91055	1	M6-1.00 x 25 Cap Screw
5048	1	1/4 Fully Insulated Blade	91056	1	M6-1.00 Nut
21306	1	.187 Insulated Receptacle	91057	1	M6 Flat Washer
21307	1	.250 Insulated Receptacle	90311	2	1/4 Flat Washer
21308	1	Fuse Tap - .250 Tab	90360	2	5/16" Lock Washer
21309	1	Fuse Tap - .187 Tab	90657	2	#10 Lock Washer
3042	1	Rubber Grommet	90673	2	#10 Nut
90350	2	1/4"-20 Locknut	90672	2	5/16-24 Jam Nut
90461	2	1/4"-20 x 3/4" Cap Screw			

<b>7632K – Back-Up/O-Ring Kit</b>					
<b>Part #</b>	<b>Qty</b>	<b>Description</b>	<b>Part #</b>	<b>Qty</b>	<b>Description</b>
56416	1	O-Ring - 014	55371	5	O-Ring - 008
56274	1	O-Ring - 013	25622	2	O-Ring - 006
25730	2	O-Ring - 012	66628	1	Backup Ring - 008
66627	1	O-Ring - 011	56315	2	Backup Ring - 006
25731	4	O-Ring - 010	66519	1	O-Ring 2-250

Copyright © 2000 Douglas Dynamics. L.L.C. All rights reserved. This material may not be reproduced or copied, in whole or in part, in any printed, mechanical, electronic, film or other distribution and storage media, without the written consent of Fisher Engineering. Authorization to photocopy items for internal or personal use by Fisher Engineering outlets is granted.

Fisher Engineering reserves the right under its product improvement policy to change construction or design details and furnish equipment when so altered without reference to illustrations or specifications used herein. Fisher Engineering and the vehicle manufacturer may require and/or recommend optional equipment for snow removal. Fisher Engineering offers a limited warranty for all snowplows and accessories. See separately printed page for this important information. The following are registered (®) trademarks of Douglas Dynamics, L.L.C.: FISHER®, Insta-Act®

**Printed in USA**