



**Fisher Engineering**

P.O. Box 529 Rockland, Maine 04841

**22240  
RD or HD**

March 4, 2002  
Lit. No. 22228

# Headgear Kit for "RD" or "HD" Blades Parts List and Diagrams

## Table Of Contents

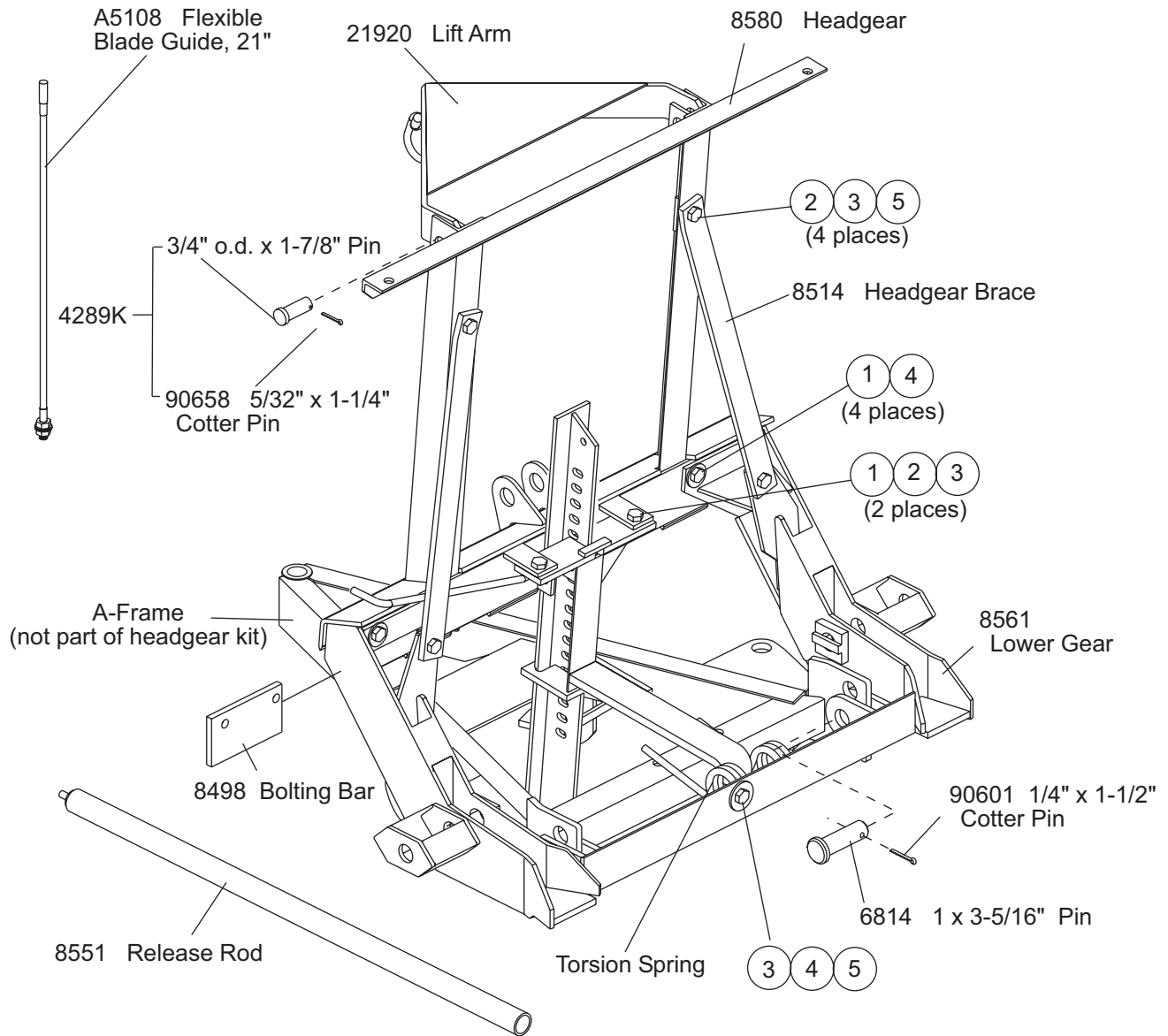
Headgear Assembly .....	2
Headgear Bolt Bag Parts List .....	2
Connecting Pin .....	3
Jack Leg and Support .....	3
Torsion Spring .....	3

### Headgear Parts List

22240 Headgear Kit					
Part #	Qty Req	Description	Part #	Qty Req	Description
8561	1	Lower Gear	22196	1	Bolt Bag
8580	1	Headgear	95231	1	Small Parts Kit , 22240
8514	2	Headgear Brace	<b>95231 Small Parts Kit</b>		
21920	1	Lift Arm	8499	1	Jack Lever
20487	1	Jack Support	20244	1	Torsion Spring Stop Kit
20490	1	Jack Leg	20182	1	Torsion Spring
8551	1	Release Rod	8498	2	Bolting Bar
			A5108	2	Flexible Blade Guide, 21"

**22240**  
**RD or HD**

**Headgear Assembly**

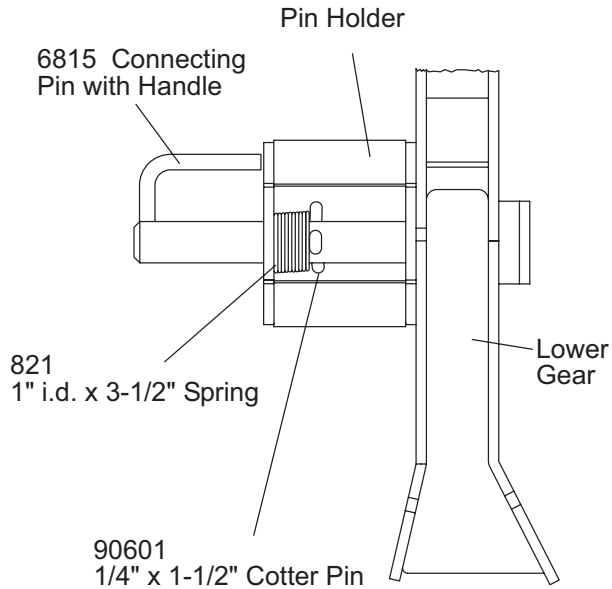


Bolt Bag - 22196							
Ref #	Part #	Qty Req	Description	Ref #	Part #	Qty Req	Description
ns	6815	2	Connecting Pin w/Handle	ns	90334	2	3/8-16 Nut
-	*	2	3/4" o.d. x 1-7/8" Pin	ns	90352	2	3/8-16 Locknut
-	90658	3	5/32" x 1-1/4" Cotter Pin	1	90575	7	1/2-13 x 1-1/4" Gr. 5 Cap Screw
-	90601	4	1/4" x 1-1/2" Cotter Pin	2	90364	7	1/2" Lock Washer
-	6814	2	1" o.d. x 3-5/16" Clevis Pin	3	90337	7	1/2-13 Nut
ns	8173	1	Jack Handle	4	90572	5	1/2" Gr. 8 Flat Washer
ns	7794	1	Spring - 1/2" o.d. x 2"	5	90210	5	1/2-13 x 1-1/2" Gr. 5 Cap Screw
ns	821	2	Spring - 1" i.d. x 3-1/2"	ns	*	1	3/8-16 U-Bolt
ns	90361	1	3/8" Lock Washer				

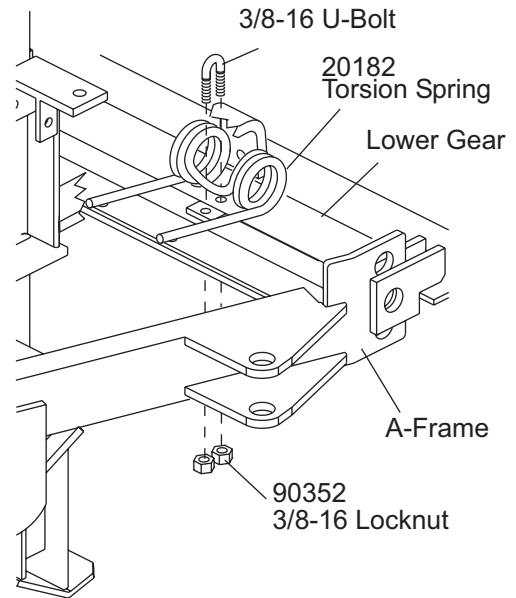
\* available as part of service kit only

ns = not shown

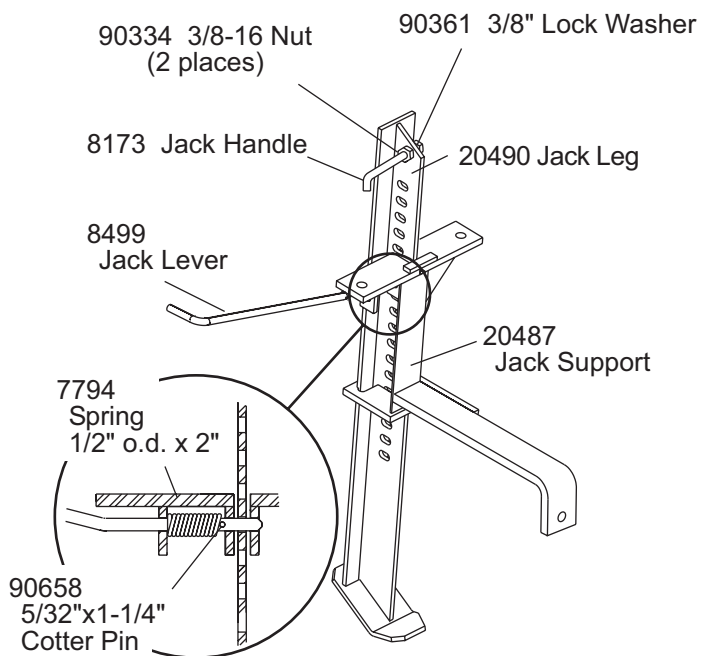
**Connecting Pin Assembly – 6920K**



**Torsion Spring Kit – 20185**



**Jack Leg and Support**



Torsion Spring Kit – 20185			
Ref #	Part #	Qty	Description
-	20182	1	Torsion Spring
-	*	1	3/8-16 U-Bolt
-	90352	2	3/8-16 Locknut
ns	20183	1	Tab
ns	*	1	Gusset
* available as part of service kit only			

Connecting Pin Assembly Kit – 6920K			
Ref #	Part #	Qty	Description
-	6815	2	Connecting Pin with Handle
-	821	2	1" i.d. x 3-1/2" Spring
-	90601	2	1/4" x 1-1/2" Cotter Pin

# 22240

## RD or HD

---

Copyright © 2002 Douglas Dynamics, L.L.C. All rights reserved. This material may not be reproduced or copied, in whole or in part, in any printed, mechanical, electronic, film or other distribution and storage media, without the written consent of Fisher Engineering. Authorization to photocopy items for internal or personal use by Fisher Engineering outlets is granted.

Fisher Engineering reserves the right under its product improvement policy to change construction or design details and furnish equipment when so altered without reference to illustrations or specifications used herein. Fisher Engineering and the vehicle manufacturer may require and/or recommend optional equipment for snow removal. Fisher Engineering offers a limited warranty for all snowplows and accessories. See separately printed page for this important information. The following are registered (®) trademarks of Douglas Dynamics, L.L.C.: EZ-V®, FISHER®

---

Printed in USA