



FISHER® Snowplows w/4-Port Isolation Module

Kit Selection Guide 1996 & Prior Model Years



May 1, 2006
Lit. No. 22457
Rev. 132

Fisher Engineering
P.O. Box 529
Rockland, Maine 04841

This document supersedes all editions with an earlier date.

** THIS IS THE FINAL 1996 & PRIOR KIT SELECTION GUIDE FOR USE WITH THE 4-PORT ISOLATION MODULE ELECTRICAL SYSTEM.
NO FURTHER UPDATES WILL BE PROVIDED FOR THIS GUIDE. **

Table of Contents

| | | | |
|--------------------------------------|----|-----------------------------------|----|
| General Information | 3 | Headlamp Reference Guide | 21 |
| Selection Example | 4 | Snowplow Component Weights | 22 |
| General Motors Attachment Kits | 5 | Snowplow Weight Calculation | 23 |
| Ford Attachment Kits | 12 | Ballast Inquiry Sheet | 24 |
| Dodge Attachment Kits | 16 | Footnote Key | 25 |
| International Attachment Kits | 20 | | |

| Abbreviation Key | | | |
|------------------|---------------------------------------|------|------------------------------------|
| (2L) | Two-Lamp Light System | KSG | Kit Selection Guide |
| (4L) | Four-Lamp Light System | LD | Light Duty |
| 2WD | Two Wheel Drive | M/C | Municipal / Commercial |
| 4WS | Four Wheel Steering (Option Code NYS) | MM | Minute Mount [®] System |
| ABS | Anti-Locking Braking System | MM2 | Minute Mount [®] 2 System |
| AC | Air Conditioning | MS | Mild Steel |
| ALT | Alternator | PEC | Peculiar |
| AT | Automatic Transmission | RD | Regular Duty |
| Cg | Center of Gravity | SEHP | Solenoid Electric Hydraulic Pak |
| D.I. | Direct Injection | SS | Stainless Steel |
| DRL | Daytime Running Lamps | SUV | Sport Utility Vehicle |
| DRW | Dual Rear Wheel | W/ | With |
| FGAWR | Front Gross Axle Weight Rating | W/O | Without |
| GAWR | Gross Axle Weight Rating | W/WO | With or Without |
| GVWR | Gross Vehicle Weight Rating | WB | Wheelbase |
| HD | Heavy Duty | X | XBLADE™ Snowplow |
| HYD | Hydraulic | | |

FISHER® Snowplows Kit Selection Guide – 1996 & Prior Model Years

⚠ WARNING

New untitled vehicle installation of a snowplow requires National Highway Traffic Safety Administration altered vehicle certification labeling. Installer to verify that selected snowplow and ballast, if required, do not exceed GVWR or GAWR rating label and complies with FMVSS.

⚠ WARNING

Do not exceed GVWR or GAWR, including blade and ballast. The rating label is found on the driver-side vehicle door cornerpost.

General Information

The *Kit Selection Guide (KSG)* is designed to help you determine the appropriate snowplow components for a particular snowplow vehicle application. The information published in this guide is based on Federal Motor Vehicle Safety Standards (FMVSS) and a "representative" snowplow vehicle as defined in this guide. The vehicle includes a combined weight of 300 lbs for occupants in the front seat location.

This *KSG* is for specific model year vehicles only and is listed on the front cover of this guide. This guide should be saved for future reference. New kit selection guides will be published for the upcoming model year and so on. The instructions on page 4 explain how to use the *Kit Selection Guide*.

The "Representative Vehicle"

Knowing that today's snowplow vehicles come in a variety of sizes and configurations (such as wheel base, engine size, and handling packages), Fisher Engineering has defined a "representative vehicle" that contains the options most likely to appear on a typical snowplow application. The "representative vehicle" includes the following options:

- 4X4 Drivetrain (unless noted)
- Spare Tire & Wheel
- Automatic Transmission
- Rear Bumper
- Air Conditioning
- Full Fluids

NOTE: If the vehicle in question does not match a vehicle listing in the *Kit Selection Guide*, or has options that differ from the "Representative Vehicle" as defined earlier, the ballast inquiry sheet must be filled out and submitted in order to determine plow availability and correct ballast amounts to maintain FMVSS compliance. Completed vehicle at no time shall exceed GVWR or GAWR.

Ballast

When ballast is required it must be secured behind the rear wheels in a manner which prevents it from sliding during normal driving. Ballast shall not exceed 1000 lbs.

Fisher Engineering offers an optional ballast retainer kit (62849) for this purpose.

NOTE: The Universal Attachment Kit is recommended for vehicles with a minimum of 5,000 pounds FGAWR only. Vehicles shall be rated between 14,000 and 27,500 GVWR for 9' MC and 10' MC snowplow installations. Snowplow and ballast or second unit bodies must comply with vehicle manufacturer's stated maximum gross vehicle weight (GVWR) and axle weight (GAWR) ratings. Vehicles must measure minimum of 22.5" from road to bottom of front frame for proper installation. Ballast Inquiry Sheet, if completed in full, can be faxed to (207) 596-2767 for assistance in snowplow and ballast recommendations. Weights for all snowplow products can be found in the current *Kit Selection Guide*. Snowplow headlamp kit must conform to vehicle lamp type.

Selection Example: Acme Motors 15000 RS with Minute Mount® 2 System

- Go to the section for the appropriate manufacturer.
- Go to the subsection for the desired snowplow type:
 - Section 1:** Regular-duty blades (Homesteader™ through M-Series snowplows)
 - Section 2:** Commercial blades (XBLADE™ through MC-Series snowplows)
- Start at the left-most column, find the **model, year** and appropriate configuration for the vehicle. In this case, 1996 model year, single rear wheels.
- Locate the **peculiar light kit** for this vehicle: 8438. See Headlamp Reference Guide in the back of the *Kit Selection Guide* for more information.
- Locate the **peculiar attachment kit** for this vehicle: 1503 for Homesteader™ system or 7138 for Minute Mount® 2 system. Refer to any footnotes concerning conditions or requirements. For this example, the Minute Mount 2 system is selected and has three footnotes: 1, 2 and 32. A complete list of footnotes is available in the back of this guide.
- Locate the acceptable **blades** at the top of the table. Three short dashes (—) indicate an invalid application. A question mark (?) indicates a ballast inquiry sheet must be completed.
- For this example, there are four acceptable blades. Choose the 8' HD M. A ballast inquiry sheet must be completed to determine the appropriate amount of ballast.
- To order components for a complete snowplow package, read down from the top of the selected blade column to determine the part numbers. Be sure to select *one* control, either joystick or hand-held. For this example, the part numbers would be:
 - 28000 (blade)
 - 27777 (common attachment / headgear kit)
 - n/a (A-frame)
 - 9840-2 (hydraulic kit)
 - 8435 (common light kit)
 - 8292 or 9400 (control)
 - 8438 (peculiar light kit, from Step 4)
 - 7138 (peculiar attachment kit, from Step 5 – *must match blade*)

1996 & Prior Acme Motors

Section 1 of 2 Homesteader™ through HD blades

| Model | Year | Body Style | DRW | Box Option | Engine Type | Min F G A W R | Min R G A W R | Min G V W R | Peculiar Light Kit | Personal Plow system | | MM2 system | | Ballast Guidelines, lbs (1) | | | | | | |
|----------|------|------------|-----|------------|-------------|---------------|---------------|-------------|--------------------|----------------------|-------|------------------|-------|-----------------------------|------|---|---|---|---|-----|
| | | | | | | | | | | Peculiar Att.Kit | Notes | Peculiar Att.Kit | Notes | Ballast Guidelines, lbs (1) | | | | | | |
| 15000 RS | 1994 | All | No | All | All | All | All | All | HB3/HB4 use 8438 | 1503 | 8 | ? | ? | 7138 | 2,32 | ? | ? | ? | ? | --- |
| 15000 RS | 1995 | All | No | All | All | All | All | All | HB3/HB4 use 8438 | 1503 | 8 | ? | ? | 7138 | 2,32 | ? | ? | ? | ? | --- |
| 15000 RS | 1996 | All | No | All | All | All | All | All | HB3/HB4 use 8438 | 1503 | 8 | ? | ? | 7138 | 2,32 | ? | ? | ? | ? | --- |

| Homesteader | | 6'-8" | 7'-4" |
|--------------------------------------------------|--|----------|----------|
| Blade Length | | 6'-8" | 7'-4" |
| Blade Assembly | | Personal | Personal |
| Blade Part Number | | 27547 | 27549 |
| Common Attachment Kit / Headgear Kit | | 27550 | 27550 |
| A-Frame Kit | | n/a | n/a |
| Hydraulic Kit | | 27517 | 27517 |
| Common Light | | 8435 | |
| Choose a Hand-Held Control or a Joystick Control | | 9400 | |
| | | 8292 | |

| Minute Mount 2 | | | | |
|----------------|--------------|---------|--------------|--------|
| 7'-1/2' LD | 7'-1/2' RD M | 8' HD M | 8'-1/2' HD M | 9' |
| 27775 | 27500 | 28000 | 28500 | 29000 |
| 27750-1 | 27777 | 27777 | 27777 | 27777 |
| n/a | n/a | n/a | n/a | n/a |
| 9825-1 | 9840-2 | 9840-2 | 9840-2 | 9840-2 |
| 8435 | | | | |
| 9400 | | | | |
| 8292 | | | | |

- Notes:**
- Ballast amounts are based on a "Representative Vehicle," defined in the vehicle selection guide instructions, and must be modified for all other configurations for axle and GVWR compliance.
 - Recommended snowplow prep package whenever available.

- These Snowplows Are For Personal/Homeowner Use Only.
- Not for use on extended cab vehicles with diesel engines.

1996 & Prior General Motors

Section 1 of 2

Homesteader™ through HD blades



| | | |
|--------------------------------------------------|----------|----------|
| Blade Length | 6'-8" | 7'-4" |
| Blade Assembly | Personal | Personal |
| Blade Part Number | 27547 | 27549 |
| Common Attachment Kit / Headgear Kit | 27550 | 27550 |
| A-Frame Kit | n/a | n/a |
| Hydraulic Kit | 27517 | 27517 |
| Common Light | 8435 | |
| | 9400 | |
| Choose a Hand-Held Control or a Joystick Control | 8292 | |



| | | | | |
|-----------|-------------|---------|-------------|---------|
| 7-1/2' LD | 7-1/2' RD M | 8' HD M | 8-1/2' HD M | 9' HD M |
| 27775 | 27500 | 28000 | 28500 | 29000 |
| 27750-1 | 27777 | 27777 | 27777 | 27777 |
| n/a | n/a | n/a | n/a | n/a |
| 9825-1 | 9840-2 | 9840-2 | 9840-2 | 9840-2 |
| | | 8435 | | |
| | | 9400 | | |
| | | 8292 | | |

| Model | Year | Body Style | DRW | Box Option | Engine Type | Min F G A W R | Min R G A W R | Min G V W R | Peculiar Light Kit | Personal Plow system | | Ballast Guidelines, lbs (1) | | | | MM2 system | | Ballast Guidelines, lbs (1) | | | | | |
|--------------------------|------|------------|-----|------------|-------------|---------------|---------------|-------------|---------------------------------------|----------------------------------------------------|-------|-----------------------------|-----|------|------|------------------|-------|-----------------------------|-----|-----|-----|-----|-----|
| | | | | | | | | | | Peculiar Att.Kit | Notes | | | | | Peculiar Att.Kit | Notes | | | | | | |
| S-10/SONOMA | 1995 | All | No | All | All | All | All | All | 2E use 8439 | 1503 | 8,16 | ? | ? | n/a | --- | --- | --- | --- | --- | --- | --- | --- | |
| S-10/SONOMA | 1996 | All | No | All | All | All | All | All | & 27968 or HB3/HB4 use 8438 | 1503 | 8,16 | ? | ? | n/a | --- | --- | --- | --- | --- | --- | --- | --- | |
| BLAZER/JIMMY | 1995 | All | No | All | All | All | All | All | | 1503 | 8,16 | ? | ? | n/a | --- | --- | --- | --- | --- | --- | --- | --- | |
| BLAZER/JIMMY | 1996 | All | No | All | All | All | All | All | | 1503 | 8,16 | ? | ? | n/a | --- | --- | --- | --- | --- | --- | --- | --- | |
| BLAZER/JIMMY (FULL SIZE) | 1973 | All | No | All | All | All | All | All | 2B use 8439 or 1A/2A use 8436 & 26641 | n/a | --- | --- | --- | 7129 | --- | ? | ? | --- | --- | --- | --- | --- | |
| BLAZER/JIMMY (FULL SIZE) | 1974 | All | No | All | All | All | All | All | | n/a | --- | --- | --- | --- | 7129 | --- | ? | ? | --- | --- | --- | --- | --- |
| BLAZER/JIMMY (FULL SIZE) | 1975 | All | No | All | All | All | All | All | | n/a | --- | --- | --- | --- | 7129 | --- | ? | ? | --- | --- | --- | --- | --- |
| BLAZER/JIMMY (FULL SIZE) | 1976 | All | No | All | All | All | All | All | | n/a | --- | --- | --- | --- | 7129 | --- | ? | ? | --- | --- | --- | --- | --- |
| BLAZER/JIMMY (FULL SIZE) | 1977 | All | No | All | All | All | All | All | | n/a | --- | --- | --- | --- | 7129 | --- | ? | ? | --- | --- | --- | --- | --- |
| BLAZER/JIMMY (FULL SIZE) | 1978 | All | No | All | All | All | All | All | | n/a | --- | --- | --- | --- | 7129 | --- | ? | ? | --- | --- | --- | --- | --- |
| BLAZER/JIMMY (FULL SIZE) | 1979 | All | No | All | All | All | All | All | | n/a | --- | --- | --- | --- | 7129 | --- | ? | ? | --- | --- | --- | --- | --- |
| BLAZER/JIMMY (FULL SIZE) | 1980 | All | No | All | All | All | All | All | | n/a | --- | --- | --- | --- | 7129 | --- | ? | ? | --- | --- | --- | --- | --- |
| BLAZER/JIMMY (FULL SIZE) | 1981 | All | No | All | All | All | All | All | | n/a | --- | --- | --- | --- | 7129 | --- | ? | ? | --- | --- | --- | --- | --- |
| BLAZER/JIMMY (FULL SIZE) | 1982 | All | No | All | All | All | All | All | | n/a | --- | --- | --- | --- | 7129 | --- | ? | ? | --- | --- | --- | --- | --- |
| BLAZER/JIMMY (FULL SIZE) | 1983 | All | No | All | All | All | All | All | | n/a | --- | --- | --- | --- | 7129 | --- | ? | ? | --- | --- | --- | --- | --- |
| BLAZER/JIMMY (FULL SIZE) | 1984 | All | No | All | All | All | All | All | | 2B use 8439 or LF/UF n/a or 1A/2A use 8436 & 26641 | n/a | --- | --- | --- | 7129 | --- | ? | ? | --- | --- | --- | --- | --- |
| BLAZER/JIMMY (FULL SIZE) | 1985 | All | No | All | All | All | All | All | n/a | | --- | --- | --- | --- | 7129 | --- | ? | ? | --- | --- | --- | --- | --- |
| BLAZER/JIMMY (FULL SIZE) | 1986 | All | No | All | All | All | All | All | n/a | | --- | --- | --- | --- | 7129 | --- | ? | ? | --- | --- | --- | --- | --- |
| BLAZER/JIMMY (FULL SIZE) | 1987 | All | No | All | All | All | All | All | n/a | | --- | --- | --- | --- | 7129 | --- | ? | ? | --- | --- | --- | --- | --- |
| BLAZER/JIMMY (FULL SIZE) | 1988 | All | No | All | All | All | All | All | n/a | | --- | --- | --- | --- | 7129 | --- | ? | ? | --- | --- | --- | --- | --- |
| BLAZER/JIMMY (FULL SIZE) | 1989 | All | No | All | All | All | All | All | n/a | | --- | --- | --- | --- | 7129 | --- | ? | ? | --- | --- | --- | --- | --- |
| BLAZER/JIMMY (FULL SIZE) | 1990 | All | No | All | All | All | All | All | n/a | | --- | --- | --- | --- | 7129 | --- | ? | ? | --- | --- | --- | --- | --- |
| BLAZER/JIMMY (FULL SIZE) | 1991 | All | No | All | All | All | All | All | n/a | | --- | --- | --- | --- | 7129 | --- | ? | ? | --- | --- | --- | --- | --- |
| BLAZER (FULL SIZE) | 1992 | All | No | All | All | All | All | All | 2B use 8439 or HB3/HB4 use 8438 | | n/a | --- | --- | --- | 7138 | 2,535 | ? | ? | --- | --- | --- | --- | --- |
| BLAZER (FULL SIZE) | 1993 | All | No | All | All | All | All | All | | | n/a | --- | --- | --- | --- | 7138 | 2,535 | ? | ? | --- | --- | --- | --- |
| BLAZER (FULL SIZE) | 1994 | All | No | All | All | All | All | All | n/a | | --- | --- | --- | --- | 7138 | 2,535 | ? | ? | --- | --- | --- | --- | --- |
| 1/2 TON SUBURBAN (1500) | 1973 | All | No | All | All | All | All | All | 2B use 8439 or 1A/2A use 8436 & 26641 | | n/a | --- | --- | --- | 7129 | --- | ? | ? | --- | --- | --- | --- | --- |
| 1/2 TON SUBURBAN (1500) | 1974 | All | No | All | All | All | All | All | | n/a | --- | --- | --- | --- | 7129 | --- | ? | ? | --- | --- | --- | --- | --- |
| 1/2 TON SUBURBAN (1500) | 1975 | All | No | All | All | All | All | All | | n/a | --- | --- | --- | --- | 7129 | --- | ? | ? | --- | --- | --- | --- | --- |
| 1/2 TON SUBURBAN (1500) | 1976 | All | No | All | All | All | All | All | | n/a | --- | --- | --- | --- | 7129 | --- | ? | ? | --- | --- | --- | --- | --- |
| 1/2 TON SUBURBAN (1500) | 1977 | All | No | All | All | All | All | All | | n/a | --- | --- | --- | --- | 7129 | --- | ? | ? | --- | --- | --- | --- | --- |
| 1/2 TON SUBURBAN (1500) | 1978 | All | No | All | All | All | All | All | | n/a | --- | --- | --- | --- | 7129 | --- | ? | ? | --- | --- | --- | --- | --- |
| 1/2 TON SUBURBAN (1500) | 1979 | All | No | All | All | All | All | All | | n/a | --- | --- | --- | --- | 7129 | --- | ? | ? | --- | --- | --- | --- | --- |
| 1/2 TON SUBURBAN (1500) | 1980 | All | No | All | All | All | All | All | | n/a | --- | --- | --- | --- | 7129 | --- | ? | ? | --- | --- | --- | --- | --- |
| 1/2 TON SUBURBAN (1500) | 1981 | All | No | All | All | All | All | All | | n/a | --- | --- | --- | --- | 7129 | --- | ? | ? | --- | --- | --- | --- | --- |
| 1/2 TON SUBURBAN (1500) | 1982 | All | No | All | All | All | All | All | | n/a | --- | --- | --- | --- | 7129 | --- | ? | ? | --- | --- | --- | --- | --- |
| 1/2 TON SUBURBAN (1500) | 1983 | All | No | All | All | All | All | All | | n/a | --- | --- | --- | --- | 7129 | --- | ? | ? | --- | --- | --- | --- | --- |

- Notes:**
- Ballast amounts are based on a "Representative Vehicle," defined in the vehicle selection guide instructions, and must be modified for all other configurations for axle and GVWR compliance.
 - Recommended snowplow prep package whenever available.
 - Classic Style Only (2nd # in model # is 0 not 5) example: K10903. Refer to label in glove box for model number. Snowplow prep package recommended when available.
 - These Snowplows Are For Personal/Homeowner Use Only.
 - Not intended for use with High Rider or ZR2 style trucks.
 - Not for use on diesels.

1996 & Prior General Motors

Section 1 of 2

Homesteader™ through HD blades



| | | |
|--------------------------------------------------|----------|----------|
| Blade Length | 6'-8" | 7'-4" |
| Blade Assembly | Personal | Personal |
| Blade Part Number | 27547 | 27549 |
| Common Attachment Kit / Headgear Kit | 27550 | 27550 |
| A-Frame Kit | n/a | n/a |
| Hydraulic Kit | 27517 | 27517 |
| Common Light | 8435 | |
| Choose a Hand-Held Control or a Joystick Control | 9400 | |
| | 8292 | |



| | | | | |
|-----------|-------------|---------|-------------|---------|
| 7-1/2' LD | 7-1/2' RD M | 8' HD M | 8-1/2' HD M | 9' HD M |
| 27775 | 27500 | 28000 | 28500 | 29000 |
| 27750-1 | 27777 | 27777 | 27777 | 27777 |
| n/a | n/a | n/a | n/a | n/a |
| 9825-1 | 9840-2 | 9840-2 | 9840-2 | 9840-2 |
| 8435 | | | | |
| 9400 | | | | |
| 8292 | | | | |

| Model | Year | Body Style | DRW | Box Option | Engine Type | Min F G A W R | Min R G A W R | Min G V W R | Peculiar Light Kit | Personal Plow system | | Ballast Guidelines, lbs (1) | MM2 system | | Ballast Guidelines, lbs (1) | | | | |
|-------------------------|------|------------|-----|------------|-------------|---------------|---------------|-------------|--------------------|----------------------|-------|-----------------------------|------------------|--------|-----------------------------|---|-----|-----|-----|
| | | | | | | | | | | Peculiar Att.Kit | Notes | | Peculiar Att.Kit | Notes | ? | ? | ? | ? | ? |
| 1/2 TON SUBURBAN (1500) | 1984 | All | No | All | All | All | All | All | 2B use 8439 | n/a | --- | --- | 7129 | --- | ? | ? | --- | --- | --- |
| 1/2 TON SUBURBAN (1500) | 1985 | All | No | All | All | All | All | All | or 1A/2A | n/a | --- | --- | 7129 | --- | ? | ? | --- | --- | --- |
| 1/2 TON SUBURBAN (1500) | 1986 | All | No | All | All | All | All | All | use 8436 & 26641 | n/a | --- | --- | 7129 | --- | ? | ? | --- | --- | --- |
| 1/2 TON SUBURBAN (1500) | 1987 | All | No | All | All | All | All | All | | n/a | --- | --- | 7129 | --- | ? | ? | --- | --- | --- |
| 1/2 TON SUBURBAN (1500) | 1988 | All | No | All | All | All | All | All | 2B use 8439 | n/a | --- | --- | 7129 | --- | ? | ? | --- | --- | --- |
| 1/2 TON SUBURBAN (1500) | 1989 | All | No | All | All | All | All | All | or LF/UF n/a | n/a | --- | --- | 7129 | --- | ? | ? | --- | --- | --- |
| 1/2 TON SUBURBAN (1500) | 1990 | All | No | All | All | All | All | All | or 1A/2A | n/a | --- | --- | 7129 | --- | ? | ? | --- | --- | --- |
| 1/2 TON SUBURBAN (1500) | 1991 | All | No | All | All | All | All | All | use 8436 & 26641 | n/a | --- | --- | 7129 | --- | ? | ? | --- | --- | --- |
| 1/2 TON SUBURBAN (1500) | 1992 | All | No | All | All | All | All | All | | n/a | --- | --- | 7138 | 2,5,32 | ? | ? | --- | --- | --- |
| 1/2 TON SUBURBAN (1500) | 1993 | All | No | All | All | All | All | All | 2B use 8439 | n/a | --- | --- | 7138 | 2,5,32 | ? | ? | --- | --- | --- |
| 1/2 TON SUBURBAN (1500) | 1994 | All | No | All | All | All | All | All | or HB3/HB4 | n/a | --- | --- | 7138 | 2,5,32 | ? | ? | --- | --- | --- |
| 1/2 TON SUBURBAN (1500) | 1995 | All | No | All | All | All | All | All | use 8438 | n/a | --- | --- | 7138 | 2,5,32 | ? | ? | --- | --- | --- |
| 1/2 TON SUBURBAN (1500) | 1996 | All | No | All | All | All | All | All | | n/a | --- | --- | 7138 | 2,5,32 | ? | ? | --- | --- | --- |
| 3/4 TON SUBURBAN (2500) | 1973 | All | No | All | All | All | All | All | | n/a | --- | --- | 7129 | --- | ? | ? | --- | --- | --- |
| 3/4 TON SUBURBAN (2500) | 1974 | All | No | All | All | All | All | All | | n/a | --- | --- | 7129 | --- | ? | ? | --- | --- | --- |
| 3/4 TON SUBURBAN (2500) | 1975 | All | No | All | All | All | All | All | | n/a | --- | --- | 7129 | --- | ? | ? | --- | --- | --- |
| 3/4 TON SUBURBAN (2500) | 1976 | All | No | All | All | All | All | All | | n/a | --- | --- | 7129 | --- | ? | ? | --- | --- | --- |
| 3/4 TON SUBURBAN (2500) | 1977 | All | No | All | All | All | All | All | | n/a | --- | --- | 7129 | --- | ? | ? | --- | --- | --- |
| 3/4 TON SUBURBAN (2500) | 1978 | All | No | All | All | All | All | All | | n/a | --- | --- | 7129 | --- | ? | ? | --- | --- | --- |
| 3/4 TON SUBURBAN (2500) | 1979 | All | No | All | All | All | All | All | 2B use 8439 | n/a | --- | --- | 7129 | --- | ? | ? | --- | --- | --- |
| 3/4 TON SUBURBAN (2500) | 1980 | All | No | All | All | All | All | All | or 1A/2A | n/a | --- | --- | 7129 | --- | ? | ? | --- | --- | --- |
| 3/4 TON SUBURBAN (2500) | 1981 | All | No | All | All | All | All | All | use 8436 & 26641 | n/a | --- | --- | 7129 | --- | ? | ? | --- | --- | --- |
| 3/4 TON SUBURBAN (2500) | 1982 | All | No | All | All | All | All | All | | n/a | --- | --- | 7129 | --- | ? | ? | --- | --- | --- |
| 3/4 TON SUBURBAN (2500) | 1983 | All | No | All | All | All | All | All | | n/a | --- | --- | 7129 | --- | ? | ? | --- | --- | --- |
| 3/4 TON SUBURBAN (2500) | 1984 | All | No | All | All | All | All | All | | n/a | --- | --- | 7129 | --- | ? | ? | --- | --- | --- |
| 3/4 TON SUBURBAN (2500) | 1985 | All | No | All | All | All | All | All | | n/a | --- | --- | 7129 | --- | ? | ? | --- | --- | --- |
| 3/4 TON SUBURBAN (2500) | 1986 | All | No | All | All | All | All | All | | n/a | --- | --- | 7129 | --- | ? | ? | --- | --- | --- |
| 3/4 TON SUBURBAN (2500) | 1987 | All | No | All | All | All | All | All | | n/a | --- | --- | 7129 | --- | ? | ? | --- | --- | --- |
| 3/4 TON SUBURBAN (2500) | 1988 | All | No | All | All | All | All | All | 2B use 8439 | n/a | --- | --- | 7129 | --- | ? | ? | --- | --- | --- |
| 3/4 TON SUBURBAN (2500) | 1989 | All | No | All | All | All | All | All | or LF/UF n/a | n/a | --- | --- | 7129 | --- | ? | ? | --- | --- | --- |
| 3/4 TON SUBURBAN (2500) | 1990 | All | No | All | All | All | All | All | or 1A/2A | n/a | --- | --- | 7129 | --- | ? | ? | --- | --- | --- |
| 3/4 TON SUBURBAN (2500) | 1991 | All | No | All | All | All | All | All | use 8436 & 26641 | n/a | --- | --- | 7129 | --- | ? | ? | --- | --- | --- |
| 3/4 TON SUBURBAN (2500) | 1992 | All | No | All | All | All | All | All | | n/a | --- | --- | 7125 | 2,5 | --- | ? | ? | --- | --- |
| 3/4 TON SUBURBAN (2500) | 1993 | All | No | All | All | All | All | All | 2B use 8439 | n/a | --- | --- | 7125 | 2,5 | --- | ? | ? | --- | --- |
| 3/4 TON SUBURBAN (2500) | 1994 | All | No | All | All | All | All | All | or HB3/HB4 | n/a | --- | --- | 7125 | 2,5 | --- | ? | ? | --- | --- |
| 3/4 TON SUBURBAN (2500) | 1995 | All | No | All | All | All | All | All | use 8438 | n/a | --- | --- | 7125 | 2,5 | --- | ? | ? | --- | --- |
| 3/4 TON SUBURBAN (2500) | 1996 | All | No | All | All | All | All | All | | n/a | --- | --- | 7125 | 2,5 | --- | ? | ? | --- | --- |

Notes:

- Ballast amounts are based on a "Representative Vehicle," defined in the vehicle selection guide instructions, and must be modified for all other configurations for axle and GVWR compliance.
- Recommended snowplow prep package whenever available.
- Classic Style Only (2nd # in model # is 0 not 5) example: K10903. Refer to label in glove box for model number. Snowplow prep package recommended when available.
- Not for use on extended cab vehicles with diesel engines.

1996 & Prior General Motors

Section 1 of 2

Homesteader™ through HD blades



| | | |
|--------------------------------------------------|----------|----------|
| Blade Length | 6'-8" | 7'-4" |
| Blade Assembly | Personal | Personal |
| Blade Part Number | 27547 | 27549 |
| Common Attachment Kit / Headgear Kit | 27550 | 27550 |
| A-Frame Kit | n/a | n/a |
| Hydraulic Kit | 27517 | 27517 |
| Common Light | 8435 | 9400 |
| Choose a Hand-Held Control or a Joystick Control | 9400 | 8292 |



| | | | | |
|-----------|-------------|---------|-------------|---------|
| 7-1/2' LD | 7-1/2' RD M | 8' HD M | 8-1/2' HD M | 9' HD M |
| 27775 | 27500 | 28000 | 28500 | 29000 |
| 27750-1 | 27777 | 27777 | 27777 | 27777 |
| n/a | n/a | n/a | n/a | n/a |
| 9825-1 | 9840-2 | 9840-2 | 9840-2 | 9840-2 |
| 8435 | | | | |
| 9400 | | | | |
| 8292 | | | | |

| Model | Year | Body Style | DRW | Box Option | Engine Type | Min F G A W R | Min R G A W R | Min G V W R | Peculiar Light Kit | Personal Plow system | | Ballast Guidelines, lbs (1) | MM2 system | | Ballast Guidelines, lbs (1) | | | | |
|------------------|------|------------|-----|------------|-------------|---------------|---------------|-------------|----------------------------------------------|----------------------|-------|-----------------------------|------------------|-----------|-----------------------------|---|-----|-----|-----|
| | | | | | | | | | | Peculiar Att.Kit | Notes | | Peculiar Att.Kit | Notes | | | | | |
| SUBURBAN | 1992 | All | No | All | All | All | All | 7200 | | n/a | --- | --- | 7138 | 2,5,35 | --- | ? | --- | --- | --- |
| SUBURBAN | 1993 | All | No | All | All | All | All | 7200 | | n/a | --- | --- | 7138 | 2,5,35 | --- | ? | --- | --- | --- |
| SUBURBAN | 1994 | All | No | All | All | All | All | 7200 | | n/a | --- | --- | 7138 | 2,5,35 | --- | ? | --- | --- | --- |
| SUBURBAN | 1995 | All | No | All | All | All | All | 7200 | | n/a | --- | --- | 7138 | 2,5,35 | --- | ? | --- | --- | --- |
| YUKON | 1992 | All | No | All | All | All | All | All | 2B use 8439 or HB3/HB4 use 8438 | n/a | --- | --- | 7138 | 2,5,32 | ? | ? | --- | --- | --- |
| YUKON | 1993 | All | No | All | All | All | All | All | | n/a | --- | --- | 7138 | 2,5,32 | ? | ? | --- | --- | --- |
| YUKON | 1994 | All | No | All | All | All | All | All | | n/a | --- | --- | 7138 | 2,5,32 | ? | ? | --- | --- | --- |
| YUKON | 1995 | All | No | All | All | All | All | All | | n/a | --- | --- | 7138 | 2,5,32 | ? | ? | --- | --- | --- |
| YUKON | 1996 | All | No | All | All | All | All | All | | n/a | --- | --- | 7138 | 2,5,32 | ? | ? | --- | --- | --- |
| TAHOE | 1995 | All | No | All | All | All | All | All | | n/a | --- | --- | 7138 | 2,5,32 | ? | ? | --- | --- | --- |
| TAHOE | 1996 | All | No | All | All | All | All | All | | n/a | --- | --- | 7138 | 2,5,32 | ? | ? | --- | --- | --- |
| K1500 | 1988 | All | No | All | All | All | All | All | | n/a | --- | --- | 7138 | 2,5,32 | ? | ? | ? | ? | --- |
| K1500 | 1989 | All | No | All | All | All | All | All | | n/a | --- | --- | 7138 | 2,5,32 | ? | ? | ? | ? | --- |
| K1500 | 1990 | All | No | All | All | All | All | All | | n/a | --- | --- | 7138 | 2,5,32 | ? | ? | ? | ? | --- |
| K1500 | 1991 | All | No | All | All | All | All | All | | n/a | --- | --- | 7138 | 2,5,32 | ? | ? | ? | ? | --- |
| K1500 | 1992 | All | No | All | All | All | All | All | | n/a | --- | --- | 7138 | 2,5,32 | ? | ? | ? | ? | --- |
| K1500 | 1993 | All | No | All | All | All | All | All | | n/a | --- | --- | 7138 | 2,5,32 | ? | ? | ? | ? | --- |
| K1500 | 1994 | All | No | All | All | All | All | All | | n/a | --- | --- | 7138 | 2,5,32 | ? | ? | ? | ? | --- |
| K1500 | 1995 | All | No | All | All | All | All | All | | n/a | --- | --- | 7138 | 2,5,32 | ? | ? | ? | ? | --- |
| K1500 | 1996 | All | No | All | All | All | All | All | | n/a | --- | --- | 7138 | 2,5,32 | ? | ? | ? | ? | --- |
| K2500 LIGHT DUTY | 1988 | All | No | All | All | All | All | 7200 | | n/a | --- | --- | 7138 | 2,5,32,35 | --- | ? | ? | ? | --- |
| K2500 LIGHT DUTY | 1989 | All | No | All | All | All | All | 7200 | | n/a | --- | --- | 7138 | 2,5,32,35 | --- | ? | ? | ? | --- |
| K2500 LIGHT DUTY | 1990 | All | No | All | All | All | All | 7200 | 2B use 8439 or HB3/HB4 use 8438 or LF/UF n/a | n/a | --- | --- | 7138 | 2,5,32,35 | --- | ? | ? | ? | --- |
| K2500 LIGHT DUTY | 1991 | All | No | All | All | All | All | 7200 | | n/a | --- | --- | 7138 | 2,5,32,35 | --- | ? | ? | ? | --- |
| K2500 LIGHT DUTY | 1992 | All | No | All | All | All | All | 7200 | | n/a | --- | --- | 7138 | 2,5,32,35 | --- | ? | ? | ? | --- |
| K2500 LIGHT DUTY | 1993 | All | No | All | All | All | All | 7200 | | n/a | --- | --- | 7138 | 2,5,32,35 | --- | ? | ? | ? | --- |
| K2500 LIGHT DUTY | 1994 | All | No | All | All | All | All | 7200 | | n/a | --- | --- | 7138 | 2,5,32,35 | --- | ? | ? | ? | --- |
| K2500 LIGHT DUTY | 1995 | All | No | All | All | All | All | 7200 | | n/a | --- | --- | 7138 | 2,5,32,35 | --- | ? | ? | ? | --- |
| K2500 HEAVY DUTY | 1988 | All | No | All | All | All | All | 8600 | | n/a | --- | --- | 7125 | 2,5,32 | --- | ? | ? | ? | --- |
| K2500 HEAVY DUTY | 1989 | All | No | All | All | All | All | 8600 | | n/a | --- | --- | 7125 | 2,5,32 | --- | ? | ? | ? | --- |
| K2500 HEAVY DUTY | 1990 | All | No | All | All | All | All | 8600 | | n/a | --- | --- | 7125 | 2,5,32 | --- | ? | ? | ? | --- |
| K2500 HEAVY DUTY | 1991 | All | No | All | All | All | All | 8600 | | n/a | --- | --- | 7125 | 2,5,32 | --- | ? | ? | ? | --- |
| K2500 HEAVY DUTY | 1992 | All | No | All | All | All | All | 8600 | | n/a | --- | --- | 7125 | 2,5,32 | --- | ? | ? | ? | --- |
| K2500 HEAVY DUTY | 1993 | All | No | All | All | All | All | 8600 | | n/a | --- | --- | 7125 | 2,5,32 | --- | ? | ? | ? | --- |
| K2500 HEAVY DUTY | 1994 | All | No | All | All | All | All | 8600 | | n/a | --- | --- | 7125 | 2,5,32 | --- | ? | ? | ? | --- |
| K2500 HEAVY DUTY | 1995 | All | No | All | All | All | All | 8600 | | n/a | --- | --- | 7125 | 2,5,32 | --- | ? | ? | ? | --- |
| K2500 HEAVY DUTY | 1996 | All | No | All | All | All | All | 8600 | | n/a | --- | --- | 7125 | 2,5,32 | --- | ? | ? | ? | --- |

- Notes:**
- Ballast amounts are based on a "Representative Vehicle," defined in the vehicle selection guide instructions, and must be modified for all other configurations for axle and GVWR compliance.
 - Recommended snowplow prep package whenever available.

- Classic Style Only (2nd # in model # is 0 not 5) example: K10903. Refer to label in glove box for model number. Snowplow prep package recommended when available.
- Not for use on extended cab vehicles with diesel engines.
- Not for use on diesels.

1996 & Prior General Motors

Section 1 of 2

Homesteader™ through HD blades



| | | |
|--------------------------------------------------|----------|----------|
| Blade Length | 6'-8" | 7'-4" |
| Blade Assembly | Personal | Personal |
| Blade Part Number | 27547 | 27549 |
| Common Attachment Kit / Headgear Kit | 27550 | 27550 |
| A-Frame Kit | n/a | n/a |
| Hydraulic Kit | 27517 | 27517 |
| Common Light | 8435 | |
| Choose a Hand-Held Control or a Joystick Control | 9400 | |
| | 8292 | |



| | | | | |
|-----------|-------------|---------|-------------|---------|
| 7-1/2' LD | 7-1/2' RD M | 8' HD M | 8-1/2' HD M | 9' HD M |
| 27775 | 27500 | 28000 | 28500 | 29000 |
| 27750-1 | 27777 | 27777 | 27777 | 27777 |
| n/a | n/a | n/a | n/a | n/a |
| 9825-1 | 9840-2 | 9840-2 | 9840-2 | 9840-2 |
| 8435 | | | | |
| 9400 | | | | |
| 8292 | | | | |

| Model | Year | Body Style | DRW | Box Option | Engine Type | Min F G A W R | Min R G A W R | Min G V W R | Peculiar Light Kit | Personal Plow system | | Ballast Guidelines, lbs (1) | MM2 system | | Ballast Guidelines, lbs (1) | | | | |
|---------|------|------------|-----|------------|-------------|---------------|---------------|-------------|--------------------|----------------------|-------|-----------------------------|------------------|-------|-----------------------------|-----|-----|-----|-----|
| | | | | | | | | | | Peculiar Att.Kit | Notes | | Peculiar Att.Kit | Notes | | | | | |
| K10,K15 | 1973 | All | No | All | All | All | All | All | | n/a | --- | --- | 7129 | 32 | ? | ? | --- | --- | --- |
| K10,K15 | 1974 | All | No | All | All | All | All | All | | n/a | --- | --- | 7129 | 32 | ? | ? | --- | --- | --- |
| K10,K15 | 1975 | All | No | All | All | All | All | All | | n/a | --- | --- | 7129 | 32 | ? | ? | --- | --- | --- |
| K10,K15 | 1976 | All | No | All | All | All | All | All | | n/a | --- | --- | 7129 | 32 | ? | ? | --- | --- | --- |
| K10,K15 | 1977 | All | No | All | All | All | All | All | | n/a | --- | --- | 7129 | 32 | ? | ? | --- | --- | --- |
| K10,K15 | 1978 | All | No | All | All | All | All | All | | n/a | --- | --- | 7129 | 32 | ? | ? | --- | --- | --- |
| K10,K15 | 1979 | All | No | All | All | All | All | All | | n/a | --- | --- | 7129 | 32 | ? | ? | --- | --- | --- |
| K10,K15 | 1980 | All | No | All | All | All | All | All | | n/a | --- | --- | 7129 | 32 | ? | ? | --- | --- | --- |
| K10,K15 | 1981 | All | No | All | All | All | All | All | | n/a | --- | --- | 7129 | 32 | ? | ? | --- | --- | --- |
| K10,K15 | 1982 | All | No | All | All | All | All | All | | n/a | --- | --- | 7129 | 32 | ? | ? | --- | --- | --- |
| K10,K15 | 1983 | All | No | All | All | All | All | All | | n/a | --- | --- | 7129 | 32 | ? | ? | --- | --- | --- |
| K10,K15 | 1984 | All | No | All | All | All | All | All | | n/a | --- | --- | 7129 | 32 | ? | ? | --- | --- | --- |
| K10,K15 | 1985 | All | No | All | All | All | All | All | | n/a | --- | --- | 7129 | 32 | ? | ? | --- | --- | --- |
| K10,K15 | 1986 | All | No | All | All | All | All | All | | n/a | --- | --- | 7129 | 32 | ? | ? | --- | --- | --- |
| K10,K15 | 1987 | All | No | All | All | All | All | All | | n/a | --- | --- | 7129 | 32 | ? | ? | --- | --- | --- |
| K20,K25 | 1973 | All | No | All | All | All | All | All | | n/a | --- | --- | 7129 | 32 | --- | ? | ? | ? | --- |
| K20,K25 | 1974 | All | No | All | All | All | All | All | | n/a | --- | --- | 7129 | 32 | --- | ? | ? | ? | --- |
| K20,K25 | 1975 | All | No | All | All | All | All | All | | n/a | --- | --- | 7129 | 32 | --- | ? | ? | ? | --- |
| K20,K25 | 1976 | All | No | All | All | All | All | All | | n/a | --- | --- | 7129 | 32 | --- | ? | ? | ? | --- |
| K20,K25 | 1977 | All | No | All | All | All | All | All | | n/a | --- | --- | 7129 | 32 | --- | ? | ? | ? | --- |
| K20,K25 | 1978 | All | No | All | All | All | All | All | | n/a | --- | --- | 7129 | 32 | --- | ? | ? | ? | --- |
| K20,K25 | 1979 | All | No | All | All | All | All | All | | n/a | --- | --- | 7129 | 32 | --- | ? | ? | ? | --- |
| K20,K25 | 1980 | All | No | All | All | All | All | All | | n/a | --- | --- | 7129 | 32 | --- | ? | ? | ? | --- |
| K20,K25 | 1981 | All | No | All | All | All | All | All | | n/a | --- | --- | 7129 | 32 | --- | ? | ? | ? | --- |
| K20,K25 | 1982 | All | No | All | All | All | All | All | | n/a | --- | --- | 7129 | 32 | --- | ? | ? | ? | --- |
| K20,K25 | 1983 | All | No | All | All | All | All | All | | n/a | --- | --- | 7129 | 32 | --- | ? | ? | ? | --- |
| K20,K25 | 1984 | All | No | All | All | All | All | All | | n/a | --- | --- | 7129 | 32 | --- | ? | ? | ? | --- |
| K20,K25 | 1985 | All | No | All | All | All | All | All | | n/a | --- | --- | 7129 | 32 | --- | ? | ? | ? | --- |
| K20,K25 | 1986 | All | No | All | All | All | All | All | | n/a | --- | --- | 7129 | 32 | --- | ? | ? | ? | --- |
| K20,K25 | 1987 | All | No | All | All | All | All | All | | n/a | --- | --- | 7129 | 32 | --- | ? | ? | ? | --- |
| K30,K35 | 1973 | All | No | All | All | All | All | All | | n/a | --- | --- | 7129 | 32 | --- | --- | ? | ? | ? |
| K30,K35 | 1974 | All | No | All | All | All | All | All | | n/a | --- | --- | 7129 | 32 | --- | --- | ? | ? | ? |
| K30,K35 | 1975 | All | No | All | All | All | All | All | | n/a | --- | --- | 7129 | 32 | --- | --- | ? | ? | ? |
| K30,K35 | 1976 | All | No | All | All | All | All | All | | n/a | --- | --- | 7129 | 32 | --- | --- | ? | ? | ? |
| K30,K35 | 1977 | All | No | All | All | All | All | All | | n/a | --- | --- | 7129 | 32 | --- | --- | ? | ? | ? |
| K30,K35 | 1978 | All | No | All | All | All | All | All | | n/a | --- | --- | 7129 | 32 | --- | --- | ? | ? | ? |
| K30,K35 | 1979 | All | No | All | All | All | All | All | | n/a | --- | --- | 7129 | 32 | --- | --- | ? | ? | ? |

2B use 8439 or 1A/2A use 8436 & 26641

- Notes:
- Ballast amounts are based on a "Representative Vehicle," defined in the vehicle selection guide instructions, and must be modified for all other configurations for axle and GVWR compliance.
 - Not for use on extended cab vehicles with diesel engines.

1996 & Prior General Motors

Section 1 of 2

Homesteader™ through HD blades



| | | |
|--------------------------------------------------|----------|----------|
| Blade Length | 6'-8" | 7'-4" |
| Blade Assembly | Personal | Personal |
| Blade Part Number | 27547 | 27549 |
| Common Attachment Kit / Headgear Kit | 27550 | 27550 |
| A-Frame Kit | n/a | n/a |
| Hydraulic Kit | 27517 | 27517 |
| Common Light | 8435 | |
| Choose a Hand-Held Control or a Joystick Control | 9400 | |
| | 8292 | |



| | | | | |
|-----------|-------------|---------|-------------|---------|
| 7-1/2' LD | 7-1/2' RD M | 8' HD M | 8-1/2' HD M | 9' HD M |
| 27775 | 27500 | 28000 | 28500 | 29000 |
| 27750-1 | 27777 | 27777 | 27777 | 27777 |
| n/a | n/a | n/a | n/a | n/a |
| 9825-1 | 9840-2 | 9840-2 | 9840-2 | 9840-2 |
| 8435 | | | | |
| 9400 | | | | |
| 8292 | | | | |

| Model | Year | Body Style | DRW | Box Option | Engine Type | Min FGAWR | Min RGAWR | Min GVWR | Peculiar Light Kit | Personal Plow system | | Ballast Guidelines, lbs (1) | MM2 system | | Ballast Guidelines, lbs (1) | | | | | | |
|-------------------------------|------|------------|-----|------------|-------------|-----------|-----------|----------|----------------------------------------------------|----------------------|-------|-----------------------------|------------------|-------|-----------------------------|--------|-----|-----|---|---|---|
| | | | | | | | | | | Peculiar Att.Kit | Notes | | Peculiar Att.Kit | Notes | | | | | | | |
| K30,K35 | 1980 | All | No | All | All | All | All | All | 2B use 8439 or 1A/2A use 8436 & 26641 | n/a | --- | --- | --- | 7129 | 32 | --- | --- | ? | ? | ? | |
| K30,K35 | 1981 | All | No | All | All | All | All | All | | n/a | --- | --- | --- | 7129 | 32 | --- | --- | ? | ? | ? | |
| K30,K35 | 1982 | All | No | All | All | All | All | All | | n/a | --- | --- | --- | 7129 | 32 | --- | --- | ? | ? | ? | |
| K30,K35 | 1983 | All | No | All | All | All | All | All | | n/a | --- | --- | --- | 7129 | 32 | --- | --- | ? | ? | ? | |
| K30,K35 | 1984 | All | No | All | All | All | All | All | | n/a | --- | --- | --- | 7129 | 32 | --- | --- | ? | ? | ? | |
| K30,K35 | 1985 | All | No | All | All | All | All | All | | n/a | --- | --- | --- | 7129 | 32 | --- | --- | ? | ? | ? | |
| K30,K35 | 1986 | All | No | All | All | All | All | All | | n/a | --- | --- | --- | 7129 | 32 | --- | --- | ? | ? | ? | |
| K30,K35 | 1987 | All | No | All | All | All | All | All | | n/a | --- | --- | --- | 7129 | 32 | --- | --- | ? | ? | ? | |
| V30, V35 W/LEAF SPRINGS | 1988 | All | No | All | All | All | All | All | 2B use 8439 or LF/UF n/a or 1A/2A use 8436 & 26641 | n/a | --- | --- | --- | 7129 | 32 | --- | --- | ? | ? | ? | |
| V30, V35 W/LEAF SPRINGS | 1989 | All | No | All | All | All | All | All | | n/a | --- | --- | --- | 7129 | 32 | --- | --- | ? | ? | ? | |
| K3500 | 1988 | All | No | All | All | All | All | All | 2B use 8439 or HB3/HB4 use 8438 or LF/UF n/a | n/a | --- | --- | --- | 7125 | 2,5,32 | --- | --- | ? | ? | ? | |
| K3500 | 1989 | All | No | All | All | All | All | All | | n/a | --- | --- | --- | 7125 | 2,5,32 | --- | --- | ? | ? | ? | |
| K3500 | 1990 | All | No | All | All | All | All | All | | n/a | --- | --- | --- | 7125 | 2,5,32 | --- | --- | ? | ? | ? | |
| K3500 | 1991 | All | No | All | All | All | All | All | | n/a | --- | --- | --- | 7125 | 2,5,32 | --- | --- | ? | ? | ? | |
| K3500 | 1992 | All | No | All | All | All | All | All | | n/a | --- | --- | --- | 7125 | 2,5,32 | --- | --- | ? | ? | ? | |
| K3500 | 1993 | All | No | All | All | All | All | All | | n/a | --- | --- | --- | 7125 | 2,5,32 | --- | --- | ? | ? | ? | |
| K3500 | 1994 | All | No | All | All | All | All | All | | n/a | --- | --- | --- | 7125 | 2,5,32 | --- | --- | ? | ? | ? | |
| K3500 | 1995 | All | No | All | All | All | All | All | | n/a | --- | --- | --- | 7125 | 2,5,32 | --- | --- | ? | ? | ? | |
| K3500 | 1996 | All | No | All | All | All | All | All | | n/a | --- | --- | --- | 7125 | 2,5,32 | --- | --- | ? | ? | ? | |
| C3500 HD 2WD W/STRAIGHT FRAME | 1991 | All | No | All | All | All | All | All | | 10000 | n/a | --- | --- | --- | 7144 | 2,5,37 | --- | --- | ? | ? | ? |
| C3500 HD 2WD W/STRAIGHT FRAME | 1992 | All | No | All | All | All | All | All | | 10000 | n/a | --- | --- | --- | 7144 | 2,5,37 | --- | --- | ? | ? | ? |
| C3500 HD 2WD W/STRAIGHT FRAME | 1993 | All | No | All | All | All | All | All | 10000 | n/a | --- | --- | --- | 7144 | 2,5,37 | --- | --- | ? | ? | ? | |
| C3500 HD 2WD W/STRAIGHT FRAME | 1994 | All | No | All | All | All | All | All | 10000 | n/a | --- | --- | --- | 7144 | 2,5,37 | --- | --- | ? | ? | ? | |
| C3500 HD 2WD W/STRAIGHT FRAME | 1995 | All | No | All | All | All | All | All | 10000 | n/a | --- | --- | --- | 7144 | 2,5,37 | --- | --- | ? | ? | ? | |
| C3500 HD 2WD W/STRAIGHT FRAME | 1996 | All | No | All | All | All | All | All | 10000 | n/a | --- | --- | --- | 7144 | 2,5,37 | --- | --- | ? | ? | ? | |
| C3500 2WD W/COIL SPRINGS | 1990 | All | No | All | All | All | All | All | 10000 | n/a | --- | --- | --- | 7148 | 2,37 | --- | --- | ? | ? | ? | |
| C3500 2WD W/COIL SPRINGS | 1991 | All | No | All | All | All | All | All | 10000 | n/a | --- | --- | --- | 7148 | 2,37 | --- | --- | ? | ? | ? | |
| C3500 2WD W/COIL SPRINGS | 1992 | All | No | All | All | All | All | All | 10000 | n/a | --- | --- | --- | 7148 | 2,37 | --- | --- | ? | ? | ? | |
| C3500 2WD W/COIL SPRINGS | 1993 | All | No | All | All | All | All | All | 10000 | n/a | --- | --- | --- | 7148 | 2,37 | --- | --- | ? | ? | ? | |
| C3500 2WD W/COIL SPRINGS | 1994 | All | No | All | All | All | All | All | 10000 | n/a | --- | --- | --- | 7148 | 2,37 | --- | --- | ? | ? | ? | |
| C3500 2WD W/COIL SPRINGS | 1995 | All | No | All | All | All | All | All | 10000 | n/a | --- | --- | --- | 7148 | 2,37 | --- | --- | ? | ? | ? | |
| C3500 2WD W/COIL SPRINGS | 1996 | All | No | All | All | All | All | All | 10000 | n/a | --- | --- | --- | 7148 | 2,37 | --- | --- | ? | ? | ? | |

- Notes:**
- Ballast amounts are based on a "Representative Vehicle," defined in the vehicle selection guide instructions, and must be modified for all other configurations for axle and GVWR compliance.
 - Recommended snowplow prep package whenever available.

- Classic Style Only (2nd # in model # is 0 not 5) example: K10903. Refer to label in glove box for model number. Snowplow prep package recommended when available.
- Not for use on extended cab vehicles with diesel engines.
- Requires 5000 lb FGAWR min. for use with diesel engines.

1996 & Prior Ford

Section 1 of 2

Homesteader™ through HD blades



| | | |
|--------------------------------------|----------|----------|
| Blade Length | 6'-8" | 7'-4" |
| Blade Assembly | Personal | Personal |
| Blade Part Number | 27547 | 27549 |
| Common Attachment Kit / Headgear Kit | 27550 | 27550 |
| A-Frame Kit | n/a | n/a |
| Hydraulic Kit | 27517 | 27517 |
| Common Light | 8435 | |
| Choose a Hand-Held Control | 9400 | |
| or a Joystick Control | 8292 | |



| | | | | |
|-----------|-------------|---------|-------------|---------|
| 7-1/2' LD | 7-1/2' RD M | 8' HD M | 8-1/2' HD M | 9' HD M |
| 27775 | 27500 | 28000 | 28500 | 29000 |
| 27750-1 | 27777 | 27777 | 27777 | 27777 |
| n/a | n/a | n/a | n/a | n/a |
| 9825-1 | 9840-2 | 9840-2 | 9840-2 | 9840-2 |
| 8435 | | | | |
| 9400 | | | | |
| 8292 | | | | |

| Model | Year | Body Style | DRW | Box Option | Engine Type | Min F G A W R | Min R G A W R | Min G V W R | Peculiar Light Kit | Personal Plow system | | Ballast Guidelines, lbs (1) | | MM2 system | | Ballast Guidelines, lbs (1) | | | | | | | |
|--------------------|------|------------|-----|------------|-------------|---------------|---------------|-------------|-----------------------------|----------------------|-------|-----------------------------|-------|------------------|----------|-----------------------------|-----|-----|-----|-----|-----|-----|-----|
| | | | | | | | | | | Peculiar Att.Kit | Notes | Peculiar Att.Kit | Notes | Peculiar Att.Kit | Notes | | | | | | | | |
| EXPLORER | 1996 | All | No | All | All | All | All | All | HB5 use 8436 | 1203 | 3,8 | ? | ? | n/a | --- | --- | --- | --- | --- | --- | --- | | |
| BRONCO | 1987 | All | No | All | All | All | All | All | 2B use 8439 or HB1 use 8436 | n/a | --- | --- | --- | 7131 | 20 | ? | ? | --- | --- | --- | --- | | |
| BRONCO | 1988 | All | No | All | All | All | All | All | | n/a | --- | --- | --- | --- | 7131 | 20 | ? | ? | --- | --- | --- | --- | |
| BRONCO | 1989 | All | No | All | All | All | All | All | | n/a | --- | --- | --- | --- | 7131 | 20 | ? | ? | --- | --- | --- | --- | |
| BRONCO | 1990 | All | No | All | All | All | All | All | | n/a | --- | --- | --- | --- | 7131 | 20 | ? | ? | --- | --- | --- | --- | |
| BRONCO | 1991 | All | No | All | All | All | All | All | | n/a | --- | --- | --- | --- | 7131 | 20 | ? | ? | --- | --- | --- | --- | |
| BRONCO | 1992 | All | No | All | All | All | All | All | HB5 use 8436 | n/a | --- | --- | --- | 7126 | 20 | ? | ? | --- | --- | --- | --- | | |
| F150 | 1987 | All | No | All | All | All | All | All | 2B use 8439 or HB1 use 8436 | n/a | --- | --- | --- | 7131 | 20 | ? | ? | ? | ? | ? | ? | --- | |
| F150 | 1988 | All | No | All | All | All | All | All | | n/a | --- | --- | --- | --- | 7131 | 20 | ? | ? | ? | ? | ? | ? | --- |
| F150 | 1989 | All | No | All | All | All | All | All | | n/a | --- | --- | --- | --- | 7131 | 20 | ? | ? | ? | ? | ? | ? | --- |
| F150 | 1990 | All | No | All | All | All | All | All | | n/a | --- | --- | --- | --- | 7131 | 20 | ? | ? | ? | ? | ? | ? | --- |
| F150 | 1991 | All | No | All | All | All | All | All | | n/a | --- | --- | --- | --- | 7131 | 20 | ? | ? | ? | ? | ? | ? | --- |
| F150 | 1992 | All | No | All | All | All | All | All | HB5 use 8436 | n/a | --- | --- | --- | 7126 | 15,20 | ? | ? | ? | ? | ? | ? | --- | |
| F150 | 1993 | All | No | All | All | All | All | All | | n/a | --- | --- | --- | --- | 7126 | 15,20 | ? | ? | ? | ? | ? | ? | --- |
| F150 | 1994 | All | No | All | All | All | All | All | | n/a | --- | --- | --- | --- | 7126 | 15,20 | ? | ? | ? | ? | ? | ? | --- |
| F150 | 1995 | All | No | All | All | All | All | All | | n/a | --- | --- | --- | --- | 7126 | 15,20 | ? | ? | ? | ? | ? | ? | --- |
| F150 | 1996 | All | No | All | All | All | All | All | | n/a | --- | --- | --- | --- | 7126 | 15,20 | ? | ? | ? | ? | ? | ? | --- |
| F250 | 1987 | All | No | All | All | All | All | All | 2B use 8439 or HB1 use 8436 | n/a | --- | --- | --- | 7132 | 20,35 | --- | ? | ? | ? | ? | ? | ? | |
| F250 | 1988 | All | No | All | All | All | All | All | | n/a | --- | --- | --- | --- | 7132 | 20,35 | --- | ? | ? | ? | ? | ? | ? |
| F250 | 1989 | All | No | All | All | All | All | All | | n/a | --- | --- | --- | --- | 7132 | 20,35 | --- | ? | ? | ? | ? | ? | ? |
| F250 | 1990 | All | No | All | All | All | All | All | | n/a | --- | --- | --- | --- | 7132 | 20,35 | --- | ? | ? | ? | ? | ? | ? |
| F250 | 1991 | All | No | All | All | All | All | All | | n/a | --- | --- | --- | --- | 7132 | 20,35 | --- | ? | ? | ? | ? | ? | ? |
| F250HD | 1992 | All | No | All | All | All | All | All | HB5 use 8436 | n/a | --- | --- | --- | 7128 | 20,32,35 | --- | ? | ? | ? | ? | ? | ? | |
| F250HD | 1993 | All | No | All | All | All | All | All | | n/a | --- | --- | --- | --- | 7128 | 20,32,35 | --- | ? | ? | ? | ? | ? | ? |
| F250HD | 1994 | All | No | All | All | All | All | All | | n/a | --- | --- | --- | --- | 7128 | 20,32,35 | --- | ? | ? | ? | ? | ? | ? |
| F250HD | 1995 | All | No | All | All | All | All | All | | n/a | --- | --- | --- | --- | 7128 | 20,32,35 | --- | ? | ? | ? | ? | ? | ? |
| F250HD | 1996 | All | No | All | All | All | All | All | | n/a | --- | --- | --- | --- | 7128 | 20,32,35 | --- | ? | ? | ? | ? | ? | ? |
| F250HD W/ SUPERCAB | 1995 | All | No | All | All | All | All | All | n/a | --- | --- | --- | --- | 7128 | 20,35 | --- | ? | ? | ? | ? | ? | ? | |
| F250HD W/ SUPERCAB | 1996 | All | No | All | All | All | All | All | n/a | --- | --- | --- | --- | 7128 | 20,35 | --- | ? | ? | ? | ? | ? | ? | |

- Notes:**
- Ballast amounts are based on a "Representative Vehicle," defined in the vehicle selection guide instructions, and must be modified for all other configurations for axle and GVWR compliance.
 - Requires bumper notching.
 - These Snowplows Are For Personal/Homeowner Use Only.
 - Not for use on trucks with quad shocks.

- Recommended with optional heavy duty front suspension package only - (F150 3800 lbs., F250 4600 lbs., F350 4X4 4800 lbs., F350 2WD 4000 lbs.).
- Not for use on extended cab vehicles with diesel engines.
- Not for use on diesels.

1996 & Prior Ford

Section 1 of 2

Homesteader™ through HD blades



| | | |
|--------------------------------------------------|----------|----------|
| Blade Length | 6'-8" | 7'-4" |
| Blade Assembly | Personal | Personal |
| Blade Part Number | 27547 | 27549 |
| Common Attachment Kit / Headgear Kit | 27550 | 27550 |
| A-Frame Kit | n/a | n/a |
| Hydraulic Kit | 27517 | 27517 |
| Common Light | 8435 | |
| Choose a Hand-Held Control or a Joystick Control | 9400 | |
| | 8292 | |



| | | | | |
|-----------|-------------|---------|-------------|---------|
| 7-1/2' LD | 7-1/2' RD M | 8' HD M | 8-1/2' HD M | 9' HD M |
| 27775 | 27500 | 28000 | 28500 | 29000 |
| 27750-1 | 27777 | 27777 | 27777 | 27777 |
| n/a | n/a | n/a | n/a | n/a |
| 9825-1 | 9840-2 | 9840-2 | 9840-2 | 9840-2 |
| 8435 | | | | |
| 9400 | | | | |
| 8292 | | | | |

| Model | Year | Body Style | DRW | Box Option | Engine Type | Min F G A W R | Min R G A W R | Min G V W R | Peculiar Light Kit | Personal Plow system | | Ballast Guidelines, lbs (1) | MM2 system | | Ballast Guidelines, lbs (1) | | | | |
|-------------|------|------------|-----|------------|-------------|---------------|---------------|-------------|-----------------------------|----------------------|-------|-----------------------------|------------------|-------|-----------------------------|---|---|---|--|
| | | | | | | | | | | Peculiar Att.Kit | Notes | | Peculiar Att.Kit | Notes | | | | | |
| F350 | 1987 | All | No | All | All | All | All | All | | n/a | --- | --- | --- | --- | --- | ? | ? | ? | |
| F350 | 1988 | All | No | All | All | All | All | All | 2B use 8439 or HB1 use 8436 | n/a | --- | --- | --- | --- | --- | ? | ? | ? | |
| F350 | 1989 | All | No | All | All | All | All | All | | n/a | --- | --- | --- | --- | --- | ? | ? | ? | |
| F350 | 1990 | All | No | All | All | All | All | All | | n/a | --- | --- | --- | --- | --- | ? | ? | ? | |
| F350 | 1991 | All | No | All | All | All | All | All | | n/a | --- | --- | --- | --- | --- | ? | ? | ? | |
| F350 2WD | 1992 | All | No | All | All | All | All | 10000 | | n/a | --- | --- | --- | --- | --- | ? | ? | ? | |
| F350 2WD | 1993 | All | No | All | All | All | All | 10000 | | n/a | --- | --- | --- | --- | --- | ? | ? | ? | |
| F350 2WD | 1994 | All | No | All | All | All | All | 10000 | | n/a | --- | --- | --- | --- | --- | ? | ? | ? | |
| F350 2WD | 1995 | All | No | All | All | All | All | 10000 | | n/a | --- | --- | --- | --- | --- | ? | ? | ? | |
| F350 2WD | 1996 | All | No | All | All | All | All | 10000 | | n/a | --- | --- | --- | --- | --- | ? | ? | ? | |
| F350 4X4 | 1992 | All | No | All | All | All | All | All | | n/a | --- | --- | --- | --- | --- | ? | ? | ? | |
| F350 4X4 | 1993 | All | No | All | All | All | All | All | HB5 use 8436 | n/a | --- | --- | --- | --- | --- | ? | ? | ? | |
| F350 4X4 | 1994 | All | No | All | All | All | All | All | | n/a | --- | --- | --- | --- | --- | ? | ? | ? | |
| F350 4X4 | 1995 | All | No | All | All | All | All | All | | n/a | --- | --- | --- | --- | --- | ? | ? | ? | |
| F350 4X4 | 1996 | All | No | All | All | All | All | All | | n/a | --- | --- | --- | --- | --- | ? | ? | ? | |
| F-SUPERDUTY | 1992 | All | No | All | All | All | All | 10000 | | n/a | --- | --- | --- | --- | --- | ? | ? | ? | |
| F-SUPERDUTY | 1993 | All | No | All | All | All | All | 10000 | | n/a | --- | --- | --- | --- | --- | ? | ? | ? | |
| F-SUPERDUTY | 1994 | All | No | All | All | All | All | 10000 | | n/a | --- | --- | --- | --- | --- | ? | ? | ? | |
| F-SUPERDUTY | 1995 | All | No | All | All | All | All | 10000 | | n/a | --- | --- | --- | --- | --- | ? | ? | ? | |
| F-SUPERDUTY | 1996 | All | No | All | All | All | All | 10000 | | n/a | --- | --- | --- | --- | --- | ? | ? | ? | |



- Notes:**
- Ballast amounts are based on a "Representative Vehicle," defined in the vehicle selection guide instructions, and must be modified for all other configurations for axle and GVWR compliance.
 - Recommended with optional heavy duty front suspension package only - (F150 3800 lbs., F250 4600 lbs., F350 4X4 4800 lbs., F350 2WD 4000 lbs.).

- Not for use on diesels.
- Requires 5000 lb FGAWR min. for use with diesel engines.

1996 & Prior Ford

Section 2 of 2

XBLADE™ through MC blades

|  | | | | | | | | | | | |  | | |
|-------------------------------------------------------------------------------------|--------|--------|--------|--------|--------|--------|--------|--------|--------|--------|---------|-------------------------------------------------------------------------------------|--------|--------|
| Blade Length | 7-1/2' | 7-1/2' | 8' | 8' | 8-1/2' | 8-1/2' | 9' | 9' | 8-1/2' | 9-1/2' | 9' | 10' | 9' | 10' |
| Blade Assembly | X SS | X MS | X SS | X MS | X SS | X MS | X SS | X MS | EZ-V® | EZ-V | MC | MC | MC | MC |
| Blade Part Number | 27510 | 27512 | 28100 | 28200 | 28510 | 28520 | 29100 | 29200 | 28885 | 28895 | 27250 | 27350 | 27250 | 27350 |
| Common Attachment Kit / Headgear Kit | 28900 | 27777 | 28900 | 27777 | 28900 | 27777 | 28900 | 27777 | 28888 | 28888 | 29999 | 29999 | 27255 | 27255 |
| A-Frame Kit | n/a | n/a | n/a | n/a | n/a | n/a | n/a | n/a | n/a | n/a | 27255-1 | 27255-1 | 27255 | 27255 |
| Hydraulic Kit | 9840-2 | 9840-2 | 9840-2 | 9840-2 | 9840-2 | 9840-2 | 9840-2 | 9840-2 | 9828-4 | 9828-4 | 9835-1 | 9835-1 | 9835-1 | 9835-1 |
| Common Light | 8435 | | | | | | | | | | | | 8435 | |
| Choose a Hand-Held Control or a new Hand-Held Control or a Joystick Control | 9400 | | | | | | | | 9700 | | 9400 | | 9400 | |
| | n/a | | | | | | | | 9800 | | n/a | | n/a | |
| | 8292 | | | | | | | | 9900 | | 8292 | | 8292 | |

| Model | Year | Body Style | DRW | Box Option | Engine Type | Min F G A W R | Min R G A W R | Min G V W R | Peculiar Light Kit | MM2 system | | Ballast Guidelines, lbs (1) | | | | | | | | | | Ballast Guidelines, lbs (1) | | | | |
|----------------------|------|------------|-----|------------|-------------|---------------|---------------|-------------|------------------------------|------------------|-------|-----------------------------|-----|-----|-----|-----|-----|-----|-----|-----|-----|-----------------------------|---|---|---|---|
| | | | | | | | | | | Peculiar Att.Kit | Notes | | | | | | | | | | | | | | | |
| F700, F800 | 1985 | Chassis | Yes | Chassis | All | All | All | 10000 | | 7152-1 | 39 | --- | --- | --- | --- | --- | --- | --- | --- | --- | --- | --- | ? | ? | ? | ? |
| F700, F800 | 1986 | Chassis | Yes | Chassis | All | All | All | 10000 | | 7152-1 | 39 | --- | --- | --- | --- | --- | --- | --- | --- | --- | --- | --- | ? | ? | ? | ? |
| F700, F800 | 1987 | Chassis | Yes | Chassis | All | All | All | 10000 | | 7152-1 | 39 | --- | --- | --- | --- | --- | --- | --- | --- | --- | --- | --- | ? | ? | ? | ? |
| F700, F800 | 1988 | Chassis | Yes | Chassis | All | All | All | 10000 | | 7152-1 | 39 | --- | --- | --- | --- | --- | --- | --- | --- | --- | --- | --- | ? | ? | ? | ? |
| F700, F800 | 1989 | Chassis | Yes | Chassis | All | All | All | 10000 | | 7152-1 | 39 | --- | --- | --- | --- | --- | --- | --- | --- | --- | --- | --- | ? | ? | ? | ? |
| F700, F800 | 1990 | Chassis | Yes | Chassis | All | All | All | 10000 | 2B/2D use 8439 & 26640 | 7152-1 | 39 | --- | --- | --- | --- | --- | --- | --- | --- | --- | --- | --- | ? | ? | ? | ? |
| F700, F800 | 1991 | Chassis | Yes | Chassis | All | All | All | 10000 | | 7152-1 | 39 | --- | --- | --- | --- | --- | --- | --- | --- | --- | --- | --- | ? | ? | ? | ? |
| F700, F800 | 1992 | Chassis | Yes | Chassis | All | All | All | 10000 | | 7152-1 | 39 | --- | --- | --- | --- | --- | --- | --- | --- | --- | --- | --- | ? | ? | ? | ? |
| F700, F800 | 1993 | Chassis | Yes | Chassis | All | All | All | 10000 | | 7152-1 | 39 | --- | --- | --- | --- | --- | --- | --- | --- | --- | --- | --- | ? | ? | ? | ? |
| F700, F800 | 1994 | Chassis | Yes | Chassis | All | All | All | 10000 | | 7152-1 | 39 | --- | --- | --- | --- | --- | --- | --- | --- | --- | --- | --- | ? | ? | ? | ? |
| F700, F800 | 1995 | Chassis | Yes | Chassis | All | All | All | 10000 | | 7152-1 | 39 | --- | --- | --- | --- | --- | --- | --- | --- | --- | --- | --- | ? | ? | ? | ? |
| F700, F800 | 1996 | Chassis | Yes | Chassis | All | All | All | 10000 | | 7152-1 | 39 | --- | --- | --- | --- | --- | --- | --- | --- | --- | --- | --- | ? | ? | ? | ? |
| F700, F800 (Low Pro) | 1996 | Chassis | Yes | Chassis | All | All | All | 10000 | | 7156-1 | 27 | --- | --- | --- | --- | --- | --- | --- | --- | --- | --- | --- | ? | ? | ? | ? |

Notes:
 1. Ballast amounts are based on a "Representative Vehicle," defined in the vehicle selection guide instructions, and must be modified for all other configurations for axle and GVWR compliance.
 27. Universal Kit. Custom installation required. 27,500 Max. GVWR. Minimum 22.5" from road to vehicle frame.
 39. 27,500 max GVWR.

1996 & Prior Dodge

Section 1 of 2

Homesteader™ through HD blades



| | | |
|--------------------------------------------------|----------|----------|
| Blade Length | 6'-8" | 7'-4" |
| Blade Assembly | Personal | Personal |
| Blade Part Number | 27547 | 27549 |
| Common Attachment Kit / Headgear Kit | 27550 | 27550 |
| A-Frame Kit | n/a | n/a |
| Hydraulic Kit | 27517 | 27517 |
| Common Light | 8435 | |
| Choose a Hand-Held Control or a Joystick Control | 9400 | |
| | 8292 | |



| | | | | |
|-----------|-------------|---------|-------------|---------|
| 7-1/2' LD | 7-1/2' RD M | 8' HD M | 8-1/2' HD M | 9' HD M |
| 27775 | 27500 | 28000 | 28500 | 29000 |
| 27750-1 | 27777 | 27777 | 27777 | 27777 |
| n/a | n/a | n/a | n/a | n/a |
| 9825-1 | 9840-2 | 9840-2 | 9840-2 | 9840-2 |
| 8435 | | | | |
| 9400 | | | | |
| 8292 | | | | |

| Model | Year | Body Style | DRW | Box Option | Engine Type | Min F G A W R | Min R G A W R | Min G V W R | Peculiar Light Kit | Personal Plow system | | Ballast Guidelines, lbs (1) | MM2 system | | Ballast Guidelines, lbs (1) | | | | | | |
|----------------------|------|------------|-----|------------|-------------|---------------|---------------|-------------|------------------------------------------|----------------------|-------|-----------------------------|------------------|-------|-----------------------------|-----|-----|-----|-----|-----|-----|
| | | | | | | | | | | Peculiar Att.Kit | Notes | | Peculiar Att.Kit | Notes | | | | | | | |
| DAKOTA | 1991 | All | No | All | All | All | All | All | 2E use 8439 & 27968 or HB1 use 8436 | n/a | --- | --- | --- | 7130 | 2 | ? | --- | --- | --- | --- | |
| DAKOTA | 1992 | All | No | All | All | All | All | All | | n/a | --- | --- | --- | --- | 7130 | 2 | ? | --- | --- | --- | --- |
| DAKOTA | 1993 | All | No | All | All | All | All | All | | n/a | --- | --- | --- | --- | 7130 | 2 | ? | --- | --- | --- | --- |
| DAKOTA | 1994 | All | No | All | All | All | All | All | | n/a | --- | --- | --- | --- | 7130 | 2 | ? | --- | --- | --- | --- |
| DAKOTA | 1995 | All | No | All | All | All | All | All | | n/a | --- | --- | --- | --- | 7130 | 2 | ? | --- | --- | --- | --- |
| DAKOTA | 1996 | All | No | All | All | All | All | All | | n/a | --- | --- | --- | --- | 7130 | 2 | ? | --- | --- | --- | --- |
| W100/150, RAMCHARGER | 1972 | All | No | All | All | All | All | All | | n/a | --- | --- | --- | --- | 7124 | 2 | ? | ? | --- | --- | --- |
| W100/150, RAMCHARGER | 1973 | All | No | All | All | All | All | All | | n/a | --- | --- | --- | --- | 7124 | 2 | ? | ? | --- | --- | --- |
| W100/150, RAMCHARGER | 1974 | All | No | All | All | All | All | All | | n/a | --- | --- | --- | --- | 7124 | 2 | ? | ? | --- | --- | --- |
| W100/150, RAMCHARGER | 1975 | All | No | All | All | All | All | All | | n/a | --- | --- | --- | --- | 7124 | 2 | ? | ? | --- | --- | --- |
| W100/150, RAMCHARGER | 1976 | All | No | All | All | All | All | All | | n/a | --- | --- | --- | --- | 7124 | 2 | ? | ? | --- | --- | --- |
| W100/150, RAMCHARGER | 1977 | All | No | All | All | All | All | All | | n/a | --- | --- | --- | --- | 7124 | 2 | ? | ? | --- | --- | --- |
| W100/150, RAMCHARGER | 1978 | All | No | All | All | All | All | All | | n/a | --- | --- | --- | --- | 7124 | 2 | ? | ? | --- | --- | --- |
| W100/150, RAMCHARGER | 1979 | All | No | All | All | All | All | All | | n/a | --- | --- | --- | --- | 7124 | 2 | ? | ? | --- | --- | --- |
| W100/150, RAMCHARGER | 1980 | All | No | All | All | All | All | All | | n/a | --- | --- | --- | --- | 7124 | 2 | ? | ? | --- | --- | --- |
| W100/150, RAMCHARGER | 1981 | All | No | All | All | All | All | All | n/a | --- | --- | --- | --- | 7124 | 2 | ? | ? | --- | --- | --- | |
| W100/150, RAMCHARGER | 1982 | All | No | All | All | All | All | All | n/a | --- | --- | --- | --- | 7124 | 2 | ? | ? | --- | --- | --- | |
| W100/150, RAMCHARGER | 1983 | All | No | All | All | All | All | All | n/a | --- | --- | --- | --- | 7124 | 2 | ? | ? | --- | --- | --- | |
| W100/150, RAMCHARGER | 1984 | All | No | All | All | All | All | All | 2B/2D use 8439 or 1A/2A use 8436 & 26641 | n/a | --- | --- | --- | 7124 | 2 | ? | ? | --- | --- | --- | |
| W100/150, RAMCHARGER | 1985 | All | No | All | All | All | All | All | | n/a | --- | --- | --- | --- | 7124 | 2 | ? | ? | --- | --- | --- |
| W100/150, RAMCHARGER | 1986 | All | No | All | All | All | All | All | | n/a | --- | --- | --- | --- | 7124 | 2 | ? | ? | --- | --- | --- |
| W100/150, RAMCHARGER | 1987 | All | No | All | All | All | All | All | | n/a | --- | --- | --- | --- | 7124 | 2 | ? | ? | --- | --- | --- |
| W100/150, RAMCHARGER | 1988 | All | No | All | All | All | All | All | | n/a | --- | --- | --- | --- | 7124 | 2 | ? | ? | --- | --- | --- |
| W100/150, RAMCHARGER | 1992 | All | No | All | All | All | All | All | | n/a | --- | --- | --- | --- | 7124 | 2 | ? | ? | --- | --- | --- |
| W100/150, RAMCHARGER | 1993 | All | No | All | All | All | All | All | | n/a | --- | --- | --- | --- | 7124 | 2 | ? | ? | --- | --- | --- |
| W250 | 1972 | All | No | All | All | All | All | All | | n/a | --- | --- | --- | --- | 7124 | 2 | --- | ? | ? | --- | --- |
| W250 | 1973 | All | No | All | All | All | All | All | | n/a | --- | --- | --- | --- | 7124 | 2 | --- | ? | ? | --- | --- |
| W250 | 1974 | All | No | All | All | All | All | All | | n/a | --- | --- | --- | --- | 7124 | 2 | --- | ? | ? | --- | --- |
| W250 | 1975 | All | No | All | All | All | All | All | n/a | --- | --- | --- | --- | 7124 | 2 | --- | ? | ? | --- | --- | |
| W250 | 1976 | All | No | All | All | All | All | All | n/a | --- | --- | --- | --- | 7124 | 2 | --- | ? | ? | --- | --- | |
| W250 | 1977 | All | No | All | All | All | All | All | n/a | --- | --- | --- | --- | 7124 | 2 | --- | ? | ? | --- | --- | |
| W250 | 1978 | All | No | All | All | All | All | All | n/a | --- | --- | --- | --- | 7124 | 2 | --- | ? | ? | --- | --- | |
| W250 | 1979 | All | No | All | All | All | All | All | n/a | --- | --- | --- | --- | 7124 | 2 | --- | ? | ? | --- | --- | |
| W250 | 1980 | All | No | All | All | All | All | All | n/a | --- | --- | --- | --- | 7124 | 2 | --- | ? | ? | --- | --- | |

Notes:
 1. Ballast amounts are based on a "Representative Vehicle," defined in the vehicle selection guide instructions, and must be modified for all other configurations for axle and GVWR compliance.
 2. Recommended snowplow prep package whenever available.

1996 & Prior Dodge

Section 1 of 2

Homesteader™ through HD blades



| | | |
|--------------------------------------------------|----------|----------|
| Blade Length | 6'-8" | 7'-4" |
| Blade Assembly | Personal | Personal |
| Blade Part Number | 27547 | 27549 |
| Common Attachment Kit / Headgear Kit | 27550 | 27550 |
| A-Frame Kit | n/a | n/a |
| Hydraulic Kit | 27517 | 27517 |
| Common Light | 8435 | |
| Choose a Hand-Held Control or a Joystick Control | 9400 | |
| | 8292 | |



| | | | | |
|-----------|-------------|---------|-------------|---------|
| 7-1/2' LD | 7-1/2' RD M | 8' HD M | 8-1/2' HD M | 9' HD M |
| 27775 | 27500 | 28000 | 28500 | 29000 |
| 27750-1 | 27777 | 27777 | 27777 | 27777 |
| n/a | n/a | n/a | n/a | n/a |
| 9825-1 | 9840-2 | 9840-2 | 9840-2 | 9840-2 |
| 8435 | | | | |
| 9400 | | | | |
| 8292 | | | | |

| Model | Year | Body Style | DRW | Box Option | Engine Type | Min F G A W R | Min R G A W R | Min G V W R | Peculiar Light Kit | Personal Plow system | | Ballast Guidelines, lbs (1) | MM2 system | | Ballast Guidelines, lbs (1) | | | | |
|-------|------|------------|-----|------------|-------------|---------------|---------------|-------------|------------------------------------------|----------------------|-------|-----------------------------|------------------|-------|-----------------------------|---|---|-----|-----|
| | | | | | | | | | | Peculiar Att.Kit | Notes | | Peculiar Att.Kit | Notes | | | | | |
| W250 | 1981 | All | No | All | All | All | All | All | | n/a | --- | --- | 7124 | 2 | --- | ? | ? | --- | --- |
| W250 | 1982 | All | No | All | All | All | All | All | | n/a | --- | --- | 7124 | 2 | --- | ? | ? | --- | --- |
| W250 | 1983 | All | No | All | All | All | All | All | | n/a | --- | --- | 7124 | 2 | --- | ? | ? | --- | --- |
| W250 | 1984 | All | No | All | All | All | All | All | | n/a | --- | --- | 7124 | 2 | --- | ? | ? | --- | --- |
| W250 | 1985 | All | No | All | All | All | All | All | | n/a | --- | --- | 7124 | 2 | --- | ? | ? | --- | --- |
| W250 | 1986 | All | No | All | All | All | All | All | | n/a | --- | --- | 7124 | 2 | --- | ? | ? | --- | --- |
| W250 | 1987 | All | No | All | All | All | All | All | | n/a | --- | --- | 7124 | 2 | --- | ? | ? | --- | --- |
| W250 | 1988 | All | No | All | All | All | All | All | | n/a | --- | --- | 7124 | 2 | --- | ? | ? | --- | --- |
| W250 | 1989 | All | No | All | All | All | All | All | | n/a | --- | --- | 7124 | 2 | --- | ? | ? | --- | --- |
| W250 | 1990 | All | No | All | All | All | All | All | | n/a | --- | --- | 7124 | 2 | --- | ? | ? | --- | --- |
| W250 | 1991 | All | No | All | All | All | All | All | | n/a | --- | --- | 7124 | 2 | --- | ? | ? | --- | --- |
| W250 | 1992 | All | No | All | All | All | All | All | | n/a | --- | --- | 7124 | 2 | --- | ? | ? | --- | --- |
| W250 | 1993 | All | No | All | All | All | All | All | | n/a | --- | --- | 7124 | 2 | --- | ? | ? | --- | --- |
| W350 | 1972 | All | No | All | All | All | All | All | | n/a | --- | --- | 7124 | 2 | --- | ? | ? | --- | --- |
| W350 | 1973 | All | No | All | All | All | All | All | | n/a | --- | --- | 7124 | 2 | --- | ? | ? | --- | --- |
| W350 | 1974 | All | No | All | All | All | All | All | | n/a | --- | --- | 7124 | 2 | --- | ? | ? | --- | --- |
| W350 | 1975 | All | No | All | All | All | All | All | 2B/2D use 8439 or 1A/2A use 8436 & 26641 | n/a | --- | --- | 7124 | 2 | --- | ? | ? | --- | --- |
| W350 | 1976 | All | No | All | All | All | All | All | | n/a | --- | --- | 7124 | 2 | --- | ? | ? | --- | --- |
| W350 | 1977 | All | No | All | All | All | All | All | | n/a | --- | --- | 7124 | 2 | --- | ? | ? | --- | --- |
| W350 | 1978 | All | No | All | All | All | All | All | | n/a | --- | --- | 7124 | 2 | --- | ? | ? | --- | --- |
| W350 | 1979 | All | No | All | All | All | All | All | | n/a | --- | --- | 7124 | 2 | --- | ? | ? | --- | --- |
| W350 | 1980 | All | No | All | All | All | All | All | | n/a | --- | --- | 7124 | 2 | --- | ? | ? | --- | --- |
| W350 | 1981 | All | No | All | All | All | All | All | | n/a | --- | --- | 7124 | 2 | --- | ? | ? | --- | --- |
| W350 | 1982 | All | No | All | All | All | All | All | | n/a | --- | --- | 7124 | 2 | --- | ? | ? | --- | --- |
| W350 | 1983 | All | No | All | All | All | All | All | | n/a | --- | --- | 7124 | 2 | --- | ? | ? | --- | --- |
| W350 | 1984 | All | No | All | All | All | All | All | | n/a | --- | --- | 7124 | 2 | --- | ? | ? | --- | --- |
| W350 | 1985 | All | No | All | All | All | All | All | | n/a | --- | --- | 7124 | 2 | --- | ? | ? | --- | --- |
| W350 | 1986 | All | No | All | All | All | All | All | | n/a | --- | --- | 7124 | 2 | --- | ? | ? | --- | --- |
| W350 | 1987 | All | No | All | All | All | All | All | | n/a | --- | --- | 7124 | 2 | --- | ? | ? | --- | --- |
| W350 | 1988 | All | No | All | All | All | All | All | | n/a | --- | --- | 7124 | 2 | --- | ? | ? | --- | --- |
| W350 | 1989 | All | No | All | All | All | All | All | | n/a | --- | --- | 7124 | 2 | --- | ? | ? | --- | --- |
| W350 | 1990 | All | No | All | All | All | All | All | | n/a | --- | --- | 7124 | 2 | --- | ? | ? | --- | --- |
| W350 | 1991 | All | No | All | All | All | All | All | | n/a | --- | --- | 7124 | 2 | --- | ? | ? | --- | --- |
| W350 | 1992 | All | No | All | All | All | All | All | | n/a | --- | --- | 7124 | 2 | --- | ? | ? | --- | --- |
| W350 | 1993 | All | No | All | All | All | All | All | | n/a | --- | --- | 7124 | 2 | --- | ? | ? | --- | --- |

- Notes:
- Ballast amounts are based on a "Representative Vehicle," defined in the vehicle selection guide instructions, and must be modified for all other configurations for axle and GVWR compliance.
 - Recommended snowplow prep package whenever available.

1996 & Prior Dodge

Section 1 of 2

Homesteader™ through HD blades



| | | |
|--------------------------------------|----------|----------|
| Blade Length | 6'-8" | 7'-4" |
| Blade Assembly | Personal | Personal |
| Blade Part Number | 27547 | 27549 |
| Common Attachment Kit / Headgear Kit | 27550 | 27550 |
| A-Frame Kit | n/a | n/a |
| Hydraulic Kit | 27517 | 27517 |
| Common Light | 8435 | |
| Choose a Hand-Held Control | 9400 | |
| or a Joystick Control | 8292 | |



| | | | | |
|-----------|-------------|---------|-------------|---------|
| 7-1/2' LD | 7-1/2' RD M | 8' HD M | 8-1/2' HD M | 9' HD M |
| 27775 | 27500 | 28000 | 28500 | 29000 |
| 27750-1 | 27777 | 27777 | 27777 | 27777 |
| n/a | n/a | n/a | n/a | n/a |
| 9825-1 | 9840-2 | 9840-2 | 9840-2 | 9840-2 |
| 8435 | | | | |
| 9400 | | | | |
| 8292 | | | | |



| Model | Year | Body Style | DRW | Box Option | Engine Type | Min F G A W R | Min R G A W R | Min G V W R | Peculiar Light Kit | Personal Plow system | | Ballast Guidelines, lbs (1) | MM2 system | | Ballast Guidelines, lbs (1) | | | | | |
|----------------------|------|------------|-----|------------|-------------|---------------|---------------|-------------|--------------------|----------------------|-------|-----------------------------|------------------|-------|-----------------------------|-----|-----|-----|-----|-----|
| | | | | | | | | | | Peculiar Att.Kit | Notes | | Peculiar Att.Kit | Notes | | | | | | |
| 1500, 2500 LD | 1994 | All | No | All | All | All | All | 7500 | HB1 use 8436 | n/a | --- | --- | --- | 7157 | 2 | ? | ? | --- | --- | --- |
| 1500, 2500 LD | 1995 | All | No | All | All | All | All | 7500 | | n/a | --- | --- | --- | 7157 | 2 | ? | ? | --- | --- | --- |
| 1500, 2500 LD | 1996 | All | No | All | All | All | All | 7500 | | n/a | --- | --- | --- | 7157 | 2 | ? | ? | --- | --- | --- |
| 2500 | 1994 | All | No | All | All | All | All | 8800 | | n/a | --- | --- | --- | 7157 | 2 | --- | ? | ? | --- | --- |
| 2500 | 1995 | All | No | All | All | All | All | 8800 | | n/a | --- | --- | --- | 7157 | 2 | --- | ? | ? | --- | --- |
| 2500 | 1996 | All | No | All | All | All | All | 8800 | | n/a | --- | --- | --- | 7157 | 2 | --- | ? | ? | --- | --- |
| 2500 W/EXT. CAB | 1995 | All | No | All | All | All | All | 8800 | | n/a | --- | --- | --- | 7157 | 2,33 | --- | ? | ? | ? | ? |
| 2500 W/EXT. CAB | 1996 | All | No | All | All | All | All | 8800 | | n/a | --- | --- | --- | 7157 | 2,33 | --- | ? | ? | ? | ? |
| 3500 | 1994 | All | No | All | All | All | All | All | | n/a | --- | --- | --- | 7157 | 2 | --- | --- | ? | ? | ? |
| 3500 | 1995 | All | No | All | All | All | All | All | | n/a | --- | --- | --- | 7157 | 2 | --- | --- | ? | ? | ? |
| 3500 | 1996 | All | No | All | All | All | All | All | | n/a | --- | --- | --- | 7157 | 2 | --- | --- | ? | ? | ? |
| 3500 W/ EXTENDED CAB | 1995 | All | No | All | All | All | All | All | | n/a | --- | --- | --- | 7157 | 2,33 | --- | --- | ? | ? | ? |
| 3500 W/ EXTENDED CAB | 1996 | All | No | All | All | All | All | All | | n/a | --- | --- | --- | 7157 | 2,33 | --- | --- | ? | ? | ? |

- Notes:**
- Ballast amounts are based on a "Representative Vehicle," defined in the vehicle selection guide instructions, and must be modified for all other configurations for axle and GVWR compliance.
 - Recommended snowplow prep package whenever available.
 - Regular cab only.

1996 & Prior International

Section 2

XBLADE™ through MC blades

| |   | | | | | | | | | | | | 9' | 10' |
|-----------------------------------------------------------------------------|-------------------------------------------------------------------------------------------------------------------------------------------------------------------------|--------|--------|--------|--------|--------|--------|--------|--------|--------|---------|---------|--------|--------|
| Blade Length | 7-1/2' | 7-1/2' | 8' | 8' | 8-1/2' | 8-1/2' | 9' | 9' | 8-1/2' | 9-1/2' | 9' | 10' | 9' | 10' |
| Blade Assembly | X SS | X MS | X SS | X MS | X SS | X MS | X SS | X MS | EZ-V® | EZ-V | MC | MC | MC | MC |
| Blade Part Number | 27510 | 27512 | 28100 | 28200 | 28510 | 28520 | 29100 | 29200 | 28885 | 28895 | 27250 | 27350 | 27250 | 27350 |
| Common Attachment Kit / Headgear Kit | 28900 | 27777 | 28900 | 27777 | 28900 | 27777 | 28900 | 27777 | 28888 | 28888 | 29999 | 29999 | 8445 | 8445 |
| A-Frame Kit | n/a | n/a | n/a | n/a | n/a | n/a | n/a | n/a | n/a | n/a | 27255-1 | 27255-1 | 27255 | 27255 |
| Hydraulic Kit | 9840-2 | 9840-2 | 9840-2 | 9840-2 | 9840-2 | 9840-2 | 9840-2 | 9840-2 | 9828-4 | 9828-4 | 9835-1 | 9835-1 | 9835-1 | 9835-1 |
| Common Light | 8435 | | | | | | | | | | | | 8435 | |
| Choose a Hand-Held Control or a new Hand-Held Control or a Joystick Control | 9400 | | | | | | 9700 | | | 9400 | | | 9400 | |
| | n/a | | | | | | 9800 | | | n/a | | | n/a | |
| | 8292 | | | | | | 9900 | | | 8292 | | | 8292 | |

| Model | Year | Body Style | DRW | Box Option | Engine Type | Min F G A W R | Min R G A W R | Min G V W R | Peculiar Light Kit | MM2 system | | Ballast Guidelines, lbs (1) | | | | | | | | | | Ballast Guidelines, lbs (1) | | | | | | |
|---------------------------|------|------------|-----|------------|-------------|---------------|---------------|-------------|---------------------|------------------|-------|-----------------------------|-----|-----|-----|-----|-----|-----|-----|-----|-----|-----------------------------|-----|-----|---|---|---|---|
| | | | | | | | | | | Peculiar Att.Kit | Notes | | | | | | | | | | | | | | | | | |
| 4700, 4800,4900 (Low Pro) | 1996 | Chassis | Yes | Chassis | All | All | All | 10000 | | 7156-1 | 27 | --- | --- | --- | --- | --- | --- | --- | --- | --- | --- | --- | --- | ? | ? | ? | ? | |
| 4700, 4800,4900 (Low Pro) | 1995 | Chassis | Yes | Chassis | All | All | All | 10000 | | 7156-1 | 27 | --- | --- | --- | --- | --- | --- | --- | --- | --- | --- | --- | --- | --- | ? | ? | ? | ? |
| 4700, 4800,4900 (Low Pro) | 1994 | Chassis | Yes | Chassis | All | All | All | 10000 | | 7156-1 | 27 | --- | --- | --- | --- | --- | --- | --- | --- | --- | --- | --- | --- | --- | ? | ? | ? | ? |
| 4700, 4800,4900 (Low Pro) | 1993 | Chassis | Yes | Chassis | All | All | All | 10000 | | 7156-1 | 27 | --- | --- | --- | --- | --- | --- | --- | --- | --- | --- | --- | --- | --- | ? | ? | ? | ? |
| 4700, 4800,4900 (Low Pro) | 1992 | Chassis | Yes | Chassis | All | All | All | 10000 | | 7156-1 | 27 | --- | --- | --- | --- | --- | --- | --- | --- | --- | --- | --- | --- | --- | ? | ? | ? | ? |
| 4700, 4800,4900 (Low Pro) | 1991 | Chassis | Yes | Chassis | All | All | All | 10000 | | 7156-1 | 27 | --- | --- | --- | --- | --- | --- | --- | --- | --- | --- | --- | --- | --- | ? | ? | ? | ? |
| 4700, 4800,4900 (Low Pro) | 1990 | Chassis | Yes | Chassis | All | All | All | 10000 | | 7156-1 | 27 | --- | --- | --- | --- | --- | --- | --- | --- | --- | --- | --- | --- | --- | ? | ? | ? | ? |
| 4700, 4800,4900 (Low Pro) | 1989 | Chassis | Yes | Chassis | All | All | All | 10000 | 2B use 8439 & 26640 | 7156-1 | 27 | --- | --- | --- | --- | --- | --- | --- | --- | --- | --- | --- | --- | --- | ? | ? | ? | ? |
| 4700, 4800,4900 | 1996 | Chassis | Yes | Chassis | All | All | All | 10000 | | 7151-2 | 11 | --- | --- | --- | --- | --- | --- | --- | --- | --- | --- | --- | --- | --- | ? | ? | ? | ? |
| 4700, 4800,4900 | 1995 | Chassis | Yes | Chassis | All | All | All | 10000 | | 7151-2 | 11 | --- | --- | --- | --- | --- | --- | --- | --- | --- | --- | --- | --- | --- | ? | ? | ? | ? |
| 4700, 4800,4900 | 1994 | Chassis | Yes | Chassis | All | All | All | 10000 | | 7151-2 | 11 | --- | --- | --- | --- | --- | --- | --- | --- | --- | --- | --- | --- | --- | ? | ? | ? | ? |
| 4700, 4800,4900 | 1993 | Chassis | Yes | Chassis | All | All | All | 10000 | | 7151-2 | 11 | --- | --- | --- | --- | --- | --- | --- | --- | --- | --- | --- | --- | --- | ? | ? | ? | ? |
| 4700, 4800,4900 | 1992 | Chassis | Yes | Chassis | All | All | All | 10000 | | 7151-2 | 11 | --- | --- | --- | --- | --- | --- | --- | --- | --- | --- | --- | --- | --- | ? | ? | ? | ? |
| 4700, 4800,4900 | 1991 | Chassis | Yes | Chassis | All | All | All | 10000 | | 7151-2 | 11 | --- | --- | --- | --- | --- | --- | --- | --- | --- | --- | --- | --- | --- | ? | ? | ? | ? |
| 4700, 4800,4900 | 1990 | Chassis | Yes | Chassis | All | All | All | 10000 | | 7151-2 | 11 | --- | --- | --- | --- | --- | --- | --- | --- | --- | --- | --- | --- | --- | ? | ? | ? | ? |
| 4700, 4800,4900 | 1989 | Chassis | Yes | Chassis | All | All | All | 10000 | | 7151-2 | 11 | --- | --- | --- | --- | --- | --- | --- | --- | --- | --- | --- | --- | --- | ? | ? | ? | ? |

Notes:

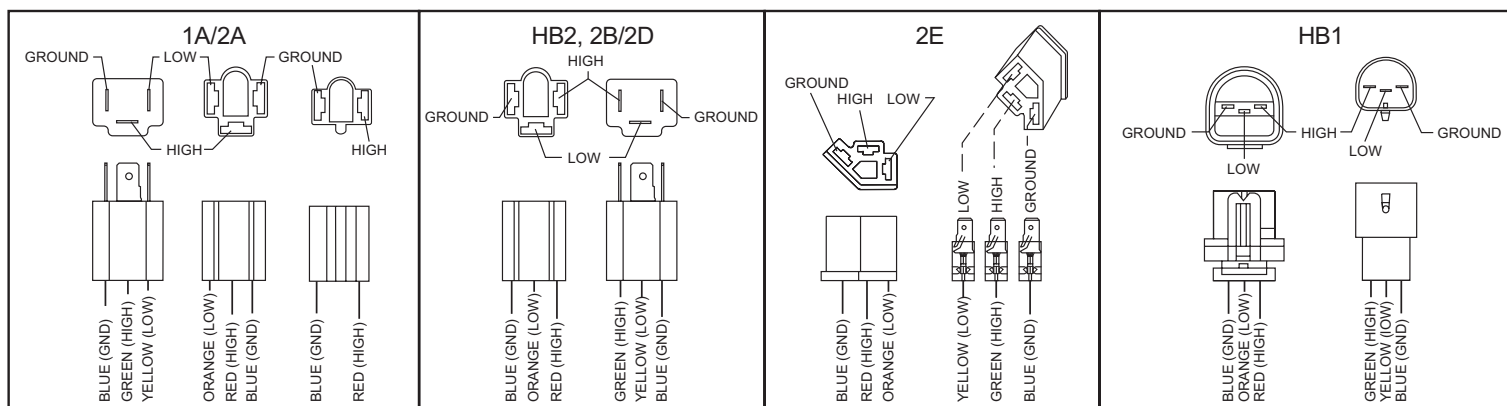
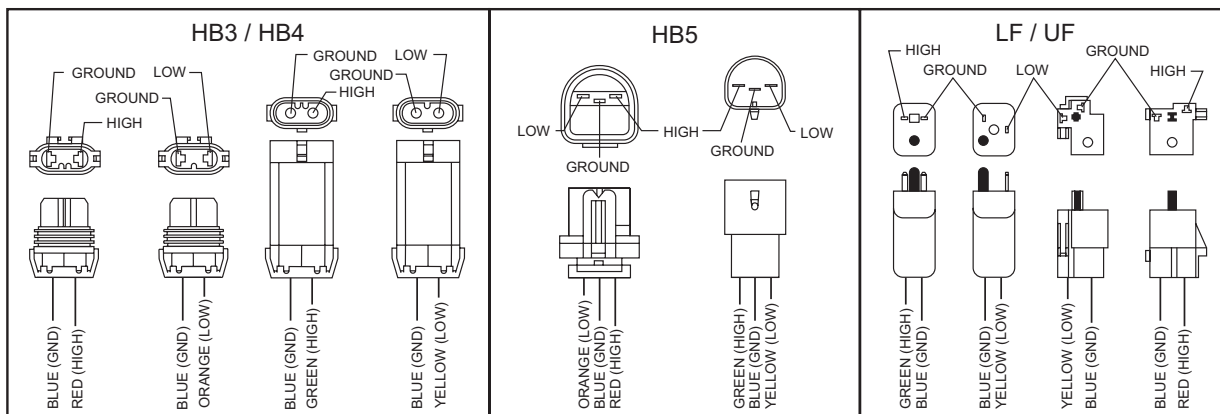
1. Ballast amounts are based on a "Representative Vehicle," defined in the vehicle selection guide instructions, and must be modified for all other configurations for axle and GVWR compliance.
11. 27,500 max GVWR. 3 x 50 or 3 x 54 springs only.
27. Universal Kit. Custom installation required. 27,500 Max. GVWR. Minimum 22.5" from road to vehicle frame.

Headlamp Reference Guide

NOTE: The lamp type is usually embossed in the headlamp lens.

NOTE: Blue ground wires may be LT or DK BLU, w/ or w/o WHT stripe, depending on harness.

| Headlamp Type | Bulb Type | Headlamp Type | Bulb Type |
|---------------|--------------------|---------------|-----------|
| LF | H4703 | 2E1 | H6545 |
| UF | H4701 | H13 | 9008 |
| 1A1 | H4651 | HB1 | 9004 |
| 2A1 | H4652(GMC/Chevy) | HB2 | 9003 |
| 2A1 | H4656 (Mitsubishi) | HB3 | 9005 |
| 2B1 | H6054 | HB4 | 9006 |
| 2D1 | H6024 | HB5 | 9007 |



Snowplow Component Weights

| Off-Truck Assembly with Blade | | | | | | | |
|-------------------------------|----------------|---------------|------|--------|----------------|---------------|------|
| Size | Blade Assembly | Weight (lbs.) | Z | Size | Blade Assembly | Weight (lbs.) | Z |
| 6'-8" | Personal Plow | 239 | 20.4 | 8' | XBLADE Plow | 790 | 26.0 |
| 7'-4" | Personal Plow | 257 | 20.8 | 8-1/2' | XBLADE Plow | 813 | 26.5 |
| 7-1/2' | LD | 487 | 19.7 | 9' | XBLADE Plow | 835 | 27.0 |
| 7-1/2' | RD M | 630 | 20.6 | 8-1/2' | EZ-V® Plow | 808 | 16.0 |
| 8' | HD M | 717 | 26.4 | 9-1/2' | EZ-V Plow | 870 | 16.0 |
| 8-1/2' | HD M | 731 | 26.5 | 9' | MC w/MM or MM2 | 1350 | 25.5 |
| 9' | HD M | 745 | 26.6 | 10' | MC w/MM or MM2 | 1410 | 26.0 |
| 7-1/2' | XBLADE™ Plow | 742 | 24.5 | | | | |

| On-Truck Attachment | | | | | | | | | | | |
|-----------------------------------------------|---------------|------|-----|--------|---------------|--------|--------|--------|---------------|------|------|
| Kit # | Weight (lbs.) | X | Y | Kit # | Weight (lbs.) | X | Y | Kit # | Weight (lbs.) | X | Y |
| Homesteader™ Kits | | | | | | | | | | | |
| 1203 | 34.0 | 27.0 | 6.0 | 1503 | 26.0 | 27.0 | 6.0 | 2313 | 30.0 | 27.0 | 5.0 |
| 1213 | 26.0 | 26.0 | 6.0 | 1523 | 26.0 | 30.0 | 6.0 | 3713-1 | 20.0 | 26.0 | 5.0 |
| 1223 | 40.0 | 28.0 | 7.0 | 1533 | 31.0 | 26.0 | 5.0 | 3723 | 35.0 | 21.4 | 5.0 |
| 1233 | 34 | 32 | 7.1 | 2303 | 41.0 | 29.0 | 6.0 | | | | |
| Minute Mount® and Minute Mount® 2 Kits | | | | | | | | | | | |
| 7124 | 48.0 | 29.0 | 7.0 | 7148 | 74.0 | 32.0 | 8.0 | 7163-1 | 32.0 | 23.0 | 4.0 |
| 7125 | 48.0 | 32.0 | 8.0 | 7150 | 60.0 | 31.0 | 8.0 | 7164 | 173.0 | 31.0 | 8.0 |
| 7126 | 88.0 | 31.0 | 8.0 | 7151-2 | 191.0 | 30.0 | 8.0 | 7165 | 55.0 | 30.0 | 7.0 |
| 7128 | 110.0 | 31.0 | 8.0 | 7152-1 | 215.0 | 31.0 | 8.0 | 7166 | 49.0 | 31.0 | 7.0 |
| 7129 | 78.0 | 32.0 | 8.0 | 7155 | 55.0 | 30.0 | 7.0 | 7167 | 46.0 | 37.0 | 9.0 |
| 7130 | 41.0 | 30.0 | 7.0 | 7156-1 | VARIES | VARIES | VARIES | 7168 | 44.0 | 35.0 | 9.0 |
| 7131 | 126.0 | 31.0 | 8.0 | 7157 | 62.0 | 30.0 | 7.0 | 7169 | 45.0 | 35.0 | 10.0 |
| 7132 | 118.0 | 31.0 | 8.0 | 7158 | 55.0 | 29.0 | 7.0 | 7170-1 | 54.0 | 36.0 | 7.0 |
| 7138 | 48.0 | 32.0 | 8.0 | 7159-2 | 96.0 | 31.0 | 7.0 | 7171 | 111.0 | 39.0 | 7.0 |
| 7144 | 73.0 | 32.0 | 8.0 | 7160 | 44.0 | 32.0 | 8.0 | 7172 | 174 | 39.0 | 9.8 |
| 7146-1 | 214.0 | 32.0 | 8.0 | 7161 | 44.0 | 32.0 | 9.0 | 7173 | 73.0 | 31.0 | 9.8 |
| 7147 | 54.0 | 29.0 | 7.0 | 7162-1 | 127.0 | 38.0 | 7.0 | 7174 | 37.0 | 32.0 | 7.1 |

| Accessories | | |
|-------------------------------------------------------|---------|-------------------|
| Description | Kit # | Added Plow Weight |
| Cutting Edge 7-1/2' LD/RD | 5532 | 59 |
| Cutting Edge 8' HD | 5533 | 84 |
| Cutting Edge 8-1/2' HD | 26460 | 91 |
| Cutting Edge 9' HD | 5534 | 95 |
| Cutting Edge 7-1/2' XBLADE Plow | 28575 | 59 |
| Cutting Edge 8' XBLADE Plow | 27580 | 84 |
| Cutting Edge 8-1/2' XBLADE Plow | 27585 | 91 |
| Cutting Edge 9' XBLADE Plow | 27590 | 95 |
| Cutting Edge 8-1/2' EZ-V Plow | 28408 | 82 |
| Cutting Edge 9-1/2' EZ-V Plow | 26593 | 103 |
| Cutting Edge 9' MC | 27362 | 122 |
| Cutting Edge 10' MC | 27239 | 132 |
| Deflector - Rubber 7-1/2', 8', 8-1/2', 9' RD/HD | 22470-1 | 29,31,33,35 |
| Deflector - Rubber 7-1/2', 8', 8-1/2', 9' XBLADE Plow | 27600-1 | 32,33,34,35 |
| Deflector - Rubber 8-1/2' EZ-V Plow | 21619 | 45 |
| Deflector - Rubber 9-1/2' EZ-V Plow | 26572 | 50 |
| Deflector - Rubber 9' & 10' MC | 22390 | 53 |
| Deflector - Steel 6'-9" | 22269 | 24 |
| Deflector - Steel 7-1/2' LD/RD | 283 | 28 |
| Deflector - Steel 8' | 26480 | 33 |
| Deflector - Steel 8-1/2' | 26485 | 35 |
| Deflector - Steel 9' | 26490 | 36 |
| Poly Shoe Kit Personal Plow | 27710 | 3.3 |
| Shoe Kit LD Blades | 27880 | 22 |
| Shoe Kit XBLADE – Curb Shoe | 27487-1 | 12 |
| Shoe Kit XBLADE – Wear Shoe | 28367-1 | 35 |
| SnoFoil Assembly for 7-1/2', 8', 8-1/2', 9' M | 27100 | 50 |
| SnoFoil Assembly 9' MC | 22380 | 64 |
| SnoFoil Assembly 10' MC | 22200 | 66 |

NOTE: The addition of accessories to a snowplow or vehicle will require additional ballast above any amount published in this guide in order to maintain FMVSS compliance. Completed vehicle with additional accessories shall not exceed GVWR or GAWR.

NOTE: An abbreviation key is on page 2.

NOTE: See next page for variable definitions.

Snowplow Weight Calculation

Available vehicle capacities for aftermarket equipment and components can be determined by using the information in this guide along with information provided by the vehicle manufacturer's *Body Builder Guides*. Follow all requirements and recommendations of the vehicle manufacturer.

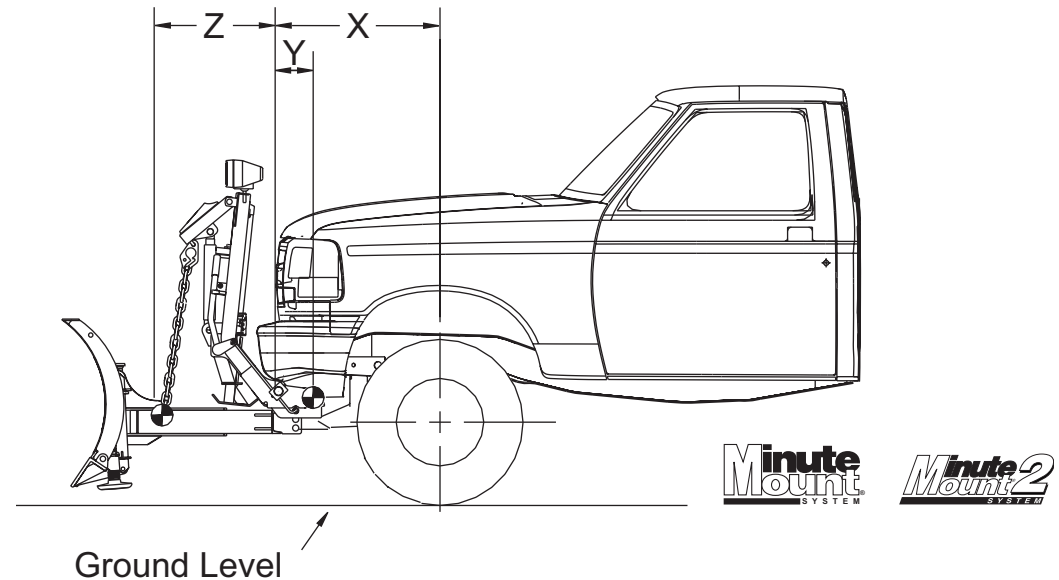
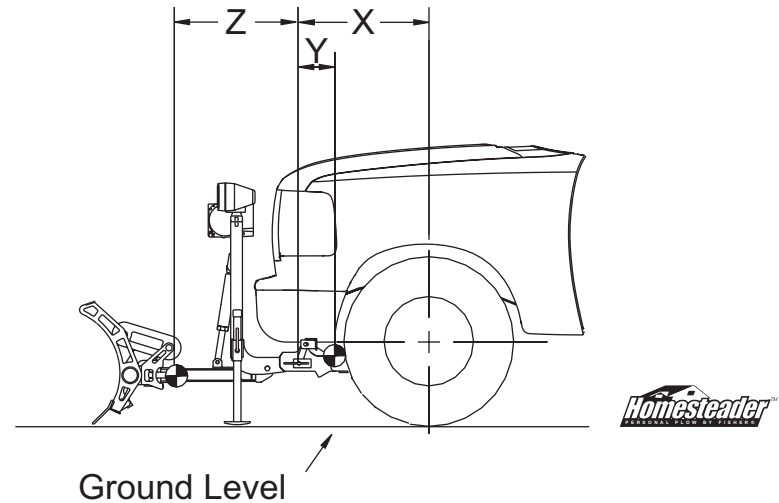
VARIABLES

X = Distance from front axle to connecting pin.

Y = Distance from connecting pin to attachment Cg.

Z = Distance from connecting pin to plow Cg.

NOTE: An abbreviation key is on page 2.



Ballast Inquiry Sheet



FISHER ENGINEERING
 P.O. Box 529
 Rockland, Maine 04841

Telephone (207) 701-4200
 Fax (207) 596-2767

| | | |
|--------------------|--|-------------------|
| DISTRIBUTOR | | TEL |
| | | FAX |
| CUSTOMER | | DATE BUILT |
| VIN | | |

VEHICLE INFORMATION

| | | | |
|-------------------------------|---------------------------------------------------------|------------------------------------|---------------------------------------------------------------|
| YEAR | | | |
| MAKE | | | |
| MODEL | | | |
| DRIVE TRAIN | <input type="checkbox"/> 2WD (over 10,000 lb. GVW only) | <input type="checkbox"/> 4WD | <input type="checkbox"/> ALL WHEEL <input type="text"/> OTHER |
| DRW (Dual Rear Wheels) | <input type="checkbox"/> YES | <input type="checkbox"/> NO | |
| BODY STYLE | <input type="checkbox"/> REG CAB | <input type="checkbox"/> X-CAB | <input type="text"/> OTHER |
| BOX OPTION(S) | <input type="checkbox"/> DUMP BOX | <input type="checkbox"/> STAKE BED | <input type="text"/> OTHER |
| ENGINE TYPE | | | |
| GFAWR | | | |
| GRAWR | | | |
| GVWR | | | |

HORIZONTAL DISTANCE DESCRIPTION

| | | |
|-------------|---------------------------------------------------------------------|-------|
| L31 | DRIVER'S hip point; in MIDDLE position, to Centerline of FRONT axle | (in.) |
| L101 | Between axles (Wheelbase) | (in.) |
| L104 | Middle of FRONT bumper to centerline of FRONT axle | (in.) |
| | Middle of ballast location to centerline of REAR axle | (in.) |

VEHICLE WEIGHT (TRUCK MUST BE WEIGHED COMPLETE AND EMPTY (-) OCCUPANTS, PLOW & MOUNT)

| | |
|-------------|------------|
| FRONT (lb.) | REAR (lb.) |
| | |

FUEL TANKS (ONLY NEEDED IF WEIGHED VEHICLE NOT FULLY FUELED)

| | LEVEL (see below) | CAPACITY (gal.) | LOCATION FROM REAR AXLE TO CENTER OF TANK (in.) |
|--------------------|-------------------|-----------------|-------------------------------------------------|
| FRONT OF REAR AXLE | | | |
| REAR OF REAR AXLE | | | |

FUEL LEVEL (EMPTY = 0, HALF = 1/2, FULL = 1)

THIS FORM MUST BE COMPLETED IN ITS ENTIRETY. ANY FORMS CONTAINING INCOMPLETE INFORMATION WILL NOT BE CONSIDERED. PLEASE RETURN VIA FAX (207) 596-2767.

FISHER ENGINEERING and the vehicle manufacturer may require or recommend optional equipment for snow removal. See the FISHER ENGINEERING *Kit Selection Guide* for additional product information.

Footnote Key

1. Ballast amounts are based on a "Representative Vehicle," defined in the vehicle selection guide instructions, and must be modified for all other configurations for axle and GVWR compliance.
2. Recommended snowplow prep package whenever available.
3. Requires bumper notching.
4. Recommended Z85 suspension.
5. Classic Style Only (2nd # in model # is 0 not 5) example: K10903. Refer to label in glove box for model number. Snowplow prep package recommended when available.
6. All New Style Only (2nd # in model # is 5 not 0) example: K15903. Refer to label in glove box for model number. Snowplow prep package recommended when available.
7. "EARLY" indicates a build date before 12-01-2003, "LATE" indicates a build date on or after 12-01-2003
8. These Snowplows Are For Personal/Homeowner Use Only.
9. Bumper notching on SPORT required
10. May require bumper or air dam notching.
11. 27,500 max GVWR. 3 x 50 or 3 x 54 springs only.
12. 27,500 max GVWR. T-40 is standard "sloped" hood configuration. T-50 is specialty "flat" front hood.
13. Coil springs.
14. Mount attaches over and in front of bumper.
15. Not for use on trucks with quad shocks.
16. Not intended for use with High Rider or ZR2 style trucks.
17. Recommended air spring kit PN 63720 on snowplows 8.5' & larger.
18. Recommended F60 suspension or snowplow prep package.
19. Recommended with 31X10.5/R15 LT tires or equivalent to provide proper attachment clearance.
20. Recommended with optional heavy duty front suspension package only - (F150 3800 lbs., F250 4600 lbs., F350 4X4 4800 lbs., F350 2WD 4000 lbs.).
21. Requires 31 x 10.5/R15 tires or equivalent size minimum.
22. Requires 7700 Payload Group (option 627).
23. Requires bumper notching on Sport and LE Sport option.
24. Requires front air bags.
25. Requires LT 235 series tires or larger.
26. Requires MOPAR air shock kit PN 82202562 to increase FGAWR from 2200 to 2500.
27. Universal Kit. Custom installation required. 27,500 Max. GVWR. Minimum 22.5" from road to vehicle frame.
28. Without swaybar.
29. Requires adapter PN 28027.
30. High output diesel engines require automatic transmission.
31. A Ballast Inquiry Sheet must be submitted to approve this application.
32. Not for use on extended cab vehicles with diesel engines.
33. Regular cab only.
34. 3X50 or 3X54 inch springs only.
35. Not for use on diesels.
37. Requires 5000 lb FGAWR min. for use with diesel engines.
38. 4X4 or 4X2.
39. 27,500 max GVWR.



Fisher Engineering
P.O. Box 529
Rockland, ME 04841

 A DIVISION OF DOUGLAS DYNAMICS, L.L.C.

Fisher Engineering reserves the right under its product improvement policy to change construction or design details and furnish equipment when so altered without reference to illustrations or specifications used. Fisher Engineering and the vehicle manufacturer may require and/or recommend optional equipment for snow removal. Do not exceed vehicle ratings with a snowplow. Fisher Engineering offers a limited warranty on all snowplows and accessories. See separately printed page for this important information. The following are registered (®) and unregistered (™) trademarks of Douglas Dynamics, L.L.C.: EZ-V®, FISHER®, Fish-Stik®, Homesteader™, Insta-Act®, Minute Mount®, Minute Mount® 2, SnoFoil®, XBLADE™.

Printed in U.S.A.