



**Fisher Engineering**

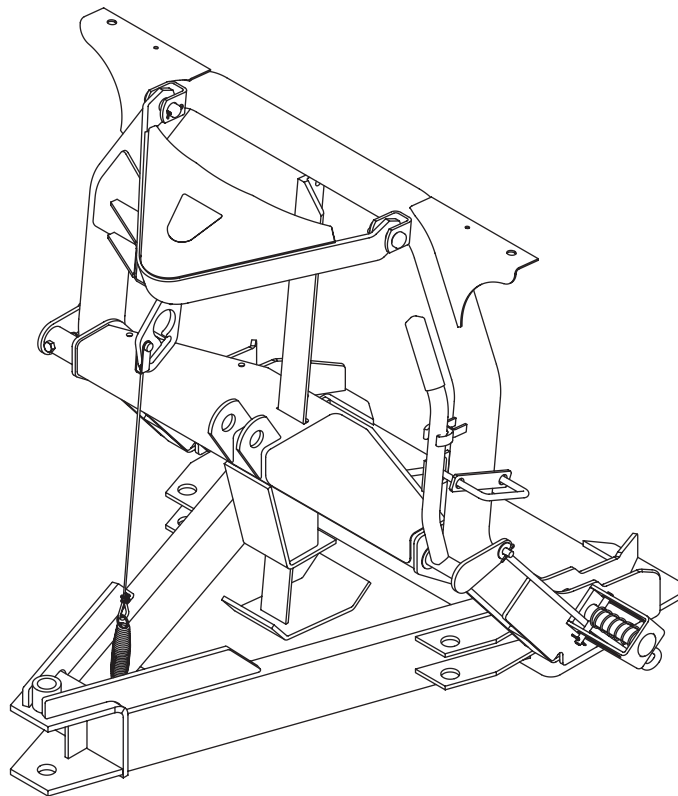
P.O. Box 529 Rockland, Maine 04841

**27750 LD**

September 1, 2003  
Lit. No. 26181

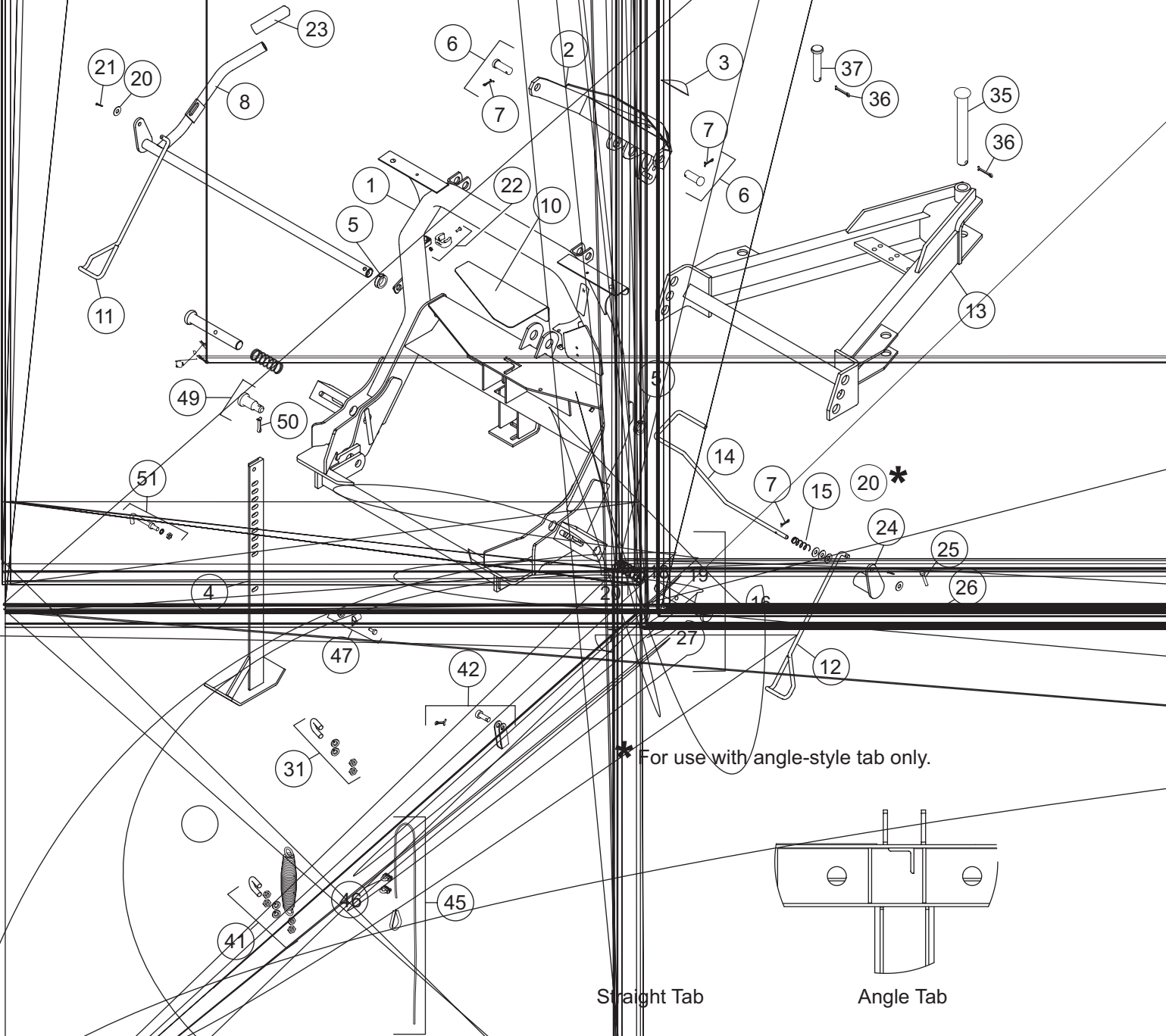
# **Minute<sup>2</sup>** **SYSTEM**

## **LD Series Parts Lists and Diagrams**



MINUTE MOUNT® 2 SYSTEM

Exploded View – Rear



\* For use with angle-style tab only.

Straight Tab

Angle Tab

<b>27750 Headgear Kit</b>			
<b>Item</b>	<b>Part</b>	<b>Qty</b>	<b>Description</b>
1	27742	1	Headgear
2	26757	1	Lift Arm – Yellow
3	26777	1	Nameplate Decal, MM2
4	27741	1	Jack
5	27163K	1	Bushing Kit (2 bushings)
6	4289K	2	3/4 x 1-7/8 Machine Pin Packet
7	90658	5	5/32 x 1-1/4 Cotter Pin
8	27468	1	Handle – Link Arm Assembly
9	7906K	1	Packet – Blade Guide Set
10	27451	1	Label, MM2 Headgear
11	27166K	1	Wire Cam Kit – DS
12	27167K	1	Wire Cam Kit – PS
13	27995	1	A-Frame Kit – LD
14	27478	1	Jack Lock
15	27461	1	Compression Spring, 3/4 OD x 3-1/2
16	27168K	2	Connecting Pin Kit
18	821	2	Compression Spring, 1 ID x 3-1/2
19	26833	2	1 OD x 6-15/16 Pin
20	90315	7	3/8 Flat Washer
21	91902	2	1/8 x 1 Cotter Pin
22	27162K	1	Stop Clip Kit
23	27535	1	Handle Cover Kit
24	27465	1	Link Arm
25	90043	1	3/8-16 x 2 Hex Cap Screw G5
26	91333	1	3/8-16 Hex Locknut GB
27	26219	2	Clevis Pin Kit
ns	27914	1	Bolt Bag – A-Frame Kit LD
ns	27472	1	Bolt Bag for 27750
ns	27912	1	Chain Bag – Common Attachments LD
<b>27914 Bolt Bag – A-Frame Kit LD</b>			
31	A6148K	2	Packet – U-Bolt Assembly
35	27979	1	1 x 8 Clevis Pin
36	90013	3	1/4 x 2 Cotter Pin
37	22260	2	1 OD x 4-3/4 Clevis Pin
<b>27472 Bolt Bag for 27750</b>			
41	27534	1	Spring / U-Bolt Kit
42	27171K	1	Clevis Kit
45	27169K	1	Cable Kit
46	27075	2	1/8 Wire Rope Clip
47	27172K	2	Clamp Loop Kit
49	27177K	2	Step Pin Kit
50	90601	2	1/4 x 1-1/2 Cotter Pin
51	27164K	1	Handle Kit
ns = not shown			

Copyright© 2003 Douglas Dynamics, L.L.C. All rights reserved. This material may not be reproduced or copied, in whole or in part, in any printed, mechanical, electronic, film or other distribution and storage media, without the written consent of Fisher Engineering. Authorization to photocopy items for internal or personal use by Fisher Engineering outlets or snowplow owner is granted.

Fisher Engineering reserves the right under its product improvement policy to change construction or design details and furnish equipment when so altered without reference to illustrations or specifications used. Fisher Engineering and the vehicle manufacturer may require and/or recommend optional equipment for snow removal. Do not exceed vehicle ratings with a snowplow. Fisher Engineering offers a limited warranty for all snowplows and accessories. See separately printed page for this important information. The following are registered (®) trademarks of Douglas Dynamics, L.L.C.: FISHER®, Minute Mount® 2.

**Printed in U.S.A.**