



**Fisher Engineering**

P.O. Box 529 Rockland, Maine 04841

September 1, 2005  
Lit. No. 26861, Rev. 01

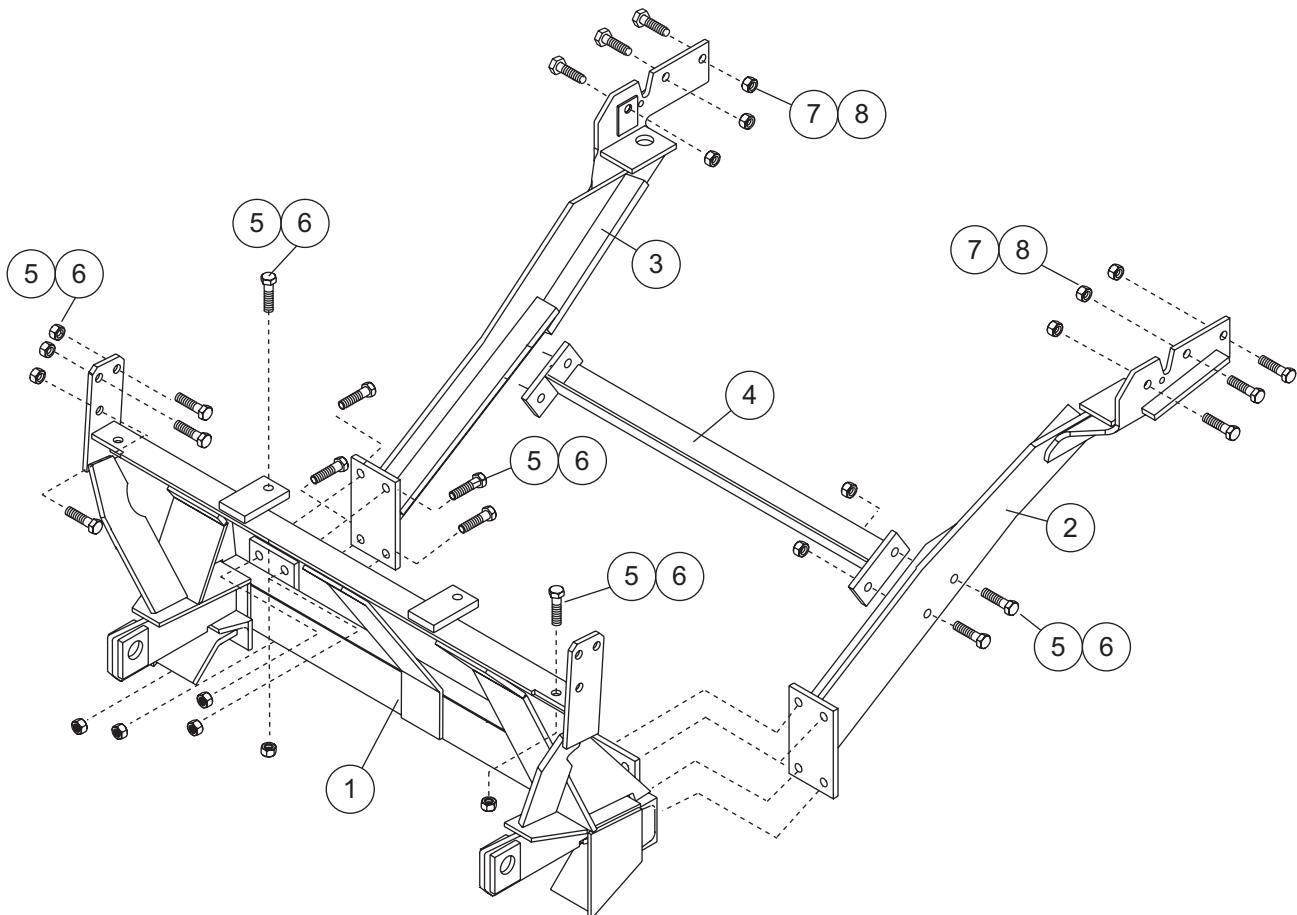
# Minute<sup>2</sup> SYSTEM

## MOUNT KIT

**Mitsubishi FG**

**1998 - 04**

### Parts List



# 7162-1

7162-1 Mount Kit							
Item	Part	Qty	Description	Item	Part	Qty	Description
1	22449	1	Pushplate Assembly	4	26796	1	Spreader
2	26801	1	Trailing Arm – DS	ns	26860	1	Bolt Bag – 7162-1
3	26802	1	Trailing Arm – PS				
26860 Bolt Bag – 7162-1							
5	90210	22	1/2-13 x 1-1/2 Hex Cap Screw G5	7	90404	6	M12 x 1.25 x 40 Hex Cap Screw G8.8
6	90355	22	1/2-13 Hex Locknut GB	8	90471	6	M12 x 1.25 Hex Locknut G9
ns = not shown				G = grade			

Copyright © 2005 Douglas Dynamics, L.L.C. All rights reserved. This material may not be reproduced or copied, in whole or in part, in any printed, mechanical, electronic, film or other distribution and storage media, without the written consent of Fisher Engineering. Authorization to photocopy items for internal or personal use by Fisher Engineering outlets or snowplow owner is granted.

Fisher Engineering reserves the right under its product improvement policy to change construction or design details and furnish equipment when so altered without reference to illustrations or specifications used. Fisher Engineering and the vehicle manufacturer may require and/or recommend optional equipment for snow removal. Do not exceed vehicle ratings with a snowplow. Fisher Engineering offers a limited warranty for all snowplows and accessories. See separately printed page for this important information. The following are registered (®) trademarks of Douglas Dynamics, L.L.C.: FISHER®, Minute Mount® 2.

Printed in U.S.A.