



FISHER® Snowplows w/4-Port Isolation Module Kit Selection Guide 2005 Model Year

Minute²
Mount
SYSTEM

HomesteaderTM
PERSONAL PLOW BY FISHER®

May 1, 2006
Lit. No. 27062
Rev. 05

Fisher Engineering
P.O. Box 529
Rockland, Maine 04841

This document supersedes all editions with an earlier date.

** THIS IS THE FINAL 2005 KIT SELECTION GUIDE FOR USE WITH THE 4-PORT ISOLATION MODULE ELECTRICAL SYSTEM.
NO FURTHER UPDATES WILL BE PROVIDED FOR THIS GUIDE. **

Table of Contents

General Information	3	Mitsubishi Attachment Kits	25
Selection Example	4	International Attachment Kits	27
General Motors Attachment Kits	5	Headlamp Reference Guide	28
Ford Attachment Kits	9	Snowplow Component Weights	29
Dodge Attachment Kits	18	Snowplow Weight Calculation	30
Jeep Attachment Kits	22	Ballast Inquiry Sheet	31
Nissan Attachment Kits	23	Footnote Key	32
Toyota Attachment Kits	24		

Abbreviation Key			
(2L)	Two-Lamp Light System	HYD	Hydraulic
(4L)	Four-Lamp Light System	KSG	Kit Selection Guide
2WD	Two Wheel Drive	LD	Light Duty
4WS	Four Wheel Steering (Option Code NYS)	M/C	Municipal / Commercial
ABS	Anti-Locking Braking System	MM2	Minute Mount® 2 System
AC	Air Conditioning	MS	Mild Steel
ALT	Alternator	OHC	Overhead Cam
AT	Automatic Transmission	PEC	Peculiar
Cg	Center of Gravity	RD	Regular Duty
D.I.	Direct Injection	SEHP	Solenoid Electric Hydraulic Pak
DRL	Daytime Running Lamps	SS	Stainless Steel
DRW	Dual Rear Wheel	SUV	Sport Utility Vehicle
FFV	Flex Fuel Vehicle	W/	With
FGAWR	Front Gross Axle Weight Rating	W/O	Without
GAWR	Gross Axle Weight Rating	W/WO	With or Without
GVWR	Gross Vehicle Weight Rating	WB	Wheelbase
HD	Heavy Duty	X	XBLADE™ Snowplow
HO	High Output		

FISHER® Snowplows Kit Selection Guide – 2005 Model Year

⚠ WARNING

New untitled vehicle installation of a snowplow requires National Highway Traffic Safety Administration altered vehicle certification labeling. Installer to verify that selected snowplow and ballast, if required, do not exceed GVWR or GAWR rating label and complies with FMVSS.

⚠ WARNING

Do not exceed GVWR or GAWR, including blade and ballast. The rating label is found on the driver-side vehicle door cornerpost.

General Information

The *Kit Selection Guide (KSG)* is designed to help you determine the appropriate snowplow components for a particular snowplow vehicle application. The information published in this guide is based on Federal Motor Vehicle Safety Standards (FMVSS) and a "representative" snowplow vehicle as defined in this guide. The vehicle includes a combined weight of 300 lb for occupants in the front seat location.

This *KSG* is for specific model year vehicles only and is listed on the front cover of this guide. This guide should be saved for future reference. New kit selection guides will be published for the upcoming model year and so on. The instructions on page 4 explain how to use the *Kit Selection Guide*.

The "Representative Vehicle"

Knowing that today's snowplow vehicles come in a variety of sizes and configurations (such as wheel base, engine size, and handling packages), Fisher Engineering has defined a "representative vehicle" that contains the options most likely to appear on a typical snowplow application. The "representative vehicle" includes the following options:

- 4X4 Drivetrain (unless noted)
- Spare Tire & Wheel
- Automatic Transmission
- Rear Bumper
- Air Conditioning
- Full Fluids

NOTE: If the vehicle in question does not match a vehicle listing in the *Kit Selection Guide*, or has options that differ from the "Representative Vehicle" as defined earlier, the ballast inquiry sheet must be filled out and submitted in order to determine plow availability and correct ballast amounts to maintain FMVSS compliance. Completed vehicle at no time shall exceed GVWR or GAWR.

Ballast

When ballast is required it must be secured behind the rear wheels in a manner which prevents it from sliding during normal driving. Ballast shall not exceed 1000 lb.

Fisher Engineering offers an optional ballast retainer kit (62849) for this purpose.

NOTE: The Universal Attachment Kit is recommended for vehicles with a minimum of 5,000 pounds FGAWR only. Vehicles shall be rated between 14,000 and 27,500 GVWR for 9' MC and 10' MC snowplow installations. Snowplow and ballast or second unit bodies must comply with vehicle manufacturer's stated maximum gross vehicle weight (GVWR) and axle weight (GAWR) ratings. Vehicles must measure minimum of 22.5" from road to bottom of front frame for proper installation. Ballast Inquiry Sheet, if completed in full, can be faxed to (207) 596-2767 for assistance in snowplow and ballast recommendations. Weights for all snowplow products can be found in the current *Kit Selection Guide*. Snowplow headlamp kit must conform to vehicle lamp type.

Selection Example: Acme Motors 15000 VX with Minute Mount® 2 System

- Go to the section for the appropriate manufacturer.
- Go to the subsection for the desired snowplow type:
 - Section 1:** Regular-duty blades (Homesteader™ through M-Series snowplows)
 - Section 2:** Commercial blades (XBLADE™ through MC-Series snowplows)
- Start at the left-most column, find the **model** and appropriate configuration for the vehicle. In this case, Regular Cab, 6.5 ft box, 5.3L V8 engine, 3925 Min. FGAWR.
- Locate the **peculiar light kit** for this vehicle: 27780. See Headlamp Reference Guide in the back of the *Kit Selection Guide* for more information.
- Locate the **peculiar attachment kit** for this vehicle: 1523 for Homesteader™ system or 7168 for Minute Mount® 2 system. Refer to any footnotes concerning conditions or requirements. For this example, the Minute Mount 2 system is selected and has two footnotes: 1 and 6. A complete list of footnotes is available in the back of this guide.
- Locate the acceptable **blades** at the top of the table. Only those blades with ballast weights listed are valid applications. Three short dashes (—) indicate an invalid application. A question mark (?) indicates a ballast inquiry sheet must be completed.
- For this example, there are four acceptable blades. Choose the 8' HD M. This blade requires 600 lb of ballast.
- To order components for a complete snowplow package, read down from the top of the selected blade column to determine the part numbers. Be sure to select *one* control, either joystick or hand-held. For this example, the part numbers would be:
 - 28000 (blade)
 - 27777 (common attachment / headgear kit)
 - n/a (A-frame)
 - 9840-2 (hydraulic kit)
 - 8435 (common light kit)
 - 8292 or 9400 (control)
 - 27780 (peculiar light kit, from Step 4)
 - 7168 (peculiar attachment kit, from Step 5 – *must match blade*)

2005 Acme Motors ← (1)

Section 1 of 2 ← (2)
Homesteader™ through HD blades ←

Model	Body Style	DRW	Box Option	Engine Type	Min FGAWR	Min RGAWR	Min GVWR	Peculiar Light Kit	Personal Plow system		Ballast Guidelines, lbs (1)	MM2 system		Ballast Guidelines, lbs (1)					
									Peculiar Att.Kit	Notes		Peculiar Att.Kit	Notes	7-1/2' LD	7-1/2' RD M	8' HD M	8-1/2' HD M	9'	
15000 RS	Reg Cab	No	6.5 Box	4.3L V6	3925	3750	6400	HB3/HB4 use 27780	1523	6,8	---	100	7168	6	300	450	600	600	---
15000 TU	Reg Cab	No	6.5 Box	4.8L V8	3925	3750	6400		1523	6,8	---	150	7168	6	350	500	600	650	---
15000 VX	Reg Cab	No	6.5 Box	5.3L V8	3925	3750	6400		1523	6,8	---	150	7168	6	350	500	600	650	---

Homesteader™	
Blade Length	6'-8" 7'-4"
Blade Assembly	Personal Personal
Blade Part Number	27547 27549
Common Attachment Kit / Headgear Kit	27550 27550
A-Frame Kit	n/a n/a
Hydraulic Kit	27517 27517
Common Light	8435
Choose a Hand-Held Control or a Joystick Control	9400 8292

Minute Mount® 2				
7-1/2' LD	7-1/2' RD M	8' HD M	8-1/2' HD M	9'
27775	27500	28000	28500	29000
27750-1	27777	27777	27777	27777
n/a	n/a	n/a	n/a	n/a
9825-1	9840-2	9840-2	9840-2	9840-2
			8435	
			9400	
			8292	

Notes:
1. Ballast amounts are based on a "Representative Vehicle," defined in the vehicle selection guide instructions, and must be modified for all other configurations for axle and GVWR compliance.

6. All New Style Only (2nd # in model # is 5 not 0) example: K15903. Refer to label in glove box for model number.
8. These Snowplows Are For Personal/Homeowner Use Only.

2005 General Motors

Section 1 of 2

Homesteader™ through HD blades



Blade Length	6'-8"	7'-4"
Blade Assembly	Personal	Personal
Blade Part Number	27547	27549
Common Attachment Kit / Headgear Kit	27550	27550
A-Frame Kit	n/a	n/a
Hydraulic Kit	27517	27517
Common Light	8435	
Choose a Hand-Held Control or a Joystick Control	9400	
	8292	



6'-9" LD	7-1/2" LD	7-1/2" RD M	8" HD M	8-1/2" HD M	9" HD M
28069	27775	27500	28000	28500	29000
27750-1	27750-1	27777	27777	27777	27777
n/a	n/a	n/a	n/a	n/a	n/a
9825-1	9825-1	9840-2	9840-2	9840-2	9840-2
8435					
9400					
8292					

Model	Body Style	DRW	Box Option	Engine Type	Min F G A W R	Min R G A W R	Min G V W R	Peculiar Light Kit	Personal Plow system		Ballast Guidelines, lbs (1)		MM2 system		Ballast Guidelines, lbs (1)						
									Peculiar Att.Kit	Notes			Peculiar Att.Kit	Notes							
TRAILBLAZER/ENVOY	SU-4DR	No	---	4.2L I6	2950	3200	5750	HB3/HB4 use 28028	1533-1	8	100	200	n/a	---	---	---	---	---	---	---	---
TRAILBLAZER EXT/ENVOY XL	SU-4DR	No	---	4.2L I6	3200	3400	6400		1533-1	8	0	0	n/a	---	---	---	---	---	---	---	---
TRAILBLAZER EXT/ENVOY XL	SU-4DR	No	---	5.3L V8	3200	3400	6400		1533-1	8	0	0	n/a	---	---	---	---	---	---	---	---
AVALANCHE 1500	SU-4DR	No	---	5.3L V8	3800	4000	7000	HB3/HB4 use 27780	1523	3,6,8	---	0	7168	6	---	0	---	---	---	---	---
TAHOE/YUKON 1500	SU-4DR	No	---	4.8L V8	3600	3800	6900		1523	3,6,8	---	0	7160	6	---	250	---	---	---	---	---
TAHOE/YUKON 1500	SU-4DR	No	---	4.8L V8	3350	3800	6800		1523	3,6,8	---	0	n/a	---	---	---	---	---	---	---	---
TAHOE/YUKON 1500	SU-4DR	No	---	5.3L V8	3600	3800	6900		1523	3,6,8	---	0	7160	6	---	250	---	---	---	---	---
TAHOE/YUKON 1500	SU-4DR	No	---	5.3L V8	3350	3800	6800		1523	3,6,8	---	0	n/a	---	---	---	---	---	---	---	---
TAHOE/YUKON 1500	SU-4DR	No	---	5.3L BIF	3600	3800	6900		1523	3,6,8	---	0	7160	6	---	300	---	---	---	---	---
TAHOE/YUKON 1500	SU-4DR	No	---	5.3L BIF	3350	3800	6800		1523	3,6,8	---	0	n/a	---	---	---	---	---	---	---	---
YUKON DENALI	SU-4DR	No	---	6.0L V8	3550	4000	7000		1523	3,6,8	---	0	n/a	---	---	---	---	---	---	---	---
YUKON DENALI +3RD Row Seat	SU-4DR	No	---	6.0L V8	3550	4000	7000		1523	3,6,8	---	0	n/a	---	---	---	---	---	---	---	---
YUKON XL DENALI	SU-4DR	No	---	6.0L V8	3600	4000	8500		1523	3,6,8	---	0	n/a	---	---	---	---	---	---	---	---
SUBURBAN/YUKON XL 1500	SU-4DR	No	---	5.3L BIF	3600	4000	7200		1523	3,6,8	---	0	n/a	---	---	---	---	---	---	---	---
COLORADO/CANYON Z71	Reg Cab	No	6.1 Box	2.8L I4	2753	2896	5150		HB3/HB4 US use 27480-1 or HB3/HB4 Canada use 8437-1 & 28555	31543	3,8	50	100	7175	3	700	800	---	---	---	---
COLORADO/CANYON Z71	Reg Cab	No	6.1 Box	3.5L I5	2753	2896	5150			31543	3,8	100	100	n/a	---	---	---	---	---	---	---
COLORADO/CANYON Z71	Ext Cab	No	6.1 Box	2.8L I4	2753	2896	5300			31543	3,8	50	100	n/a	---	---	---	---	---	---	---
COLORADO/CANYON Z71	Ext Cab	No	6.1 Box	3.5L I5	2753	2896	5300	31543		3,8	250	350	n/a	---	---	---	---	---	---	---	
COLORADO/CANYON Z71	Crew Cab	No	5.0 Box	3.5L I5	2753	2896	5300	31543		3,8	250	350	n/a	---	---	---	---	---	---	---	
COLORADO/CANYON Z85	Reg Cab	No	6.1 Box	2.8L I4	2753	2896	5150	31543		3,8	50	100	7175	3	700	800	---	---	---	---	
COLORADO/CANYON Z85	Reg Cab	No	6.1 Box	3.5L I5	2753	2896	5150	31543		3,8	100	100	n/a	---	---	---	---	---	---	---	
COLORADO/CANYON Z85	Ext Cab	No	6.1 Box	2.8L I4	2753	2896	5300	31543		3,8	50	100	n/a	---	---	---	---	---	---	---	
COLORADO/CANYON Z85	Ext Cab	No	6.1 Box	3.5L I5	2753	2896	5300	31543		3,8	200	300	n/a	---	---	---	---	---	---	---	
COLORADO/CANYON Z85	Crew Cab	No	5.0 Box	2.8L I4	2753	2896	5300	31543		3,8	0	50	n/a	---	---	---	---	---	---	---	
COLORADO/CANYON Z85	Crew Cab	No	5.0 Box	3.5L I5	2753	2896	5300	31543		3,8	250	350	n/a	---	---	---	---	---	---	---	

Notes:
 1. Ballast amounts are based on a "Representative Vehicle," defined in the vehicle selection guide instructions, and must be modified for all other configurations for axle and GVWR compliance.
 3. Requires bumper notching.

6. All New Style Only (2nd # in model # is 5 not 0) example: K15903. Refer to label in glove box for model number.
 8. These Snowplows Are For Personal/Homeowner Use Only.

2005 General Motors

Section 1 of 2

Homesteader™ through HD blades



Blade Length	6'-8"	7'-4"
Blade Assembly	Personal	Personal
Blade Part Number	27547	27549
Common Attachment Kit / Headgear Kit	27550	27550
A-Frame Kit	n/a	n/a
Hydraulic Kit	27517	27517
Common Light	8435	
Choose a Hand-Held Control or a Joystick Control	9400	
	8292	



6'-9" LD	7-1/2' LD	7-1/2' RD M	8' HD M	8-1/2' HD M	9' HD M
28069	27775	27500	28000	28500	29000
27750-1	27750-1	27777	27777	27777	27777
n/a	n/a	n/a	n/a	n/a	n/a
9825-1	9825-1	9840-2	9840-2	9840-2	9840-2
8435					
9400					
8292					

Model	Body Style	DRW	Box Option	Engine Type	Min F G A W R	Min R G A W R	Min G V W R	Peculiar Light Kit	Personal Plow system		Ballast Guidelines, lbs (1)	MM2 system		Ballast Guidelines, lbs (1)						
									Peculiar Att.Kit	Notes		Peculiar Att.Kit	Notes							
K1500 SILV/SIERRA	Reg Cab	No	6.5 Box	4.3L V6	3925	3750	6400		1523	3,6,8	---	0	7168	6	---	250	400	500	500	---
K1500 SILV/SIERRA	Reg Cab	No	6.5 Box	4.8L V8	3925	3750	6400		1523	3,6,8	---	50	7168	6	---	300	400	---	---	---
K1500 SILV/SIERRA	Reg Cab	No	6.5 Box	5.3L V8	3925	3750	6400		1523	3,6,8	---	50	7168	6	---	300	400	---	---	---
K1500 SILV/SIERRA	Reg Cab	No	8.0 Box	4.3L V6	3925	3750	6400		1523	3,6,8	---	50	7168	6	---	250	400	550	---	---
K1500 SILV/SIERRA	Reg Cab	No	8.0 Box	4.8L V8	3925	3750	6400		1523	3,6,8	---	50	7168	6	---	300	400	---	---	---
K1500 SILV/SIERRA	Reg Cab	No	8.0 Box	5.3L V8	3925	3750	6400		1523	3,6,8	---	100	7168	6	---	300	400	---	---	---
K1500 SILV/SIERRA	Ext Cab	No	6.5 Box	4.8L V8	3925	3750	6400		1523	3,6,8	---	50	7168	6	---	300	---	---	---	---
K1500 SILV/SIERRA	Ext Cab	No	6.5 Box	5.3L V8 HO	3925	3750	6400		1523	3,6,8	---	50	7168	6	---	250	400	---	---	---
K1500 SILV/SIERRA	Ext Cab	No	8.0 Box	4.8L V8	3925	3750	6400		1523	3,6,8	---	50	7168	6	---	350	---	---	---	---
K1500 SILV/SIERRA	Ext Cab	No	8.0 Box	5.3L V8	3925	3750	6400		1523	3,6,8	---	50	7168	6	---	350	---	---	---	---
K1500 SILV/SIERRA	Crew Cab	No	5.8 Box	5.3L V8	3925	4000	7000		1523	3,6,8	---	0	7168	6	---	450	---	---	---	---
K1500 SILV/SIERRA w/4WS	Ext Cab	No	6.5 Box	4.8L V8	3925	4000	6900		1523	3,6,8	---	0	7168	6	---	50	---	---	---	---
K1500 SILV/SIERRA w/4WS	Ext Cab	No	6.5 Box	5.3L V8	3925	4000	6900		1523	3,6,8	---	0	7168	6	---	50	---	---	---	---
SIERRA DENALI	Crew Cab	No	5.8 Box	6.0L V8	3925	4000	7000		1523	3,6,8	---	0	7168	3,6	---	550	---	---	---	---
K1500HD SILV/SIERRA	Crew Cab	No	6.5 Box	6.0L V8	4410	6000	8600		n/a	---	---	---	7169	6	---	200	900	---	---	---
K2500HD SILV/SIERRA	Reg Cab	No	8.0 Box	6.0L V8	4800	6084	9200	HB3/HB4 use 27780	n/a	---	---	---	7169	6	---	---	200	300	300	300
K2500HD SILV/SIERRA	Reg Cab	No	8.0 Box	6.0L V8	4500	6084	9200		n/a	---	---	---	7169	6	---	---	200	300	300	300
K2500HD SILV/SIERRA	Reg Cab	No	8.0 Box	6.6L D	4800	6084	9200		n/a	---	---	---	7169	6	---	---	350	850	950	1000
K2500HD SILV/SIERRA	Reg Cab	No	8.0 Box	8.1L V8	4800	6084	9200		n/a	---	---	---	7169	6	---	---	250	350	400	400
K2500HD SILV/SIERRA	Reg Cab	No	8.0 Box	8.1L V8	4500	6084	9200		n/a	---	---	---	7169	6	---	---	700	---	---	---
K2500HD SILV/SIERRA	Ext Cab	No	6.5 Box	6.0L V8	4800	6084	9200		n/a	---	---	---	7169	6	---	---	300	400	450	450
K2500HD SILV/SIERRA	Ext Cab	No	6.5 Box	6.0L V8	4670	6084	9200		n/a	---	---	---	7169	6	---	---	300	400	450	450
K2500HD SILV/SIERRA	Ext Cab	No	6.5 Box	6.6L D	4800	6084	9200		n/a	---	---	---	7169	6	---	---	900	---	---	---
K2500HD SILV/SIERRA	Ext Cab	No	6.5 Box	8.1L V8	4800	6084	9200		n/a	---	---	---	7169	6	---	---	400	800	850	950
K2500HD SILV/SIERRA	Ext Cab	No	6.5 Box	8.1L V8	4670	6084	9200		n/a	---	---	---	7169	6	---	---	700	---	---	---
K2500HD SILV/SIERRA	Ext Cab	No	8.0 Box	6.0L V8	4800	6084	9200		n/a	---	---	---	7169	6	---	---	250	350	350	350
K2500HD SILV/SIERRA	Ext Cab	No	8.0 Box	8.1L V8	4800	6084	9200		n/a	---	---	---	7169	6	---	---	350	950	1000	---
K2500HD SILV/SIERRA	Crew Cab	No	6.5 Box	6.0L V8	4800	6084	9200		n/a	---	---	---	7169	6	---	---	350	450	450	500
K2500HD SILV/SIERRA	Crew Cab	No	6.5 Box	8.1L V8	4800	6084	9200		n/a	---	---	---	7169	6	---	---	850	---	---	---
K2500HD SILV/SIERRA	Crew Cab	No	8.0 Box	6.0L V8	4800	6084	9200		n/a	---	---	---	7169	6	---	---	200	300	300	300
K2500HD SILV/SIERRA	Crew Cab	No	8.0 Box	8.1L V8	4800	6084	9200		n/a	---	---	---	7169	6	---	---	800	---	---	---
K2500HD SILV/SIERRA	All	No	Chassis	All	All	All	8501		n/a	---	---	---	7169	6	---	---	?	?	?	?

- Notes:
- Ballast amounts are based on a "Representative Vehicle," defined in the vehicle selection guide instructions, and must be modified for all other configurations for axle and GVWR compliance.
 - Requires bumper notching.

- All New Style Only (2nd # in model # is 5 not 0) example: K15903. Refer to label in glove box for model number.
- These Snowplows Are For Personal/Homeowner Use Only.

2005 General Motors

Section 1 of 2

Homesteader™ through HD blades



Blade Length	6'-8"	7'-4"
Blade Assembly	Personal	Personal
Blade Part Number	27547	27549
Common Attachment Kit / Headgear Kit	27550	27550
A-Frame Kit	n/a	n/a
Hydraulic Kit	27517	27517
Common Light	8435	
Choose a Hand-Held Control or a Joystick Control	9400	
	8292	



6'-9" LD	7'-1/2' LD	7'-1/2' RD M	8' HD M	8'-1/2' HD M	9' HD M
28069	27775	27500	28000	28500	29000
27750-1	27750-1	27777	27777	27777	27777
n/a	n/a	n/a	n/a	n/a	n/a
9825-1	9825-1	9840-2	9840-2	9840-2	9840-2
8435					
9400					
8292					

Model	Body Style	DRW	Box Option	Engine Type	Min F G A W R	Min R G A W R	Min G V W R	Peculiar Light Kit	Personal Plow system		Ballast Guidelines, lbs (1)	MM2 system		Ballast Guidelines, lbs (1)						
									Peculiar Att.Kit	Notes		Peculiar Att.Kit	Notes							
K3500 SILV/SIERRA	Reg Cab	No	8.0 Box	6.0L V8	4800	6500	9900		n/a	---	---	---	7169	6	---	---	---	200	250	250
K3500 SILV/SIERRA	Reg Cab	No	8.0 Box	6.6L D	4800	6500	9900		n/a	---	---	---	7169	6	---	---	---	750	800	900
K3500 SILV/SIERRA	Reg Cab	No	8.0 Box	8.1L V8	4800	6500	9900		n/a	---	---	---	7169	6	---	---	---	350	400	400
K3500 SILV/SIERRA	Reg Cab	Yes	8.0 Box	6.0L V8	4800	8550	11400		n/a	---	---	---	7169	6	---	---	---	---	150	150
K3500 SILV/SIERRA	Reg Cab	Yes	8.0 Box	6.6L D	4800	8550	11400		n/a	---	---	---	7169	6	---	---	---	---	1000	---
K3500 SILV/SIERRA	Reg Cab	Yes	8.0 Box	8.1L V8	4800	8550	11400		n/a	---	---	---	7169	6	---	---	---	---	450	500
K3500 SILV/SIERRA	Ext Cab	No	8.0 Box	6.0L V8	4800	6500	9900		n/a	---	---	---	7169	6	---	---	---	100	100	150
K3500 SILV/SIERRA	Ext Cab	Yes	8.0 Box	6.0L V8	4800	6500	9900		n/a	---	---	---	7169	6	---	---	---	---	50	50
K3500 SILV/SIERRA	Crew Cab	No	8.0 Box	6.0L V8	4800	6500	9900	HB3/HB4 use 27780	n/a	---	---	---	7169	6	---	---	---	100	100	100
K3500 SILV/SIERRA	Crew Cab	No	8.0 Box	8.1L V8	4800	6500	9900		n/a	---	---	---	7169	6	---	---	---	900	1000	---
K3500 SILV/SIERRA	Crew Cab	Yes	8.0 Box	6.0L V8	4800	8550	11400		n/a	---	---	---	7169	6	---	---	---	---	50	150
K3500 SILV/SIERRA	All	No	Chassis	All	All	All	8501		n/a	---	---	---	7169	6	---	---	---	?	?	?
K3500 SILV/SIERRA	All	Yes	Chassis	All	All	All	8501		n/a	---	---	---	7169	6	---	---	---	---	?	?
C3500 SILV/SIERRA	Ext Cab	Yes	8.0 Box	6.0L V8	4670	8550	11400		n/a	---	---	---	7169	6	---	---	---	---	0	0
C3500 SILV/SIERRA	Ext Cab	Yes	8.0 Box	8.1L V8	4670	8550	11400		n/a	---	---	---	7169	6	---	---	---	---	550	650
C3500 SILV/SIERRA	Crew Cab	Yes	8.0 Box	6.0L V8	4670	8550	11400		n/a	---	---	---	7169	6	---	---	---	---	0	0
C3500 SILV/SIERRA	All	Yes	Chassis	All	All	All	10001		n/a	---	---	---	7169	6	---	---	---	---	?	?

- Notes:
- Ballast amounts are based on a "Representative Vehicle," defined in the vehicle selection guide instructions, and must be modified for all other configurations for axle and GVWR compliance.
 - All New Style Only (2nd # in model # is 5 not 0) example: K15903. Refer to label in glove box for model number.

2005 General Motors

Section 2 of 2 XBLADE™ through MC blades



Blade Length
Blade Assembly
Blade Part Number
Common Attachment Kit / Headgear Kit
A-Frame Kit
Hydraulic Kit
Common Light
Choose a Hand-Held Control
or a new Hand-Held Control
or a Joystick Control

7-1/2'	7-1/2'	8'	8'	8-1/2'	8-1/2'	9'	9'	8-1/2'	9-1/2'	9'	10'
X SS	X MS	X SS	X MS	X SS	X MS	X SS	X MS	EZ-V®	EZ-V	MC	MC
27510	27512	28100	28200	28510	28520	29100	29200	28885	28895	29250	29350
28900	27777	28900	27777	28900	27777	28900	27777	28888	28888	29999	29999
n/a	n/a	n/a	n/a	n/a	n/a	n/a	n/a	n/a	n/a	28665	28665
9840-2	9840-2	9840-2	9840-2	9840-2	9840-2	9840-2	9840-2	9828-4	9828-4	9835-1	9835-1
8435											
9400									n/a		9400
n/a									9800		n/a
8292									9900		8292

Model	Body Style	DRW	Box Option	Engine Type	Min F G A W R	Min R G A W R	Min G V W R	Peculiar Light Kit	MM2 system		Ballast Guidelines, lbs (1)											
									Peculiar Att.Kit	Notes												
K2500HD SILV/SIERRA	Reg Cab	No	8.0 Box	6.0L V8	4800	6084	9200		7169	6	300	300	350	350	350	350	400	400	300	350	---	---
K2500HD SILV/SIERRA	Reg Cab	No	8.0 Box	6.0L V8	4500	6084	9200		7169	6	300	300	350	350	400	400	500	500	300	450	---	---
K2500HD SILV/SIERRA	Reg Cab	No	8.0 Box	6.6L D	4800	6084	9200		7169	6	950	950	---	---	---	---	---	---	---	---	---	---
K2500HD SILV/SIERRA	Reg Cab	No	8.0 Box	8.1L V8	4800	6084	9200		7169	6	400	400	550	550	700	700	800	800	450	750	---	---
K2500HD SILV/SIERRA	Ext Cab	No	6.5 Box	6.0L V8	4800	6084	9200		7169	6	450	450	500	500	500	500	550	550	450	500	---	---
K2500HD SILV/SIERRA	Ext Cab	No	6.5 Box	6.0L V8	4670	6084	9200		7169	6	450	450	500	500	500	500	550	550	450	500	---	---
K2500HD SILV/SIERRA	Ext Cab	No	6.5 Box	8.1L V8	4800	6084	9200		7169	6	900	900	---	---	---	---	---	---	---	---	---	---
K2500HD SILV/SIERRA	Ext Cab	No	8.0 Box	6.0L V8	4800	6084	9200		7169	6	350	350	400	400	450	450	450	450	350	400	---	---
K2500HD SILV/SIERRA	Crew Cab	No	6.5 Box	6.0L V8	4800	6084	9200		7169	6	450	450	500	500	550	550	550	550	450	550	---	---
K2500HD SILV/SIERRA	Crew Cab	No	8.0 Box	6.0L V8	4800	6084	9200		7169	6	300	300	350	350	350	350	500	500	300	450	---	---
K2500HD SILV/SIERRA	All	No	Chassis	All	All	All	8501		7169	6	?	?	?	?	?	?	?	?	?	?	---	---
K3500 SILV/SIERRA	Reg Cab	No	8.0 Box	6.0L V8	4800	6500	9900		7169	6	250	250	300	300	300	300	350	350	250	300	---	---
K3500 SILV/SIERRA	Reg Cab	No	8.0 Box	6.6L D	4800	6500	9900		7169	6	850	850	---	---	---	---	---	---	1000	---	---	---
K3500 SILV/SIERRA	Reg Cab	No	8.0 Box	8.1L V8	4800	6500	9900	HB3/HB4 use 27780	7169	6	400	400	550	550	650	650	800	800	400	700	---	---
K3500 SILV/SIERRA	Reg Cab	Yes	8.0 Box	6.0L V8	4800	8550	11400		7169	6	---	---	---	---	200	200	250	250	150	200	---	---
K3500 SILV/SIERRA	Reg Cab	Yes	8.0 Box	8.1L V8	4800	8550	11400		7169	6	---	---	---	---	850	850	950	950	600	900	---	---
K3500 SILV/SIERRA	Ext Cab	No	8.0 Box	6.0L V8	4800	6500	9900		7169	6	100	100	150	150	200	200	200	200	150	200	---	---
K3500 SILV/SIERRA	Ext Cab	Yes	8.0 Box	6.0L V8	4800	6500	9900		7169	6	---	---	---	---	100	100	150	150	50	100	---	---
K3500 SILV/SIERRA	Crew Cab	No	8.0 Box	6.0L V8	4800	6500	9900		7169	6	100	100	150	150	200	200	200	200	100	150	---	---
K3500 SILV/SIERRA	Crew Cab	Yes	8.0 Box	6.0L V8	4800	8550	11400		7169	6	---	---	---	---	550	550	700	700	300	650	---	---
K3500 SILV/SIERRA	All	No	Chassis	All	All	All	8501		7169	6	?	?	?	?	?	?	?	?	?	?	---	---
K3500 SILV/SIERRA	All	Yes	Chassis	All	All	All	8501		7169	6	---	---	---	---	?	?	?	?	?	?	---	---
C3500 SILV/SIERRA	Ext Cab	Yes	8.0 Box	6.0L V8	4670	8550	11400		7169	6	---	---	---	---	50	50	50	50	0	---	---	---
C3500 SILV/SIERRA	Ext Cab	Yes	8.0 Box	8.1L V8	4670	8550	11400		7169	6	---	---	---	---	1000	1000	---	---	800	---	---	---
C3500 SILV/SIERRA	Crew Cab	Yes	8.0 Box	6.0L V8	4670	8550	11400		7169	6	---	---	---	---	0	0	50	50	0	---	---	---
C3500 SILV/SIERRA	All	Yes	Chassis	All	All	All	10001		7169	6	---	---	---	---	?	?	?	?	?	?	---	---
C4500	All	Yes	Chassis	All	All	All	10001	2B use 27890 or 1A/2A use 27890	7177	42	---	---	---	---	?	?	?	?	---	?	?	---
C4500	All	Yes	Chassis	All	All	All	10001		7171	41	---	---	---	---	?	?	?	?	---	?	?	---
C5500	All	Yes	Chassis	All	All	All	10001		7177	42	---	---	---	---	?	?	?	?	---	?	?	---
C5500	All	Yes	Chassis	All	All	All	10001		7171	41	---	---	---	---	?	?	?	?	---	?	?	---

Notes:
1. Ballast amounts are based on a "Representative Vehicle," defined in the vehicle selection guide instructions, and must be modified for all other configurations for axle and GVWR compliance.
6. All New Style Only (2nd # in model # is 5 not 0) example: K15903. Refer to label in glove box for model number.

41. 4X2.
42. 4X4.

2005 Ford

Section 1 of 2

Homesteader™ through HD blades



Blade Length	6'-8"	7'-4"
Blade Assembly	Personal	Personal
Blade Part Number	27547	27549
Common Attachment Kit / Headgear Kit	27550	27550
A-Frame Kit	n/a	n/a
Hydraulic Kit	27517	27517
Common Light	8435	
Choose a Hand-Held Control or a Joystick Control	9400	
	8292	



6'-9" LD	7'-1/2" LD	7'-1/2" RD M	8' HD M	8-1/2' HD M	9' HD M
28069	27775	27500	28000	28500	29000
27750-1	27750-1	27777	27777	27777	27777
n/a	n/a	n/a	n/a	n/a	n/a
9825-1	9825-1	9840-2	9840-2	9840-2	9840-2
8435					
9400					
8292					

Model	Body Style	DRW	Box Option	Engine Type	Min F G A W R	Min R G A W R	Min G V W R	Peculiar Light Kit	Personal Plow system		Ballast Guidelines, lbs (1)	MM2 system		Ballast Guidelines, lbs (1)						
									Peculiar Att.Kit	Notes		Peculiar Att.Kit	Notes							
F150	Super Cab	No	5.5 Box	4.6L V8	3750	3800	6900		1233	8	---	0	7174	3	---	650	---	---	---	---
F150	Super Cab	No	5.5 Box	5.4L V8	3750	3850	7150		1233	8	---	0	n/a	---	---	---	---	---	---	---
F150	Super Cab	No	5.5 Box	5.4L V8	3600	3850	7150		1233	8	---	400	n/a	---	---	---	---	---	---	---
F150	Super Cab	No	6.5 Box	4.6L V8	3900	3800	6950		1233	8	---	0	7174	3	---	550	---	---	---	---
F150	Super Cab	No	6.5 Box	4.6L V8	3750	3800	6950		1233	8	---	0	n/a	---	---	---	---	---	---	---
F150	Super Cab	No	6.5 Box	4.6L V8	3600	3800	6950		1233	8	---	500	n/a	---	---	---	---	---	---	---
F150	Super Cab	No	6.5 Box	5.4L V8	3900	3850	7200		1233	8	---	0	7174	3	---	800	---	---	---	---
F150	Super Cab	No	6.5 Box	5.4L V8	3750	3850	7200		1233	8	---	150	n/a	---	---	---	---	---	---	---
F150	Super Cab	No	8.0 Box	5.4L V8	4050	4800	8200		1233	8	---	0	n/a	---	---	---	---	---	---	---
F150	SuperCrew	No	5.5 Box	4.6L V8	3750	3800	6900		1233	8	---	0	n/a	---	---	---	---	---	---	---
F150	SuperCrew	No	5.5 Box	4.6L V8	3600	3800	6900		1233	8	---	400	n/a	---	---	---	---	---	---	---
F150	SuperCrew	No	5.5 Box	5.4L V8	3900	3850	7200		1233	8	---	0	7174	3	---	750	---	---	---	---
F150	SuperCrew	No	5.5 Box	5.4L V8	3750	3850	7200		1233	8	---	100	n/a	---	---	---	---	---	---	---
F150	SuperCrew	No	5.5 Box	5.4L V8	3600	3850	7200		1233	8	---	700	n/a	---	---	---	---	---	---	---
F250 SUPER DUTY	Reg Cab	No	8.0 Box	5.4L V8	5600	6100	9000		n/a	---	---	---	7176	2,10	---	---	350	450	500	500
F250 SUPER DUTY	Reg Cab	No	8.0 Box	5.4L V8	5200	6100	9000		n/a	---	---	---	7176	2,10	---	---	350	450	500	500
F250 SUPER DUTY	Reg Cab	No	8.0 Box	5.4L V8	4800	6100	9000		n/a	---	---	---	7176	2,10	---	---	350	650	700	800
F250 SUPER DUTY	Reg Cab	No	8.0 Box	6.0L D	6000	6100	9200		n/a	---	---	---	7176	2,10	---	---	550	650	650	650
F250 SUPER DUTY	Reg Cab	No	8.0 Box	6.0L D	5600	6100	9200		n/a	---	---	---	7176	2,10	---	---	550	650	650	650
F250 SUPER DUTY	Reg Cab	No	8.0 Box	6.0L D	5200	6100	9200		n/a	---	---	---	7176	2,10	---	---	550	---	---	---
F250 SUPER DUTY	Reg Cab	No	8.0 Box	6.8L V10	5600	6100	9200		n/a	---	---	---	7176	2,10	---	---	400	500	500	550
F250 SUPER DUTY	Reg Cab	No	8.0 Box	6.8L V10	5200	6100	9200		n/a	---	---	---	7176	2,10	---	---	400	500	500	550
F250 SUPER DUTY	Reg Cab	No	8.0 Box	6.8L V10	4800	6100	9200		n/a	---	---	---	7176	2,10	---	---	400	950	---	---
F250 SUPER DUTY	Super Cab	No	6.8 Box	5.4L V8	5600	6100	9200		n/a	---	---	---	7176	2,10	---	---	300	450	450	450
F250 SUPER DUTY	Super Cab	No	6.8 Box	5.4L V8	5200	6100	9200		n/a	---	---	---	7176	2,10	---	---	300	450	450	450
F250 SUPER DUTY	Super Cab	No	6.8 Box	5.4L V8	4800	6100	9200		n/a	---	---	---	7176	2,10	---	---	350	1000	---	---
F250 SUPER DUTY	Super Cab	No	6.8 Box	6.0L D	6000	6100	9800		n/a	---	---	---	7176	2,10	---	---	500	600	600	650
F250 SUPER DUTY	Super Cab	No	6.8 Box	6.0L D	5600	6100	9800		n/a	---	---	---	7176	2,10	---	---	500	600	600	650
F250 SUPER DUTY	Super Cab	No	6.8 Box	6.0L D	5200	6100	9800		n/a	---	---	---	7176	2,10	---	---	850	---	---	---
F250 SUPER DUTY	Super Cab	No	6.8 Box	6.8L V10	5600	6100	9400		n/a	---	---	---	7176	2,10	---	---	350	450	500	500
F250 SUPER DUTY	Super Cab	No	6.8 Box	6.8L V10	5200	6100	9400		n/a	---	---	---	7176	2,10	---	---	350	450	500	500
F250 SUPER DUTY	Super Cab	No	6.8 Box	6.8L V10	4800	6100	9400		n/a	---	---	---	7176	2,10	---	---	700	---	---	---

Notes:
 1. Ballast amounts are based on a "Representative Vehicle," defined in the vehicle selection guide instructions, and must be modified for all other configurations for axle and GVWR compliance.
 2. Recommended snowplow prep package whenever available.

3. Requires bumper notching.
 8. These Snowplows Are For Personal/Homeowner Use Only.
 10. May require bumper or air dam notching.

2005 Ford

Section 1 of 2 Homesteader™ through HD blades



Blade Length	6'-8"	7'-4"
Blade Assembly	Personal	Personal
Blade Part Number	27547	27549
Common Attachment Kit / Headgear Kit	27550	27550
A-Frame Kit	n/a	n/a
Hydraulic Kit	27517	27517
Common Light	8435	
Choose a Hand-Held Control or a Joystick Control	9400	
	8292	



6'-9" LD	7'-1/2" LD	7'-1/2" RD M	8' HD M	8-1/2' HD M	9' HD M
28069	27775	27500	28000	28500	29000
27750-1	27750-1	27777	27777	27777	27777
n/a	n/a	n/a	n/a	n/a	n/a
9825-1	9825-1	9840-2	9840-2	9840-2	9840-2
8435					
9400					
8292					

Model	Body Style	DRW	Box Option	Engine Type	Min F G A W R	Min R G A W R	Min G V W R	Peculiar Light Kit	Personal Plow system		Ballast Guidelines, lbs (1)	MM2 system		Ballast Guidelines, lbs (1)					
									Peculiar Att.Kit	Notes		Peculiar Att.Kit	Notes						
F250 SUPER DUTY	Super Cab	No	8.0 Box	5.4L V8	5600	6100	9400		n/a	---	---	7176	2,10	---	---	300	450	450	450
F250 SUPER DUTY	Super Cab	No	8.0 Box	5.4L V8	5200	6100	9400		n/a	---	---	7176	2,10	---	---	300	450	450	450
F250 SUPER DUTY	Super Cab	No	8.0 Box	5.4L V8	4800	6100	9400		n/a	---	---	7176	2,10	---	---	800	---	---	---
F250 SUPER DUTY	Super Cab	No	8.0 Box	6.0L D	6000	6100	10000		n/a	---	---	7176	2,10	---	---	500	600	650	650
F250 SUPER DUTY	Super Cab	No	8.0 Box	6.0L D	5600	6100	10000		n/a	---	---	7176	2,10	---	---	500	600	650	650
F250 SUPER DUTY	Super Cab	No	8.0 Box	6.8L V10	5600	6100	9600		n/a	---	---	7176	2,10	---	---	350	450	500	500
F250 SUPER DUTY	Super Cab	No	8.0 Box	6.8L V10	5200	6100	9600		n/a	---	---	7176	2,10	---	---	350	450	500	500
F250 SUPER DUTY	Crew Cab	No	6.8 Box	5.4L V8	5600	6100	9400		n/a	---	---	7176	2,10	---	---	300	400	400	400
F250 SUPER DUTY	Crew Cab	No	6.8 Box	5.4L V8	5200	6100	9400		n/a	---	---	7176	2,10	---	---	300	400	400	400
F250 SUPER DUTY	Crew Cab	No	6.8 Box	5.4L V8	4800	6100	9400		n/a	---	---	7176	2,10	---	---	900	---	---	---
F250 SUPER DUTY	Crew Cab	No	6.8 Box	6.0L D	6000	6100	10000		n/a	---	---	7176	2,10	---	---	450	600	600	600
F250 SUPER DUTY	Crew Cab	No	6.8 Box	6.0L D	5600	6100	10000		n/a	---	---	7176	2,10	---	---	450	600	600	600
F250 SUPER DUTY	Crew Cab	No	6.8 Box	6.8L V10	5600	6100	9600		n/a	---	---	7176	2,10	---	---	300	400	450	450
F250 SUPER DUTY	Crew Cab	No	6.8 Box	6.8L V10	5200	6100	9600		n/a	---	---	7176	2,10	---	---	300	400	450	450
F250 SUPER DUTY	Crew Cab	No	8.0 Box	5.4L V8	5600	6100	9600		n/a	---	---	7176	2,10	---	---	300	400	400	450
F250 SUPER DUTY	Crew Cab	No	8.0 Box	5.4L V8	5200	6100	9600		n/a	---	---	7176	2,10	---	---	300	400	400	450
F250 SUPER DUTY	Crew Cab	No	8.0 Box	6.8L V10	6000	6100	10000		n/a	---	---	7176	2,10	---	---	500	600	600	600
F250 SUPER DUTY	Crew Cab	No	8.0 Box	6.8L V10	5600	6100	9800		n/a	---	---	7176	2,10	---	---	350	450	450	450
F250 SUPER DUTY	Crew Cab	No	8.0 Box	6.8L V10	5600	6100	10000		n/a	---	---	7176	2,10	---	---	500	800	900	1000
F250 SUPER DUTY	Crew Cab	No	8.0 Box	6.8L V10	5200	6100	9800		n/a	---	---	7176	2,10	---	---	350	550	650	750
F250 SUPER DUTY	All	No	Chassis	All	All	All	8501		n/a	---	---	7176	2,10	---	---	?	?	?	?
F350 SUPER DUTY	Reg Cab	No	8.0 Box	5.4L V8	5600	7000	10500		n/a	---	---	7176	2,10	---	---	---	450	450	450
F350 SUPER DUTY	Reg Cab	No	8.0 Box	5.4L V8	5200	7000	10500		n/a	---	---	7176	2,10	---	---	---	450	450	450
F350 SUPER DUTY	Reg Cab	No	8.0 Box	5.4L V8	4800	7000	10500		n/a	---	---	7176	2,10	---	---	---	650	750	850
F350 SUPER DUTY	Reg Cab	No	8.0 Box	6.0L D	6000	7000	11000		n/a	---	---	7176	2,10	---	---	---	600	650	650
F350 SUPER DUTY	Reg Cab	No	8.0 Box	6.0L D	5600	7000	11000		n/a	---	---	7176	2,10	---	---	---	600	650	650
F350 SUPER DUTY	Reg Cab	No	8.0 Box	6.8L V10	5600	7000	10700		n/a	---	---	7176	2,10	---	---	---	500	500	500
F350 SUPER DUTY	Reg Cab	No	8.0 Box	6.8L V10	5200	7000	10700		n/a	---	---	7176	2,10	---	---	---	500	500	500
F350 SUPER DUTY	Reg Cab	No	8.0 Box	6.8L V10	4800	7000	10700		n/a	---	---	7176	2,10	---	---	---	1000	---	---
F350 SUPER DUTY	Reg Cab	Yes	8.0 Box	5.4L V8	5600	9000	12000		n/a	---	---	7176	2,10	---	---	---	---	300	300
F350 SUPER DUTY	Reg Cab	Yes	8.0 Box	5.4L V8	5200	9000	12000		n/a	---	---	7176	2,10	---	---	---	---	300	300
F350 SUPER DUTY	Reg Cab	Yes	8.0 Box	5.4L V8	4800	9000	12000		n/a	---	---	7176	2,10	---	---	---	---	850	950
F350 SUPER DUTY	Reg Cab	Yes	8.0 Box	6.0L D	6000	9000	12600		n/a	---	---	7176	2,10	---	---	---	---	450	500
F350 SUPER DUTY	Reg Cab	Yes	8.0 Box	6.0L D	5600	9000	12600		n/a	---	---	7176	2,10	---	---	---	---	450	500
F350 SUPER DUTY	Reg Cab	Yes	8.0 Box	6.8L V10	5600	9000	12200		n/a	---	---	7176	2,10	---	---	---	---	300	350
F350 SUPER DUTY	Reg Cab	Yes	8.0 Box	6.8L V10	5200	9000	12200		n/a	---	---	7176	2,10	---	---	---	---	300	350

H13 use 28400 or 2B use 8439

- Notes:**
- Ballast amounts are based on a "Representative Vehicle," defined in the vehicle selection guide instructions, and must be modified for all other configurations for axle and GVWR compliance.
 - Recommended snowplow prep package whenever available.
 - May require bumper or air dam notching.

2005 Ford

Section 1 of 2 Homesteader™ through HD blades



Blade Length	6'-8"	7'-4"
Blade Assembly	Personal	Personal
Blade Part Number	27547	27549
Common Attachment Kit / Headgear Kit	27550	27550
A-Frame Kit	n/a	n/a
Hydraulic Kit	27517	27517
Common Light	8435	
Choose a Hand-Held Control or a Joystick Control	9400	
	8292	



6'-9" LD	7'-1/2" LD	7'-1/2" RD M	8" HD M	8-1/2" HD M	9" HD M
28069	27775	27500	28000	28500	29000
27750-1	27750-1	27777	27777	27777	27777
n/a	n/a	n/a	n/a	n/a	n/a
9825-1	9825-1	9840-2	9840-2	9840-2	9840-2
8435					
9400					
8292					

Model	Body Style	DRW	Box Option	Engine Type	Min F G A W R	Min R G A W R	Min G V W R	Peculiar Light Kit	Personal Plow system		Ballast Guidelines, lbs (1)	MM2 system		Ballast Guidelines, lbs (1)					
									Peculiar Att.Kit	Notes		Peculiar Att.Kit	Notes						
F350 SUPER DUTY	Super Cab	No	6.8 Box	5.4L V8	5600	7000	10600		n/a	---	---	7176	2,10	---	---	---	400	400	450
F350 SUPER DUTY	Super Cab	No	6.8 Box	5.4L V8	5200	7000	10600		n/a	---	---	7176	2,10	---	---	---	400	400	450
F350 SUPER DUTY	Super Cab	No	6.8 Box	5.4L V8	4800	7000	10600		n/a	---	---	7176	2,10	---	---	---	1000	---	---
F350 SUPER DUTY	Super Cab	No	6.8 Box	6.0L D	6000	7000	11200		n/a	---	---	7176	2,10	---	---	---	600	600	600
F350 SUPER DUTY	Super Cab	No	6.8 Box	6.0L D	5600	7000	11200		n/a	---	---	7176	2,10	---	---	---	600	600	600
F350 SUPER DUTY	Super Cab	No	6.8 Box	6.8L V10	5600	7000	10800		n/a	---	---	7176	2,10	---	---	---	450	450	450
F350 SUPER DUTY	Super Cab	No	6.8 Box	6.8L V10	5200	7000	10800		n/a	---	---	7176	2,10	---	---	---	450	450	450
F350 SUPER DUTY	Super Cab	No	8.0 Box	5.4L V8	5600	7000	10800		n/a	---	---	7176	2,10	---	---	---	400	400	450
F350 SUPER DUTY	Super Cab	No	8.0 Box	5.4L V8	5200	7000	10800		n/a	---	---	7176	2,10	---	---	---	400	400	450
F350 SUPER DUTY	Super Cab	No	8.0 Box	6.0L D	6000	7000	11400		n/a	---	---	7176	2,10	---	---	---	600	600	600
F350 SUPER DUTY	Super Cab	No	8.0 Box	6.0L D	5600	7000	11400		n/a	---	---	7176	2,10	---	---	---	600	600	600
F350 SUPER DUTY	Super Cab	No	8.0 Box	6.8L V10	5600	7000	11000		n/a	---	---	7176	2,10	---	---	---	450	450	450
F350 SUPER DUTY	Super Cab	No	8.0 Box	6.8L V10	5200	7000	11000		n/a	---	---	7176	2,10	---	---	---	450	450	450
F350 SUPER DUTY	Super Cab	Yes	8.0 Box	5.4L V8	5600	9000	12400		n/a	---	---	7176	2,10	---	---	---	---	250	250
F350 SUPER DUTY	Super Cab	Yes	8.0 Box	5.4L V8	5200	9000	12400		n/a	---	---	7176	2,10	---	---	---	---	250	250
F350 SUPER DUTY	Super Cab	Yes	8.0 Box	6.0L D	6000	9000	13000		n/a	---	---	7176	2,10	---	---	---	---	450	450
F350 SUPER DUTY	Super Cab	Yes	8.0 Box	6.0L D	5600	9000	13000		n/a	---	---	7176	2,10	---	---	---	---	450	550
F350 SUPER DUTY	Super Cab	Yes	8.0 Box	6.8L V10	6000	9000	12600		n/a	---	---	7176	2,10	---	---	---	---	300	300
F350 SUPER DUTY	Super Cab	Yes	8.0 Box	6.8L V10	5600	9000	12600		n/a	---	---	7176	2,10	---	---	---	---	300	300
F350 SUPER DUTY	Super Cab	Yes	8.0 Box	6.8L V10	5200	9000	12600		n/a	---	---	7176	2,10	---	---	---	---	300	350
F350 SUPER DUTY	Crew Cab	No	6.8 Box	5.4L V8	5600	7000	10800		n/a	---	---	7176	2,10	---	---	---	350	400	400
F350 SUPER DUTY	Crew Cab	No	6.8 Box	5.4L V8	5200	7000	10800		n/a	---	---	7176	2,10	---	---	---	350	400	400
F350 SUPER DUTY	Crew Cab	No	6.8 Box	6.0L D	6000	7000	11400		n/a	---	---	7176	2,10	---	---	---	550	550	600
F350 SUPER DUTY	Crew Cab	No	6.8 Box	6.0L D	5600	7000	11400		n/a	---	---	7176	2,10	---	---	---	550	550	600
F350 SUPER DUTY	Crew Cab	No	6.8 Box	6.8L V10	5600	7000	11000		n/a	---	---	7176	2,10	---	---	---	400	400	450
F350 SUPER DUTY	Crew Cab	No	6.8 Box	6.8L V10	5200	7000	11000		n/a	---	---	7176	2,10	---	---	---	400	400	450
F350 SUPER DUTY	Crew Cab	No	8.0 Box	5.4L V8	6000	7000	11000		n/a	---	---	7176	2,10	---	---	---	400	400	400
F350 SUPER DUTY	Crew Cab	No	8.0 Box	5.4L V8	5600	7000	11000		n/a	---	---	7176	2,10	---	---	---	400	400	400
F350 SUPER DUTY	Crew Cab	No	8.0 Box	5.4L V8	5200	7000	11000		n/a	---	---	7176	2,10	---	---	---	400	400	400
F350 SUPER DUTY	Crew Cab	No	8.0 Box	6.0L D	6000	7000	11500		n/a	---	---	7176	2,10	---	---	---	550	600	600
F350 SUPER DUTY	Crew Cab	No	8.0 Box	6.0L D	5600	7000	11500		n/a	---	---	7176	2,10	---	---	---	850	950	---
F350 SUPER DUTY	Crew Cab	No	8.0 Box	6.8L V10	6000	7000	11200		n/a	---	---	7176	2,10	---	---	---	400	450	450
F350 SUPER DUTY	Crew Cab	No	8.0 Box	6.8L V10	5600	7000	11200		n/a	---	---	7176	2,10	---	---	---	400	450	450
F350 SUPER DUTY	Crew Cab	No	8.0 Box	6.8L V10	5200	7000	11200		n/a	---	---	7176	2,10	---	---	---	600	700	800

- Notes:**
- Ballast amounts are based on a "Representative Vehicle," defined in the vehicle selection guide instructions, and must be modified for all other configurations for axle and GVWR compliance.
 - Recommended snowplow prep package whenever available.
 - May require bumper or air dam notching.

2005 Ford

Section 1 of 2 Homesteader™ through HD blades



Blade Length	6'-8"	7'-4"
Blade Assembly	Personal	Personal
Blade Part Number	27547	27549
Common Attachment Kit / Headgear Kit	27550	27550
A-Frame Kit	n/a	n/a
Hydraulic Kit	27517	27517
Common Light	8435	
Choose a Hand-Held Control or a Joystick Control	9400	
	8292	



6'-9" LD	7'-1/2" LD	7'-1/2" RD M	8' HD M	8-1/2' HD M	9' HD M
28069	27775	27500	28000	28500	29000
27750-1	27750-1	27777	27777	27777	27777
n/a	n/a	n/a	n/a	n/a	n/a
9825-1	9825-1	9840-2	9840-2	9840-2	9840-2
8435					
9400					
8292					

Model	Body Style	DRW	Box Option	Engine Type	Min F G A W R	Min R G A W R	Min G V W R	Peculiar Light Kit	Personal Plow system		Ballast Guidelines, lbs (1)	MM2 system		Ballast Guidelines, lbs (1)							
									Peculiar Att.Kit	Notes		Peculiar Att.Kit	Notes								
F350 SUPER DUTY	Crew Cab	Yes	6.8 Box	6.0L D	6000	9000	13000		n/a	---	---	---	7176	2,10	---	---	---	---	---	400	400
F350 SUPER DUTY	Crew Cab	Yes	6.8 Box	6.0L D	5600	9000	13000		n/a	---	---	---	7176	2,10	---	---	---	---	---	550	650
F350 SUPER DUTY	Crew Cab	Yes	6.8 Box	6.8L V10	5600	9000	12600		n/a	---	---	---	7176	2,10	---	---	---	---	---	250	250
F350 SUPER DUTY	Crew Cab	Yes	6.8 Box	6.8L V10	5200	9000	12600		n/a	---	---	---	7176	2,10	---	---	---	---	---	350	450
F350 SUPER DUTY	Crew Cab	Yes	8.0 Box	6.0L D	6000	9000	13000		n/a	---	---	---	7176	2,10	---	---	---	---	---	400	400
F350 SUPER DUTY	Crew Cab	Yes	8.0 Box	6.8L V10	6000	9000	12600		n/a	---	---	---	7176	2,10	---	---	---	---	---	250	250
F350 SUPER DUTY	Crew Cab	Yes	8.0 Box	6.8L V10	5600	9000	12600		n/a	---	---	---	7176	2,10	---	---	---	---	---	250	250
F350 SUPER DUTY	Crew Cab	Yes	8.0 Box	6.8L V10	5200	9000	12600		n/a	---	---	---	7176	2,10	---	---	---	---	---	850	950
F350 SUPER DUTY	All	Yes	Chassis	All	All	All	8501		n/a	---	---	---	7176	2,10	---	---	---	---	---	?	?
F350 SUPER DUTY	Reg Cab	No	8.0 Box	6.0L D	4850	7000	10700		n/a	---	---	---	7176	2,10,41,44	---	---	---	---	1000	---	---
F350 SUPER DUTY	Reg Cab	No	8.0 Box	6.0L D	4850	6830	10700		n/a	---	---	---	7176	2,10,41,44	---	---	---	---	1000	---	---
F350 SUPER DUTY	Reg Cab	Yes	8.0 Box	6.8L V10	4400	9000	12000		n/a	---	---	---	7176	2,10,41,44	---	---	---	---	---	750	850
F350 SUPER DUTY	Super Cab	No	8.0 Box	5.4L V8	4700	7000	10400		n/a	---	---	---	7176	2,10,41,44	---	---	---	---	250	300	350
F350 SUPER DUTY	Super Cab	No	8.0 Box	5.4L V8	4700	6830	10400		n/a	---	---	---	7176	2,10,41,44	---	---	---	---	250	300	350
F350 SUPER DUTY	Super Cab	No	8.0 Box	5.4L V8	4550	7000	10400		n/a	---	---	---	7176	2,10,41,44	---	---	---	---	850	950	---
F350 SUPER DUTY	Super Cab	No	8.0 Box	5.4L V8	4550	6830	10400		n/a	---	---	---	7176	2,10,41,44	---	---	---	---	850	950	---
F350 SUPER DUTY	Super Cab	No	8.0 Box	6.8L V10	4700	7000	10600		n/a	---	---	---	7176	2,10,41,44	---	---	---	---	500	600	700
F350 SUPER DUTY	Super Cab	No	8.0 Box	6.8L V10	4700	6830	10600		n/a	---	---	---	7176	2,10,41,44	---	---	---	---	500	600	700
F350 SUPER DUTY	Super Cab	Yes	8.0 Box	5.4L V8	4700	9000	12200		n/a	---	---	---	7176	2,10,41,44	---	---	---	---	---	400	450
F350 SUPER DUTY	Super Cab	Yes	8.0 Box	6.8L V10	4850	9000	12400		n/a	---	---	---	7176	2,10,41,44	---	---	---	---	---	150	150
F350 SUPER DUTY	Super Cab	Yes	8.0 Box	6.8L V10	4700	9000	12400		n/a	---	---	---	7176	2,10,41,44	---	---	---	---	---	750	850
F350 SUPER DUTY	Crew Cab	No	6.8 Box	5.4L V8	4550	7000	10400		n/a	---	---	---	7176	2,10,41,44	---	---	---	---	950	---	---
F350 SUPER DUTY	Crew Cab	No	6.8 Box	5.4L V8	4550	6830	10400		n/a	---	---	---	7176	2,10,41,44	---	---	---	---	950	---	---
F350 SUPER DUTY	Crew Cab	No	6.8 Box	6.8L V10	4700	7000	10600		n/a	---	---	---	7176	2,10,41,44	---	---	---	---	600	700	800
F350 SUPER DUTY	Crew Cab	No	6.8 Box	6.8L V10	4700	6830	10600		n/a	---	---	---	7176	2,10,41,44	---	---	---	---	600	700	800
F350 SUPER DUTY	Crew Cab	No	8.0 Box	5.4L V8	4850	7000	10600		n/a	---	---	---	7176	2,10,41,44	---	---	---	---	250	250	250
F350 SUPER DUTY	Crew Cab	No	8.0 Box	5.4L V8	4850	6830	10600		n/a	---	---	---	7176	2,10,41,44	---	---	---	---	250	250	250
F350 SUPER DUTY	Crew Cab	No	8.0 Box	5.4L V8	4700	7000	10600		n/a	---	---	---	7176	2,10,41,44	---	---	---	---	700	800	900
F350 SUPER DUTY	Crew Cab	No	8.0 Box	5.4L V8	4700	6830	10600		n/a	---	---	---	7176	2,10,41,44	---	---	---	---	700	800	900
F350 SUPER DUTY	Crew Cab	No	8.0 Box	6.8L V10	4850	7000	10800		n/a	---	---	---	7176	2,10,41,44	---	---	---	---	350	450	550
F350 SUPER DUTY	Crew Cab	No	8.0 Box	6.8L V10	4850	6830	10800		n/a	---	---	---	7176	2,10,41,44	---	---	---	---	350	450	550
F350 SUPER DUTY	Crew Cab	Yes	6.8 Box	6.8L V10	4700	9000	12400		n/a	---	---	---	7176	2,10,41,44	---	---	---	---	950	---	---
F350 SUPER DUTY	Crew Cab	Yes	8.0 Box	6.8L V10	4850	9000	12600		n/a	---	---	---	7176	2,10,41,44	---	---	---	---	600	700	---
F350 SUPER DUTY	All	Yes	Chassis	All	All	All	10001		n/a	---	---	---	7176	2,10,41,44	---	---	---	---	?	?	?
F450 SUPER DUTY	All	Yes	Chassis	All	All	All	8501		n/a	---	---	---	7176	2,10	---	---	---	---	---	?	?
F450 SUPER DUTY	All	Yes	Chassis	All	All	All	10001		n/a	---	---	---	7176	2,10,38,44	---	---	---	---	?	?	?

H13 use 28400 or 2B use 8439

- Notes:**
- Ballast amounts are based on a "Representative Vehicle," defined in the vehicle selection guide instructions, and must be modified for all other configurations for axle and GVWR compliance.
 - Recommended snowplow prep package whenever available.
 - May require bumper or air dam notching.
 38. 4X4 or 4X2.
 41. 4X2.
 44. Requires LT 275/65R18 or LT 275/70R18 or similar ride height tire for proper ground clearance.

2005 Ford

Section 2 of 2 XBLADE™ through MC blades



Blade Length
Blade Assembly
Blade Part Number
Common Attachment Kit / Headgear Kit
A-Frame Kit
Hydraulic Kit
Common Light
Choose a Hand-Held Control
or a new Hand-Held Control
or a Joystick Control

7-1/2'	7-1/2'	8'	8'	8-1/2'	8-1/2'	9'	9'	8-1/2'	9-1/2'	9'	10'
X SS	X MS	X SS	X MS	X SS	X MS	X SS	X MS	EZ-V®	EZ-V	MC	MC
27510	27512	28100	28200	28510	28520	29100	29200	28885	28895	29250	29350
28900	27777	28900	27777	28900	27777	28900	27777	28888	28888	29999	29999
n/a	n/a	n/a	n/a	n/a	n/a	n/a	n/a	n/a	n/a	28665	28665
9840-2	9840-2	9840-2	9840-2	9840-2	9840-2	9840-2	9840-2	9828-4	9828-4	9835-1	9835-1
8435											
9400									n/a		9400
n/a									9800		n/a
8292									9900		8292

Model	Body Style	DRW	Box Option	Engine Type	Min F G A W R	Min R G A W R	Min G V W R	Peculiar Light Kit	MM2 system		Ballast Guidelines, lbs (1)														
									Peculiar Att.Kit	Notes															
F150	Reg Cab	No	8.0 Box	5.4L V8	4300	4800	8200	H13 use 28400	7174	3	650	650	---	---	---	---	---	---	---	---	---	---	---	---	
F250 SUPER DUTY	Reg Cab	No	8.0 Box	5.4L V8	5600	6100	9000	H13 use 28400 or 2B use 8439	7176	2,10	500	500	550	550	550	550	600	600	500	550	---	---	---	---	---
F250 SUPER DUTY	Reg Cab	No	8.0 Box	5.4L V8	5200	6100	9000		7176	2,10	500	500	550	550	550	550	600	600	500	550	---	---	---	---	---
F250 SUPER DUTY	Reg Cab	No	8.0 Box	5.4L V8	4800	6100	9000		7176	2,10	750	750	---	---	---	---	---	---	900	---	---	---	---	---	---
F250 SUPER DUTY	Reg Cab	No	8.0 Box	6.0L D	6000	6100	9200		7176	2,10	650	650	700	700	750	750	750	750	650	700	---	---	---	---	---
F250 SUPER DUTY	Reg Cab	No	8.0 Box	6.0L D	5600	6100	9200		7176	2,10	650	650	700	700	750	750	750	750	650	700	---	---	---	---	---
F250 SUPER DUTY	Reg Cab	No	8.0 Box	6.8L V10	5600	6100	9200		7176	2,10	500	500	550	550	600	600	600	600	500	550	---	---	---	---	---
F250 SUPER DUTY	Reg Cab	No	8.0 Box	6.8L V10	5200	6100	9200		7176	2,10	500	500	550	550	600	600	600	600	500	550	---	---	---	---	---
F250 SUPER DUTY	Super Cab	No	6.8 Box	5.4L V8	5600	6100	9200		7176	2,10	450	450	500	500	500	500	550	550	450	500	---	---	---	---	---
F250 SUPER DUTY	Super Cab	No	6.8 Box	6.0L D	6000	6100	9800		7176	2,10	600	600	700	700	700	700	700	700	650	700	---	---	---	---	---
F250 SUPER DUTY	Super Cab	No	6.8 Box	6.0L D	5600	6100	9800		7176	2,10	600	600	700	700	700	700	700	700	650	700	---	---	---	---	---
F250 SUPER DUTY	Super Cab	No	6.8 Box	6.8L V10	5600	6100	9400		7176	2,10	500	500	550	550	550	550	600	600	500	550	---	---	---	---	---
F250 SUPER DUTY	Super Cab	No	6.8 Box	6.8L V10	5200	6100	9400		7176	2,10	500	500	550	550	550	550	600	600	500	550	---	---	---	---	---
F250 SUPER DUTY	Super Cab	No	8.0 Box	5.4L V8	5600	6100	9400		7176	2,10	450	450	500	500	500	500	550	550	450	500	---	---	---	---	---
F250 SUPER DUTY	Super Cab	No	8.0 Box	6.0L D	6000	6100	10000		7176	2,10	650	650	700	700	700	700	700	700	650	700	---	---	---	---	---
F250 SUPER DUTY	Super Cab	No	8.0 Box	6.0L D	5600	6100	10000		7176	2,10	650	650	700	700	800	800	950	950	650	900	---	---	---	---	---
F250 SUPER DUTY	Super Cab	No	8.0 Box	6.8L V10	5600	6100	9600		7176	2,10	500	500	550	550	550	550	550	550	500	550	---	---	---	---	---
F250 SUPER DUTY	Super Cab	No	8.0 Box	6.8L V10	5200	6100	9600		7176	2,10	500	500	550	550	600	600	750	750	500	700	---	---	---	---	---
F250 SUPER DUTY	Crew Cab	No	6.8 Box	5.4L V8	5600	6100	9400		7176	2,10	400	400	450	450	450	450	500	500	400	450	---	---	---	---	---
F250 SUPER DUTY	Crew Cab	No	6.8 Box	5.4L V8	5200	6100	9400		7176	2,10	400	400	450	450	450	450	500	500	400	450	---	---	---	---	---
F250 SUPER DUTY	Crew Cab	No	6.8 Box	6.0L D	6000	6100	10000		7176	2,10	600	600	650	650	650	650	700	700	600	650	---	---	---	---	---
F250 SUPER DUTY	Crew Cab	No	6.8 Box	6.0L D	5600	6100	10000		7176	2,10	600	600	750	750	900	900	---	---	600	1000	---	---	---	---	---
F250 SUPER DUTY	Crew Cab	No	6.8 Box	6.8L V10	5600	6100	9600		7176	2,10	450	450	500	500	500	500	550	550	450	500	---	---	---	---	---
F250 SUPER DUTY	Crew Cab	No	6.8 Box	6.8L V10	5200	6100	9600		7176	2,10	450	450	550	550	700	700	850	850	450	800	---	---	---	---	---
F250 SUPER DUTY	Crew Cab	No	8.0 Box	5.4L V8	5600	6100	9600		7176	2,10	400	400	450	450	500	500	500	500	400	450	---	---	---	---	---
F250 SUPER DUTY	Crew Cab	No	8.0 Box	5.4L V8	5200	6100	9600		7176	2,10	400	400	650	650	850	850	1000	1000	550	950	---	---	---	---	---
F250 SUPER DUTY	Crew Cab	No	8.0 Box	6.8L V10	6000	6100	10000		7176	2,10	600	600	650	650	650	650	700	700	600	650	---	---	---	---	---
F250 SUPER DUTY	Crew Cab	No	8.0 Box	6.8L V10	5600	6100	9800		7176	2,10	450	450	500	500	500	500	550	550	450	500	---	---	---	---	---
F250 SUPER DUTY	Crew Cab	No	8.0 Box	6.8L V10	5600	6100	10000		7176	2,10	900	900	---	---	---	---	---	---	---	---	---	---	---	---	---
F250 SUPER DUTY	Crew Cab	No	8.0 Box	6.8L V10	5200	6100	9800	7176	2,10	700	700	---	---	---	---	---	---	950	---	---	---	---	---	---	
F250 SUPER DUTY	All	No	Chassis	All	All	All	8501	7176	2,10	?	?	?	?	?	?	?	?	?	?	---	---	---	---	---	

Notes:
 1. Ballast amounts are based on a "Representative Vehicle," defined in the vehicle selection guide instructions, and must be modified for all other configurations for axle and GVWR compliance.
 2. Recommended snowplow prep package whenever available.
 3. Requires bumper notching.
 10. May require bumper or air dam notching.

2005 Ford

Section 2 of 2 XBLADE™ through MC blades



Blade Length	7-1/2'	7-1/2'	8'	8'	8-1/2'	8-1/2'	9'	9'	8-1/2'	9-1/2'	9'	10'	
Blade Assembly	X SS	X MS	X SS	X MS	X SS	X MS	X SS	X MS	EZ-V®	EZ-V	MC	MC	
Blade Part Number	27510	27512	28100	28200	28510	28520	29100	29200	28885	28895	29250	29350	
Common Attachment Kit / Headgear Kit	28900	27777	28900	27777	28900	27777	28900	27777	28888	28888	29999	29999	
A-Frame Kit	n/a	n/a	n/a	n/a	n/a	n/a	n/a	n/a	n/a	n/a	28665	28665	
Hydraulic Kit	9840-2	9840-2	9840-2	9840-2	9840-2	9840-2	9840-2	9840-2	9828-4	9828-4	9835-1	9835-1	
Common Light	8435												
Choose a Hand-Held Control or a new Hand-Held Control or a Joystick Control	9400									n/a		9400	
	n/a									9800		n/a	
	8292									9900		8292	

Model	Body Style	DRW	Box Option	Engine Type	Min F G A W R	Min R G A W R	Min G V W R	Peculiar Light Kit	MM2 system		Ballast Guidelines, lbs (1)											
									Peculiar Att.Kit	Notes												
F350 SUPER DUTY	Reg Cab	No	8.0 Box	5.4L V8	5600	7000	10500		7176	2,10	450	450	500	500	550	550	550	550	450	500	---	---
F350 SUPER DUTY	Reg Cab	No	8.0 Box	5.4L V8	5200	7000	10500		7176	2,10	450	450	500	500	550	550	550	550	450	500	---	---
F350 SUPER DUTY	Reg Cab	No	8.0 Box	5.4L V8	4800	7000	10500		7176	2,10	800	800	---	---	---	---	---	---	950	---	---	---
F350 SUPER DUTY	Reg Cab	No	8.0 Box	6.0L D	6000	7000	11000		7176	2,10	650	650	700	700	700	700	750	750	650	700	---	---
F350 SUPER DUTY	Reg Cab	No	8.0 Box	6.0L D	5600	7000	11000		7176	2,10	650	650	700	700	700	700	750	750	650	700	---	---
F350 SUPER DUTY	Reg Cab	No	8.0 Box	6.8L V10	5600	7000	10700		7176	2,10	500	500	550	550	550	550	600	600	500	550	---	---
F350 SUPER DUTY	Reg Cab	No	8.0 Box	6.8L V10	5200	7000	10700		7176	2,10	500	500	550	550	550	550	600	600	500	550	---	---
F350 SUPER DUTY	Reg Cab	Yes	8.0 Box	5.4L V8	5600	9000	12000		7176	2,10	---	---	---	---	350	350	400	400	300	350	---	---
F350 SUPER DUTY	Reg Cab	Yes	8.0 Box	5.4L V8	5200	9000	12000		7176	2,10	---	---	---	---	350	350	400	400	300	350	---	---
F350 SUPER DUTY	Reg Cab	Yes	8.0 Box	6.0L D	6000	9000	12600		7176	2,10	---	---	---	---	550	550	550	550	450	500	---	---
F350 SUPER DUTY	Reg Cab	Yes	8.0 Box	6.0L D	5600	9000	12600		7176	2,10	---	---	---	---	550	550	550	550	450	500	---	---
F350 SUPER DUTY	Reg Cab	Yes	8.0 Box	6.8L V10	5600	9000	12200		7176	2,10	---	---	---	---	400	400	400	400	300	350	---	---
F350 SUPER DUTY	Reg Cab	Yes	8.0 Box	6.8L V10	5200	9000	12200		7176	2,10	---	---	---	---	400	400	400	400	300	350	---	---
F350 SUPER DUTY	Super Cab	No	6.8 Box	5.4L V8	5600	7000	10600		7176	2,10	400	400	450	450	500	500	500	500	400	450	---	---
F350 SUPER DUTY	Super Cab	No	6.8 Box	5.4L V8	5200	7000	10600		7176	2,10	400	400	450	450	500	500	500	500	400	450	---	---
F350 SUPER DUTY	Super Cab	No	6.8 Box	6.0L D	6000	7000	11200		7176	2,10	600	600	650	650	700	700	700	700	600	650	---	---
F350 SUPER DUTY	Super Cab	No	6.8 Box	6.0L D	5600	7000	11200		7176	2,10	600	600	650	650	700	700	700	700	600	650	---	---
F350 SUPER DUTY	Super Cab	No	6.8 Box	6.8L V10	5600	7000	10800		7176	2,10	450	450	500	500	550	550	550	550	450	500	---	---
F350 SUPER DUTY	Super Cab	No	6.8 Box	6.8L V10	5200	7000	10800		7176	2,10	450	450	500	500	550	550	550	550	450	500	---	---
F350 SUPER DUTY	Super Cab	No	8.0 Box	5.4L V8	5600	7000	10800		7176	2,10	400	400	450	450	500	500	500	500	400	450	---	---
F350 SUPER DUTY	Super Cab	No	8.0 Box	5.4L V8	5200	7000	10800		7176	2,10	400	400	450	450	500	500	500	500	400	450	---	---
F350 SUPER DUTY	Super Cab	No	8.0 Box	6.0L D	6000	7000	11400		7176	2,10	600	600	650	650	700	700	700	700	600	650	---	---
F350 SUPER DUTY	Super Cab	No	8.0 Box	6.0L D	5600	7000	11400		7176	2,10	600	600	700	700	850	850	1000	1000	600	950	---	---
F350 SUPER DUTY	Super Cab	No	8.0 Box	6.8L V10	5600	7000	11000		7176	2,10	450	450	500	500	550	550	550	550	450	500	---	---
F350 SUPER DUTY	Super Cab	No	8.0 Box	6.8L V10	5200	7000	11000		7176	2,10	450	450	500	500	650	650	800	800	450	750	---	---
F350 SUPER DUTY	Super Cab	Yes	8.0 Box	5.4L V8	5600	9000	12400		7176	2,10	---	---	---	---	300	300	350	350	250	300	---	---
F350 SUPER DUTY	Super Cab	Yes	8.0 Box	5.4L V8	5200	9000	12400		7176	2,10	---	---	---	---	450	450	600	600	250	500	---	---
F350 SUPER DUTY	Super Cab	Yes	8.0 Box	6.0L D	6000	9000	13000		7176	2,10	---	---	---	---	500	500	500	500	450	500	---	---
F350 SUPER DUTY	Super Cab	Yes	8.0 Box	6.0L D	5600	9000	13000		7176	2,10	---	---	---	---	1000	1000	---	---	700	---	---	---
F350 SUPER DUTY	Super Cab	Yes	8.0 Box	6.8L V10	6000	9000	12600		7176	2,10	---	---	---	---	350	350	400	400	300	350	---	---
F350 SUPER DUTY	Super Cab	Yes	8.0 Box	6.8L V10	5600	9000	12600		7176	2,10	---	---	---	---	350	350	400	400	300	350	---	---
F350 SUPER DUTY	Super Cab	Yes	8.0 Box	6.8L V10	5200	9000	12600		7176	2,10	---	---	---	---	800	800	950	950	500	850	---	---

H13 use 28400 or 2B use 8439

- Notes:**
- Ballast amounts are based on a "Representative Vehicle," defined in the vehicle selection guide instructions, and must be modified for all other configurations for axle and GVWR compliance.
 - Recommended snowplow prep package whenever available.
 - May require bumper or air dam notching.

2005 Ford

Section 2 of 2 XBLADE™ through MC blades



Blade Length
Blade Assembly
Blade Part Number
Common Attachment Kit / Headgear Kit
A-Frame Kit
Hydraulic Kit
Common Light
Choose a Hand-Held Control
or a new Hand-Held Control
or a Joystick Control

7-1/2'	7-1/2'	8'	8'	8-1/2'	8-1/2'	9'	9'	8-1/2'	9-1/2'	9'	10'		
X SS	X MS	X SS	X MS	X SS	X MS	X SS	X MS	EZ-V®	EZ-V	MC	MC		
27510	27512	28100	28200	28510	28520	29100	29200	28885	28895	29250	29350		
28900	27777	28900	27777	28900	27777	28900	27777	28888	28888	29999	29999		
n/a	n/a	n/a	n/a	n/a	n/a	n/a	n/a	n/a	n/a	28665	28665		
9840-2	9840-2	9840-2	9840-2	9840-2	9840-2	9840-2	9840-2	9828-4	9828-4	9835-1	9835-1		
8435													
									9400		n/a	9400	
									n/a		9800		n/a
									8292		9900		8292

Model	Body Style	DRW	Box Option	Engine Type	Min FGAWR	Min RGAWR	Min GVWR	Peculiar Light Kit	MM2 system		Ballast Guidelines, lbs (1)											
									Peculiar Att.Kit	Notes												
F350 SUPER DUTY	Crew Cab	No	6.8 Box	5.4L V8	5600	7000	10800		7176	2,10	350	350	450	450	450	450	450	450	400	450	---	---
F350 SUPER DUTY	Crew Cab	No	6.8 Box	5.4L V8	5200	7000	10800		7176	2,10	350	350	450	450	450	550	550	400	450	---	---	
F350 SUPER DUTY	Crew Cab	No	6.8 Box	6.0L D	6000	7000	11400		7176	2,10	550	550	600	600	650	650	650	550	600	---	---	
F350 SUPER DUTY	Crew Cab	No	6.8 Box	6.0L D	5600	7000	11400		7176	2,10	550	550	800	800	950	950	---	---	650	---	---	
F350 SUPER DUTY	Crew Cab	No	6.8 Box	6.8L V10	5600	7000	11000		7176	2,10	400	400	450	450	500	500	500	400	450	---	---	
F350 SUPER DUTY	Crew Cab	No	6.8 Box	6.8L V10	5200	7000	11000		7176	2,10	400	400	600	600	750	750	900	450	850	---	---	
F350 SUPER DUTY	Crew Cab	No	8.0 Box	5.4L V8	6000	7000	11000		7176	2,10	400	400	450	450	450	500	500	400	450	---	---	
F350 SUPER DUTY	Crew Cab	No	8.0 Box	5.4L V8	5600	7000	11000		7176	2,10	400	400	450	450	450	500	500	400	450	---	---	
F350 SUPER DUTY	Crew Cab	No	8.0 Box	5.4L V8	5200	7000	11000		7176	2,10	400	400	700	700	900	900	---	---	600	1000	---	---
F350 SUPER DUTY	Crew Cab	No	8.0 Box	6.0L D	6000	7000	11500		7176	2,10	600	600	600	600	650	650	650	600	650	---	---	
F350 SUPER DUTY	Crew Cab	No	8.0 Box	6.0L D	5600	7000	11500		7176	2,10	950	950	---	---	---	---	---	---	---	---	---	
F350 SUPER DUTY	Crew Cab	No	8.0 Box	6.8L V10	6000	7000	11200		7176	2,10	450	450	500	500	500	500	500	450	500	---	---	
F350 SUPER DUTY	Crew Cab	No	8.0 Box	6.8L V10	5600	7000	11200		7176	2,10	450	450	500	500	500	500	500	450	500	---	---	
F350 SUPER DUTY	Crew Cab	No	8.0 Box	6.8L V10	5200	7000	11200		7176	2,10	750	750	---	---	---	---	---	1000	---	---	---	
F350 SUPER DUTY	Crew Cab	Yes	6.8 Box	6.0L D	6000	9000	13000		7176	2,10	---	---	---	---	450	450	500	400	450	---	---	
F350 SUPER DUTY	Crew Cab	Yes	6.8 Box	6.0L D	5600	9000	13000	H13 use 28400 or 2B use 8439	7176	2,10	---	---	---	---	---	---	---	800	---	---	---	
F350 SUPER DUTY	Crew Cab	Yes	6.8 Box	6.8L V10	5600	9000	12600		7176	2,10	---	---	---	---	300	300	350	350	250	300	---	---
F350 SUPER DUTY	Crew Cab	Yes	6.8 Box	6.8L V10	5200	9000	12600		7176	2,10	---	---	---	---	850	850	1000	1000	600	950	---	---
F350 SUPER DUTY	Crew Cab	Yes	8.0 Box	6.0L D	6000	9000	13000		7176	2,10	---	---	---	---	450	450	500	500	400	450	---	---
F350 SUPER DUTY	Crew Cab	Yes	8.0 Box	6.8L V10	6000	9000	12600		7176	2,10	---	---	---	---	300	300	350	350	250	300	---	---
F350 SUPER DUTY	Crew Cab	Yes	8.0 Box	6.8L V10	5600	9000	12600		7176	2,10	---	---	---	---	300	300	350	350	250	300	---	---
F350 SUPER DUTY	All	Yes	Chassis	All	All	All	8501		7176	2,10	---	---	---	---	?	?	?	?	?	?	---	---
F350 SUPER DUTY	Reg Cab	Yes	8.0 Box	6.8L V10	4400	9000	12000		7176	2,10,41,44	---	---	---	---	---	---	---	950	---	---	---	
F350 SUPER DUTY	Super Cab	No	8.0 Box	5.4L V8	4700	7000	10400		7176	2,10,41,44	300	300	600	600	750	750	900	500	850	---	---	
F350 SUPER DUTY	Super Cab	No	8.0 Box	5.4L V8	4700	6830	10400		7176	2,10,41,44	300	300	600	600	750	750	900	500	850	---	---	
F350 SUPER DUTY	Super Cab	No	8.0 Box	5.4L V8	4550	7000	10400		7176	2,10,41,44	950	950	---	---	---	---	---	---	---	---	---	
F350 SUPER DUTY	Super Cab	No	8.0 Box	5.4L V8	4550	6830	10400		7176	2,10,41,44	950	950	---	---	---	---	---	---	---	---	---	
F350 SUPER DUTY	Super Cab	No	8.0 Box	6.8L V10	4700	7000	10600		7176	2,10,41,44	650	650	1000	1000	---	---	---	850	---	---	---	
F350 SUPER DUTY	Super Cab	No	8.0 Box	6.8L V10	4700	6830	10600		7176	2,10,41,44	650	650	1000	1000	---	---	---	850	---	---	---	
F350 SUPER DUTY	Super Cab	Yes	8.0 Box	5.4L V8	4700	9000	12200		7176	2,10,41,44	---	---	---	---	900	900	---	---	600	1000	---	---
F350 SUPER DUTY	Super Cab	Yes	8.0 Box	6.8L V10	4850	9000	12400		7176	2,10,41,44	---	---	---	---	600	600	750	750	300	650	---	---
F350 SUPER DUTY	Super Cab	Yes	8.0 Box	6.8L V10	4700	9000	12400		7176	2,10,41,44	---	---	---	---	---	---	---	950	---	---	---	

Notes:
 1. Ballast amounts are based on a "Representative Vehicle," defined in the vehicle selection guide instructions, and must be modified for all other configurations for axle and GVWR compliance.
 2. Recommended snowplow prep package whenever available.
 10. May require bumper or air dam notching.
 41. 4X2.
 44. Requires LT 275/65R18 or LT 275/70R18 or similar ride height tire for proper ground clearance.

2005 Ford

Section 2 of 2 XBLADE™ through MC blades



Blade Length	7-1/2'	7-1/2'	8'	8'	8-1/2'	8-1/2'	9'	9'	8-1/2'	9-1/2'	9'	10'	
Blade Assembly	X SS	X MS	X SS	X MS	X SS	X MS	X SS	X MS	EZ-V®	EZ-V	MC	MC	
Blade Part Number	27510	27512	28100	28200	28510	28520	29100	29200	28885	28895	29250	29350	
Common Attachment Kit / Headgear Kit	28900	27777	28900	27777	28900	27777	28900	27777	28888	28888	29999	29999	
A-Frame Kit	n/a	n/a	n/a	n/a	n/a	n/a	n/a	n/a	n/a	n/a	28665	28665	
Hydraulic Kit	9840-2	9840-2	9840-2	9840-2	9840-2	9840-2	9840-2	9840-2	9828-4	9828-4	9835-1	9835-1	
Common Light	8435												
Choose a Hand-Held Control or a new Hand-Held Control or a Joystick Control	9400									n/a		9400	
	n/a									9800		n/a	
	8292									9900		8292	

Model	Body Style	DRW	Box Option	Engine Type	Min F G A W R	Min R G A W R	Min G V W R	Peculiar Light Kit	MM2 system		Ballast Guidelines, lbs (1)											
									Peculiar Att.Kit	Notes	7176	2,10,41,44	750	750	---	---	---	---	---	---	950	---
F350 SUPER DUTY	Crew Cab	No	6.8 Box	6.8L V10	4700	7000	10600	H13 use 28400 or 2B use 8439	7176	2,10,41,44	750	750	---	---	---	---	---	---	950	---	---	---
F350 SUPER DUTY	Crew Cab	No	6.8 Box	6.8L V10	4700	6830	10600		7176	2,10,41,44	750	750	---	---	---	---	---	---	950	---	---	---
F350 SUPER DUTY	Crew Cab	No	8.0 Box	5.4L V8	4850	7000	10600		7176	2,10,41,44	250	250	450	450	600	600	800	800	350	750	---	---
F350 SUPER DUTY	Crew Cab	No	8.0 Box	5.4L V8	4700	7000	10600		7176	2,10,41,44	250	250	450	450	600	600	800	800	350	750	---	---
F350 SUPER DUTY	Crew Cab	No	8.0 Box	5.4L V8	4700	6830	10600		7176	2,10,41,44	850	850	---	---	---	---	---	---	---	---	---	---
F350 SUPER DUTY	Crew Cab	No	8.0 Box	6.8L V10	4850	7000	10800		7176	2,10,41,44	850	850	---	---	---	---	---	---	---	---	---	---
F350 SUPER DUTY	Crew Cab	No	8.0 Box	6.8L V10	4850	7000	10800		7176	2,10,41,44	450	450	850	850	1000	1000	---	---	700	---	---	---
F350 SUPER DUTY	Crew Cab	No	8.0 Box	6.8L V10	4850	6830	10800		7176	2,10,41,44	450	450	850	850	1000	1000	---	---	700	---	---	---
F350 SUPER DUTY	Crew Cab	Yes	8.0 Box	6.8L V10	4850	9000	12600		7176	2,10,41,44	---	---	---	---	---	---	---	---	850	---	---	---
F350 SUPER DUTY	All	Yes	Chassis	All	All	All	10001		7176	2,10,41,44	---	---	---	---	?	?	?	?	?	?	---	---
F450 SUPER DUTY	All	Yes	Chassis	All	All	All	8501		7176	2,10	---	---	---	---	?	?	?	?	?	?	?	---
F450 SUPER DUTY	All	Yes	Chassis	All	All	All	10001		7176	2,10,38,44	---	---	---	---	?	?	?	?	?	?	?	---
F550 SUPER DUTY	All	Yes	Chassis	All	All	All	8501		7176	2,10	---	---	---	---	?	?	?	?	?	?	?	---
F550 SUPER DUTY	All	Yes	Chassis	All	All	All	10001		7176	2,10,38,44	---	---	---	---	?	?	?	?	?	?	?	---
F650	All	Yes	Chassis	All	All	All	10001		2B use 8439 & 26640 or HB5 use 8436 & 26640	7172	39	---	---	---	---	---	---	---	---	---	?	?

- Notes:**
- Ballast amounts are based on a "Representative Vehicle," defined in the vehicle selection guide instructions, and must be modified for all other configurations for axle and GVWR compliance.
 - Recommended snowplow prep package whenever available.
 - May require bumper or air dam notching.
 - 4X4 or 4X2.
 - 27,500 max GVWR.
 - 4X2.
 - Requires LT 275/65R18 or LT 275/70R18 or similar ride height tire for proper ground clearance.

2005 Dodge

Section 1 of 2

Homesteader™ through HD blades



Blade Length	6'-8"	7'-4"
Blade Assembly	Personal	Personal
Blade Part Number	27547	27549
Common Attachment Kit / Headgear Kit	27550	27550
A-Frame Kit	n/a	n/a
Hydraulic Kit	27517	27517
Common Light	8435	
Choose a Hand-Held Control or a Joystick Control	9400	
	8292	



6'-9" LD	7'-1/2" LD	7'-1/2" RD M	8' HD M	8'-1/2" HD M	9' HD M
28069	27775	27500	28000	28500	29000
27750-1	27750-1	27777	27777	27777	27777
n/a	n/a	n/a	n/a	n/a	n/a
9825-1	9825-1	9840-2	9840-2	9840-2	9840-2
8435					
9400					
8292					

Model	Body Style	DRW	Box Option	Engine Type	Min F G A W R	Min R G A W R	Min G V W R	Peculiar Light Kit	Personal Plow system		Ballast Guidelines, lbs (1)	MM2 system		Ballast Guidelines, lbs (1)								
									Peculiar Att.Kit	Notes		Peculiar Att.Kit	Notes									
DURANGO ST	SU-4DR	No	---	3.7L V6	3600	3900	6600		33903	3,8	---	0	n/a	---	---	---	---	---	---	---	---	---
DURANGO SLT	SU-4DR	No	---	4.7L V8	3600	3900	6600		33903	3,8	---	0	n/a	---	---	---	---	---	---	---	---	---
DURANGO SLT	SU-4DR	No	---	5.7L V8	3600	3900	6600		33903	3,8	---	0	n/a	---	---	---	---	---	---	---	---	---
DURANGO LIMITED	SU-4DR	No	---	4.7L V8	3600	3900	6600		33903	3,8	---	0	n/a	---	---	---	---	---	---	---	---	---
DURANGO LIMITED	SU-4DR	No	---	5.7L V8	3600	3900	6600		33903	3,8	---	0	n/a	---	---	---	---	---	---	---	---	---
DURANGO SLT +50/50 rear seat	SU-4DR	No	---	4.7L V8	3600	3900	6600		33903	3,8	---	0	n/a	---	---	---	---	---	---	---	---	---
DURANGO SLT +50/50 rear seat	SU-4DR	No	---	5.7L V8	3600	3900	6600		33903	3,8	---	0	n/a	---	---	---	---	---	---	---	---	---
DAKOTA ST	Club Cab	No	6.5 Box	3.7L V6	3600	3806	6010		33903	8	---	50	7178	3	---	250	---	---	---	---	---	---
DAKOTA ST	Club Cab	No	6.5 Box	4.7L V8	3600	3806	6010		33903	8	---	100	7178	3	---	300	---	---	---	---	---	---
DAKOTA ST	Quad Cab	No	5.3 Box	3.7L V6	3600	3806	6010	H13 use 28400	33903	8	---	0	7178	3	---	200	---	---	---	---	---	---
DAKOTA ST	Quad Cab	No	5.3 Box	4.7L V8	3600	3806	6010		33903	8	---	0	7178	3	---	200	---	---	---	---	---	---
DAKOTA SLT	Club Cab	No	6.5 Box	3.7L V6	3600	3600	6010		33903	8	---	50	7178	3	---	250	---	---	---	---	---	---
DAKOTA SLT	Club Cab	No	6.5 Box	4.7L V8	3600	3600	6010		33903	8	---	100	7178	3	---	300	---	---	---	---	---	---
DAKOTA SLT	Quad Cab	No	5.3 Box	3.7L V6	3600	3600	6010		33903	8	---	0	7178	3	---	200	---	---	---	---	---	---
DAKOTA SLT	Quad Cab	No	5.3 Box	4.7L V8 HO	3600	3600	6010		33903	8	---	50	7178	3	---	250	---	---	---	---	---	---
DAKOTA LARAMIE	Club Cab	No	6.5 Box	3.7L V6	3600	3600	6010		33903	8	---	50	7178	3	---	250	---	---	---	---	---	---
DAKOTA LARAMIE	Club Cab	No	6.5 Box	4.7L V8	3600	3600	6010		33903	8	---	100	7178	3	---	250	---	---	---	---	---	---
DAKOTA LARAMIE	Quad Cab	No	5.3 Box	3.7L V6	3600	3600	6010		33903	8	---	0	7178	3	---	200	---	---	---	---	---	---
DAKOTA LARAMIE	Quad Cab	No	5.3 Box	4.7L V8	3600	3600	6010		33903	8	---	0	7178	3	---	350	---	---	---	---	---	---
DAKOTA LARAMIE	Quad Cab	No	5.3 Box	4.7L V8 HO	3600	3600	6010		33903	8	---	0	7178	3	---	350	---	---	---	---	---	---

- Notes:**
- Ballast amounts are based on a "Representative Vehicle," defined in the vehicle selection guide instructions, and must be modified for all other configurations for axle and GVWR compliance.
 - Requires bumper notching.
 - These Snowplows Are For Personal/Homeowner Use Only.

2005 Dodge

Section 1 of 2

Homesteader™ through HD blades



Blade Length	6'-8"	7'-4"
Blade Assembly	Personal	Personal
Blade Part Number	27547	27549
Common Attachment Kit / Headgear Kit	27550	27550
A-Frame Kit	n/a	n/a
Hydraulic Kit	27517	27517
Common Light	8435	
Choose a Hand-Held Control or a Joystick Control	9400	
	8292	



6'-9" LD	7-1/2' LD	7-1/2' RD M	8' HD M	8-1/2' HD M	9' HD M
28069	27775	27500	28000	28500	29000
27750-1	27750-1	27777	27777	27777	27777
n/a	n/a	n/a	n/a	n/a	n/a
9825-1	9825-1	9840-2	9840-2	9840-2	9840-2
8435					
9400					
8292					

Model	Body Style	DRW	Box Option	Engine Type	Min F G A W R	Min R G A W R	Min G V W R	Peculiar Light Kit	Personal Plow system		Ballast Guidelines, lbs (1)	MM2 system		Ballast Guidelines, lbs (1)						
									Peculiar Att.Kit	Notes		Peculiar Att.Kit	Notes							
RAM 1500 ST	Reg Cab	No	6.5 Box	4.7L FFV	3900	3900	6350		n/a	---	---	7167	---	---	---	300	---	---	---	---
RAM 1500 ST	Reg Cab	No	6.5 Box	4.7L V8	3900	3900	6350		n/a	---	---	7167	---	---	---	300	---	---	---	---
RAM 1500 ST	Reg Cab	No	6.5 Box	5.7L V8	3900	3900	6350		n/a	---	---	7167	---	---	---	250	---	---	---	---
RAM 1500 ST	Reg Cab	No	8.0 Box	4.7L FFV	3900	3900	6550		n/a	---	---	7167	---	---	---	350	---	---	---	---
RAM 1500 ST	Reg Cab	No	8.0 Box	4.7L V8	3900	3900	6550		n/a	---	---	7167	---	---	---	350	---	---	---	---
RAM 1500 ST	Reg Cab	No	8.0 Box	5.7L V8	3900	3900	6550		n/a	---	---	7167	---	---	---	350	---	---	---	---
RAM 1500 ST	Quad Cab	No	6.5 Box	4.7L FFV	3900	3900	6650		n/a	---	---	7167	---	---	---	450	---	---	---	---
RAM 1500 ST	Quad Cab	No	6.5 Box	4.7L V8	3900	3900	6650		n/a	---	---	7167	---	---	---	450	---	---	---	---
RAM 1500 ST	Quad Cab	No	6.5 Box	5.7L V8	3900	3900	6650		n/a	---	---	7167	---	---	---	450	---	---	---	---
RAM 1500 SLT	Reg Cab	No	6.5 Box	4.7L FFV	3900	3900	6350		n/a	---	---	7167	---	---	---	300	---	---	---	---
RAM 1500 SLT	Reg Cab	No	6.5 Box	4.7L V8	3900	3900	6350		n/a	---	---	7167	---	---	---	300	---	---	---	---
RAM 1500 SLT	Reg Cab	No	6.5 Box	5.7L V8	3900	3900	6350		n/a	---	---	7167	---	---	---	250	---	---	---	---
RAM 1500 SLT	Reg Cab	No	8.0 Box	4.7L FFV	3900	3900	6550		n/a	---	---	7167	---	---	---	350	---	---	---	---
RAM 1500 SLT	Reg Cab	No	8.0 Box	4.7L V8	3900	3900	6550		n/a	---	---	7167	---	---	---	350	---	---	---	---
RAM 1500 SLT	Reg Cab	No	8.0 Box	5.7L V8	3900	3900	6550		n/a	---	---	7167	---	---	---	450	---	---	---	---
RAM 1500 SLT	Quad Cab	No	6.5 Box	4.7L FFV	3900	3900	6650		n/a	---	---	7167	---	---	---	550	---	---	---	---
RAM 1500 SLT	Quad Cab	No	6.5 Box	4.7L V8	3900	3900	6650		n/a	---	---	7167	---	---	---	550	---	---	---	---
RAM 1500 SLT	Quad Cab	No	6.5 Box	5.7L V8	3900	3900	6650		n/a	---	---	7167	---	---	---	400	---	---	---	---
RAM 1500 SLT+20" tires	Reg Cab	No	6.5 Box	4.7L FFV	3900	3900	6350		n/a	---	---	7167	---	---	---	300	---	---	---	---
RAM 1500 SLT+20" tires	Reg Cab	No	6.5 Box	4.7L V8	3900	3900	6350		n/a	---	---	7167	---	---	---	300	---	---	---	---
RAM 1500 SLT+20" tires	Reg Cab	No	6.5 Box	5.7L V8	3900	3900	6350		n/a	---	---	7167	---	---	---	250	---	---	---	---
RAM 1500 SLT+LT275/70R17 tires	Reg Cab	No	6.5 Box	4.7L FFV	3900	3900	6350		n/a	---	---	7167	---	---	---	300	---	---	---	---
RAM 1500 SLT+LT275/70R17 tires	Reg Cab	No	6.5 Box	4.7L V8	3900	3900	6350		n/a	---	---	7167	---	---	---	300	---	---	---	---
RAM 1500 SLT+LT275/70R17 tires	Reg Cab	No	6.5 Box	5.7L V8	3900	3900	6350		n/a	---	---	7167	---	---	---	250	---	---	---	---
RAM 1500 SLT+LT275/70R17 tires	Reg Cab	No	8.0 Box	4.7L FFV	3900	3900	6550		n/a	---	---	7167	---	---	---	350	---	---	---	---
RAM 1500 SLT+LT275/70R17 tires	Reg Cab	No	8.0 Box	4.7L V8	3900	3900	6550		n/a	---	---	7167	---	---	---	350	---	---	---	---
RAM 1500 SLT+LT275/70R17 tires	Reg Cab	No	8.0 Box	5.7L V8	3900	3900	6550		n/a	---	---	7167	---	---	---	500	---	---	---	---
RAM 1500 SLT+LT275/70R17 tires	Quad Cab	No	6.5 Box	4.7L V8	3900	3900	6650		n/a	---	---	7167	---	---	---	550	---	---	---	---
RAM 1500 SLT+LT275/70R17 tires	Quad Cab	No	6.5 Box	5.7L V8	3900	3900	6650		n/a	---	---	7167	---	---	---	400	---	---	---	---

HB5 use 8436

Notes:
1. Ballast amounts are based on a "Representative Vehicle," defined in the vehicle selection guide instructions, and must be modified for all other configurations for axle and GVWR compliance.

2005 Dodge

Section 1 of 2

Homesteader™ through HD blades



Blade Length	6'-8"	7'-4"
Blade Assembly	Personal	Personal
Blade Part Number	27547	27549
Common Attachment Kit / Headgear Kit	27550	27550
A-Frame Kit	n/a	n/a
Hydraulic Kit	27517	27517
Common Light	8435	
Choose a Hand-Held Control or a Joystick Control	9400	
	8292	



6'-9" LD	7'-1/2' LD	7'-1/2' RD M	8' HD M	8-1/2' HD M	9' HD M
28069	27775	27500	28000	28500	29000
27750-1	27750-1	27777	27777	27777	27777
n/a	n/a	n/a	n/a	n/a	n/a
9825-1	9825-1	9840-2	9840-2	9840-2	9840-2
8435					
9400					
8292					

Model	Body Style	DRW	Box Option	Engine Type	Min F G A W R	Min R G A W R	Min G V W R	Peculiar Light Kit	Personal Plow system		Ballast Guidelines, lbs (1)	MM2 system		Ballast Guidelines, lbs (1)							
									Peculiar Att.Kit	Notes		Peculiar Att.Kit	Notes								
RAM 2500	All	No	Chassis	All	All	All	8501		n/a	---	---	---	---	7170-1	2,30	---	---	?	?	?	?
RAM 2500 ST	Reg Cab	No	8.0 Box	5.7L V8	5200	6000	8650		n/a	---	---	---	---	7170-1	2	---	---	300	400	400	450
RAM 2500 ST	Reg Cab	No	8.0 Box	5.9L D HO	5200	6000	9000		n/a	---	---	---	---	7170-1	2,30	---	---	550	950	---	---
RAM 2500 ST	Quad Cab	No	6.5 Box	5.7L V8	5200	6000	8800		n/a	---	---	---	---	7170-1	2	---	---	200	350	350	350
RAM 2500 ST	Quad Cab	No	6.5 Box	5.9L D HO	5200	6000	9000		n/a	---	---	---	---	7170-1	2,30	---	---	500	---	---	---
RAM 2500 ST	Quad Cab	No	8.0 Box	5.7L V8	5200	6000	8800		n/a	---	---	---	---	7170-1	2	---	---	250	350	400	400
RAM 2500 SLT	Reg Cab	No	8.0 Box	5.7L V8	5200	6010	8650		n/a	---	---	---	---	7170-1	2	---	---	300	400	400	400
RAM 2500 SLT	Reg Cab	No	8.0 Box	5.9L D HO	5200	6010	9000		n/a	---	---	---	---	7170-1	2,30	---	---	500	1000	---	---
RAM 2500 SLT	Quad Cab	No	6.5 Box	5.7L V8	5200	6010	8800		n/a	---	---	---	---	7170-1	2	---	---	200	300	350	350
RAM 2500 SLT	Quad Cab	No	6.5 Box	5.9L D HO	5200	6010	9000		n/a	---	---	---	---	7170-1	2,30	---	---	450	1000	---	---
RAM 2500 SLT	Quad Cab	No	8.0 Box	5.7L V8	5200	6010	8800		n/a	---	---	---	---	7170-1	2	---	---	200	300	350	350
RAM 3500	All	Yes	Chassis	All	All	All	8501		n/a	---	---	---	---	7170-1	2,30	---	---	---	---	?	?
RAM 3500	All	Yes	Chassis	All	All	All	10001		n/a	---	---	---	---	7170-1	2,30	---	---	---	---	?	?
RAM 3500 ST	Reg Cab	Yes	8.0 Box	5.7L V8	5200	9350	11500		n/a	---	---	---	---	7170-1	2	---	---	---	---	150	150
RAM 3500 ST	Quad Cab	No	6.5 Box	5.9L D HO	5200	6200	9900		n/a	---	---	---	---	7170-1	2,30	---	---	---	850	950	---
RAM 3500 ST	Quad Cab	Yes	8.0 Box	5.7L V8	5200	9350	11500		n/a	---	---	---	---	7170-1	2	---	---	---	---	100	100
RAM 3500 SLT	Reg Cab	Yes	8.0 Box	5.7L V8	5200	9350	11500		n/a	---	---	---	---	7170-1	2	---	---	---	---	150	150
RAM 3500 SLT	Quad Cab	No	6.5 Box	5.9L D HO	5200	6200	9900		n/a	---	---	---	---	7170-1	2,30	---	---	---	1000	---	---
RAM 3500 SLT	Quad Cab	Yes	8.0 Box	5.7L V8	5200	9350	11500		n/a	---	---	---	---	7170-1	2	---	---	---	---	100	100

- Notes:**
- Ballast amounts are based on a "Representative Vehicle," defined in the vehicle selection guide instructions, and must be modified for all other configurations for axle and GVWR compliance.
 - Recommended snowplow prep package whenever available.
 - High output diesel engines require automatic transmission.

2005 Dodge

Section 2 of 2 XBLADE™ through MC blades



Blade Length	7-1/2'	7-1/2'	8'	8'	8-1/2'	8-1/2'	9'	9'	8-1/2'	9-1/2'	9'	10'	
Blade Assembly	X SS	X MS	X SS	X MS	X SS	X MS	X SS	X MS	EZ-V®	EZ-V	MC	MC	
Blade Part Number	27510	27512	28100	28200	28510	28520	29100	29200	28885	28895	29250	29350	
Common Attachment Kit / Headgear Kit	28900	27777	28900	27777	28900	27777	28900	27777	28888	28888	29999	29999	
A-Frame Kit	n/a	n/a	n/a	n/a	n/a	n/a	n/a	n/a	n/a	n/a	28665	28665	
Hydraulic Kit	9840-2	9840-2	9840-2	9840-2	9840-2	9840-2	9840-2	9840-2	9828-4	9828-4	9835-1	9835-1	
Common Light	8435												
Choose a Hand-Held Control or a new Hand-Held Control or a Joystick Control	9400									n/a		9400	
	n/a									9800		n/a	
	8292									9900		8292	

Model	Body Style	DRW	Box Option	Engine Type	Min F G A W R	Min R G A W R	Min G V W R	Peculiar Light Kit	MM2 system		Ballast Guidelines, lbs (1)													
									Peculiar Att.Kit	Notes														
RAM 2500	All	No	Chassis	All	All	All	8501	HB5 use 8436	7170-1	2,30	?	?	?	?	?	?	?	?	?	?	---	---		
RAM 2500 ST	Reg Cab	No	8.0 Box	5.7L V8	5200	6000	8650		7170-1	2	400	400	450	450	500	500	500	500	450	500	450	500	---	---
RAM 2500 ST	Quad Cab	No	6.5 Box	5.7L V8	5200	6000	8800		7170-1	2	350	350	400	400	400	400	450	450	350	400	400	---	---	
RAM 2500 ST	Quad Cab	No	8.0 Box	5.7L V8	5200	6000	8800		7170-1	2	400	400	450	450	450	450	450	400	450	400	450	---	---	
RAM 2500 SLT	Reg Cab	No	8.0 Box	5.7L V8	5200	6010	8650		7170-1	2	400	400	450	450	500	500	500	500	400	450	400	450	---	---
RAM 2500 SLT	Quad Cab	No	6.5 Box	5.7L V8	5200	6010	8800		7170-1	2	300	300	400	400	400	400	450	450	350	400	400	---	---	
RAM 2500 SLT	Quad Cab	No	8.0 Box	5.7L V8	5200	6010	8800		7170-1	2	350	350	400	400	400	400	450	450	350	400	400	---	---	
RAM 3500	All	Yes	Chassis	All	All	All	8501		7170-1	2,30	---	---	---	---	?	?	?	?	?	?	?	---	---	
RAM 3500	All	Yes	Chassis	All	All	All	10001		7170-1	2,30	---	---	---	---	?	?	?	?	?	?	?	---	---	
RAM 3500 ST	Reg Cab	Yes	8.0 Box	5.7L V8	5200	9350	11500		7170-1	2	---	---	---	---	250	250	250	250	150	200	150	200	---	---
RAM 3500 ST	Quad Cab	No	6.5 Box	5.9L D HO	5200	6200	9900		7170-1	2,30	1000	1000	---	---	---	---	---	---	---	---	---	---	---	
RAM 3500 ST	Quad Cab	Yes	8.0 Box	5.7L V8	5200	9350	11500		7170-1	2	---	---	---	---	150	150	200	200	100	150	150	200	---	---
RAM 3500 SLT	Reg Cab	Yes	8.0 Box	5.7L V8	5200	9350	11500		7170-1	2	---	---	---	---	250	250	250	250	150	200	150	200	---	---
RAM 3500 SLT	Quad Cab	Yes	8.0 Box	5.7L V8	5200	9350	11500		7170-1	2	---	---	---	---	150	150	200	200	100	150	150	200	---	---

- Notes:**
- Ballast amounts are based on a "Representative Vehicle," defined in the vehicle selection guide instructions, and must be modified for all other configurations for axle and GVWR compliance.
 - Recommended snowplow prep package whenever available.
 - High output diesel engines require automatic transmission.

2005 Jeep

Section 1

Homesteader™ through HD blades



Blade Length	6'-8"	7'-4"
Blade Assembly	Personal	Personal
Blade Part Number	27547	27549
Common Attachment Kit / Headgear Kit	27550	27550
A-Frame Kit	n/a	n/a
Hydraulic Kit	27517	27517
Common Light	8435	
Choose a Hand-Held Control or a Joystick Control	9400	
	8292	



6'-9" LD	7'-1/2' LD	7'-1/2' RD M	8' HD M	8'-1/2' HD M	9' HD M
28069	27775	27500	28000	28500	29000
27750-1	27750-1	27777	27777	27777	27777
n/a	n/a	n/a	n/a	n/a	n/a
9825-1	9825-1	9840-2	9840-2	9840-2	9840-2
8435					
9400					
8292					

Model	Body Style	DRW	Box Option	Engine Type	Min F G A W R	Min R G A W R	Min G V W R	Peculiar Light Kit	Personal Plow system		Ballast Guidelines, lbs (1)	MM2 system		Ballast Guidelines, lbs (1)									
									Peculiar Att.Kit	Notes		Peculiar Att.Kit	Notes										
LIBERTY LIMITED	SU-4DR	No	---	3.7L V6	2750	3150	5650	HB5 use 8436	3713-1	8	0	0	n/a	---	---	---	---	---	---	---	---	---	
LIBERTY SPORT	SU-4DR	No	---	2.4L I4	2750	3150	5200		3713-1	8	0	0	n/a	---	---	---	---	---	---	---	---	---	---
LIBERTY SPORT	SU-4DR	No	---	3.7L V6	2750	3150	5200		3713-1	8	0	0	n/a	---	---	---	---	---	---	---	---	---	---
LIBERTY RENEGADE	SU-4DR	No	---	3.7L V6	2750	3150	5600	2D use 8439	3713-1	8	0	0	n/a	---	---	---	---	---	---	---	---	---	---
WRANGLER SE	SU-2DR	No	---	2.5L I4	2200	2650	4450		3723	8	0	0	n/a	---	---	---	---	---	---	---	---	---	---
WRANGLER X	SU-2DR	No	---	2.5L I4	2200	2650	4450		3723	8	0	0	n/a	---	---	---	---	---	---	---	---	---	---

- Notes:
- Ballast amounts are based on a "Representative Vehicle," defined in the vehicle selection guide instructions, and must be modified for all other configurations for axle and GVWR compliance.
 - These Snowplows Are For Personal/Homeowner Use Only.

2005 Nissan

Section 1

Homesteader™ through HD blades



Blade Length	6'-8"	7'-4"
Blade Assembly	Personal	Personal
Blade Part Number	27547	27549
Common Attachment Kit / Headgear Kit	27550	27550
A-Frame Kit	n/a	n/a
Hydraulic Kit	27517	27517
Common Light	8435	
Choose a Hand-Held Control or a Joystick Control	9400	
	8292	



6'-9" LD	7'-1/2' LD	7'-1/2' RD M	8' HD M	8'-1/2' HD M	9' HD M
28069	27775	27500	28000	28500	29000
27750-1	27750-1	27777	27777	27777	27777
n/a	n/a	n/a	n/a	n/a	n/a
9825-1	9825-1	9840-2	9840-2	9840-2	9840-2
8435					
9400					
8292					

Model	Body Style	DRW	Box Option	Engine Type	Min F G A W R	Min R G A W R	Min G V W R	Peculiar Light Kit	Personal Plow system		Ballast Guidelines, lbs (1)	MM2 system		Ballast Guidelines, lbs (1)									
									Peculiar Att.Kit	Notes		Peculiar Att.Kit	Notes										
TITAN XE	King Cab	No	6.5 Box	5.6L V8	3505	3805	6529		31303	8,40	---	0	n/a	---	---	---	---	---	---	---	---	---	
TITAN XE	Crew Cab	No	6.5 Box	5.6L V8	3505	3805	6529		31303	8,40	---	0	n/a	---	---	---	---	---	---	---	---	---	
TITAN SE	King Cab	No	6.5 Box	5.6L V8	3505	3805	6529	HB3/HB4 use 27480-1 & 28027	31303	8,40	---	100	n/a	---	---	---	---	---	---	---	---	---	
TITAN SE	Crew Cab	No	6.5 Box	5.6L V8	3505	3805	6529		31303	8,40	---	200	n/a	---	---	---	---	---	---	---	---	---	
TITAN LE	King Cab	No	6.5 Box	5.6L V8	3505	3805	6529		31303	8,40	---	300	n/a	---	---	---	---	---	---	---	---	---	---
TITAN LE	Crew Cab	No	6.5 Box	5.6L V8	3505	3805	6529		31303	8,40	---	400	n/a	---	---	---	---	---	---	---	---	---	---

- Notes:**
- Ballast amounts are based on a "Representative Vehicle," defined in the vehicle selection guide instructions, and must be modified for all other configurations for axle and GVWR compliance.
 - These Snowplows Are For Personal/Homeowner Use Only.
 - Removal of skid plate or splash guard required.

2005 Toyota

Section 1

Homesteader™ through HD blades



Blade Length	6'-8"	7'-4"
Blade Assembly	Personal	Personal
Blade Part Number	27547	27549
Common Attachment Kit / Headgear Kit	27550	27550
A-Frame Kit	n/a	n/a
Hydraulic Kit	27517	27517
Common Light	8435	
Choose a Hand-Held Control or a Joystick Control	9400	
	8292	



6'-9" LD	7'-1/2" LD	7'-1/2" RD M	8" HD M	8'-1/2" HD M	9" HD M
28069	27775	27500	28000	28500	29000
27750-1	27750-1	27777	27777	27777	27777
n/a	n/a	n/a	n/a	n/a	n/a
9825-1	9825-1	9840-2	9840-2	9840-2	9840-2
8435					
9400					
8292					

Model	Body Style	DRW	Box Option	Engine Type	Min FAWR	Min RAWR	Min GVWR	Peculiar Light Kit	Personal Plow system		Ballast Guidelines, lbs (1)	MM2 system		Ballast Guidelines, lbs (1)								
									Peculiar Att.Kit	Notes		Peculiar Att.Kit	Notes									
TACOMA	Reg Cab	No	6.1 Box	2.7L I4	2755	3110	5100	HB2 use 8439	32323	8	0	0	n/a	---	---	---	---	---	---	---	---	
TACOMA	Access Cab	No	6.1 Box	2.7L I4	2755	3110	5250		32323	8	0	0	n/a	---	---	---	---	---	---	---	---	---
TACOMA	Access Cab	No	6.1 Box	4.0L V6	2755	3110	5350		32323	8	150	250	n/a	---	---	---	---	---	---	---	---	---
TACOMA	Double Cab	No	5.0 Box	4.0L V6	2755	3110	5450		32323	8	250	400	n/a	---	---	---	---	---	---	---	---	---
TACOMA	Double Cab	No	6.1 Box	4.0L V6	2755	3110	5450		32323	8	450	600	n/a	---	---	---	---	---	---	---	---	---
TUNDRA	Reg Cab	No	8.0 Box	4.7L V8	3160	3760	6300		2303	8	---	0	n/a	---	---	---	---	---	---	---	---	---
TUNDRA SR5	Ext Cab	No	6.2 Box	4.7L V8	3160	3760	6300		2303	8	---	300	n/a	---	---	---	---	---	---	---	---	---
TUNDRA SR5	Ext Cab	No	6.2 Box	4.7L V8	3160	3760	6010		2303	8	---	350	n/a	---	---	---	---	---	---	---	---	---
TUNDRA SR5	Double Cab	No	6.2 Box	4.7L V8	3500	3760	6600		2303	8	---	0	n/a	---	---	---	---	---	---	---	---	---
TUNDRA LIMITED	Ext Cab	No	6.2 Box	4.7L V8	3160	3760	6300		2303	8	---	200	n/a	---	---	---	---	---	---	---	---	---
TUNDRA LIMITED	Ext Cab	No	6.2 Box	4.7L V8	3160	3760	6010		2303	8	---	200	n/a	---	---	---	---	---	---	---	---	---
TUNDRA LIMITED	Double Cab	No	6.2 Box	4.7L V8	3500	3760	6600		2303	8	---	0	n/a	---	---	---	---	---	---	---	---	---

- Notes:**
- Ballast amounts are based on a "Representative Vehicle," defined in the vehicle selection guide instructions, and must be modified for all other configurations for axle and GVWR compliance.
 - These Snowplows Are For Personal/Homeowner Use Only.

2005 Mitsubishi

Section 1 of 2

Homesteader™ through HD blades



Blade Length	6'-8"	7'-4"
Blade Assembly	Personal	Personal
Blade Part Number	27547	27549
Common Attachment Kit / Headgear Kit	27550	27550
A-Frame Kit	n/a	n/a
Hydraulic Kit	27517	27517
Common Light	8435	
Choose a Hand-Held Control or a Joystick Control	9400	
	8292	



6'-9" LD	7'-1/2" LD	7'-1/2" RD M	8" HD M	8'-1/2" HD M	9" HD M
28069	27775	27500	28000	28500	29000
27750-1	27750-1	27777	27777	27777	27777
n/a	n/a	n/a	n/a	n/a	n/a
9825-1	9825-1	9840-2	9840-2	9840-2	9840-2
8435					
9400					
8292					

Model	Body Style	DRW	Box Option	Engine Type	Min F G A W R	Min R G A W R	Min G V W R	Peculiar Light Kit	Personal Plow system		Ballast Guidelines, lbs (1)	MM2 system		Ballast Guidelines, lbs (1)						
									Peculiar Att.Kit	Notes		Peculiar Att.Kit	Notes							
FG	All	Yes	Chassis	All	All	All	10001	HB5 use 8436 & 28860	n/a	---	---	---	7179	---	---	---	---	---	?	?

Notes:
1. Ballast amounts are based on a "Representative Vehicle," defined in the vehicle selection guide instructions, and must be modified for all other configurations for axle and GVWR compliance.

2005 Mitsubishi

Section 2 of 2 XBLADE™ through MC blades



Blade Length	7-1/2'	7-1/2'	8'	8'	8-1/2'	8-1/2'	9'	9'	8-1/2'	9-1/2'	9'	10'
Blade Assembly	X SS	X MS	X SS	X MS	X SS	X MS	X SS	X MS	EZ-V®	EZ-V	MC	MC
Blade Part Number	27510	27512	28100	28200	28510	28520	29100	29200	28885	28895	29250	29350
Common Attachment Kit / Headgear Kit	28900	27777	28900	27777	28900	27777	28900	27777	28888	28888	29999	29999
A-Frame Kit	n/a	n/a	n/a	n/a	n/a	n/a	n/a	n/a	n/a	n/a	28665	28665
Hydraulic Kit	9840-2	9840-2	9840-2	9840-2	9840-2	9840-2	9840-2	9840-2	9828-4	9828-4	9835-1	9835-1
Common Light	8435											
Choose a Hand-Held Control or a new Hand-Held Control or a Joystick Control	9400								n/a		9400	
	n/a								9800		n/a	
	8292								9900		8292	

Model	Body Style	DRW	Box Option	Engine Type	Min F G A W R	Min R G A W R	Min G V W R	Peculiar Light Kit	MM2 system		Ballast Guidelines, lbs (1)											
									Peculiar Att.Kit	Notes												
FG	All	Yes	Chassis	All	All	All	10001	HB5 use 8436 & 28860	7179	---	---	---	---	---	?	?	?	?	?	---	---	---

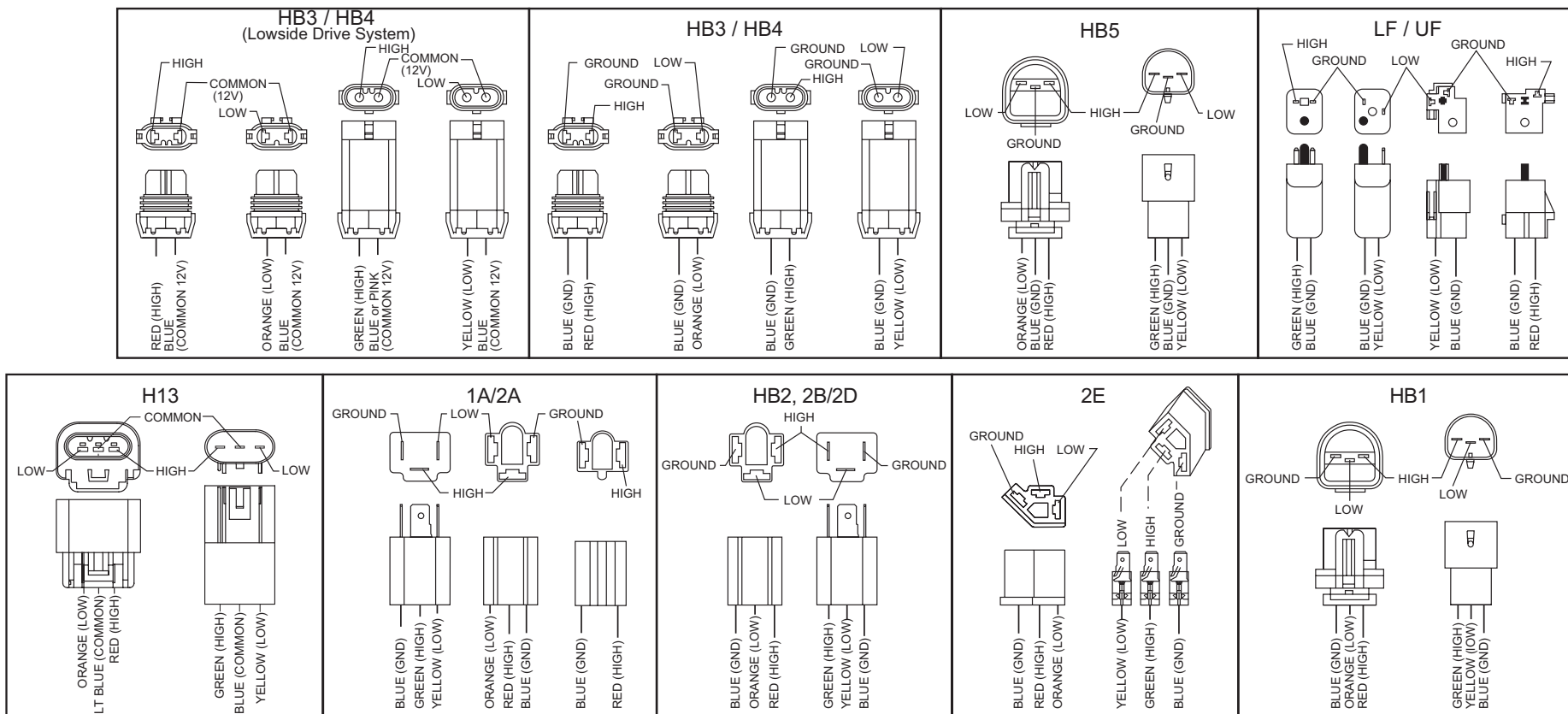
Notes:
1. Ballast amounts are based on a "Representative Vehicle," defined in the vehicle selection guide instructions, and must be modified for all other configurations for axle and GVWR compliance.

Headlamp Reference Guide

NOTE: The lamp type is usually embossed in the headlamp lens.

NOTE: Blue ground wires may be LT or DK BLU, w/ or w/o WHT stripe, depending on harness.

Headlamp Type	Bulb Type	Headlamp Type	Bulb Type
LF	H4703	2E1	H6545
UF	H4701	H13	9008
1A1	H4651	HB1	9004
2A1	H4652(GMC/Chevy)	HB2	9003
2A1	H4656 (Mitsubishi)	HB3	9005
2B1	H6054	HB4	9006
2D1	H6024	HB5	9007



Snowplow Component Weights

Off-Truck Assembly with Blade							
Size	Blade Assembly	Weight (lbs.)	Z	Size	Blade Assembly	Weight (lbs.)	Z
6'-8"	Personal Plow	239	20.4	7-1/2'	XBLADE™ Plow	742	24.5
7'-4"	Personal Plow	257	20.8	8'	XBLADE Plow	790	26.0
6'-9"	LD	472	18.7	8-1/2'	XBLADE Plow	813	26.5
7-1/2'	LD	487	19.7	9'	XBLADE Plow	835	27.0
7-1/2'	RD M	630	20.6	8-1/2'	EZ-V® Plow	808	16.0
8'	HD M	717	26.4	9-1/2'	EZ-V Plow	870	16.0
8-1/2'	HD M	731	26.5	9'	MC	1350	26.0
9'	HD M	745	26.6	10'	MC	1428	26.5

On-Truck Attachment											
Kit #	Weight (lb)	X	Y	Kit #	Weight (lb)	X	Y	Kit #	Weight (lb)	X	Y
Homesteader™ Kits											
1203	34.0	27.0	6.0	1523	26.0	30.0	6.0	3723	35.0	21.4	5.0
1213-1	23.0	26.0	6.0	1533-1	31.0	26.0	5.0	31303	43.0	27.9	4.8
1223	40.0	28.0	7.0	2303	41.0	29.0	6.0	31543	20.0	28.5	7.1
1233	34.0	32.0	7.1	2313	30.0	27.0	5.0	32323	36.0	30.0	7.3
1503	26.0	27.0	6.0	3713-1	20.0	26.0	5.0	33903	45.0	31.0	7.8
Minute Mount® 2 Kits											
7124	48.0	29.0	7.0	7152-1	215.0	31.0	8.0	7167	46.0	37.0	9.0
7125	48.0	32.0	8.0	7155	55.0	30.0	7.0	7168	44.0	35.0	9.0
7126	88.0	31.0	8.0	7156-1	VARIABLES	VARIABLES	VARIABLES	7169	45.0	35.0	10.0
7128	110.0	31.0	8.0	7157	62.0	30.0	7.0	7170-1	54.0	36.0	7.0
7129	78.0	32.0	8.0	7158	55.0	29.0	7.0	7171	111.0	39.0	7.0
7131	126.0	31.0	8.0	7159-2	96.0	31.0	7.0	7172	174.0	39.0	9.8
7132	118.0	31.0	8.0	7160	44.0	32.0	8.0	7173	73.0	31.0	9.8
7138	48.0	32.0	8.0	7161	44.0	32.0	9.0	7174	37.0	32.0	7.1
7144	73.0	32.0	8.0	7162-1	127.0	38.0	7.0	7175	30.0	32.3	8.1
7146-1	214.0	32.0	8.0	7163-1	32.0	23.0	4.0	7176	52.0	34.6	10.2
7147	54.0	29.0	7.0	7164	173.0	31.0	8.0	7177	111.0	39.0	7.0
7150	60.0	31.0	8.0	7165	55.0	30.0	7.0	7178	37.0	32.5	8.1
7151-2	191.0	30.0	8.0	7166	49.0	31.0	7.0	7179	115.0	38.0	7.0

Accessories		
Description	Kit #	Added Plow Weight
Cutting Edge 7-1/2' LD/RD	5532	59
Cutting Edge 8' HD	5533	84
Cutting Edge 8-1/2' HD	26460	91
Cutting Edge 9' HD	5534	95
Cutting Edge 7-1/2' XBLADE Plow	28575	59
Cutting Edge 8' XBLADE Plow	27580	84
Cutting Edge 8-1/2' XBLADE Plow	27585	91
Cutting Edge 9' XBLADE Plow	27590	95
Cutting Edge 8-1/2' EZ-V Plow	28408	82
Cutting Edge 9-1/2' EZ-V Plow	26593	103
Cutting Edge 9' MC	27362	122
Cutting Edge 10' MC	27239	132
Deflector - Rubber 7-1/2', 8', 8-1/2', 9' RD/HD	22470-1	29,31,33,35
Deflector - Rubber 7-1/2', 8', 8-1/2', 9' XBLADE Plow	27600-1	32,33,34,35
Deflector - Rubber 8-1/2' EZ-V Plow	21619	45
Deflector - Rubber 9-1/2' EZ-V Plow	26572	50
Deflector - Rubber 9' & 10' MC	22390	53
Deflector - Steel 6'-9"	22269	24
Deflector - Steel 7-1/2' LD/RD	283	28
Deflector - Steel 8'	26480	33
Deflector - Steel 8-1/2'	26485	35
Deflector - Steel 9'	26490	36
Poly Shoe Kit Personal Plow	27710	3.3
Shoe Kit LD Blades	27880	22
Shoe Kit XBLADE – Curb/Wear Shoe	27222	38
SnoFoil® Assembly for 7-1/2', 8', 8-1/2', 9' M	27100	50
SnoFoil Assembly 9' MC	22380	64
SnoFoil Assembly 10' MC	22200	66

NOTE: The addition of accessories to a snowplow or vehicle will require additional ballast above any amount published in this guide in order to maintain FMVSS compliance. Completed vehicle with additional accessories shall not exceed GVWR or GAWR.

NOTE: An abbreviation key is on page 2.

NOTE: See next page for variable definitions.

Snowplow Weight Calculation

Available vehicle capacities for aftermarket equipment and components can be determined by using the information in this guide along with information provided by the vehicle manufacturer's *Body Builder Guides*. Follow all requirements and recommendations of the vehicle manufacturer.

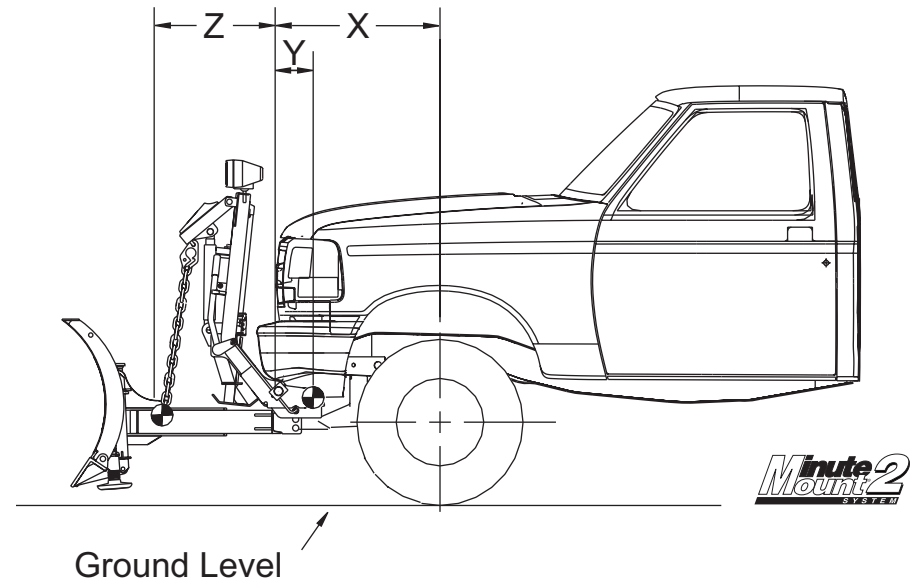
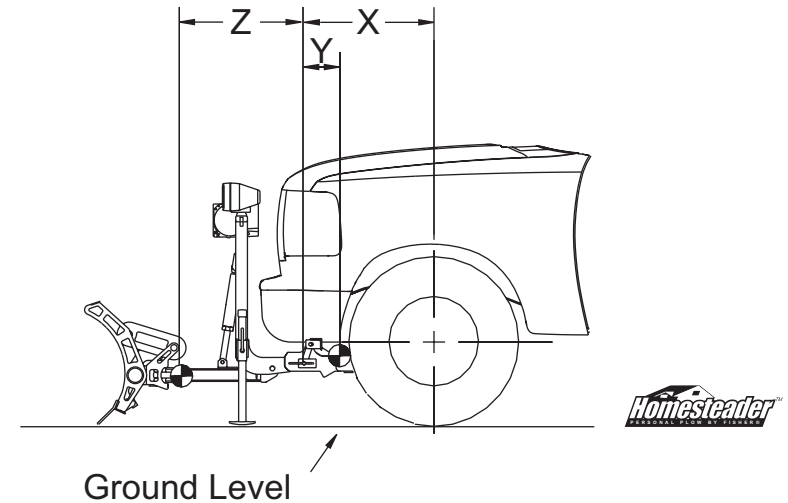
VARIABLES

X = Distance from front axle to connecting pin.

Y = Distance from connecting pin to attachment Cg.

Z = Distance from connecting pin to plow Cg.

NOTE: An abbreviation key is on page 2.



Ballast Inquiry Sheet



FISHER ENGINEERING
 P.O. Box 529
 Rockland, Maine 04841

Telephone (207) 701-4200
 Fax (207) 596-2767

DISTRIBUTOR	TEL
	FAX
CUSTOMER	DATE BUILT
VIN	

VEHICLE INFORMATION

YEAR	
MAKE	
MODEL	
DRIVE TRAIN	<input type="checkbox"/> 2WD (over 10,000 lb. GVW only) <input type="checkbox"/> 4WD <input type="checkbox"/> ALL WHEEL <input type="checkbox"/> OTHER
DRW (Dual Rear Wheel(s))	<input type="checkbox"/> YES <input type="checkbox"/> NO
BODY STYLE	<input type="checkbox"/> REG CAB <input type="checkbox"/> X-CAB <input type="checkbox"/> OTHER
BOX OPTION(S)	<input type="checkbox"/> DUMP BOX <input type="checkbox"/> STAKE BED <input type="checkbox"/> OTHER
ENGINE TYPE	
GFAWR	
GRAWR	
GVWR	

HORIZONTAL DISTANCE DESCRIPTION

L31	DRIVER'S hip point; in MIDDLE position, to Centerline of FRONT axle	(in.)
L101	Between axles (Wheelbase)	(in.)
L104	Middle of FRONT bumper to centerline of FRONT axle	(in.)
	Middle of ballast location to centerline of REAR axle	(in.)

VEHICLE WEIGHT (TRUCK MUST BE WEIGHED COMPLETE AND EMPTY (-) OCCUPANTS, PLOW & MOUNT)

FRONT (lb.)	REAR (lb.)

FUEL TANKS (ONLY NEEDED IF WEIGHED VEHICLE NOT FULLY FUELED)

FRONT OF REAR AXLE	LEVEL (see below)	CAPACITY (gal.)	LOCATION FROM REAR AXLE TO CENTER OF TANK (in.)
REAR OF REAR AXLE			

FUEL LEVEL (EMPTY = 0, HALF = 1/2, FULL = 1)

THIS FORM MUST BE COMPLETED IN ITS ENTIRETY. ANY FORMS CONTAINING INCOMPLETE INFORMATION WILL NOT BE CONSIDERED. PLEASE RETURN VIA FAX (207) 596-2767.

FISHER ENGINEERING and the vehicle manufacturer may require or recommend optional equipment for snow removal. See the FISHER ENGINEERING Kit Selection Guide for additional product information.

Footnote Key

1. Ballast amounts are based on a "Representative Vehicle," defined in the vehicle selection guide instructions, and must be modified for all other configurations for axle and GVWR compliance.
2. Recommended snowplow prep package whenever available.
3. Requires bumper notching.
4. Recommended Z85 suspension.
5. Classic Style Only (2nd # in model # is 0 not 5) example: K10903. Refer to label in glove box for model number.
6. All New Style Only (2nd # in model # is 5 not 0) example: K15903. Refer to label in glove box for model number.
7. "EARLY" indicates a build date before 12-01-2003, "LATE" indicates a build date on or after 12-01-2003
8. These Snowplows Are For Personal/Homeowner Use Only.
9. Bumper notching on SPORT required
10. May require bumper or air dam notching.
11. 27,500 max GVWR. 3 x 50 or 3 x 54 springs only.
12. 27,500 max GVWR. T-40 is standard "sloped" hood configuration. T-50 is specialty "flat" front hood.
13. Coil springs.
14. Mount attaches over and in front of bumper.
15. Not for use on trucks with quad shocks.
16. Not intended for use with High Rider or ZR2 style trucks.
17. Recommended air spring kit PN 63720.
18. Recommended F60 suspension or snowplow prep package.
19. Recommended with 31X10.5/R15 LT tires or equivalent to provide proper attachment clearance.
20. Recommended with optional heavy duty front suspension package only - (F150 3800 lb, F250 4600 lb, F350 4X4 4800 lb, F350 2WD 4000 lb).
21. Requires 31X10.5/R15 tires or equivalent size minimum.
22. Requires 7700 Payload Group (option 627).
23. Requires bumper notching on Sport and LE Sport option.
24. Requires front air bags.
25. Requires LT 235 series tires or larger.
26. Requires MOPAR air shock kit PN 82202562 to increase FGAWR from 2200 to 2500.
27. Universal Kit. Custom installation required. 27,500 Max. GVWR. Minimum 22.5" from road to vehicle frame.
28. Without swaybar.
29. Requires adapter PN 28027.
30. High output diesel engines require automatic transmission.
31. A Ballast Inquiry Sheet must be submitted to approve this application.
32. Not for use on extended cab vehicles with diesel engines.
33. Regular cab only.
34. 3X50 or 3X54 inch springs only.
35. Not for use on diesels.
37. Requires 5000 lb FGAWR min. for use with diesel engines.
38. 4X4 or 4X2.
39. 27,500 max GVWR.
40. Removal of skid plate or splash guard required.
41. 4X2.
42. 4X4.
43. This model is scheduled for phase-out. Please check with your sales outlet for availability.
44. Requires LT 275/65R18 or LT 275/70R18 or similar ride height tire for proper ground clearance.

Notes:

Printed in U.S.A.

Fisher Engineering reserves the right under its product improvement policy to change construction or design details and furnish equipment when so altered without reference to illustrations or specifications used. Fisher Engineering and the vehicle manufacturer may require and/or recommend optional equipment for snow removal. Do not exceed vehicle ratings with a snowplow. Fisher Engineering offers a limited warranty on all snowblows and accessories. See separately printed page for this important information. The following are registered (®) and unregistered (™) trademarks of Douglas Dynamics, L.L.C.: EZ-V®, FISHER®, Fish-Stik®, Homesteader™, Insta-Act®, Minute Mount® 2, SnowFoil®, XBLADE™.

 A SUBSIDIARY OF DOUGLAS DYNAMICS, L.L.C.



Fisher Engineering
P.O. Box 529
Rockland, ME 04841