

1503 TRUCK MOUNT

Installation Instructions for Personal Plow

Chevrolet S-10 and Blazer	1995 – 20__
GMC Sonoma and Jimmy	1995 – 20__

This mount is **not** intended for use with the "High Rider" or "ZR2" style trucks.

▲ CAUTION

Read this document before installing the snowplow.

▲ CAUTION

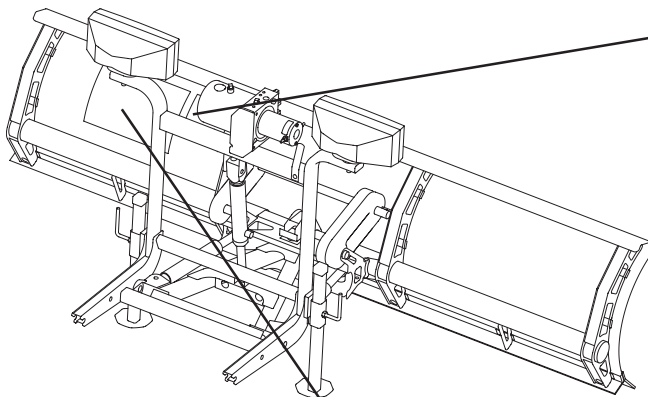
See your sales outlet for application recommendations. The Kit Selection Guide/ Selection List has specific vehicle and snowplow requirements.

SAFETY DEFINITIONS

⚠ WARNING
 Indicates a potentially hazardous situation that, if not avoided, could result in death or serious personal injury.

⚠ CAUTION
 Indicates a situation that, if not avoided, could result in damage to product or property.

NOTE: Identifies tips, helpful hints, and maintenance information the owner/operator should know.



WARNING/CAUTION AND INSTRUCTION LABELS

Become familiar with and inform users about the warning label and instruction label on the back of the blade.

Warning and Caution Label

⚠ WARNING

LOWER BLADE WHEN VEHICLE IS PARKED.
 REMOVE BLADE ASSEMBLY BEFORE PLACING VEHICLE ON HOIST.
 DO NOT EXCEED GVWR OR GAWR INCLUDING BLADE AND BALLAST.

⚠ CAUTION

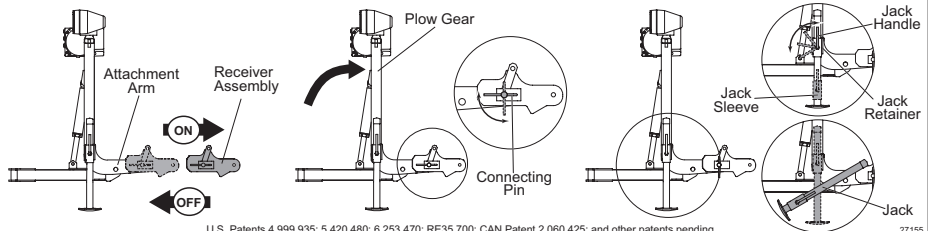
READ *OWNER'S MANUAL* BEFORE OPERATING OR SERVICING SNOWPLOW.
 TRANSPORT SPEED SHOULD NOT EXCEED 45 MPH. REDUCE SPEED UNDER ADVERSE TRAVEL CONDITIONS.
 PLOWING SPEED SHOULD NOT EXCEED 10 MPH.
 SEE YOUR SALES OUTLET FOR APPLICATION RECOMMENDATIONS.

Instruction Label

This snowplow is for personal/homeowner use only.

ATTACH INSTRUCTIONS

1. Make certain both **connecting pins** are fully retracted.
2. Drive vehicle slowly to completely insert **attachment arms** into **receiver assembly slots**.
3. Twist both **connecting pins** to release spring tension, then push **plow gear** toward vehicle so **connecting pins** fully engage holes in **attachment arms**.
4. Loosen one **jack handle** and slide **jack sleeve** down below **jack retainer**. Remove **jack** and retighten **jack handle**. Repeat for other **jack** and store them.
5. Connect all electrical cables from vehicle to snowplow.



U.S. Patents 4,999,935; 5,420,480; 6,253,470; RE35,700; CAN Patent 2,060,425; and other patents pending.

DETACH INSTRUCTIONS

5. Back vehicle away from snowplow.
6. See Owner's Manual for proper snowplow storage.
3. While pushing **plow gear** toward vehicle to release **connecting pin** tension, pull **connecting pin** out on one side and twist pin handle to keep pin retracted. Repeat procedure for other **connecting pin**.
4. Disconnect all electrical cables.
1. Put blade on ground using **LOWER/FLOAT** on snowplow control. Leave control **ON** and in **FLOAT**.
2. Attach **jacks**. Loosen **jack handle**, put **jack** on ground, and raise **jack sleeve** until fully engaging **jack retainer**. Tighten **jack handle**. Repeat for other **jack**.

Read *Owner's Manual* for Complete Instructions

SAFETY PRECAUTIONS

Improper installation and operation could cause personal injury and/or equipment and property damage. Read and understand labels and the *Owner's Manual* before installing, operating, or making adjustments.

⚠ WARNING

Lower blade when vehicle is parked. Temperature changes could change hydraulic pressure, causing the blade to drop unexpectedly or damaging hydraulic components. Failure to do this can result in serious personal injury.

⚠ WARNING

Remove blade assembly before placing vehicle on hoist.

⚠ WARNING

The driver shall keep bystanders clear of the blade when it is being raised, lowered, or angled. Do not stand between the vehicle and the blade or within 8 feet of a moving blade. A moving or falling blade could cause personal injury.

⚠ WARNING

Keep hands and feet clear of the blade and A-frame when mounting or removing the snowplow. Moving or falling assemblies could cause personal injury.

⚠ WARNING

Do not exceed GVWR or GAWR including blade and ballast. The rating label is found on driver-side vehicle door cornerpost.

⚠ CAUTION

Refer to the Kit Selection Guide/Selection List for minimum vehicle recommendations and ballast requirements.

⚠ CAUTION

To prevent accidental movement of the blade, always turn the ON/OFF switch to OFF whenever the snowplow is not in use. The control indicator light will turn off.

PERSONAL SAFETY

- Wear only snug-fitting clothing while working on your vehicle or snowplow.
- Do not wear jewelry or a necktie, and secure long hair.
- Wear safety goggles to protect your eyes from battery acid, gasoline, dirt, and dust.
- Avoid touching hot surfaces such as the engine, radiator, hoses, and exhaust pipes.
- Always have a fire extinguisher rated BC handy, for flammable liquids and electrical fires.

FIRE AND EXPLOSION

⚠ WARNING

Gasoline is highly flammable and gasoline vapor is explosive. Never smoke while working on a vehicle. Keep all open flames away from gasoline tanks and lines. Wipe up any spilled gasoline immediately.

Be careful when using gasoline. Do not use gasoline to clean parts. Store only in approved containers away from sources of heat or flame.

VENTILATION




⚠ WARNING

Vehicle exhaust contains deadly carbon monoxide (CO) gas. Breathing this gas, even in low concentrations, could cause death. Never operate a vehicle in an enclosed area without venting exhaust to the outside.

TORQUE CHART

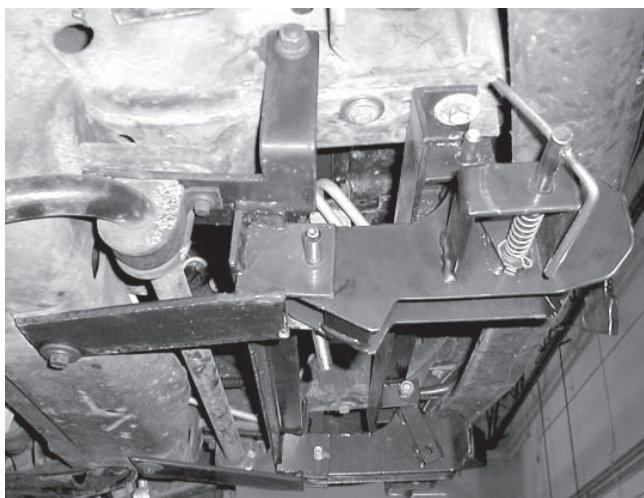
⚠ CAUTION

Read instructions before assembling. Fasteners should be finger tight until instructed to tighten according to the torque chart. Use standard methods and practices when attaching snowplow including wearing proper personal protective safety equipment.

Recommended Fastener Torque Chart (Ft.-Lb.)			
Size	 SAE Grade 2	 SAE Grade 5	 SAE Grade 8
1/4-20	6	9	13
5/16-18	11	18	28
3/8-16	19	31	46
3/8-24	24	46	68
7/16-14	30	50	75
1/2-13	45	75	115
9/16-12	66	110	165
5/8-11	93	150	225
3/4-10	150	250	370
7/8-9	150	378	591
1-8	220	583	893
Metric Grade 8.8 (Ft.-Lb.)			
Size	Torque	Size	Torque
M 6	7	M 12	60
M 8	17	M 14	95
M 10	35	M 16	155
These torque values apply to fasteners except those noted in the instruction.			

MOUNT INSTALLATION

1. Remove the plastic skid plate. Retain the fasteners.
2. Remove the front tow hook bolts, and loosen the rear tow hook bolts. Retain the fasteners.
3. Remove the sway bar fasteners, and let the sway bar down. Retain the fasteners.
4. Place the rear tabs of the rear mount under the sway bar and the front tabs on top of the brackets mounted to the sway bar.
5. Push the sway bar and rear mount up against the truck frame. Reuse the skid plate fasteners, inserting them up through the rear mount tab into the truck frame cross member. Hand tighten.
6. Reuse the sway bar fasteners, inserting the bolts up through sway bar bracket, rear mount tabs, and truck frame then placing a nut on each bolt. Hand tighten.
7. Place a washer onto a bolt with handle. Insert the bolt into the frame and out through the frame slot and the side tab on the rear mount. Place a locknut on the bolt and hand tighten. Repeat on other side.
8. Place the front mount against the frame, aligning the slots in the front mount with the front tow hook holes. Place a washer from the kit onto the vehicle's original tow hook fastener, then insert it up through the front mount into the tow hook. Hand tighten. Repeat on other side.
9. Using 1/2" pins (located with the receivers in your plow gear kit), attach the receivers to the front and rear mounts. With the receivers attached, tighten the rear mount fasteners. Before you tighten the front mount fasteners, make sure the front mount is positioned so that the 1/2" receiver pins can be easily removed. Tighten the front mount fasteners. Check the receiver pins again. If the pins cannot be easily removed, readjust.
10. Bend or cut the ends of the bolt handles protruding out from the truck frame.

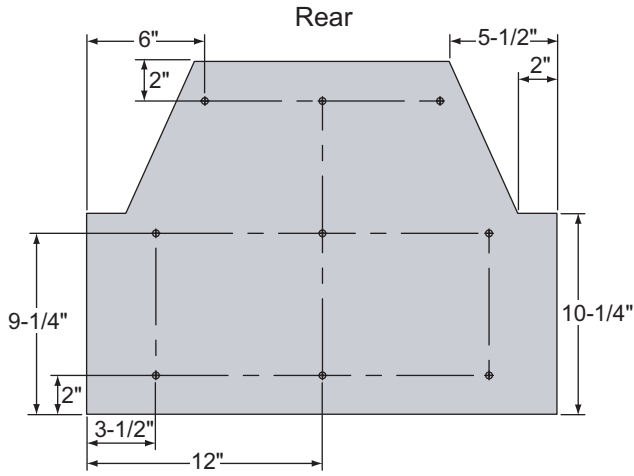


NOTE: After five to ten hours of snowplow usage, retorque all mount assembly fasteners.

11. Install rubber splash shield as instructed on the following page.

SPLASH SHIELD INSTALLATION

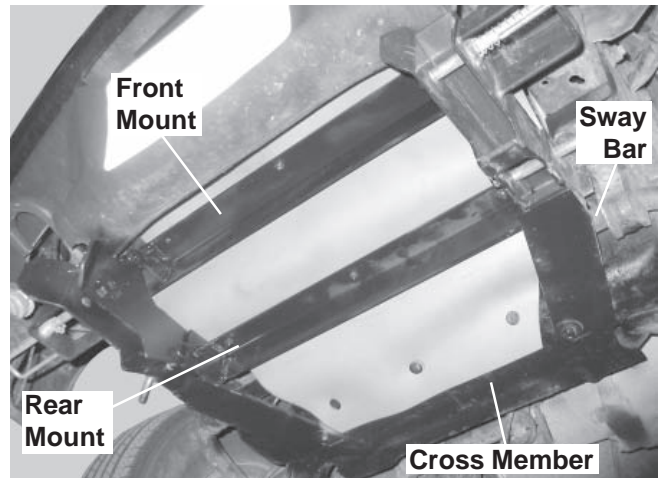
1. Lay the rubber material on a flat surface. Cut and drill the material according to the illustration below.



* = Drill 5/16" Hole (9 places)

2. Position the splash shield on the vehicle so that the tapered end is toward the rear and the shield is on top of both the front and rear mounts and below the vehicle sway bar.
3. Attach the middle of the splash shield to the rear mount by inserting the plastic push rivets down through the shield and into the mount. Attach the front of the splash shield to the front mount in the same manner.

4. Make sure the splash shield is under the vehicle sway bar, then pull the tapered end of the shield to the vehicle frame cross member. Mark the location of the three holes in the shield onto the cross member with a sharp object (nail or scribe).
5. Drill 9/32" holes where marked into the cross member.
6. Attach the tapered end of the splash shield to the cross member using the remaining three plastic push rivets.



The company reserves the right under its product improvement policy to change construction or design details and furnish equipment when so altered without reference to illustrations or specifications used.