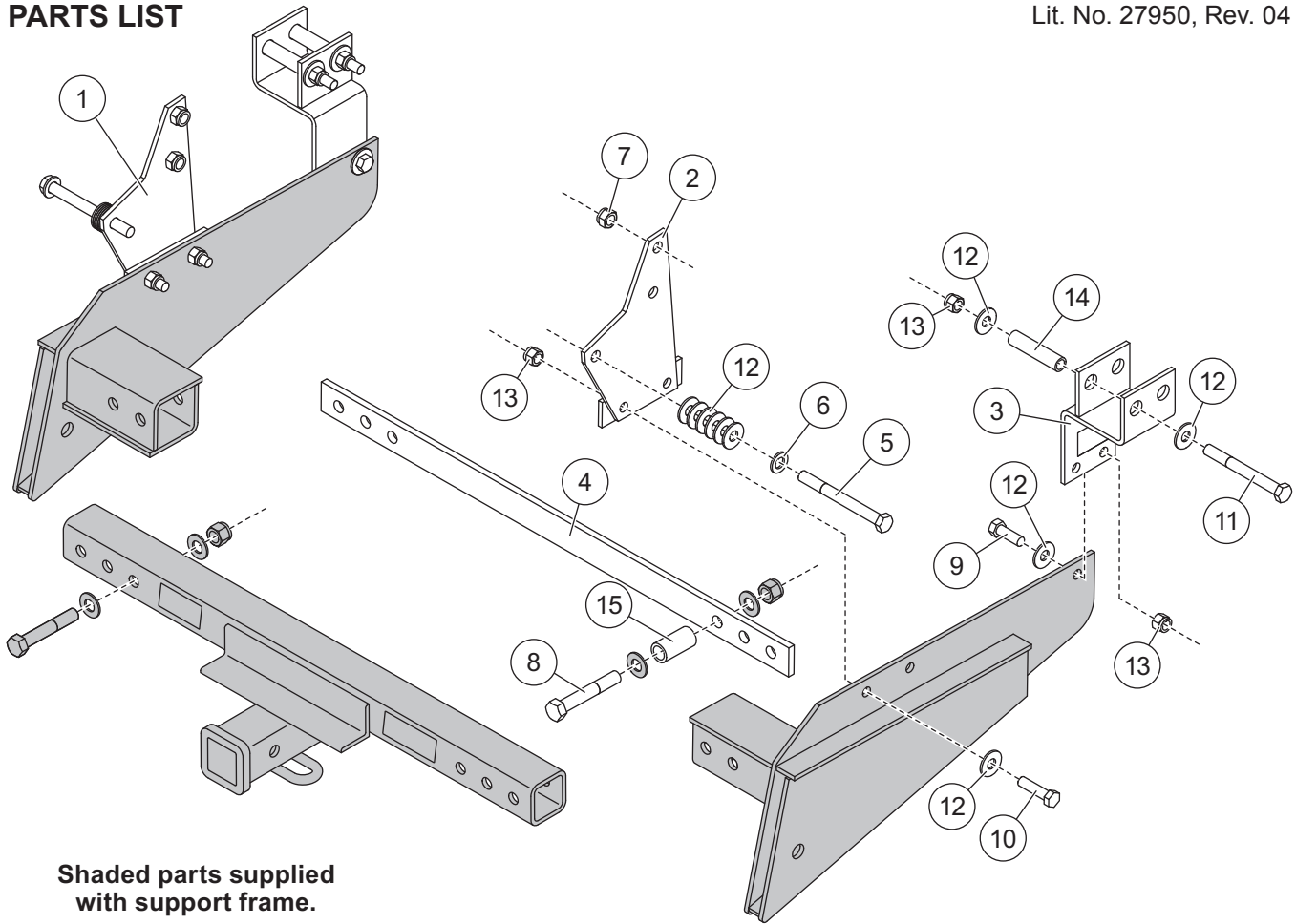


**PARTS LIST**



Shaded parts supplied with support frame.

27936 Mount Parts List						
Item	Part	Qty	Description	Item	Part	Qty Description
1	27964	1	Bracket, Rear, Driver-Side	4	27940	1 Cross Brace
2	27965	1	Bracket, Rear, Passenger-Side	ns	27943	1 Bolt Bag Assembly
3	27938	2	Bracket, Front			
27943 Bolt Bag Assembly						
5	27944	2	M14 x 2 x 140 Hex Cap Screw, Class 10.9	10	90217	4 1/2-13 x 2 Hex Cap Screw G5
6	27945	2	M14 Flat Washer, Hardened Steel	11	90110	4 1/2-13 x 5 Hex Cap Screw G5
7	95185	4	M14 x 2 Hex Locknut, Class 9	12	91105	28 1/2 Flat Washer, Type A Wide
8	27985	4	5/8-11 x 4-1/2 Hex Cap Screw G8	13	91335	10 1/2-13 Hex Locknut, GB
9	90210	2	1/2-13 x 1-1/2 Hex Cap Screw G5	14	63833	4 Spacer, Tube (3-1/4 Long)
				15	27947	4 Spacer, Tube (2-1/2 Long)
27969 Service Bolt Bag Assembly						
Item	Part	Qty	Description	Item	Part	Qty Description
5	27944	1	M14 x 2 x 140 Hex Cap Screw, Class 10.9	10	90217	2 1/2-13 x 2 Hex Cap Screw G5
6	27945	1	M14 Flat Washer, Hardened Steel	11	90110	2 1/2-13 x 5 Hex Cap Screw G5
7	95185	2	M14 x 2 Hex Locknut, Class 9	12	91105	9 1/2 Flat Washer, Type A Wide
8	27985	2	5/8-11 x 4-1/2 Hex Cap Screw G8	13	91335	3 1/2-13 Hex Locknut, GB
9	90210	1	1/2-13 x 1-1/2 Hex Cap Screw G5	14	63833	2 Spacer, Tube (3-1/4 Long)
				15	27947	2 Spacer, Tube (2-1/2 Long)
			ns = not shown			
				G = Grade		

Copyright © 2010 Douglas Dynamics, L.L.C. All rights reserved. This material may not be reproduced or copied, in whole or in part, in any printed, mechanical, electronic, film or other distribution and storage media, without the written consent of the company. Authorization to photocopy items for internal or personal use by the company's outlets or spreader owner is granted.

The company reserves the right under its product improvement policy to change construction or design details and furnish equipment when so altered without reference to illustrations or specifications used. This equipment manufacturer or the vehicle manufacturer may require or recommend optional equipment for spreaders. Do not exceed vehicle ratings with a spreader. The company offers a limited warranty for all spreaders and accessories. See separately printed page for this important information.

**Printed in U.S.A.**

---