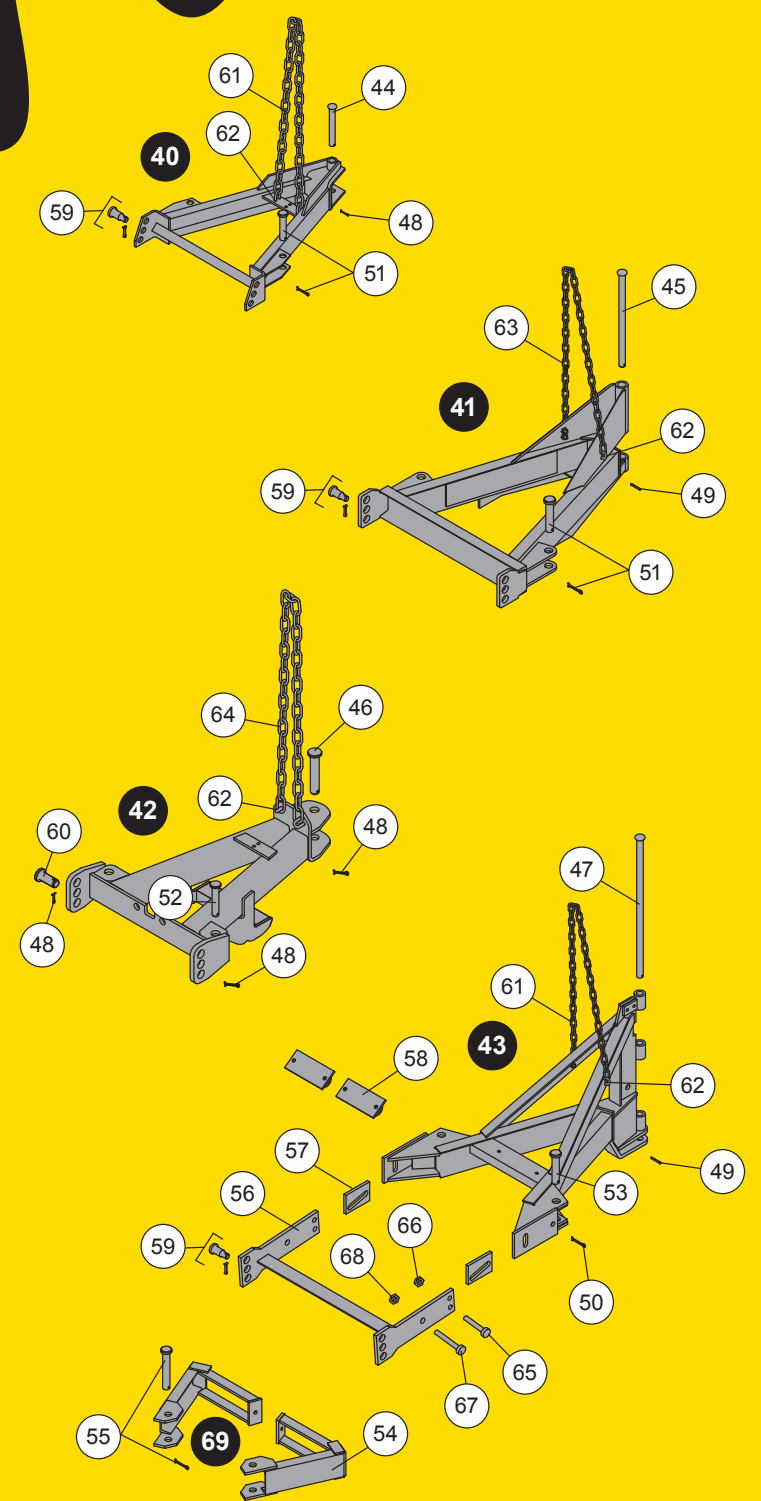
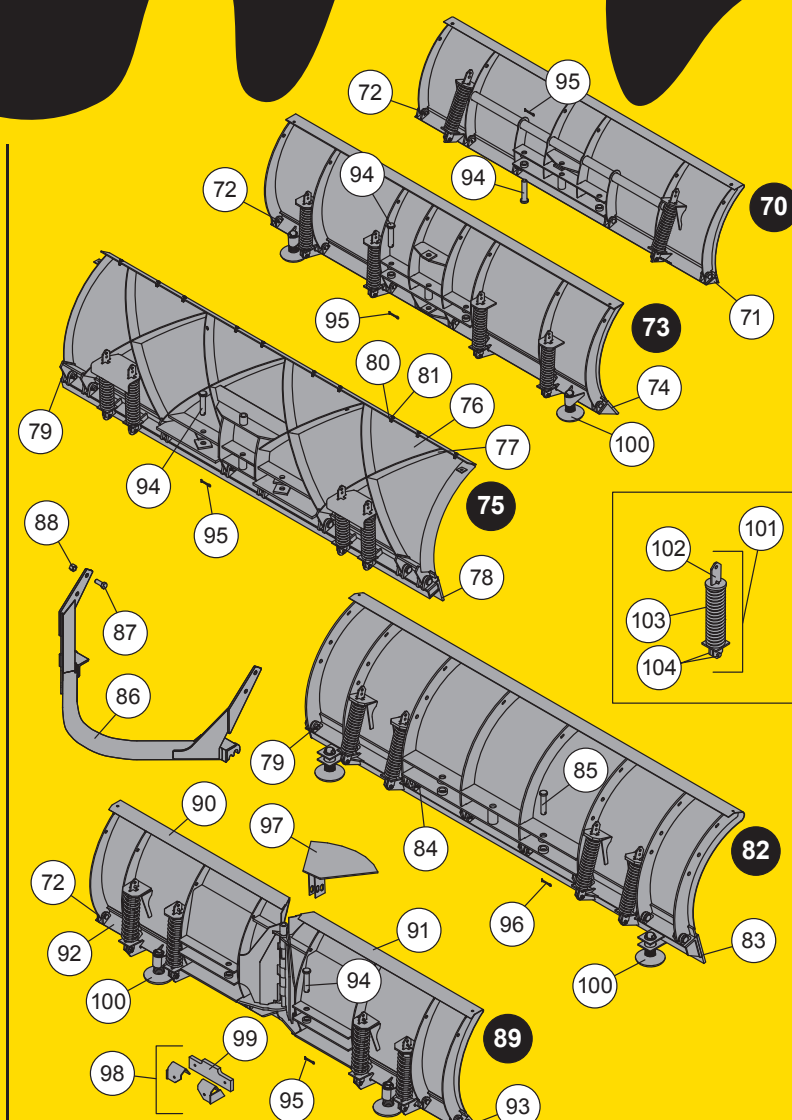


\*\* LD and MC components may look different than illustration shown. \*\*

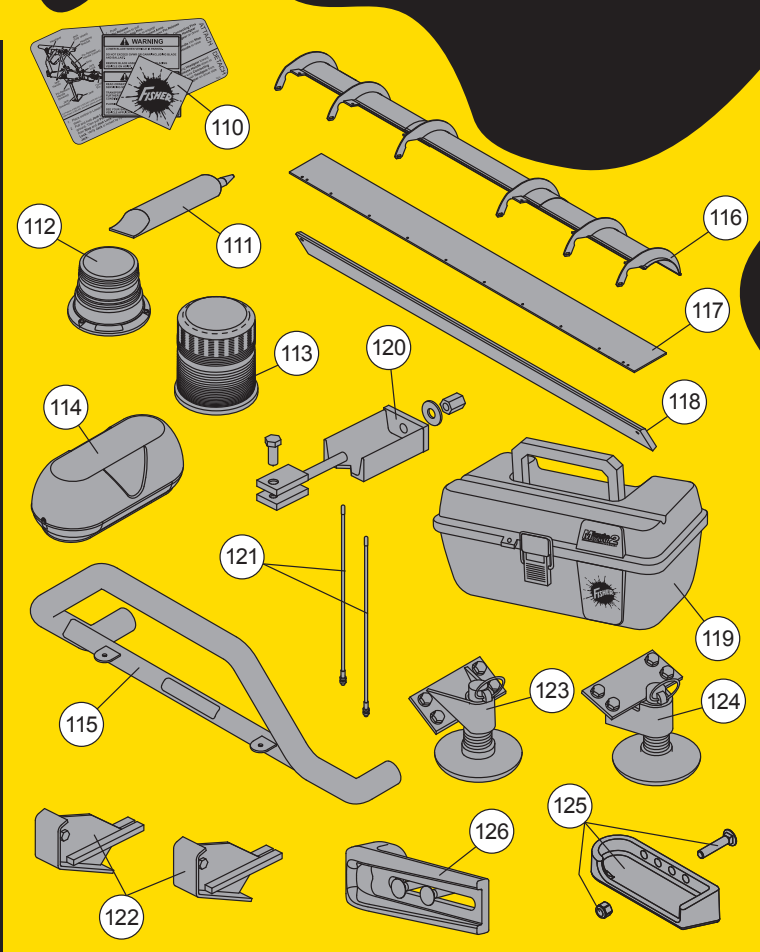
HEADGEAR		
Item	Part	Description
1	27472	Headgear (LD)
2	27454	Headgear (RD, HD, X, EZ-V <sup>®</sup> )
3	28571	Headgear (MC)
4	26757-1	Lift Arm Kit - Yellow (SD, HD, X, EZ-V)
5	27560-1	Lift Arm Kit - Silver (X)
6	28350-1	Lift Arm Kit - (MC)
7	28991	Stop Link Kit
8	27474	Jack (SD)
9	27462	Jack (HD, X, EZ-V)
10	26172	Jack (MC)
11	27163K	Bushing Kit (2 Bushings)
12	4289K	3/4 x 1-7/8 Machine Pin w/Cotter Pin
13	79058	5/32 x 1-1/4 Cotter Pin
14	27468	Handle-Link Arm Assembly
15	27166K	Wire Cam Kit - DS
16	27167K	Wire Cam Kit - PS
17	27478	Jack Lock
18	27461	3/4 OD x 3-1/2 Compression Spring
19	27168K	Connecting Pin Kit
20	821	1 ID x 3-1/2 Compression Spring
21	26833	1 OD x 6-15/16 Pin
22	90315	3/8 Flat Washer
23	91902	1/8 x 1 Cotter Pin
24	27162K	Stop Clip Kit
25	26188	Thimble
26	27535	Handle Cover Kit
27	27465	Link Arm
28	90043	3/8-16 x 2 Hex Cap Screw G5
29	91333	3/8-16 Hex Locknut GB
30	26219	Clevis Pin Kit
31	7904K	Clevis Pin w/Cotter Pin
32	29038	Heat-Treated Clevis Pin w/Cotter Pin
33	27534	Spring / U-Bolt Kit
34	27171K	Clevis Kit
35	27169K	Cable Kit
36	27075	1/8 Wire Rope Clip
37	27172K	Clamp Loop Kit
38	7903K	Anchor Pin w/Cotter Pin
39	27164K	Jack Handle Kit
40	91192	Round Flat Washer (EZ-V Only)
41	8284K	Cable Boot



A-FRAMES		
Item	Part	Description
40	27995-1	A-Frame w/Hardware (SD)
41	27598	A-Frame w/Hardware (HD, X)
42	27850	A-Frame (MC)
43	27400	A-Frame (EZ-V <sup>®</sup> )
44	27979	1 x 8 Clevis Pin
45	26060	1 x 15-13/16 Pivot Pin
46	20789	1-1/4 x 6-3/4 Pivot Pin
47	20988	V-Plow Pivot Pin
48	90013	1/4 x 2 Cotter Pin
49	26463	1/4 x 2 Slotted Spring Pin
50	90601	1/4 x 1-1/2 Cotter Pin
51	7903K	Anchor Pin w/Cotter Pin
52	20790	Commercial Ram Pin
53	22260	1 x 4-3/4 Clevis Pin
54	26583	Blade Stop
55	7905K	Pivot Pin w/Cotter Pin
56	27345	Push Assembly
57	27346	Slotted Plate
58	27533	A-Frame Stop
59	27177K	Step Pin Kit
60	26164	1-1/4 x 3-1/16 Pin
61	27912	Chain Bag (SD, EZ-V)
62	A6148K	U-Bolt w/Hardware
63	26999	Chain Bag (HD, X)
64	28351	Chain Bag (MC)
65	98003	5/8-11 x 2 Flanged Head G8
66	98004	5/8-11 Hex Flange Locknut G8
67	98037	3/4-10 x 2-1/2 Hex Cap Screw
68	98019	3/4-10 Hex Flange Locknut G8
69	26634	Blade Stop Kit



BLADES		
Item	Part	Description
70	28069	6'-9" Blade (SD <sup>1</sup> )
71	22180	6'-9" Base Angle (SD <sup>1</sup> )
72	28003	6'-9" Base Angle (SD <sup>2</sup> )
73	22181	7'-1/2" Base Angle (SD <sup>1</sup> )
74	27824	7'-1/2" Base Angle (SD <sup>2</sup> )
75	5523K	3/4 x 2-3/16" Machine Pin w/Cotter Pin
76	27500	7'-1/2" M-Series Blade (HD)
77	28000	8" M-Series Blade (HD)
78	28500	8-1/2" M-Series Blade (HD)
79	29000	9" M-Series Blade (HD)
80	29440	7'-1/2" Base Angle (HD)
81	26441	8" Base Angle (HD)
82	26442	8-1/2" Base Angle (HD)
83	26443	9" Base Angle (HD)
84	27510-1	7'-1/2" Stainless Steel Blade (X)
85	28100-1	8" Stainless Steel Blade (X)
86	29618-1	8" Polyethylene Blade (X)
87	28510-1	8-1/2" Stainless Steel Blade (X)
88	29100-1	9" Stainless Steel Blade (X)
89	29619-1	9" Polyethylene Blade (X)
90	26301	7'-1/2" Stainless Steel Moldboard (X)
91	28103	7'-1/2" Mild Steel Moldboard (X)
92	28415	8-1/2" Stainless Steel Moldboard (X)
93	28414	8-1/2" Mild Steel Moldboard (X)
94	29103	9" Stainless Steel Moldboard (X)
95	29101	9" Mild Steel Moldboard (X)
96	27538	8" Blade Frame w/o Base Angle (X)
97	28396	8-1/2" Blade Frame w/o Base Angle (X)
98	27539	9" Blade Frame w/o Base Angle (X)
99	26326	7'-1/2" Base Angle (X)
100	27558	8" Base Angle (X)
101	27285	8-1/2" Base Angle (X)
102	27559	9" Base Angle (X)
103	27241	1 x 2-3/4 Clevis Pin w/Cotter Pin (X, MC)
104	7905K	1 x 6 Pin w/Cotter Pin (8-1/2" X Outer Pins Only)
105	95410	3/8-16 Hex Locknut
106	98035	3/8-16 x 1 Button Cap Screw (w/o Deflector)
107	98042	3/8-16 x 1-1/2 Button Cap Screw (w/Deflector)
108	29250	9" Blade (MC <sup>3</sup> )
109	29350	10" Blade (MC <sup>3</sup> )
110	27259	9" Base Angle (MC <sup>3</sup> )
111	26949	9" Base Angle (MC <sup>4</sup> )
112	27240	10" Base Angle (MC <sup>4</sup> )
113	26950	10" Base Angle (MC <sup>4</sup> )
114	7903K	1 x 4 Anchor Pin w/Cotter Pin
115	20790	Commercial Ram Pin
116	28288	Angle Frame (MC <sup>3</sup> )
117	28639	Angle Frame (MC <sup>4</sup> )
118	90129	5/8-11 x 2 Hex Cap Screw G5 (MC <sup>3</sup> )
119	90286	3/4-10 x 2 Hex Cap Screw G5 (MC <sup>4</sup> )
120	91337	5/8-11 Hex Locknut GB (MC <sup>3</sup> )
121	90645	3/4-10 Hex Locknut GB (MC <sup>4</sup> )
122	89	8-1/2" Blade w/A-Frame (EZ-V <sup>®</sup> )
123	90	9-1/2" Blade w/A-Frame (EZ-V)
124	91	10" Blade w/A-Frame (EZ-V)
125	92	11" Blade w/A-Frame (EZ-V)
126	93	12" Blade w/A-Frame (EZ-V)
127	94	13" Blade w/A-Frame (EZ-V)
128	95	14" Blade w/A-Frame (EZ-V)
129	96	15" Blade w/A-Frame (EZ-V)
130	97	16" Blade w/A-Frame (EZ-V)
131	98	17" Blade w/A-Frame (EZ-V)
132	99	18" Blade w/A-Frame (EZ-V)
133	100	19" Blade w/A-Frame (EZ-V)
134	101	20" Blade w/A-Frame (EZ-V)
135	102	21" Blade w/A-Frame (EZ-V)
136	103	22" Blade w/A-Frame (EZ-V)
137	104	23" Blade w/A-Frame (EZ-V)



ACCESSORIES		
Item	Part	Description
110	28549	Universal Label Replacement Kit
111	22400K	2 oz Dielectric Grease Tube
112	26018-1	Mini Strobe Light
113	26019	Full-Size Strobe Light
114	26020-1	Mini Bar Light
115	26239	ProTube™ Bumper/Grille Guard - Stainless
116	26240	ProTube Bumper/Grille Guard - Black
117	27100	9-1/2" Steel Cutting Edge (EZ-V)
118	27100	9-1/2" Steel Cutting Edge (EZ-V)
119	27100	9-1/2" Steel Cutting Edge (EZ-V)
120	27100	9-1/2" Steel Cutting Edge (EZ-V)
121	27100	9-1/2" Steel Cutting Edge (EZ-V)
122	27100	9-1/2" Steel Cutting Edge (EZ-V)
123	27100	9-1/2" Steel Cutting Edge (EZ-V)
124	27100	9-1/2" Steel Cutting Edge (EZ-V)
125	27100	9-1/2" Steel Cutting Edge (EZ-V)
126	27100	9-1/2" Steel Cutting Edge (EZ-V)
127	27100	9-1/2" Steel Cutting Edge (EZ-V)
128	27100	9-1/2" Steel Cutting Edge (EZ-V)
129	27100	9-1/2" Steel Cutting Edge (EZ-V)
130	27100	9-1/2" Steel Cutting Edge (EZ-V)
131	27100	9-1/2" Steel Cutting Edge (EZ-V)
132	27100	9-1/2" Steel Cutting Edge (EZ-V)
133	27100	9-1/2" Steel Cutting Edge (EZ-V)
134	27100	9-1/2" Steel Cutting Edge (EZ-V)
135	27100	9-1/2" Steel Cutting Edge (EZ-V)
136	27100	9-1/2" Steel Cutting Edge (EZ-V)
137	27100	9-1/2" Steel Cutting Edge (EZ-V)
138	27100	9-1/2" Steel Cutting Edge (EZ-V)
139	27100	9-1/2" Steel Cutting Edge (EZ-V)
140	27100	9-1/2" Steel Cutting Edge (EZ-V)
141	27100	9-1/2" Steel Cutting Edge (EZ-V)
142	27100	9-1/2" Steel Cutting Edge (EZ-V)
143	27100	9-1/2" Steel Cutting Edge (EZ-V)
144	27100	9-1/2" Steel Cutting Edge (EZ-V)
145	27100	9-1/2" Steel Cutting Edge (EZ-V)
146	27100	9-1/2" Steel Cutting Edge (EZ-V)
147	27100	9-1/2" Steel Cutting Edge (EZ-V)
148	27100	9-1/2" Steel Cutting Edge (EZ-V)
149	27100	9-1/2" Steel Cutting Edge (EZ-V)
150	27100	9-1/2" Steel Cutting Edge (EZ-V)
151	27100	9-1/2" Steel Cutting Edge (EZ-V)
152	27100	9-1/2" Steel Cutting Edge (EZ-V)
153	27100	9-1/2" Steel Cutting Edge (EZ-V)
154	27100	9-1/2" Steel Cutting Edge (EZ-V)
155	27100	9-1/2" Steel Cutting Edge (EZ-V)
156	27100	9-1/2" Steel Cutting Edge (EZ-V)
157	27100	9-1/2" Steel Cutting Edge (EZ-V)
158	27100	9-1/2" Steel Cutting Edge (EZ-V)
159	27100	9-1/2" Steel Cutting Edge (EZ-V)
160	27100	9-1/2" Steel Cutting Edge (EZ-V)
161	27100	9-1/2" Steel Cutting Edge (EZ-V)
162	27100	9-1/2" Steel Cutting Edge (EZ-V)
163	27100	9-1/2" Steel Cutting Edge (EZ-V)
164	27100	9-1/2" Steel Cutting Edge (EZ-V)
165	27100	9-1/2" Steel Cutting Edge (EZ-V)
166	27100	9-1/2" Steel Cutting Edge (EZ-V)
167	27100	9-1/2" Steel Cutting Edge (EZ-V)
168	27100	9-1/2" Steel Cutting Edge (EZ-V)
169	27100	9-1/2" Steel Cutting Edge (EZ-V)
170	27100	9-1/2" Steel Cutting Edge (EZ-V)
171	27100	9-1/2" Steel Cutting Edge (EZ-V)
172	27100	9-1/2" Steel Cutting Edge (EZ-V)
173	27100	9-1/2" Steel Cutting Edge (EZ-V)
174	27100	9-1/2" Steel Cutting Edge (EZ-V)
175	27100	9-1/2" Steel Cutting Edge (EZ-V)
176	27100	9-1/2" Steel Cutting Edge (EZ-V)
177	27100	9-1/2" Steel Cutting Edge (EZ-V)
178	27100	9-1/2" Steel Cutting Edge (EZ-V)
179	27100	9-1/2" Steel Cutting Edge (EZ-V)
180	27100	9-1/2" Steel Cutting Edge (EZ-V)
181	27100	9-1/2" Steel Cutting Edge (EZ-V)
182	27100	9-1/2" Steel Cutting Edge (EZ-V)
183	27100	9-1/2" Steel Cutting Edge (EZ-V)
184	27100	9-1/2" Steel Cutting Edge (EZ-V)
185	27100	9-1/2" Steel Cutting Edge (EZ-V)
186	27100	9-1/2" Steel Cutting Edge (EZ-V)
187	27100	9-1/2" Steel Cutting Edge (EZ-V)
188	27100	9-1/2" Steel Cutting Edge (EZ-V)
189	27100	9-1/2" Steel Cutting Edge (EZ-V)
190	27100	9-1/2" Steel Cutting Edge (EZ-V)
191	27100	9-1/2" Steel Cutting Edge (EZ-V)
192	27100	9-1/2" Steel Cutting Edge (EZ-V)
193	27100	9-1/2" Steel Cutting Edge (EZ-V)
194	27100	9-1/2" Steel Cutting Edge (EZ-V)
195	27100	9-1/2" Steel Cutting Edge (EZ-V)
196	27100	9-1/2" Steel Cutting Edge (EZ-V)
197	27100	9-1/2" Steel Cutting Edge (EZ-V)
198	27100	9-1/2" Steel Cutting Edge (EZ-V)
199	27100	9-1/2" Steel Cutting Edge (EZ-V)
200	27100	9-1/2" Steel Cutting Edge (EZ-V)
201	27100	9-1/2" Steel Cutting Edge (EZ-V)
202	27100	9-1/2" Steel Cutting Edge (EZ-V)
203	27100	9-1/2" Steel Cutting Edge (EZ-V)
204	27100	9-1/2" Steel Cutting Edge (EZ-V)
205	27100	9-1/2" Steel Cutting Edge (EZ-V)
206	27100	9-1/2" Steel Cutting Edge (EZ-V)
207	27100	9-1/2" Steel Cutting Edge (EZ-V)
208	27100	9-1/2" Steel Cutting Edge (EZ-V)
209	27100	9-1/2" Steel Cutting Edge (EZ-V)
210	27100	9-1/2" Steel Cutting Edge (EZ-V)
211	27100	9-1/2" Steel Cutting Edge (EZ-V)
212	27100	9-1/2" Steel Cutting Edge (EZ-V)
213	27100	9-1/2" Steel Cutting Edge (EZ-V)
214	27100	9-1/2" Steel Cutting Edge (EZ-V)
215	27100	9-1/2" Steel Cutting Edge (EZ-V)
216	27100	9-1/2" Steel Cutting Edge (EZ-V)
217	27100	9-1/2" Steel Cutting Edge (EZ-V)
218	27100	9-1/2" Steel Cutting Edge (EZ-V)
219	27100	9-1/2" Steel Cutting Edge (EZ-V)
220	27100	9-1/2" Steel Cutting Edge (EZ-V)
221	27100	9-1/2" Steel Cutting Edge (EZ-V)
222	27100	9-1/2" Steel Cutting Edge (EZ-V)
223	27100	9-1/2" Steel Cutting Edge (EZ-V)
224	27100	9-1/2" Steel Cutting Edge (EZ-V)
225	27100	9-1/2" Steel Cutting Edge (EZ-V)
226	27100	9-1/2" Steel Cutting Edge (EZ-V)
227	27100	9-1/2" Steel Cutting Edge (EZ-V)
228	27100	9-1/2" Steel Cutting Edge (EZ-V)
229	27100	9-1/2" Steel Cutting Edge (EZ-V)
230	27100	9-1/2" Steel Cutting Edge (EZ-V)
231	27100	9-1/2" Steel Cutting Edge (EZ-V)
232	27100	9-1/2" Steel Cutting Edge (EZ-V)
233	27100	9-1/2" Steel Cutting Edge (EZ-V)
234	27100	9-1/2" Steel Cutting Edge (EZ-V)
235	27100	9-1/2" Steel Cutting Edge (EZ-V)
236	27100	9-1/2" Steel Cutting Edge (EZ-V)
237	27100	9-1/2" Steel Cutting Edge (EZ-V)
238	27100	9-1/2" Steel Cutting Edge (EZ-V)
239	27100	9-1/2" Steel Cutting Edge (EZ-V)
240	27100	9-1/2" Steel Cutting Edge (EZ-V)
241	27100	9-1/2" Steel Cutting Edge (EZ-V)
242	27100	9-1/2" Steel Cutting Edge (EZ-V)
243	27100	9-1/2" Steel Cutting Edge (EZ-V)
244	27100	9-1/2" Steel Cutting Edge (EZ-V)
245	27100	9-1/2" Steel Cutting Edge (EZ-V)
246	27100	9-1/2" Steel Cutting Edge (EZ-V)
247	27100	9-1/2" Steel Cutting Edge (EZ-V)
248	27100	9-1/2" Steel Cutting Edge (EZ-V)
249	27100	9-1/2" Steel Cutting Edge (EZ-V)
250	27100	9-1/2" Steel Cutting Edge (EZ-V)
251	27100	9-1/2" Steel Cutting Edge (EZ-V)
252	27100	9-1/2" Steel Cutting Edge (EZ-V)
253	27100	9-1/2" Steel Cutting Edge (EZ-V)
254	27100	9-1/2" Steel Cutting Edge (EZ-V)
255	27100	9-1/2" Steel Cutting Edge (EZ-V)
256	27100	9-1/2" Steel Cutting Edge (EZ-V)
257	27100	9-1/2" Steel Cutting Edge (EZ-V)
258	27100	9-1/2" Steel Cutting Edge (EZ-V)
259	27100	9-1/2" Steel Cutting Edge (EZ-V)
260	27100	9-1/2" Steel Cutting Edge (EZ-V)
261	27100	9-1/2" Steel Cutting Edge (EZ-V)
262	27100	9-1/2" Steel Cutting Edge (EZ-V)
263	27100	9-1/2" Steel Cutting Edge (EZ-V)
264	27100	9-1/2" Steel Cutting Edge (EZ-V)
265	27100	9-1/2" Steel Cutting Edge (EZ-V)
266	27100	9-1/2" Steel Cutting Edge (EZ-V)
267	27100	9-1/2" Steel Cutting Edge (EZ-V)
268	27100	9-1/2" Steel Cutting Edge (EZ-V)
269	27100	9-1/2" Steel Cutting Edge (EZ-V)
270	27100	9-1/2" Steel Cutting Edge (EZ-V)
271		