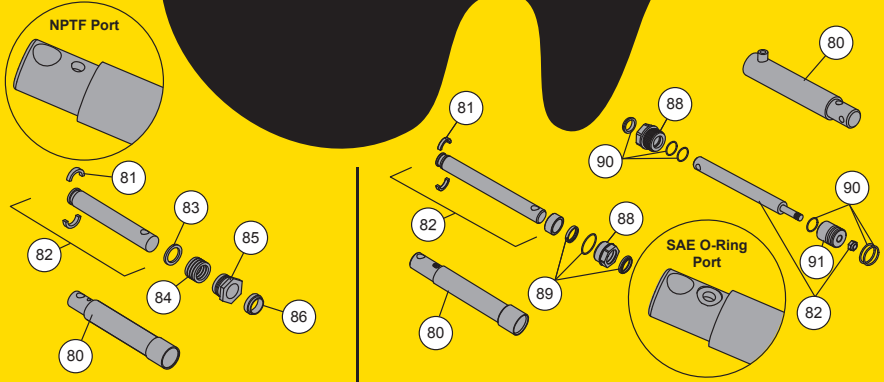


2-pc. Die-Cast Pump (Reference only. Replacement pump may look different.)



### RAMS

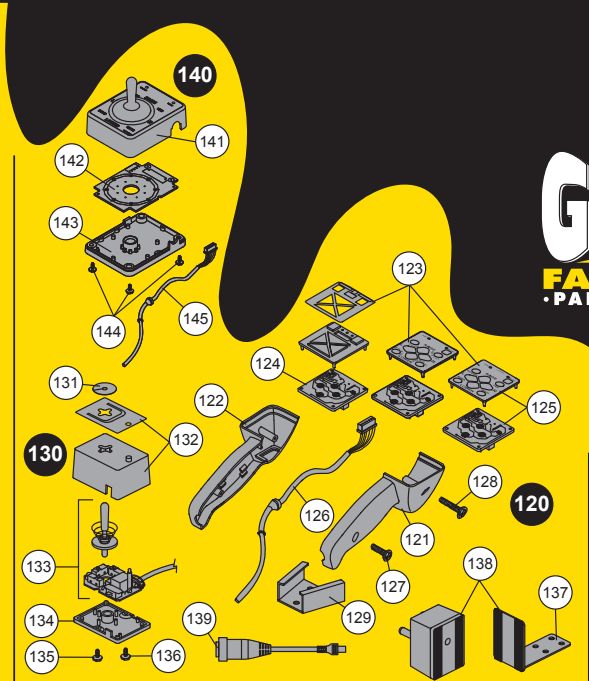
Item	Description	NPTF Port/Packing Nut					O-Ring/Gland Nut					
		20116K 1-1/2 x 10	20117K 1-1/2 x 12	A5096 1-1/2 x 6	A5166K 2 x 16	A3463 2 x 10 SA	56600K 1-1/2 x 10	49461 1-1/2 x 10	56716 1-1/2 x 6	56603K 1-1/2 x 12	56740 2 x 10 SA	56709F 2 x 10 DA
80	Cylinder						56602	50399	56702	56605	56676	64311
81	Split Bearing	20118K	20118K	20118K	6997	6997	20118K	20118K	20118K	20118K	64151	
82	Rod Assembly	26981	56715	56717		3626	26981	26981	56717	56715	64152	66394
83	Washer	338	338	338	91174	91174						
84	Packing Set	339K	339K	339K	3623	3623						
85	Packing Nut	5763	5763	5763	6998	6998						
86	Wiper	341K	341K	341K	3624	3624						
87	Spacer						56537	56537	56537	56537	56733	
88	Gland Nut						56555	56555	56555	56555	56734	56555
89	Seal Kit w/PolyPak Seal						56556	56556	56556	56556	64153	
90	Seal Kit For Pistons w/One Seal Groove											56669
91	2" Piston For Pistons w/One Seal Groove											56678
90/91	Seal Kit w/2" Piston For Pistons w/Two Seal Grooves											56678

SA = Single Acting DA = Double Acting

### RAM SELECTION CHART

Plow Type	LD		V		MC		RD/HD/X	
	NPTF	O-Ring	NPTF	O-Ring	NPTF	O-Ring	NPTF	O-Ring
Lift Ram	A5096	56718	20116K	56600K	A3463	56740	20116K	56600K
Angle Ram	20116K	56600K	56709F*	56709F*	A5166K	-	20117K	56603K

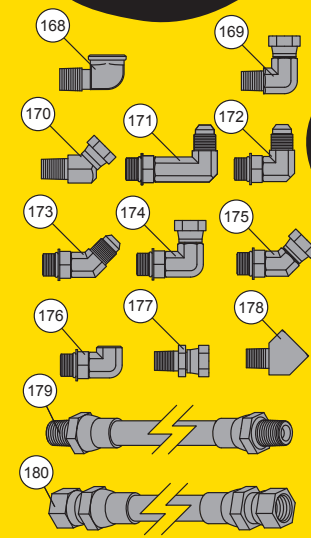
\* Replacement ram is packaged with 2 adapter fittings for NPTF hoses.



### CONTROLS

Item	Part	Description	Item	Part	Description
120	9400	Straight Blade Fish-Stik® Control	131	7641	Joystick Control Shield
	9800	EZ-V® Fish-Stik Assy, 9 Button	132	8333	Body w/Label and Lens
121	96456	Right Control Body	133	8334	Joystick PCB w/Lever (Style 3)
122	96457	Left Control Body	134	7646	Joystick Control Base
123	-	Keypad, 2 Lights Left (Straight)	135	93153	6-19 x 3/8 Tapping Screw
96440	Keypad, Split Lights (Straight)	136	93154	8-18 x 5/8 Tapping Screw	
66794	Keypad, 6 Button (EZ-V)	137	7714	Control Bracket w/Fasteners	
96450	Keypad, 9 Button (EZ-V, XV, XLS)	138	20254K	Dual Lock Mounting Kit	
56473	PCB Assembly (Straight)	139	21792K	Adapter Cable - V-Plow Control to Straight Blade	
69281	PCB and Keypad Assembly (EZ-V)	140	9900	EZ-V Joystick Assembly	
125	96449	PCB and Keypad Assembly 9 Button (EZ-V)	141	96358	Cover Assembly w/Actuator, Spring and Label
126	96437	Coiled Cord (Straight)	142	96367	PCB Assembly
69281	PCB/Harness, 9 Button (EZ-V)	143	96366	Bottom Housing	
96454	Coiled Cord, 9 Button (EZ-V)	144	96364	4 x 3/8 Tapping Screw	
127	93173	8-18 x 3/4 Tapping Screw	145	96365	Coiled Cord
128	93174	8-18 x 1-1/4 Tapping Screw	ns	69190	Fuse Kit, Pack of 5 (EZ-V)
129	56436	Control Bracket			
130	8292	Style 3 Solenoid Control			

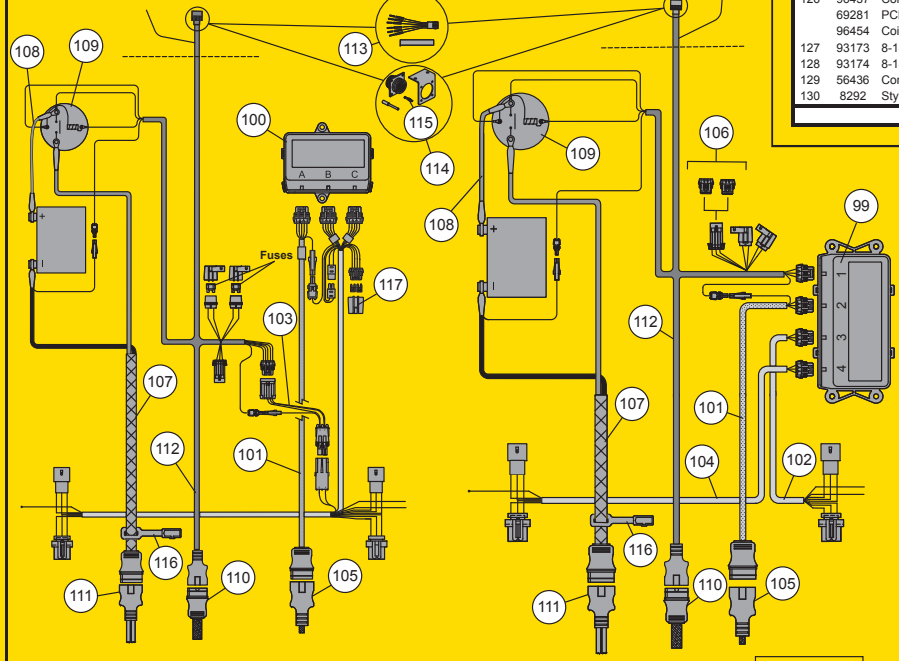
ns = not shown



### FITTINGS & HOSES

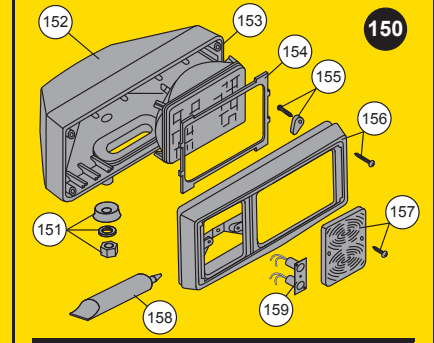
Item	Part	Description
168	2780K	1/4" NPTF x 90° Street Elbow
169	319K	90° AD Union (male) 1/4" NPTF/NPSM
170	8127K	45° AD Union (male) 1/4" NPTF/NPSM
171	56725	9/16" O-Ring to JIC 90° Elbow
172	44361	Elbow 90° Long - 8M O-Ring/MJIC
173	56726	9/16" O-Ring to JIC 45° Elbow
174	56723	9/16" O-Ring to 1/4" NPTF/NPSM 90° Elbow
175	56724	9/16" O-Ring to 1/4" NPTF/NPSM 45° Elbow
176	20316K	9/16" O-Ring to 1/4" NPTF 90° Elbow
177	66562	1/4" Straight AD Union (Male)
178	8476	1/4" NPTF x 45° Street Elbow
179	3074	1/4 x 22 HP Hose w/NPTF Ends
	8728	1/4 x 28 HP Hose w/NPTF Ends
	376	1/4 x 32 HP Hose w/NPTF Ends
	4424	1/4 x 36 HP Hose w/NPTF Ends
	375	1/4 x 42 HP Hose w/NPTF Ends
180	56754	1/4 x 18 HP Hose w/JIC Ends
	56830	1/4 x 22 HP Hose w/JIC Ends
	56710	1/4 x 32 HP Hose w/JIC Ends
	56599	1/4 x 36 HP Hose w/JIC Ends
	56599	1/4 x 42 HP Hose w/JIC Ends
	44868	3/8 x 60 Hose w/JIC Ends
	44316	3/8 x 45 Hose w/JIC Ends
	44867	3/8 x 57 Hose w/JIC Ends
	44348	3/8 x 42 Hose w/JIC Ends

HP = High Pressure



### ELECTRICAL COMPONENTS

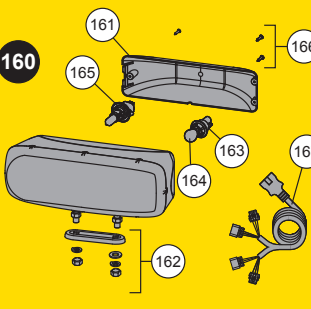
Item	Part	Description	Item	Part	Description
99	26400	Isolation Module (White Label)	110	26350	3-Pin Plow Control Harness (Straight)
100	29070-1	Isolation Module (Light Green Label) <sup>1</sup>	111	21294	3-Pin Plow Control Harness (EZ-V)
101	29760-1	Isolation Module (Blue Label)	112	26345	3-Pin Vehicle Control Harness (Straight)
102	26357	11-Pin Vehicle Lighting Harness	113	26346	7-Pin Vehicle Control Harness (EZ-V, XV, XLS)
	-	Short Plug-In Harness (See FISHER® Kit Selection Guide)	114	56496	Bagged Connector Assembly (EZ-V, XV, XLS)
103	29047	Adapter	115	21223	Socket Pin Connector - 10 Pack (EZ-V, XV, XLS)
104	-	Long Plug-In Harness (See FISHER Kit Selection Guide)	116	8291K	Plug Cover
105	26347	11-Pin Plow Lighting Harness	117	29998	Fuse Cover - 5 Pack
106	28420	Dust Cover Plug	118	27063K	3-Pin Plow-Side Isolation Module Repair End
	28421	Configuration Plug	119	27067K	7-Pin Vehicle-Side Isolation Module Repair End
107	63411	Vehicle Battery Cable		22334K	7-Pin Plow-Side Original Minute Mount Repair End
	-	Plug-In Harness (See FISHER Kit Selection Guide)		22335K	9-Pin Plow-Side Original Minute Mount Repair End
108	22511	22" Battery Cable		22337K	12-Pin Plow-Side Original Minute Mount Repair End
	20681	50" Battery Cable		22336K	9-Pin Vehicle-Side Original Minute Mount Repair End
	21563	90" Battery Cable		22338K	12-Pin Vehicle-Side Original Minute Mount Repair End
109	5794K-1	Motor Relay			



### HEADLAMPS

Item	Part	Description
150	8328	Headlamp Replacement (driver- or passenger-side)
151	6128	Headlamp Swivel and Fasteners
152	8796	Headlamp Housing
153	6728	2E1 Glass Sealed Beam Light
154	6664	Sealed Beam Gasket Set
155	A6153	2E1 Retainer Fingers w/Screws (4 each)
156	6122	Bezel w/Fasteners (driver- or passenger-side)
157	6123	Lens w/Fasteners (driver- or passenger-side)
158	22400K	2 oz. Dielectric Grease Tube
159	7436K	Socket and Wire Assembly
ns	28800-1	INTENSIFIRE™ Headlamp Kit (Pair)
ns	28801-1	Headlamp Service Kit DS
160	28802-1	Headlamp Service Kit PS
161	28803-1	Rear Cover Kit
162	28804	Mounting Hardware Kit
163	28805	Park/Turn Socket Service Kit
164	28806	Park/Turn Bulb (Trade No. 4157NAK)
165	28806	H13 Headlamp Bulb Service Kit
166	28808-1	Cover Screws Service Kit
167	28213K	Harness Service Kit

ns = not shown



Copyright © 2009 Douglas Dynamics, L.L.C. All rights reserved. This material may not be reproduced or copied, in whole or in part, in any printed, mechanical, electronic, film or other distribution and storage media, without the written consent of Fisher Engineering. Authorization to photocopy items for internal or personal use by Fisher Engineering outlets or snowplow owner is granted.

Fisher Engineering reserves the right under its product improvement policy to change construction or design details and furnish information when so altered without reference to illustrations or specifications used. Fisher Engineering or the vehicle manufacturer may require or recommend optional equipment for snow removal. Do not exceed vehicle ratings with a snowplow. Fisher Engineering offers a limited warranty for all snowplows and accessories. See separately printed page for this important information. The following are registered (®) or unregistered (™) trademarks of Douglas Dynamics, L.L.C.: EZ-V®, FISHER®, Fish-Stik®, Insta-Act®, INTENSIFIRE™, Minute Mount®, Minute Mount® 2, XLS™, Xtreme V™.