



Fisher Engineering

P.O. Box 529 Rockland, Maine 04841

September 1, 2005
Lit. No. 29045, Rev. 00



MOUNT KIT

Mitsubishi FG

1998 - 04

Installation Instructions

⚠ CAUTION

Read this document before installing the snowplow.

⚠ CAUTION

See your FISHER® outlet for application recommendations. The Kit Selection Guide has specific vehicle and snowplow requirements.

SAFETY DEFINITIONS

⚠ WARNING
Indicates a potentially hazardous situation that, if not avoided, could result in death or serious personal injury.

⚠ CAUTION
Indicates a potentially hazardous situation that, if not avoided, could result in damage to product or property.

NOTE: Identifies tips, helpful hints, and maintenance information the owner/operator should know.

SAFETY PRECAUTIONS

Improper installation and operation could cause personal injury, and/or equipment and property damage. Read and understand labels and the Owner's Manual before installing, operating, or making adjustments.

⚠ WARNING
Lower blade when vehicle is parked. Temperature changes could change hydraulic pressure, causing the blade to drop unexpectedly or damaging hydraulic components. Failure to do this can result in serious personal injury.

⚠ WARNING
Remove blade assembly before placing vehicle on hoist.

⚠ WARNING
The driver shall keep bystanders clear of the blade when it is being raised, lowered or angled. Do not stand between the vehicle and the blade or within 8 feet of a moving blade. A moving or falling blade could cause personal injury.

⚠ WARNING
Keep hands and feet clear of the blade and A-frame when mounting or removing the snowplow. Moving or falling assemblies could cause personal injury.

⚠ WARNING
Do not exceed GVWR or GAWR including blade and ballast. The rating label is found on driver-side vehicle door cornerpost.

⚠ CAUTION
Refer to the Kit Selection Guide for minimum vehicle recommendations and ballast requirements.

⚠ CAUTION
To prevent accidental movement of the blade, always turn the ON/OFF switch to OFF whenever the snowplow is not in use. The control indicator light will turn off.

PERSONAL SAFETY

- Wear only snug-fitting clothing while working on your vehicle or snowplow.
- Do not wear jewelry or a necktie, and secure long hair.
- Wear safety goggles to protect your eyes from battery acid, gasoline, dirt and dust.
- Avoid touching hot surfaces such as the engine, radiator, hoses and exhaust pipes.
- Always have a fire extinguisher rated BC handy, for flammable liquids and electrical fires.

FIRE AND EXPLOSION**⚠ WARNING**

Gasoline is highly flammable and gasoline vapor is explosive. Never smoke while working on a vehicle. Keep all open flames away from gasoline tanks and lines. Wipe up any spilled gasoline immediately.




Be careful when using gasoline. Do not use gasoline to clean parts. Store only in approved containers away from sources of heat or flame.

VENTILATION**⚠ WARNING**

Vehicle exhaust contains deadly carbon monoxide (CO) gas. Breathing this gas, even in low concentrations, could cause death. Never operate a vehicle in an enclosed area without venting exhaust to the outside.

TORQUE CHART**⚠ CAUTION**

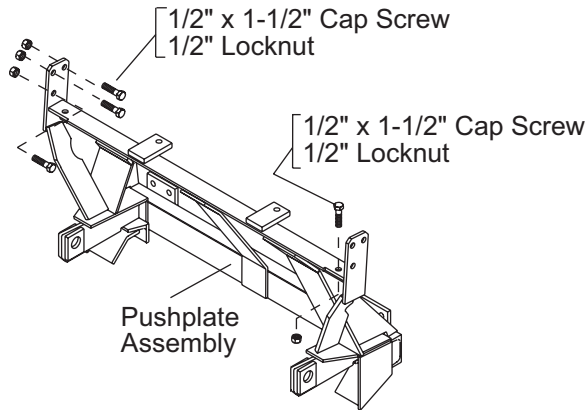
Read instructions before assembling. Fasteners should be finger tight until instructed to tighten according to the torque chart. Use standard methods and practices when attaching snowplow including proper personal protective safety equipment.

Recommended Fastener Torque Chart (Ft.-Lb.)			
Size	 SAE Grade 2	 SAE Grade 5	 SAE Grade 8
1/4-20	6	9	13
5/16-18	11	18	28
3/8-16	19	31	46
3/8-24	24	46	68
7/16-14	30	50	75
1/2-13	45	75	115
9/16-12	66	110	165
5/8-11	93	150	225
3/4-10	150	250	370
7/8-9	150	378	591
1-8	220	583	893
Metric Grade 8.8 (Ft.-Lb.)			
Size	Torque	Size	Torque
M 6	7	M 12	60
M 8	17	M 14	95
M 10	35	M 16	155
These torque values apply to fasteners except those noted in the instruction.			

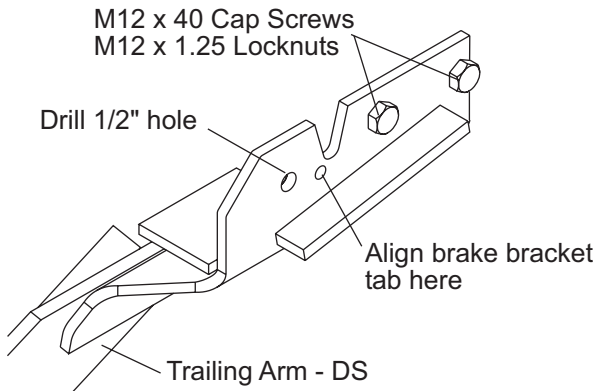
INSTALLATION INSTRUCTIONS

NOTE: If holes in the attachment do not align with the holes in the frame, first place fasteners in all holes that do align and ream remaining holes.

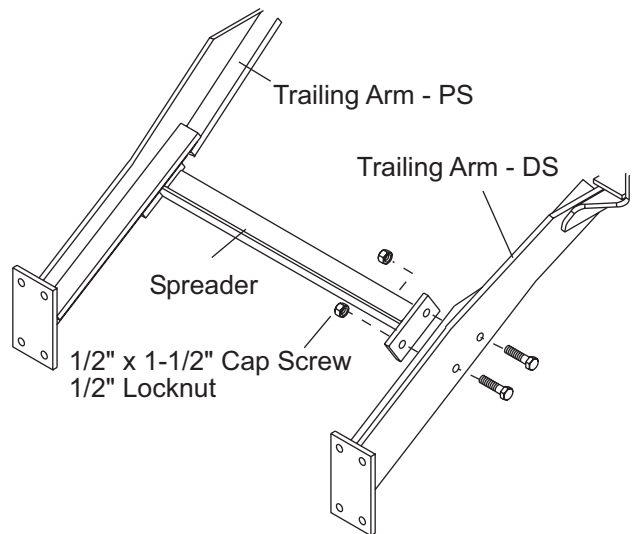
1. Install pushplate assembly by aligning the holes in the pushplate hanger with holes in the truck frame directly behind the bumper. **For vehicles with air conditioning:** Remove the A/C bracket bolts first, then slide the pushplate attachment hanger between the bracket and truck frame.



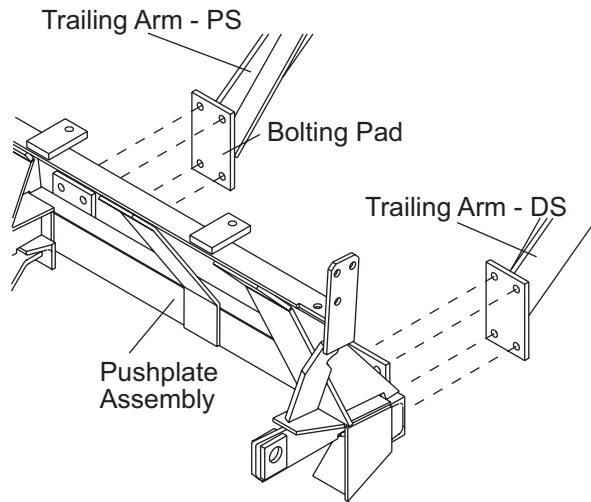
2. Fasten hangers to vehicle frame with six 1/2" x 1-1/2" cap screws and 1/2" locknuts. Fasten top of pushplate assembly with two 1/2" x 1-1/2" cap screws and 1/2" locknuts.
3. On one side, remove brake bracket in front of shock mount. Put trailing arm in place. Fasten with two M12 x 40 cap screws and two M12 x 1.25 locknuts.



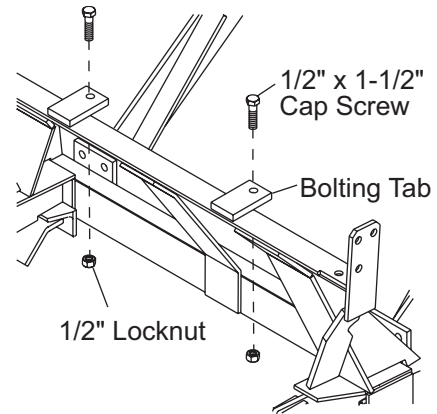
4. Place brake bracket over trailing arm, aligning bracket tab with small depression on arm. Enlarge existing hole in brake bracket and frame to 1/2" using trailing arm hole as a guide. Fasten with a M12 x 40 cap screw and M12 x 1.25 locknut.
5. Repeat Steps 3 & 4 on other side.
6. Install spreader between trailing arms using 1/2" x 1-1/2" cap screws and 1/2" locknuts. Install cap screws with heads between trailing arms and springs; locknuts to the inside.



7. Fasten passenger-side and driver-side trailing arm bolting pads to pushplate assembly with 1/2" x 1-1/2" cap screws and 1/2" locknuts.



8. Tighten all fasteners according to Torque Chart.
9. Drill holes in frame for the bolting tabs and fasten with 1/2" x 1-1/2" cap screws and 1/2" locknuts. Tighten according to Torque Chart.



NOTE: After five to ten hours of snowplow usage, retorque all pushplate assembly fasteners.

Fisher Engineering reserves the right under its product improvement policy to change construction or design details and furnish equipment when so altered without reference to illustrations or specifications used. Fisher Engineering and the vehicle manufacturer may require and/or recommend optional equipment for snow removal. Do not exceed vehicle ratings with a snowplow. Fisher Engineering offers a limited warranty on the snowplows and accessories. See separately printed page for this important information. The following are registered (®) trademarks of Douglas Dynamics, L.L.C.: FISHER®, Minute Mount® 2.

Printed in U.S.A.
