



# FISHER® Snowplows w/3-Port Isolation Module

## Kit Selection Guide 2005 Model Year

***Minute<sup>2</sup>***  
**Mount<sup>2</sup>**  
**SYSTEM**

***Homesteader***<sup>TM</sup>  
PERSONAL PLOW BY FISHER®

May 1, 2006  
Lit. No. 29305  
Rev. 00

Fisher Engineering  
P.O. Box 529  
Rockland, Maine 04841

This document supersedes all editions with an earlier date.

## Table of Contents

|                                      |    |                                     |    |
|--------------------------------------|----|-------------------------------------|----|
| General Information .....            | 3  | Toyota Attachment Kits .....        | 27 |
| Selection Example .....              | 4  | Mitsubishi Attachment Kits .....    | 28 |
| General Motors Attachment Kits ..... | 5  | International Attachment Kits ..... | 31 |
| Ford Attachment Kits .....           | 10 | Headlamp Reference Guide .....      | 32 |
| Dodge Attachment Kits .....          | 21 | Snowplow Component Weights .....    | 33 |
| Jeep Attachment Kits .....           | 25 | Snowplow Weight Calculation .....   | 34 |
| Nissan Attachment Kits .....         | 26 | Ballast Inquiry Sheet .....         | 35 |

| Abbreviation Key |                                       |      |                                 |
|------------------|---------------------------------------|------|---------------------------------|
| (2L)             | Two-Lamp Light System                 | HYD  | Hydraulic                       |
| (4L)             | Four-Lamp Light System                | KSG  | Kit Selection Guide             |
| 2WD              | Two Wheel Drive                       | LD   | Light Duty                      |
| 4WS              | Four Wheel Steering (Option Code NYS) | M/C  | Municipal / Commercial          |
| ABS              | Anti-Locking Braking System           | MM2  | Minute Mount® 2 System          |
| AC               | Air Conditioning                      | MS   | Mild Steel                      |
| ALT              | Alternator                            | OHC  | Overhead Cam                    |
| AT               | Automatic Transmission                | PEC  | Peculiar                        |
| Cg               | Center of Gravity                     | RD   | Regular Duty                    |
| D.I.             | Direct Injection                      | SEHP | Solenoid Electric Hydraulic Pak |
| DRL              | Daytime Running Lamps                 | SS   | Stainless Steel                 |
| DRW              | Dual Rear Wheel                       | SUV  | Sport Utility Vehicle           |
| FFV              | Flex Fuel Vehicle                     | W/   | With                            |
| FGAWR            | Front Gross Axle Weight Rating        | W/O  | Without                         |
| GAWR             | Gross Axle Weight Rating              | W/WO | With or Without                 |
| GVWR             | Gross Vehicle Weight Rating           | WB   | Wheelbase                       |
| HD               | Heavy Duty                            | X    | XBLADE™ Snowplow                |
| HO               | High Output                           | XV   | XtremeV™ Snowplow               |

# FISHER® Snowplows Kit Selection Guide – 2005 Model Year

## ⚠ WARNING

**New untitled vehicle installation of a snowplow requires National Highway Traffic Safety Administration altered vehicle certification labeling. Installer to verify that selected snowplow and ballast, if required, do not exceed GVWR or GAWR rating label and complies with FMVSS.**

## ⚠ WARNING

**Do not exceed GVWR or GAWR, including blade and ballast. The rating label is found on the driver-side vehicle door cornerpost.**

## General Information

The *Kit Selection Guide (KSG)* is designed to help you determine the appropriate snowplow components for a particular snowplow vehicle application. The information published in this guide is based on Federal Motor Vehicle Safety Standards (FMVSS) and a "representative" snowplow vehicle as defined in this guide. The vehicle includes a combined weight of 300 lb for occupants in the front seat location.

This *KSG* is for specific model year vehicles only and is listed on the front cover of this guide. This guide should be saved for future reference. New kit selection guides will be published for the upcoming model year and so on. The instructions on page 4 explain how to use the *Kit Selection Guide*.

## The "Representative Vehicle"

Knowing that today's snowplow vehicles come in a variety of sizes and configurations (such as wheel base, engine size, and handling packages), Fisher Engineering has defined a "representative vehicle" that contains the options most likely to appear on a typical snowplow application. The "representative vehicle" includes the following options:

- 4X4 Drivetrain (unless noted)
- Spare Tire & Wheel
- Automatic Transmission
- Rear Bumper
- Air Conditioning
- Full Fluids

**NOTE: If the vehicle in question does not match a vehicle listing in the *Kit Selection Guide*, or has options that differ from the "Representative Vehicle" as defined earlier, the ballast inquiry sheet must be filled out and submitted in order to determine plow availability and correct ballast amounts to maintain FMVSS compliance. Completed vehicle at no time shall exceed GVWR or GAWR.**

## Snowplow Product

Snowplows are considered motor vehicle equipment. The installer is ultimately responsible for determining and correctly labeling the vehicle with the addition of snowplow selection. No product selected and installed shall render inoperative the vehicle's safety compliance.

## Product Changes

All information is as accurate as we can determine but is subject to revision with additional or more

complete information. Fisher Engineering reserves the right under its product improvement policy to change construction or design details and furnish equipment when so altered without reference to illustrations or specifications used. Fisher Engineering or the vehicle manufacturer may require or recommend optional equipment for snow removal.

## Ballast

When ballast is required it must be secured behind the rear wheels in a manner which prevents it from sliding during normal driving. Ballast shall not exceed 1000 lb.

Fisher Engineering offers an optional ballast retainer kit (62849) for this purpose.

**NOTE: The Universal Attachment Kit is recommended for vehicles with a minimum of 5,000 pounds FGAWR only. Vehicles shall be rated between 14,000 and 27,500 GVWR for 9' MC and 10' MC snowplow installations. Snowplow and ballast or second unit bodies must comply with vehicle manufacturer's stated maximum gross vehicle weight (GVWR) and axle weight (GAWR) ratings. Vehicles must measure minimum of 22.5" from road to bottom of front frame for proper installation. Ballast Inquiry Sheet, if completed in full, can be faxed to (207) 596-2767 for assistance in snowplow and ballast recommendations. Weights for all snowplow products can be found in the current *Kit Selection Guide*. Snowplow headlamp kit must conform to vehicle lamp type.**

## Selection Example: Acme Motors 15000 VX with Minute Mount® 2 System

- Go to the section for the appropriate manufacturer.
- Go to the subsection for the desired snowplow type:
  - **Section 1:** Homesteader™, LD-Series & M-Series Snowplows
  - **Section 2:** XBLADE™ & MC-Series Snowplows
  - **Section 3:** EZ-V® & XtremeV™ Snowplows
- Start at the left-most column, find the **model** and appropriate configuration for the vehicle. In this case, 4X4, Regular Cab, 6.5 ft box, 5.3L V8 engine, 3925 Min. FGAWR.
- Locate the **peculiar light kit** for this vehicle: 29048. See Headlamp Reference Guide in the back of the *Kit Selection Guide* for more information.
- Locate the **peculiar attachment kit** for this vehicle: 1523 for Homesteader™ system or 7168 for Minute Mount® 2 system. Refer to any footnotes concerning conditions or requirements. For this example, the Minute Mount 2 system is selected and has two footnotes: 1 and 6.
- Locate the acceptable **blades** at the top of the table. Only those blades with ballast weights listed are valid applications. Three short dashes (---) indicate an invalid application. A question mark (?) indicates a ballast inquiry sheet must be completed.
- For this example, there are four acceptable blades. Choose the 8' HD M. This blade requires 600 lb of ballast.
- To order components for a complete snowplow package, read down from the top of the selected blade column to determine the part numbers. Be sure to select *one* Isolation Module, either DRL or Non-DRL, and *one* control, either joystick or hand-held. For this example, the part numbers would be:
  - 28000 (blade)
  - 27777 (common attachment / headgear kit)
  - 9840-2 (hydraulic kit)
  - 28800 (common light kit)
  - 29070 or 29060 (module)
  - 9400 or 8292 (control)
  - 29048 (peculiar light kit, from Step 4)
  - 7168 (peculiar attachment kit, from Step 5 – *must match blade*)

### 2005 Acme Motors

#### Section 1

#### Homesteader™, LD-Series & M-Series Snowplows

| Model    | Body Style | DRW     | Box Option | Engine Type | Min FGAWR | Min RGAWR | Min GVWR | Peculiar Light Kit | Personal Plow system |       | Ballast Guidelines, lbs (1) | MM2 system       |       | Ballast Guidelines, lbs (1) |            |              |         |              |         |     |     |
|----------|------------|---------|------------|-------------|-----------|-----------|----------|--------------------|----------------------|-------|-----------------------------|------------------|-------|-----------------------------|------------|--------------|---------|--------------|---------|-----|-----|
|          |            |         |            |             |           |           |          |                    | Peculiar Att.Kit     | Notes |                             | Peculiar Att.Kit | Notes | 6'-9" LD                    | 7'-1/2' LD | 7'-1/2' RD M | 8' HD M | 8'-1/2' HD M | 9' HD M |     |     |
| 15000 RS | 4x4        | Reg Cab | No         | 6.5 Box     | 4.3L V6   | 3925      | 3750     | 6400               | 1523                 | 3,6,8 | ---                         | 100              | 7168  | 6                           | ---        | 300          | 450     | 550          | 600     | --- |     |
| 15000 TU | 4x4        | Reg Cab | No         | 6.5 Box     | 4.8L V8   | 3925      | 3750     | 6400               | HB3/HB4 use 29048    | 1523  | 3,6,8                       | ---              | 150   | 7168                        | 6          | ---          | 350     | 500          | 650     | 650 | --- |
| 15000 VX | 4x4        | Reg Cab | No         | 6.5 Box     | 5.3L V8   | 3925      | 3750     | 6400               | HB3/HB4 use 29048    | 1523  | 3,6,8                       | ---              | 100   | 7168                        | 6          | ---          | 350     | 500          | 600     | 600 | --- |

| Homesteader™                                     |                | Minute Mount® 2              |                   |
|--|----------------|------------------------------|-------------------|
| Blade Length                                     | Blade Assembly | Blade Part Number            | Blade Part Number |
| 6'-8"  | Personal       | 27547                        | 27549             |
| 7'-4"  | Personal       | 27547                        | 27549             |
| Common Attachment Kit / Headgear Kit             |                | 27550                        |                   |
| Hydraulic Kit                                    |                | 27517                        |                   |
| Common Light                                     |                | 8435                         |                   |
| Choose Module                                    |                | DRLs: 29070, Non-DRLs: 29060 |                   |
| Choose a Hand-Held Control or a Joystick Control |                | 9400                         |                   |
|  |                | 8292                         |                   |

| Minute Mount® 2                                  |                | 8'                           |                   |
|--|----------------|------------------------------|-------------------|
| Blade Length                                     | Blade Assembly | Blade Part Number            | Blade Part Number |
| 6'-9"  | LD             | 28069                        | 27775             |
| 7'-1/2'  | LD             | 27500                        | 28000             |
| 7'-1/2'  | RD M           | 27500                        | 28000             |
| 8'   | HD M           | 28000                        | 28500             |
| 8'-1/2'  | HD M           | 28500                        | 29000             |
| 9'   | HD M           | 29000                        | 29000             |
| Common Attachment Kit / Headgear Kit             |                | 27750-1                      |                   |
| Hydraulic Kit                                    |                | 27775-1                      |                   |
| Common Light                                     |                | 9825-1                       |                   |
| Choose Module                                    |                | 28800                        |                   |
| Choose a Hand-Held Control or a Joystick Control |                | DRLs: 29070, Non-DRLs: 29060 |                   |
|  |                | 9400                         |                   |
|  |                | 8292                         |                   |

- Notes:**
- Ballast amounts are based on a "Representative Vehicle," defined in the vehicle selection guide instructions, and must be modified for all other configurations for axle and GVWR compliance.
  - Requires bumper notching.

- All New Style Only (2nd # in model # is 5 not 0) example: K15903. Refer to label in glove box for model number.
- These Snowplows Are For Personal/Homeowner Use Only.

# 2005 General Motors

## Section 1

### Homesteader™, LD-Series & M-Series Snowplows



|   |                                 |          |
|---|---------------------------------|----------|
| Blade Length  | 6'-8"                           | 7'-4"    |
| Blade Assembly                                      | Personal                        | Personal |
| Blade Part Number                                   | 27547                           | 27549    |
| Common Attachment Kit / Headgear Kit                | 27550                           |          |
| Hydraulic Kit                                       | 27517                           |          |
| Common Light  | 8435                            |          |
| Choose Module                                       | DRLs: 29070,<br>Non-DRLs: 29060 |          |
| Choose a Hand-Held Control<br>or a Joystick Control | 9400<br>8292                    |          |



|                              |               |                 |            |                 |            |
|------------------------------|---------------|-----------------|------------|-----------------|------------|
| 6'-9"<br>LD                  | 7'-1/2"<br>LD | 7'-1/2"<br>RD M | 8'<br>HD M | 8'-1/2"<br>HD M | 9'<br>HD M |
| 28069                        | 27775         | 27500           | 28000      | 28500           | 29000      |
| 27750-1                      |               |                 | 27777      |                 |            |
| 9825-1                       |               | 9840-2          |            |                 |            |
| 28800                        |               |                 |            |                 |            |
| DRLs: 29070, Non-DRLs: 29060 |               |                 |            |                 |            |
| 9400                         |               |                 |            |                 |            |
| 8292                         |               |                 |            |                 |            |

| Model                        | Body Style | DRW      | Box Option | Engine Type | Min<br>F<br>G<br>A<br>W<br>R | Min<br>R<br>G<br>A<br>W<br>R | Min<br>G<br>V<br>W<br>R | Peculiar Light Kit | Personal Plow system |   | Ballast Guidelines, lbs (1) | MM2 system       |       | Ballast Guidelines, lbs (1) |      |     |     |      |     |     |     |     |
|------------------------------|------------|----------|------------|-------------|------------------------------|------------------------------|-------------------------|--------------------|----------------------|---|-----------------------------|------------------|-------|-----------------------------|------|-----|-----|------|-----|-----|-----|-----|
|                              |            |          |            |             |                              |                              |                         |                    | Peculiar Att.Kit     | Notes   |                             | Peculiar Att.Kit | Notes |                             |      |     |     |      |     |     |     |     |
| ENVOY XUV                    | 4x4        | SU-4DR   | No         | ---         | 4.2L I6                      | 3200                         | 3400                    | 6300               | HB3/HB4<br>use 29052 | 1533-1  | 8                           | 0                | 0     | n/a                         | ---  | --- | --- | ---  | --- | --- | --- |     |
| ENVOY XUV                    | 4x4        | SU-4DR   | No         | ---         | 5.3L V8                      | 3200                         | 3400                    | 6375               |                      | 1533-1  | 8                           | 0                | 0     | n/a                         | ---  | --- | --- | ---  | --- | --- | --- |     |
| TRAILBLAZER/ENVOY            | 4x4        | SU-4DR   | No         | ---         | 4.2L I6                      | 2950                         | 3200                    | 5750               |                      | 1533-1  | 8                           | 100              | 200   | n/a                         | ---  | --- | --- | ---  | --- | --- | --- |     |
| TRAILBLAZER EXT/ENVOY XL     | 4x4        | SU-4DR   | No         | ---         | 4.2L I6                      | 3200                         | 3400                    | 6400               | HB3/HB4<br>use 29048 | 1533-1  | 8                           | 0                | 0     | n/a                         | ---  | --- | --- | ---  | --- | --- | --- |     |
| TRAILBLAZER EXT/ENVOY XL     | 4x4        | SU-4DR   | No         | ---         | 5.3L V8                      | 3200                         | 3400                    | 6400               |                      | 1533-1  | 8                           | 0                | 0     | n/a                         | ---  | --- | --- | ---  | --- | --- | --- |     |
| AVALANCHE 1500               | 4x4        | SU-4DR   | No         | ---         | 5.3L V8                      | 3800                         | 4000                    | 7000               |                      | 1523  | 3,6,8                       | ---              | 0     | 7168                        | 6    | --- | 0   | ---  | --- | --- | --- |     |
| TAHOE/YUKON 1500             | 4x4        | SU-4DR   | No         | ---         | 4.8L V8                      | 3600                         | 3800                    | 6900               | HB3/HB4<br>use 29048 | 1523  | 3,6,8                       | ---              | 0     | 7160                        | 6    | --- | 250 | ---  | --- | --- | --- |     |
| TAHOE/YUKON 1500             | 4x4        | SU-4DR   | No         | ---         | 4.8L V8                      | 3350                         | 3800                    | 6800               |                      | 1523  | 3,6,8                       | ---              | 0     | 7160                        | 6    | --- | --- | ---  | --- | --- | --- |     |
| TAHOE/YUKON 1500             | 4x4        | SU-4DR   | No         | ---         | 5.3L V8                      | 3600                         | 3800                    | 6900               |                      | 1523  | 3,6,8                       | ---              | 0     | 7160                        | 6    | --- | 250 | ---  | --- | --- | --- |     |
| TAHOE/YUKON 1500             | 4x4        | SU-4DR   | No         | ---         | 5.3L V8                      | 3350                         | 3800                    | 6800               |                      | 1523  | 3,6,8                       | ---              | 0     | 7160                        | 6    | --- | --- | ---  | --- | --- | --- |     |
| TAHOE/YUKON 1500             | 4x4        | SU-4DR   | No         | ---         | 5.3L BIF                     | 3600                         | 3800                    | 6900               |                      | 1523  | 3,6,8                       | ---              | 0     | 7160                        | 6    | --- | 300 | ---  | --- | --- | --- |     |
| TAHOE/YUKON 1500             | 4x4        | SU-4DR   | No         | ---         | 5.3L BIF                     | 3350                         | 3800                    | 6800               |                      | 1523  | 3,6,8                       | ---              | 0     | 7160                        | 6    | --- | --- | ---  | --- | --- | --- |     |
| YUKON DENALI                 | AWD        | SU-4DR   | No         | ---         | 6.0L V8                      | 3550                         | 4000                    | 7000               |                      | 1523  | 3,6,8                       | ---              | 0     | 7168                        | 3,6  | --- | --- | ---  | --- | --- | --- |     |
| YUKON DENALI +3RD Row Seat   | AWD        | SU-4DR   | No         | ---         | 6.0L V8                      | 3550                         | 4000                    | 7000               |                      | 1523  | 3,6,8                       | ---              | 0     | 7168                        | 3,6  | --- | --- | ---  | --- | --- | --- |     |
| YUKON XL DENALI              | AWD        | SU-4DR   | No         | ---         | 6.0L V8                      | 3600                         | 4000                    | 8500               |                      | 1523  | 3,6,8                       | ---              | 0     | 7168                        | 3,6  | --- | --- | ---  | --- | --- | --- |     |
| SUBURBAN/YUKON XL 1500       | 4x4        | SU-4DR   | No         | ---         | 5.3L BIF                     | 3600                         | 4000                    | 7200               |                      | 1523  | 3,6,8                       | ---              | 0     | 7160                        | 3,6  | --- | --- | ---  | --- | --- | --- |     |
| AVALANCHE 2500               | 4x4        | SU-4DR   | No         | ---         | 8.1L V8                      | 4380                         | 5500                    | 8600               |                      | n/a   | ---                         | ---              | ---   | 7169                        | 6    | --- | --- | 1000 | --- | --- | --- |     |
| SUBURBAN/YUKON XL 2500 w/4WS | 4x4        | SU-4DR   | No         | ---         | 6.0L V8                      | 4180                         | 5500                    | 8600               |                      | n/a   | ---                         | ---              | ---   | 7161                        | 3    | --- | 0   | ---  | --- | --- | --- |     |
| SUBURBAN/YUKON XL 2500       | 4x4        | SU-4DR   | No         | ---         | 6.0L V8                      | 4180                         | 5500                    | 8600               |                      | n/a   | ---                         | ---              | ---   | 7161                        | 3    | --- | 0   | 300  | --- | --- | --- |     |
| COLORADO/CANYON Z71          | 4x4        | Reg Cab  | No         | 6.1 Box     | 2.8L I4                      | 2753                         | 2896                    | 5150               |                      | HB3/HB4<br>US use<br>29048 or<br>HB3/HB4<br>Canada use<br>29048 | 31543                       | 3,8              | 50    | 100                         | 7175 | 3   | 700 | 800  | --- | --- | --- | --- |
| COLORADO/CANYON Z71          | 4x4        | Reg Cab  | No         | 6.1 Box     | 3.5L I5                      | 2753                         | 2896                    | 5150               |                      |   | 31543                       | 3,8              | 100   | 100                         | 7175 | 3   | --- | ---  | --- | --- | --- | --- |
| COLORADO/CANYON Z71          | 4x4        | Ext Cab  | No         | 6.1 Box     | 2.8L I4                      | 2753                         | 2896                    | 5300               | 31543                |   | 3,8                         | 50               | 100   | 7175                        | 3    | --- | --- | ---  | --- | --- | --- |     |
| COLORADO/CANYON Z71          | 4x4        | Ext Cab  | No         | 6.1 Box     | 3.5L I5                      | 2753                         | 2896                    | 5300               | 31543                |   | 3,8                         | 250              | 350   | 7175                        | 3    | --- | --- | ---  | --- | --- | --- |     |
| COLORADO/CANYON Z71          | 4x4        | Crew Cab | No         | 5.0 Box     | 3.5L I5                      | 2753                         | 2896                    | 5300               | 31543                |   | 3,8                         | 250              | 350   | 7175                        | 3    | --- | --- | ---  | --- | --- | --- |     |
| COLORADO/CANYON Z85          | 4x4        | Reg Cab  | No         | 6.1 Box     | 2.8L I4                      | 2753                         | 2896                    | 5150               | 31543                |   | 3,8                         | 50               | 100   | 7175                        | 3    | 700 | 800 | ---  | --- | --- | --- |     |
| COLORADO/CANYON Z85          | 4x4        | Reg Cab  | No         | 6.1 Box     | 3.5L I5                      | 2753                         | 2896                    | 5150               | 31543                |   | 3,8                         | 100              | 100   | 7175                        | 3    | --- | --- | ---  | --- | --- | --- |     |
| COLORADO/CANYON Z85          | 4x4        | Ext Cab  | No         | 6.1 Box     | 2.8L I4                      | 2753                         | 2896                    | 5300               | 31543                |   | 3,8                         | 50               | 100   | 7175                        | 3    | --- | --- | ---  | --- | --- | --- |     |
| COLORADO/CANYON Z85          | 4x4        | Ext Cab  | No         | 6.1 Box     | 3.5L I5                      | 2753                         | 2896                    | 5300               | 31543                |   | 3,8                         | 200              | 300   | 7175                        | 3    | --- | --- | ---  | --- | --- | --- |     |
| COLORADO/CANYON Z85          | 4x4        | Crew Cab | No         | 5.0 Box     | 2.8L I4                      | 2753                         | 2896                    | 5300               | 31543                |   | 3,8                         | 0                | 50    | 7175                        | 3    | --- | --- | ---  | --- | --- | --- |     |
| COLORADO/CANYON Z85          | 4x4        | Crew Cab | No         | 5.0 Box     | 3.5L I5                      | 2753                         | 2896                    | 5300               | 31543                |   | 3,8                         | 250              | 350   | 7175                        | 3    | --- | --- | ---  | --- | --- | --- |     |
| K1500 SILV/SIERRA            | 4x4        | Reg Cab  | No         | 6.5 Box     | 4.3L V6                      | 3925                         | 3750                    | 6400               | HB3/HB4<br>use 29048 |   | 1523                        | 3,6,8            | ---   | 0                           | 7168 | 6   | --- | 250  | 400 | 500 | 500 | --- |
| K1500 SILV/SIERRA            | 4x4        | Reg Cab  | No         | 6.5 Box     | 4.8L V8                      | 3925                         | 3750                    | 6400               |                      |   | 1523                        | 3,6,8            | ---   | 50                          | 7168 | 6   | --- | 300  | 450 | --- | --- | --- |
| K1500 SILV/SIERRA            | 4x4        | Reg Cab  | No         | 6.5 Box     | 5.3L V8                      | 3925                         | 3750                    | 6400               |                      |   | 1523                        | 3,6,8            | ---   | 50                          | 7168 | 6   | --- | 300  | 450 | --- | --- | --- |
| K1500 SILV/SIERRA            | 4x4        | Reg Cab  | No         | 8.0 Box     | 4.3L V6                      | 3925                         | 3750                    | 6400               |                      |   | 1523                        | 3,6,8            | ---   | 50                          | 7168 | 6   | --- | 250  | 400 | 550 | --- | --- |
| K1500 SILV/SIERRA            | 4x4        | Reg Cab  | No         | 8.0 Box     | 4.8L V8                      | 3925                         | 3750                    | 6400               |                      | 1523  | 3,6,8                       | ---              | 50    | 7168                        | 6    | --- | 300 | 400  | --- | --- | --- |     |
| K1500 SILV/SIERRA            | 4x4        | Reg Cab  | No         | 8.0 Box     | 5.3L V8                      | 3925                         | 3750                    | 6400               |                      | 1523  | 3,6,8                       | ---              | 100   | 7168                        | 6    | --- | 300 | 450  | --- | --- | --- |     |

- Notes:
- Ballast amounts are based on a "Representative Vehicle," defined in the vehicle selection guide instructions, and must be modified for all other configurations for axle and GVWR compliance.
  - Requires bumper notching.

- All New Style Only (2nd # in model # is 5 not 0) example: K15903. Refer to label in glove box for model number.
- These Snowplows Are For Personal/Homeowner Use Only.

# 2005 General Motors

## Section 1

### Homesteader™, LD-Series & M-Series Snowplows



|   |                                 |          |
|---|---------------------------------|----------|
| Blade Length  | 6'-8"                           | 7'-4"    |
| Blade Assembly                                      | Personal                        | Personal |
| Blade Part Number                                   | 27547                           | 27549    |
| Common Attachment Kit / Headgear Kit                | 27550                           |          |
| Hydraulic Kit                                       | 27517                           |          |
| Common Light  | 8435                            |          |
| Choose Module                                       | DRLs: 29070,<br>Non-DRLs: 29060 |          |
| Choose a Hand-Held Control<br>or a Joystick Control | 9400                            |          |
|   | 8292                            |          |



|                              |               |                 |            |                 |            |
|------------------------------|---------------|-----------------|------------|-----------------|------------|
| 6'-9"<br>LD                  | 7'-1/2"<br>LD | 7'-1/2"<br>RD M | 8'<br>HD M | 8'-1/2"<br>HD M | 9'<br>HD M |
| 28069                        | 27775         | 27500           | 28000      | 28500           | 29000      |
| 27750-1                      |               | 27777           |            |                 |            |
| 9825-1                       |               | 9840-2          |            |                 |            |
| 28800                        |               |                 |            |                 |            |
| DRLs: 29070, Non-DRLs: 29060 |               |                 |            |                 |            |
| 9400                         |               |                 |            |                 |            |
| 8292                         |               |                 |            |                 |            |

| Model                   | Body Style | DRW      | Box Option | Engine Type | Min F G A W R | Min R G A W R | Min G V W R | Peculiar Light Kit | Personal Plow system |       | Ballast Guidelines, lbs (1) | MM2 system       |       | Ballast Guidelines, lbs (1) |     |     |     |     |      |      |      |
|-------------------------|------------|----------|------------|-------------|---------------|---------------|-------------|--------------------|----------------------|-------|-----------------------------|------------------|-------|-----------------------------|-----|-----|-----|-----|------|------|------|
|                         |            |          |            |             |               |               |             |                    | Peculiar Att.Kit     | Notes |                             | Peculiar Att.Kit | Notes |                             |     |     |     |     |      |      |      |
| K1500 SILV/SIERRA       | 4x4        | Ext Cab  | No         | 6.5 Box     | 4.8L V8       | 3925          | 3750        | 6400               | 1523                 | 3,6,8 | ---                         | 50               | 7168  | 6                           | --- | 300 | --- | --- | ---  | ---  | ---  |
| K1500 SILV/SIERRA       | 4x4        | Ext Cab  | No         | 6.5 Box     | 5.3L V8 HO    | 3925          | 3750        | 6400               | 1523                 | 3,6,8 | ---                         | 50               | 7168  | 6                           | --- | 250 | 450 | --- | ---  | ---  | ---  |
| K1500 SILV/SIERRA       | 4x4        | Ext Cab  | No         | 8.0 Box     | 4.8L V8       | 3925          | 3750        | 6400               | 1523                 | 3,6,8 | ---                         | 50               | 7168  | 6                           | --- | 350 | --- | --- | ---  | ---  | ---  |
| K1500 SILV/SIERRA       | 4x4        | Ext Cab  | No         | 8.0 Box     | 5.3L V8       | 3925          | 3750        | 6400               | 1523                 | 3,6,8 | ---                         | 50               | 7168  | 6                           | --- | 350 | --- | --- | ---  | ---  | ---  |
| K1500 SILV/SIERRA       | 4x4        | Crew Cab | No         | 5.8 Box     | 5.3L V8       | 3925          | 4000        | 7000               | 1523                 | 3,6,8 | ---                         | 0                | 7168  | 6                           | --- | 450 | --- | --- | ---  | ---  | ---  |
| K1500 SILV/SIERRA w/4WS | 4x4        | Ext Cab  | No         | 6.5 Box     | 4.8L V8       | 3925          | 4000        | 6900               | 1523                 | 3,6,8 | ---                         | 0                | 7168  | 6                           | --- | 50  | --- | --- | ---  | ---  | ---  |
| K1500 SILV/SIERRA w/4WS | 4x4        | Ext Cab  | No         | 6.5 Box     | 5.3L V8       | 3925          | 4000        | 6900               | 1523                 | 3,6,8 | ---                         | 0                | 7168  | 6                           | --- | 50  | --- | --- | ---  | ---  | ---  |
| SIERRA DENALI           | AWD        | Crew Cab | No         | 5.8 Box     | 6.0L V8       | 3925          | 4000        | 7000               | 1523                 | 3,6,8 | ---                         | 0                | 7168  | 3,6                         | --- | 550 | --- | --- | ---  | ---  | ---  |
| K1500HD SILV/SIERRA     | 4x4        | Crew Cab | No         | 6.5 Box     | 6.0L V8       | 4410          | 6000        | 8600               | n/a                  | ---   | ---                         | ---              | 7169  | 6                           | --- | 200 | 900 | --- | ---  | ---  | ---  |
| K2500HD SILV/SIERRA     | 4x4        | Reg Cab  | No         | 8.0 Box     | 6.0L V8       | 4800          | 6084        | 9200               | n/a                  | ---   | ---                         | ---              | 7169  | 6                           | --- | --- | 200 | 300 | 300  | 300  | 300  |
| K2500HD SILV/SIERRA     | 4x4        | Reg Cab  | No         | 8.0 Box     | 6.0L V8       | 4500          | 6084        | 9200               | n/a                  | ---   | ---                         | ---              | 7169  | 6                           | --- | --- | 200 | 300 | 300  | 300  | 300  |
| K2500HD SILV/SIERRA     | 4x4        | Reg Cab  | No         | 8.0 Box     | 6.6L D        | 4800          | 6084        | 9200               | n/a                  | ---   | ---                         | ---              | 7169  | 6                           | --- | --- | 350 | 850 | 950  | 1000 | 1000 |
| K2500HD SILV/SIERRA     | 4x4        | Reg Cab  | No         | 8.0 Box     | 8.1L V8       | 4800          | 6084        | 9200               | n/a                  | ---   | ---                         | ---              | 7169  | 6                           | --- | --- | 250 | 350 | 400  | 400  | 400  |
| K2500HD SILV/SIERRA     | 4x4        | Reg Cab  | No         | 8.0 Box     | 8.1L V8       | 4500          | 6084        | 9200               | n/a                  | ---   | ---                         | ---              | 7169  | 6                           | --- | --- | 750 | --- | ---  | ---  | ---  |
| K2500HD SILV/SIERRA     | 4x4        | Ext Cab  | No         | 6.5 Box     | 6.0L V8       | 4800          | 6084        | 9200               | n/a                  | ---   | ---                         | ---              | 7169  | 6                           | --- | --- | 300 | 400 | 450  | 450  | 450  |
| K2500HD SILV/SIERRA     | 4x4        | Ext Cab  | No         | 6.5 Box     | 6.0L V8       | 4670          | 6084        | 9200               | n/a                  | ---   | ---                         | ---              | 7169  | 6                           | --- | --- | 300 | 400 | 450  | 450  | 450  |
| K2500HD SILV/SIERRA     | 4x4        | Ext Cab  | No         | 6.5 Box     | 6.6L D        | 4800          | 6084        | 9200               | n/a                  | ---   | ---                         | ---              | 7169  | 6                           | --- | --- | 950 | --- | ---  | ---  | ---  |
| K2500HD SILV/SIERRA     | 4x4        | Ext Cab  | No         | 6.5 Box     | 8.1L V8       | 4800          | 6084        | 9200               | n/a                  | ---   | ---                         | ---              | 7169  | 6                           | --- | --- | 400 | 800 | 850  | 950  | 950  |
| K2500HD SILV/SIERRA     | 4x4        | Ext Cab  | No         | 6.5 Box     | 8.1L V8       | 4670          | 6084        | 9200               | n/a                  | ---   | ---                         | ---              | 7169  | 6                           | --- | --- | 750 | --- | ---  | ---  | ---  |
| K2500HD SILV/SIERRA     | 4x4        | Ext Cab  | No         | 8.0 Box     | 6.0L V8       | 4800          | 6084        | 9200               | n/a                  | ---   | ---                         | ---              | 7169  | 6                           | --- | --- | 250 | 350 | 350  | 350  | 350  |
| K2500HD SILV/SIERRA     | 4x4        | Ext Cab  | No         | 8.0 Box     | 8.1L V8       | 4800          | 6084        | 9200               | n/a                  | ---   | ---                         | ---              | 7169  | 6                           | --- | --- | 400 | 950 | 1000 | ---  | ---  |
| K2500HD SILV/SIERRA     | 4x4        | Crew Cab | No         | 6.5 Box     | 6.0L V8       | 4800          | 6084        | 9200               | n/a                  | ---   | ---                         | ---              | 7169  | 6                           | --- | --- | 350 | 450 | 450  | 500  | 500  |
| K2500HD SILV/SIERRA     | 4x4        | Crew Cab | No         | 6.5 Box     | 8.1L V8       | 4800          | 6084        | 9200               | n/a                  | ---   | ---                         | ---              | 7169  | 6                           | --- | --- | 900 | --- | ---  | ---  | ---  |
| K2500HD SILV/SIERRA     | 4x4        | Crew Cab | No         | 8.0 Box     | 6.0L V8       | 4800          | 6084        | 9200               | n/a                  | ---   | ---                         | ---              | 7169  | 6                           | --- | --- | 200 | 300 | 300  | 300  | 300  |
| K2500HD SILV/SIERRA     | 4x4        | Crew Cab | No         | 8.0 Box     | 8.1L V8       | 4800          | 6084        | 9200               | n/a                  | ---   | ---                         | ---              | 7169  | 6                           | --- | --- | 850 | --- | ---  | ---  | ---  |
| K2500HD SILV/SIERRA     | 4x4        | All      | No         | Chassis     | All           | All           | All         | 8501               | n/a                  | ---   | ---                         | ---              | 7169  | 6                           | --- | --- | ?   | ?   | ?    | ?    | ?    |

- Notes:
- Ballast amounts are based on a "Representative Vehicle," defined in the vehicle selection guide instructions, and must be modified for all other configurations for axle and GVWR compliance.
  - Requires bumper notching.

- All New Style Only (2nd # in model # is 5 not 0) example: K15903. Refer to label in glove box for model number.
- These Snowplows Are For Personal/Homeowner Use Only.

# 2005 General Motors

## Section 1

### Homesteader™, LD-Series & M-Series Snowplows



|   |                                 |          |
|---|---------------------------------|----------|
| Blade Length  | 6'-8"                           | 7'-4"    |
| Blade Assembly                                      | Personal                        | Personal |
| Blade Part Number                                   | 27547                           | 27549    |
| Common Attachment Kit / Headgear Kit                | 27550                           |          |
| Hydraulic Kit                                       | 27517                           |          |
| Common Light  | 8435                            |          |
| Choose Module                                       | DRLs: 29070,<br>Non-DRLs: 29060 |          |
| Choose a Hand-Held Control<br>or a Joystick Control | 9400                            |          |
|   | 8292                            |          |



|                              |               |                 |            |                 |            |
|------------------------------|---------------|-----------------|------------|-----------------|------------|
| 6'-9"<br>LD                  | 7'-1/2"<br>LD | 7'-1/2"<br>RD M | 8'<br>HD M | 8'-1/2"<br>HD M | 9'<br>HD M |
| 28069                        | 27775         | 27500           | 28000      | 28500           | 29000      |
| 27750-1                      |               | 27777           |            |                 |            |
| 9825-1                       |               | 9840-2          |            |                 |            |
| 28800                        |               |                 |            |                 |            |
| DRLs: 29070, Non-DRLs: 29060 |               |                 |            |                 |            |
| 9400                         |               |                 |            |                 |            |
| 8292                         |               |                 |            |                 |            |

| Model             | Body Style | DRW      | Box Option | Engine Type | Min F G A W R | Min R G A W R | Min G V W R | Peculiar Light Kit | Personal Plow system |       | Ballast Guidelines, lbs (1) | MM2 system       |       | Ballast Guidelines, lbs (1) |     |     |     |     |      |     |
|-------------------|------------|----------|------------|-------------|---------------|---------------|-------------|--------------------|----------------------|-------|-----------------------------|------------------|-------|-----------------------------|-----|-----|-----|-----|------|-----|
|                   |            |          |            |             |               |               |             |                    | Peculiar Att.Kit     | Notes |                             | Peculiar Att.Kit | Notes |                             |     |     |     |     |      |     |
| K3500 SILV/SIERRA | 4x4        | Reg Cab  | No         | 8.0 Box     | 6.0L V8       | 4800          | 6500        | 9900               | n/a                  | ---   | ---                         | ---              | 7169  | 6                           | --- | --- | --- | 200 | 250  | 250 |
| K3500 SILV/SIERRA | 4x4        | Reg Cab  | No         | 8.0 Box     | 6.6L D        | 4800          | 6500        | 9900               | n/a                  | ---   | ---                         | ---              | 7169  | 6                           | --- | --- | --- | 750 | 800  | 900 |
| K3500 SILV/SIERRA | 4x4        | Reg Cab  | No         | 8.0 Box     | 8.1L V8       | 4800          | 6500        | 9900               | n/a                  | ---   | ---                         | ---              | 7169  | 6                           | --- | --- | --- | 350 | 400  | 400 |
| K3500 SILV/SIERRA | 4x4        | Reg Cab  | Yes        | 8.0 Box     | 6.0L V8       | 4800          | 8550        | 11400              | n/a                  | ---   | ---                         | ---              | 7169  | 6                           | --- | --- | --- | --- | 150  | 150 |
| K3500 SILV/SIERRA | 4x4        | Reg Cab  | Yes        | 8.0 Box     | 6.6L D        | 4800          | 8550        | 11400              | n/a                  | ---   | ---                         | ---              | 7169  | 6                           | --- | --- | --- | --- | 1000 | --- |
| K3500 SILV/SIERRA | 4x4        | Reg Cab  | Yes        | 8.0 Box     | 8.1L V8       | 4800          | 8550        | 11400              | n/a                  | ---   | ---                         | ---              | 7169  | 6                           | --- | --- | --- | --- | 450  | 500 |
| K3500 SILV/SIERRA | 4x4        | Ext Cab  | No         | 8.0 Box     | 6.0L V8       | 4800          | 6500        | 9900               | n/a                  | ---   | ---                         | ---              | 7169  | 6                           | --- | --- | --- | 100 | 100  | 150 |
| K3500 SILV/SIERRA | 4x4        | Ext Cab  | Yes        | 8.0 Box     | 6.0L V8       | 4800          | 6500        | 9900               | n/a                  | ---   | ---                         | ---              | 7169  | 6                           | --- | --- | --- | --- | 50   | 50  |
| K3500 SILV/SIERRA | 4x4        | Crew Cab | No         | 8.0 Box     | 6.0L V8       | 4800          | 6500        | 9900               | n/a                  | ---   | ---                         | ---              | 7169  | 6                           | --- | --- | --- | 100 | 100  | 100 |
| K3500 SILV/SIERRA | 4x4        | Crew Cab | No         | 8.0 Box     | 8.1L V8       | 4800          | 6500        | 9900               | n/a                  | ---   | ---                         | ---              | 7169  | 6                           | --- | --- | --- | 900 | 1000 | --- |
| K3500 SILV/SIERRA | 4x4        | Crew Cab | Yes        | 8.0 Box     | 6.0L V8       | 4800          | 8550        | 11400              | n/a                  | ---   | ---                         | ---              | 7169  | 6                           | --- | --- | --- | --- | 50   | 150 |
| K3500 SILV/SIERRA | 4x4        | All      | No         | Chassis     | All           | All           | All         | 8501               | n/a                  | ---   | ---                         | ---              | 7169  | 6                           | --- | --- | --- | ?   | ?    | ?   |
| K3500 SILV/SIERRA | 4x4        | All      | Yes        | Chassis     | All           | All           | All         | 8501               | n/a                  | ---   | ---                         | ---              | 7169  | 6                           | --- | --- | --- | --- | ?    | ?   |
| C3500 SILV/SIERRA | 4x2        | Ext Cab  | Yes        | 8.0 Box     | 6.0L V8       | 4670          | 8550        | 11400              | n/a                  | ---   | ---                         | ---              | 7169  | 6                           | --- | --- | --- | --- | 0    | 0   |
| C3500 SILV/SIERRA | 4x2        | Ext Cab  | Yes        | 8.0 Box     | 8.1L V8       | 4670          | 8550        | 11400              | n/a                  | ---   | ---                         | ---              | 7169  | 6                           | --- | --- | --- | --- | 550  | 650 |
| C3500 SILV/SIERRA | 4x2        | Crew Cab | Yes        | 8.0 Box     | 6.0L V8       | 4670          | 8550        | 11400              | n/a                  | ---   | ---                         | ---              | 7169  | 6                           | --- | --- | --- | --- | 0    | 0   |
| C3500 SILV/SIERRA | 4x2        | All      | Yes        | Chassis     | All           | All           | All         | 10001              | n/a                  | ---   | ---                         | ---              | 7169  | 6                           | --- | --- | --- | --- | ?    | ?   |

- Notes:
- Ballast amounts are based on a "Representative Vehicle," defined in the vehicle selection guide instructions, and must be modified for all other configurations for axle and GVWR compliance.
  - All New Style Only (2nd # in model # is 5 not 0) example: K15903. Refer to label in glove box for model number.

# 2005 General Motors

## Section 2 XBLADE™ & MC-Series Snowplows



|  |                              |        |       |       |        |        |       |       |        |       |
|--|------------------------------|--------|-------|-------|--------|--------|-------|-------|--------|-------|
| Blade Length                                     | 7-1/2'                       | 7-1/2' | 8'    | 8'    | 8-1/2' | 8-1/2' | 9'    | 9'    | 9'     | 10'   |
| Blade Assembly                                   | X SS                         | X MS   | X SS  | X MS  | X SS   | X MS   | X SS  | X MS  | MC     | MC    |
| Blade Part Number                                | 27510                        | 27512  | 28100 | 28200 | 28510  | 28520  | 29100 | 29200 | 29250  | 29350 |
| Common Attachment Kit / Headgear Kit             | 28900                        | 27777  | 28900 | 27777 | 28900  | 27777  | 28900 | 27777 | 29999  |       |
| A-Frame Kit                                      | n/a                          |        |       |       |        |        |       |       | 28665  |       |
| Hydraulic Kit                                    | 9840-2                       |        |       |       |        |        |       |       | 9835-1 |       |
| Common Light                                     | 28800                        |        |       |       |        |        |       |       |        |       |
| Choose Module                                    | DRLs: 29070, Non-DRLs: 29060 |        |       |       |        |        |       |       |        |       |
| Choose a Hand-Held Control or a Joystick Control | 9400                         |        |       |       |        |        |       |       |        |       |
|  | 8292                         |        |       |       |        |        |       |       |        |       |

| Model               | Body Style | DRW      | Box Option | Engine Type | Min F G A W R | Min R G A W R | Min G V W R | Peculiar Light Kit | MM2 system        |       | Ballast Guidelines, lbs (1) |     |     |     |      |      |     |     |     |     |     |
|---------------------|------------|----------|------------|-------------|---------------|---------------|-------------|--------------------|-------------------|-------|-----------------------------|-----|-----|-----|------|------|-----|-----|-----|-----|-----|
|                     |            |          |            |             |               |               |             |                    | Peculiar Att.Kit  | Notes |                             |     |     |     |      |      |     |     |     |     |     |
| K2500HD SILV/SIERRA | 4x4        | Reg Cab  | No         | 8.0 Box     | 6.0L V8       | 4800          | 6084        | 9200               | HB3/HB4 use 29048 | 7169  | 6                           | 300 | 300 | 350 | 350  | 350  | 350 | 400 | 400 | --- | --- |
| K2500HD SILV/SIERRA | 4x4        | Reg Cab  | No         | 8.0 Box     | 6.0L V8       | 4500          | 6084        | 9200               |                   | 7169  | 6                           | 300 | 300 | 350 | 350  | 400  | 400 | 500 | 500 | --- | --- |
| K2500HD SILV/SIERRA | 4x4        | Reg Cab  | No         | 8.0 Box     | 6.6L D        | 4800          | 6084        | 9200               |                   | 7169  | 6                           | 950 | 950 | --- | ---  | ---  | --- | --- | --- | --- | --- |
| K2500HD SILV/SIERRA | 4x4        | Reg Cab  | No         | 8.0 Box     | 8.1L V8       | 4800          | 6084        | 9200               |                   | 7169  | 6                           | 400 | 400 | 550 | 550  | 700  | 700 | 800 | 800 | --- | --- |
| K2500HD SILV/SIERRA | 4x4        | Ext Cab  | No         | 6.5 Box     | 6.0L V8       | 4800          | 6084        | 9200               |                   | 7169  | 6                           | 450 | 450 | 500 | 500  | 500  | 500 | 550 | 550 | --- | --- |
| K2500HD SILV/SIERRA | 4x4        | Ext Cab  | No         | 6.5 Box     | 6.0L V8       | 4670          | 6084        | 9200               |                   | 7169  | 6                           | 450 | 450 | 500 | 500  | 500  | 500 | 550 | 550 | --- | --- |
| K2500HD SILV/SIERRA | 4x4        | Ext Cab  | No         | 6.5 Box     | 8.1L V8       | 4800          | 6084        | 9200               |                   | 7169  | 6                           | 900 | 900 | --- | ---  | ---  | --- | --- | --- | --- | --- |
| K2500HD SILV/SIERRA | 4x4        | Ext Cab  | No         | 8.0 Box     | 6.0L V8       | 4800          | 6084        | 9200               |                   | 7169  | 6                           | 350 | 350 | 400 | 400  | 450  | 450 | 450 | 450 | --- | --- |
| K2500HD SILV/SIERRA | 4x4        | Crew Cab | No         | 6.5 Box     | 6.0L V8       | 4800          | 6084        | 9200               |                   | 7169  | 6                           | 450 | 450 | 500 | 500  | 550  | 550 | 550 | 550 | --- | --- |
| K2500HD SILV/SIERRA | 4x4        | Crew Cab | No         | 8.0 Box     | 6.0L V8       | 4800          | 6084        | 9200               |                   | 7169  | 6                           | 300 | 300 | 350 | 350  | 350  | 350 | 500 | 500 | --- | --- |
| K2500HD SILV/SIERRA | 4x4        | All      | No         | Chassis     | All           | All           | All         | 8501               |                   | 7169  | 6                           | ?   | ?   | ?   | ?    | ?    | ?   | ?   | ?   | --- | --- |
| K3500 SILV/SIERRA   | 4x4        | Reg Cab  | No         | 8.0 Box     | 6.0L V8       | 4800          | 6500        | 9900               |                   | 7169  | 6                           | 250 | 250 | 300 | 300  | 300  | 300 | 350 | 350 | --- | --- |
| K3500 SILV/SIERRA   | 4x4        | Reg Cab  | No         | 8.0 Box     | 6.6L D        | 4800          | 6500        | 9900               |                   | 7169  | 6                           | 850 | 850 | --- | ---  | ---  | --- | --- | --- | --- | --- |
| K3500 SILV/SIERRA   | 4x4        | Reg Cab  | No         | 8.0 Box     | 8.1L V8       | 4800          | 6500        | 9900               |                   | 7169  | 6                           | 400 | 400 | 550 | 550  | 650  | 650 | 800 | 800 | --- | --- |
| K3500 SILV/SIERRA   | 4x4        | Reg Cab  | Yes        | 8.0 Box     | 6.0L V8       | 4800          | 8550        | 11400              |                   | 7169  | 6                           | --- | --- | --- | ---  | 200  | 200 | 250 | 250 | --- | --- |
| K3500 SILV/SIERRA   | 4x4        | Reg Cab  | Yes        | 8.0 Box     | 8.1L V8       | 4800          | 8550        | 11400              |                   | 7169  | 6                           | --- | --- | --- | ---  | 850  | 850 | 950 | 950 | --- | --- |
| K3500 SILV/SIERRA   | 4x4        | Ext Cab  | No         | 8.0 Box     | 6.0L V8       | 4800          | 6500        | 9900               |                   | 7169  | 6                           | 100 | 100 | 150 | 150  | 200  | 200 | 200 | 200 | --- | --- |
| K3500 SILV/SIERRA   | 4x4        | Ext Cab  | Yes        | 8.0 Box     | 6.0L V8       | 4800          | 6500        | 9900               |                   | 7169  | 6                           | --- | --- | --- | ---  | 100  | 100 | 150 | 150 | --- | --- |
| K3500 SILV/SIERRA   | 4x4        | Crew Cab | No         | 8.0 Box     | 6.0L V8       | 4800          | 6500        | 9900               |                   | 7169  | 6                           | 100 | 100 | 150 | 150  | 200  | 200 | 200 | 200 | --- | --- |
| K3500 SILV/SIERRA   | 4x4        | Crew Cab | Yes        | 8.0 Box     | 6.0L V8       | 4800          | 8550        | 11400              |                   | 7169  | 6                           | --- | --- | --- | ---  | 550  | 550 | 700 | 700 | --- | --- |
| K3500 SILV/SIERRA   | 4x4        | All      | No         | Chassis     | All           | All           | All         | 8501               | 7169              | 6     | ?                           | ?   | ?   | ?   | ?    | ?    | ?   | ?   | --- | --- |     |
| K3500 SILV/SIERRA   | 4x4        | All      | Yes        | Chassis     | All           | All           | All         | 8501               | 7169              | 6     | ---                         | --- | --- | --- | ?    | ?    | ?   | ?   | --- | --- |     |
| C3500 SILV/SIERRA   | 4x2        | Ext Cab  | Yes        | 8.0 Box     | 6.0L V8       | 4670          | 8550        | 11400              | 7169              | 6     | ---                         | --- | --- | --- | 50   | 50   | 50  | 50  | --- | --- |     |
| C3500 SILV/SIERRA   | 4x2        | Ext Cab  | Yes        | 8.0 Box     | 8.1L V8       | 4670          | 8550        | 11400              | 7169              | 6     | ---                         | --- | --- | --- | 1000 | 1000 | --- | --- | --- | --- |     |
| C3500 SILV/SIERRA   | 4x2        | Crew Cab | Yes        | 8.0 Box     | 6.0L V8       | 4670          | 8550        | 11400              | 7169              | 6     | ---                         | --- | --- | --- | 0    | 0    | 50  | 50  | --- | --- |     |
| C3500 SILV/SIERRA   | 4x2        | All      | Yes        | Chassis     | All           | All           | All         | 10001              | 7169              | 6     | ---                         | --- | --- | --- | ?    | ?    | ?   | ?   | --- | --- |     |
| C4500               | 4x4        | All      | Yes        | Chassis     | All           | All           | All         | 10001              | 7177              | 2,42  | ---                         | --- | --- | --- | ?    | ?    | ?   | ?   | ?   | --- |     |
| C4500               | 4x2        | All      | Yes        | Chassis     | All           | All           | All         | 10001              | 7171              | 2,41  | ---                         | --- | --- | --- | ?    | ?    | ?   | ?   | ?   | --- |     |
| C5500               | 4x4        | All      | Yes        | Chassis     | All           | All           | All         | 10001              | 7177              | 2,42  | ---                         | --- | --- | --- | ?    | ?    | ?   | ?   | ?   | --- |     |
| C5500               | 4x2        | All      | Yes        | Chassis     | All           | All           | All         | 10001              | 7171              | 2,41  | ---                         | --- | --- | --- | ?    | ?    | ?   | ?   | ?   | --- |     |

Notes:  
 1. Ballast amounts are based on a "Representative Vehicle," defined in the vehicle selection guide instructions, and must be modified for all other configurations for axle and GVWR compliance.  
 2. Recommended snowplow prep package whenever available.  
 6. All New Style Only (2nd # in model # is 5 not 0) example: K15903. Refer to label in glove box for model number.  
 41. 4X2.  
 42. 4X4.



# 2005 General Motors

## Section 3

### EZ-V® & XtremeV™ Snowplows



|  |                              |        |        |        |        |        |        |        |
|--|------------------------------|--------|--------|--------|--------|--------|--------|--------|
| Blade Length                                     | 7-1/2'                       | 7-1/2' | 8-1/2' | 8-1/2' | 9-1/2' | 9-1/2' | 8-1/2' | 9-1/2' |
| Blade Assembly                                   | XV SS                        | XV MS  | XV SS  | XV MS  | XV SS  | XV MS  | EZ-V®  | EZ-V®  |
| Blade Part Number                                | 44775                        | 44675  | 44785  | 44685  | 44795  | 44695  | 28885  | 28895  |
| Common Attachment Kit / Headgear Kit             | 44650                        | 44600  | 44650  | 44600  | 44650  | 44600  | 28888  |        |
| Hydraulic Kit                                    | n/a                          |        |        |        |        |        | 9828-4 |        |
| Common Light                                     | n/a                          |        |        |        |        |        | 28800  |        |
| Choose Module                                    | DRLs: 29070, Non-DRLs: 29060 |        |        |        |        |        |        |        |
| Choose a Hand-Held Control or a Joystick Control | 29600                        |        |        |        |        |        | 9800   |        |
|  | 29700                        |        |        |        |        |        | 9900   |        |

| Model               | Body Style | DRW      | Box Option | Engine Type | Min FAWR | Min RGAWR | Min GVWR | Peculiar Light Kit | MM2 system                      |       | Ballast Guidelines, lbs (1) |     |     |     |     |     |     |      |     |
|---------------------|------------|----------|------------|-------------|----------|-----------|----------|--------------------|---------------------------------|-------|-----------------------------|-----|-----|-----|-----|-----|-----|------|-----|
|                     |            |          |            |             |          |           |          |                    | Peculiar Att.Kit                | Notes | 7169                        | 6   | 350 | 350 | 350 | 350 | 500 | 500  | 300 |
| K2500HD SILV/SIERRA | 4x4        | Reg Cab  | No         | 8.0 Box     | 6.0L V8  | 4800      | 6084     | 9200               | HB3/HB4 use 29048               | 7169  | 6                           | 350 | 350 | 350 | 350 | 500 | 500 | 300  | 350 |
| K2500HD SILV/SIERRA | 4x4        | Reg Cab  | No         | 8.0 Box     | 6.0L V8  | 4500      | 6084     | 9200               |                                 | 7169  | 6                           | 350 | 350 | 500 | 500 | --- | --- | 300  | 450 |
| K2500HD SILV/SIERRA | 4x4        | Reg Cab  | No         | 8.0 Box     | 8.1L V8  | 4800      | 6084     | 9200               |                                 | 7169  | 6                           | 550 | 550 | 800 | 800 | --- | --- | 450  | 750 |
| K2500HD SILV/SIERRA | 4x4        | Ext Cab  | No         | 6.5 Box     | 6.0L V8  | 4800      | 6084     | 9200               |                                 | 7169  | 6                           | 450 | 450 | 500 | 500 | 650 | 650 | 450  | 500 |
| K2500HD SILV/SIERRA | 4x4        | Ext Cab  | No         | 6.5 Box     | 6.0L V8  | 4670      | 6084     | 9200               |                                 | 7169  | 6                           | 450 | 450 | 500 | 500 | --- | --- | 450  | 500 |
| K2500HD SILV/SIERRA | 4x4        | Ext Cab  | No         | 8.0 Box     | 6.0L V8  | 4800      | 6084     | 9200               |                                 | 7169  | 6                           | 400 | 400 | 450 | 450 | 750 | 750 | 350  | 400 |
| K2500HD SILV/SIERRA | 4x4        | Crew Cab | No         | 6.5 Box     | 6.0L V8  | 4800      | 6084     | 9200               |                                 | 7169  | 6                           | 500 | 500 | 600 | 600 | --- | --- | 450  | 550 |
| K2500HD SILV/SIERRA | 4x4        | Crew Cab | No         | 8.0 Box     | 6.0L V8  | 4800      | 6084     | 9200               |                                 | 7169  | 6                           | 300 | 300 | 500 | 500 | --- | --- | 300  | 450 |
| K2500HD SILV/SIERRA | 4x4        | All      | No         | Chassis     | All      | All       | All      | 8501               |                                 | 7169  | 6                           | ?   | ?   | ?   | ?   | ?   | ?   | ?    | ?   |
| K3500 SILV/SIERRA   | 4x4        | Reg Cab  | No         | 8.0 Box     | 6.0L V8  | 4800      | 6500     | 9900               |                                 | 7169  | 6                           | 250 | 250 | 300 | 300 | 400 | 400 | 250  | 300 |
| K3500 SILV/SIERRA   | 4x4        | Reg Cab  | No         | 8.0 Box     | 6.6L D   | 4800      | 6500     | 9900               |                                 | 7169  | 6                           | --- | --- | --- | --- | --- | --- | 1000 | --- |
| K3500 SILV/SIERRA   | 4x4        | Reg Cab  | No         | 8.0 Box     | 8.1L V8  | 4800      | 6500     | 9900               |                                 | 7169  | 6                           | 550 | 550 | 800 | 800 | --- | --- | 400  | 700 |
| K3500 SILV/SIERRA   | 4x4        | Reg Cab  | Yes        | 8.0 Box     | 6.0L V8  | 4800      | 8550     | 11400              |                                 | 7169  | 6                           | --- | --- | 200 | 200 | 300 | 300 | 150  | 200 |
| K3500 SILV/SIERRA   | 4x4        | Reg Cab  | Yes        | 8.0 Box     | 8.1L V8  | 4800      | 8550     | 11400              |                                 | 7169  | 6                           | --- | --- | 950 | 950 | --- | --- | 600  | 900 |
| K3500 SILV/SIERRA   | 4x4        | Ext Cab  | No         | 8.0 Box     | 6.0L V8  | 4800      | 6500     | 9900               |                                 | 7169  | 6                           | 150 | 150 | 250 | 250 | 950 | 950 | 150  | 200 |
| K3500 SILV/SIERRA   | 4x4        | Ext Cab  | Yes        | 8.0 Box     | 6.0L V8  | 4800      | 6500     | 9900               |                                 | 7169  | 6                           | --- | --- | 200 | 200 | 850 | 850 | 50   | 100 |
| K3500 SILV/SIERRA   | 4x4        | Crew Cab | No         | 8.0 Box     | 6.0L V8  | 4800      | 6500     | 9900               |                                 | 7169  | 6                           | 150 | 150 | 200 | 200 | 700 | 700 | 100  | 150 |
| K3500 SILV/SIERRA   | 4x4        | Crew Cab | Yes        | 8.0 Box     | 6.0L V8  | 4800      | 8550     | 11400              |                                 | 7169  | 6                           | --- | --- | 750 | 750 | --- | --- | 300  | 650 |
| K3500 SILV/SIERRA   | 4x4        | All      | No         | Chassis     | All      | All       | All      | 8501               |                                 | 7169  | 6                           | ?   | ?   | ?   | ?   | ?   | ?   | ?    | ?   |
| K3500 SILV/SIERRA   | 4x4        | All      | Yes        | Chassis     | All      | All       | All      | 8501               |                                 | 7169  | 6                           | --- | --- | ?   | ?   | ?   | ?   | ?    | ?   |
| C3500 SILV/SIERRA   | 4x2        | Ext Cab  | Yes        | 8.0 Box     | 6.0L V8  | 4670      | 8550     | 11400              |                                 | 7169  | 6                           | --- | --- | 50  | 50  | 350 | 350 | 0    | --- |
| C3500 SILV/SIERRA   | 4x2        | Ext Cab  | Yes        | 8.0 Box     | 8.1L V8  | 4670      | 8550     | 11400              |                                 | 7169  | 6                           | --- | --- | --- | --- | --- | --- | 800  | --- |
| C3500 SILV/SIERRA   | 4x2        | Crew Cab | Yes        | 8.0 Box     | 6.0L V8  | 4670      | 8550     | 11400              |                                 | 7169  | 6                           | --- | --- | 100 | 100 | 850 | 850 | 0    | --- |
| C3500 SILV/SIERRA   | 4x2        | All      | Yes        | Chassis     | All      | All       | All      | 10001              |                                 | 7169  | 6                           | --- | --- | ?   | ?   | ?   | ?   | ?    | --- |
| C4500               | 4x4        | All      | Yes        | Chassis     | All      | All       | All      | 10001              | 2B use 29053 or 1A/2A use 29053 | 7177  | 2,42                        | --- | --- | ?   | ?   | ?   | ?   | ---  | ?   |
| C4500               | 4x2        | All      | Yes        | Chassis     | All      | All       | All      | 10001              | 7171                            | 2,41  | ---                         | --- | ?   | ?   | ?   | ?   | ?   | ---  | ?   |
| C5500               | 4x4        | All      | Yes        | Chassis     | All      | All       | All      | 10001              | 7177                            | 2,42  | ---                         | --- | ?   | ?   | ?   | ?   | ?   | ---  | ?   |
| C5500               | 4x2        | All      | Yes        | Chassis     | All      | All       | All      | 10001              | 7171                            | 2,41  | ---                         | --- | ?   | ?   | ?   | ?   | ?   | ---  | ?   |

Notes:  
 1. Ballast amounts are based on a "Representative Vehicle," defined in the vehicle selection guide instructions, and must be modified for all other configurations for axle and GVWR compliance.  
 2. Recommended snowplow prep package whenever available.  
 6. All New Style Only (2nd # in model # is 5 not 0) example: K15903. Refer to label in glove box for model number.  
 41. 4X2.  
 42. 4X4.

# 2005 Ford

## Section 1

### Homesteader™, LD-Series & M-Series Snowplows



|   |                                 |          |
|---|---------------------------------|----------|
| Blade Length  | 6'-8"                           | 7'-4"    |
| Blade Assembly                                      | Personal                        | Personal |
| Blade Part Number                                   | 27547                           | 27549    |
| Common Attachment Kit / Headgear Kit                | 27550                           |          |
| Hydraulic Kit                                       | 27517                           |          |
| Common Light  | 8435                            |          |
| Choose Module                                       | DRLs: 29070,<br>Non-DRLs: 29060 |          |
| Choose a Hand-Held Control<br>or a Joystick Control | 9400                            |          |
|   | 8292                            |          |



|                              |               |                 |            |                |            |
|------------------------------|---------------|-----------------|------------|----------------|------------|
| 6'-9"<br>LD                  | 7'-1/2"<br>LD | 7'-1/2"<br>RD M | 8'<br>HD M | 8-1/2"<br>HD M | 9'<br>HD M |
| 28069                        | 27775         | 27500           | 28000      | 28500          | 29000      |
| 27750-1                      |               |                 | 27777      |                |            |
| 9825-1                       |               | 9840-2          |            |                |            |
| 28800                        |               |                 |            |                |            |
| DRLs: 29070, Non-DRLs: 29060 |               |                 |            |                |            |
| 9400                         |               |                 |            |                |            |
| 8292                         |               |                 |            |                |            |

| Model               | Body Style | DRW       | Box Option | Engine Type | Min F G A W R | Min R G A W R | Min G V W R | Peculiar Light Kit | Personal Plow system |       | Ballast Guidelines, lbs (1) | MM2 system       |       | Ballast Guidelines, lbs (1) |      |     |     |      |     |     |     |     |     |     |
|---------------------|------------|-----------|------------|-------------|---------------|---------------|-------------|--------------------|----------------------|-------|-----------------------------|------------------|-------|-----------------------------|------|-----|-----|------|-----|-----|-----|-----|-----|-----|
|                     |            |           |            |             |               |               |             |                    | Peculiar Att.Kit     | Notes |                             | Peculiar Att.Kit | Notes |                             |      |     |     |      |     |     |     |     |     |     |
| EXPLORER SPORT TRAC | 4x4        | ---       | No         | 4.0 Box     | 4.0L V6       | 2900          | 3200        | 5840               | HB5 use<br>29050     | 1203  | 8                           | 300              | 450   | n/a                         | ---  | --- | --- | ---  | --- | --- | --- | --- | --- |     |
| EXCURSION           | 4x4        | SU-4DR    | No         | ---         | 5.4L V8       | 4700          | 5250        | 8900               |                      | n/a   | ---                         | ---              | ---   | ---                         | 7173 | 7   | --- | ---  | 0   | --- | --- | --- | --- | --- |
| EXCURSION           | 4x4        | SU-4DR    | No         | ---         | 6.8L V10      | 4700          | 5250        | 8900               |                      | n/a   | ---                         | ---              | ---   | ---                         | 7173 | 7   | --- | ---  | 50  | --- | --- | --- | --- | --- |
| RANGER              | 4x4        | Reg Cab   | No         | 6.0 Box     | 3.0L V6       | 2710          | 2750        | 5040               |                      | 1203  | 8                           | 150              | 150   | n/a                         | ---  | --- | --- | ---  | --- | --- | --- | --- | --- | --- |
| RANGER              | 4x4        | Reg Cab   | No         | 6.0 Box     | 3.0L V6       | 2710          | 2550        | 4760               |                      | 1203  | 8                           | 150              | 150   | n/a                         | ---  | --- | --- | ---  | --- | --- | --- | --- | --- | --- |
| RANGER              | 4x4        | Reg Cab   | No         | 6.0 Box     | 3.0L V6       | 2510          | 2750        | 5040               |                      | 1203  | 8                           | 700              | 800   | n/a                         | ---  | --- | --- | ---  | --- | --- | --- | --- | --- | --- |
| RANGER              | 4x4        | Reg Cab   | No         | 7.0 Box     | 3.0L V6       | 2710          | 2750        | 5060               |                      | 1203  | 8                           | 100              | 150   | n/a                         | ---  | --- | --- | ---  | --- | --- | --- | --- | --- | --- |
| RANGER              | 4x4        | Reg Cab   | No         | 7.0 Box     | 3.0L V6       | 2710          | 2550        | 4840               |                      | 1203  | 8                           | 100              | 150   | n/a                         | ---  | --- | --- | ---  | --- | --- | --- | --- | --- | --- |
| RANGER              | 4x4        | Reg Cab   | No         | 7.0 Box     | 3.0L V6       | 2510          | 2750        | 5060               |                      | 1203  | 8                           | 700              | 750   | n/a                         | ---  | --- | --- | ---  | --- | --- | --- | --- | --- | --- |
| RANGER              | 4x4        | Super Cab | No         | 6.0 Box     | 4.0L V6       | 2900          | 2750        | 5440               |                      | 1203  | 8                           | 150              | 150   | n/a                         | ---  | --- | --- | ---  | --- | --- | --- | --- | --- | --- |
| RANGER              | 4x4        | Super Cab | No         | 6.0 Box     | 4.0L V6       | 2900          | 2750        | 5320               |                      | 1203  | 8                           | 150              | 150   | n/a                         | ---  | --- | --- | ---  | --- | --- | --- | --- | --- | --- |
| RANGER              | 4x4        | Super Cab | No         | 6.0 Box     | 4.0L V6       | 2900          | 2750        | 5180               |                      | 1203  | 8                           | 150              | 150   | n/a                         | ---  | --- | --- | ---  | --- | --- | --- | --- | --- | --- |
| RANGER              | 4x4        | Super Cab | No         | 6.0 Box     | 4.0L V6       | 2900          | 2600        | 5140               |                      | 1203  | 8                           | 150              | 150   | n/a                         | ---  | --- | --- | ---  | --- | --- | --- | --- | --- | --- |
| RANGER              | 4x4        | Super Cab | No         | 6.0 Box     | 4.0L V6       | 2900          | 2600        | 5000               |                      | 1203  | 8                           | 150              | 150   | n/a                         | ---  | --- | --- | ---  | --- | --- | --- | --- | --- | --- |
| RANGER              | 4x4        | Super Cab | No         | 6.0 Box     | 4.0L V6       | 2850          | 2750        | 5440               |                      | 1203  | 8                           | 150              | 150   | n/a                         | ---  | --- | --- | ---  | --- | --- | --- | --- | --- | --- |
| RANGER              | 4x4        | Super Cab | No         | 6.0 Box     | 4.0L V6       | 2850          | 2750        | 5320               |                      | 1203  | 8                           | 150              | 150   | n/a                         | ---  | --- | --- | ---  | --- | --- | --- | --- | --- | --- |
| RANGER              | 4x4        | Super Cab | No         | 6.0 Box     | 4.0L V6       | 2850          | 2750        | 5180               |                      | 1203  | 8                           | 150              | 150   | n/a                         | ---  | --- | --- | ---  | --- | --- | --- | --- | --- | --- |
| RANGER              | 4x4        | Super Cab | No         | 6.0 Box     | 4.0L V6       | 2850          | 2600        | 5140               |                      | 1203  | 8                           | 150              | 150   | n/a                         | ---  | --- | --- | ---  | --- | --- | --- | --- | --- | --- |
| RANGER              | 4x4        | Super Cab | No         | 6.0 Box     | 4.0L V6       | 2850          | 2600        | 5000               |                      | 1203  | 8                           | 150              | 150   | n/a                         | ---  | --- | --- | ---  | --- | --- | --- | --- | --- | --- |
| RANGER              | 4x4        | Super Cab | No         | 6.0 Box     | 4.0L V6       | 2710          | 2750        | 5320               |                      | 1203  | 8                           | 600              | 700   | n/a                         | ---  | --- | --- | ---  | --- | --- | --- | --- | --- | --- |
| RANGER              | 4x4        | Super Cab | No         | 6.0 Box     | 4.0L V6       | 2710          | 2750        | 5180               | 1203                 | 8     | 550                         | 650              | n/a   | ---                         | ---  | --- | --- | ---  | --- | --- | --- | --- | --- |     |
| RANGER              | 4x4        | Super Cab | No         | 6.0 Box     | 4.0L V6       | 2710          | 2600        | 5140               | 1203                 | 8     | 600                         | ---              | n/a   | ---                         | ---  | --- | --- | ---  | --- | --- | --- | --- | --- |     |
| RANGER              | 4x4        | Super Cab | No         | 6.0 Box     | 4.0L V6       | 2710          | 2600        | 5000               | 1203                 | 8     | 550                         | ---              | n/a   | ---                         | ---  | --- | --- | ---  | --- | --- | --- | --- | --- |     |
| F150                | 4x4        | Reg Cab   | No         | 6.5 Box     | 4.6L V8       | 3600          | 3500        | 6800               | HB5 use<br>29049     | 1233  | 8                           | ---              | 0     | 7174                        | 3    | --- | 800 | ---  | --- | --- | --- | --- | --- |     |
| F150                | 4x4        | Reg Cab   | No         | 6.5 Box     | 4.6L V8       | 3450          | 3500        | 6800               |                      | 1233  | 8                           | ---              | 150   | 7174                        | 3    | --- | --- | ---  | --- | --- | --- | --- | --- |     |
| F150                | 4x4        | Reg Cab   | No         | 6.5 Box     | 4.6L V8       | 3400          | 3500        | 6800               |                      | 1233  | 8                           | ---              | 350   | 7174                        | 3    | --- | --- | ---  | --- | --- | --- | --- | --- |     |
| F150                | 4x4        | Reg Cab   | No         | 6.5 Box     | 5.4L V8       | 3600          | 3500        | 6850               |                      | 1233  | 8                           | ---              | 0     | 7174                        | 3    | --- | --- | ---  | --- | --- | --- | --- | --- |     |
| F150                | 4x4        | Reg Cab   | No         | 6.5 Box     | 5.4L V8       | 3450          | 3500        | 6850               |                      | 1233  | 8                           | ---              | 400   | 7174                        | 3    | --- | --- | ---  | --- | --- | --- | --- | --- |     |
| F150                | 4x4        | Reg Cab   | No         | 6.5 Box     | 5.4L V8       | 3400          | 3500        | 6850               |                      | 1233  | 8                           | ---              | 600   | 7174                        | 3    | --- | --- | ---  | --- | --- | --- | --- | --- |     |
| F150                | 4x4        | Reg Cab   | No         | 8.0 Box     | 4.6L V8       | 3750          | 3800        | 6950               |                      | 1233  | 8                           | ---              | 50    | 7174                        | 3    | --- | 800 | ---  | --- | --- | --- | --- | --- |     |
| F150                | 4x4        | Reg Cab   | No         | 8.0 Box     | 4.6L V8       | 3600          | 3800        | 6950               |                      | 1233  | 8                           | ---              | 100   | 7174                        | 3    | --- | --- | ---  | --- | --- | --- | --- | --- |     |
| F150                | 4x4        | Reg Cab   | No         | 8.0 Box     | 4.6L V8       | 3450          | 3800        | 6950               |                      | 1233  | 8                           | ---              | 750   | 7174                        | 3    | --- | --- | ---  | --- | --- | --- | --- | --- |     |
| F150                | 4x4        | Reg Cab   | No         | 8.0 Box     | 5.4L V8       | 4300          | 4800        | 8200               |                      | 1233  | 8                           | ---              | 0     | 7174                        | 3    | --- | 150 | 300  | 550 | 650 | --- | --- | --- |     |
| F150                | 4x4        | Reg Cab   | No         | 8.0 Box     | 5.4L V8       | 4050          | 4800        | 8200               |                      | 1233  | 8                           | ---              | 0     | 7174                        | 3    | --- | 150 | 1000 | --- | --- | --- | --- | --- |     |
| F150                | 4x4        | Reg Cab   | No         | 8.0 Box     | 5.4L V8       | 3750          | 4800        | 8200               |                      | 1233  | 8                           | ---              | 100   | 7174                        | 3    | --- | --- | ---  | --- | --- | --- | --- | --- |     |
| F150                | 4x4        | Reg Cab   | No         | 8.0 Box     | 5.4L V8       | 3750          | 3850        | 6950               |                      | 1233  | 8                           | ---              | 50    | 7174                        | 3    | --- | --- | ---  | --- | --- | --- | --- | --- |     |
| F150                | 4x4        | Reg Cab   | No         | 8.0 Box     | 5.4L V8       | 3600          | 3850        | 6950               |                      | 1233  | 8                           | ---              | 400   | 7174                        | 3    | --- | --- | ---  | --- | --- | --- | --- | --- |     |

Notes:  
 1. Ballast amounts are based on a "Representative Vehicle," defined in the vehicle selection guide instructions, and must be modified for all other configurations for axle and GVWR compliance.  
 3. Requires bumper notching.

7. "EARLY" indicates a build date before 12-01-2003, "LATE" indicates a build date on or after 12-01-2003.  
 8. These Snowplows Are For Personal/Homeowner Use Only.

# 2005 Ford

## Section 1

### Homesteader™, LD-Series & M-Series Snowplows



|   |                                 |          |
|---|---------------------------------|----------|
| Blade Length  | 6'-8"                           | 7'-4"    |
| Blade Assembly                                      | Personal                        | Personal |
| Blade Part Number                                   | 27547                           | 27549    |
| Common Attachment Kit / Headgear Kit                | 27550                           |          |
| Hydraulic Kit                                       | 27517                           |          |
| Common Light  | 8435                            |          |
| Choose Module                                       | DRLs: 29070,<br>Non-DRLs: 29060 |          |
| Choose a Hand-Held Control<br>or a Joystick Control | 9400                            |          |
|   | 8292                            |          |



|                              |               |                 |            |                |            |
|------------------------------|---------------|-----------------|------------|----------------|------------|
| 6'-9"<br>LD                  | 7'-1/2"<br>LD | 7'-1/2"<br>RD M | 8'<br>HD M | 8-1/2'<br>HD M | 9'<br>HD M |
| 28069                        | 27775         | 27500           | 28000      | 28500          | 29000      |
| 27750-1                      |               |                 | 27777      |                |            |
| 9825-1                       |               | 9840-2          |            |                |            |
| 28800                        |               |                 |            |                |            |
| DRLs: 29070, Non-DRLs: 29060 |               |                 |            |                |            |
| 9400                         |               |                 |            |                |            |
| 8292                         |               |                 |            |                |            |

| Model           | Body Style | DRW       | Box Option | Engine Type | Min F G A W R | Min R G A W R | Min G V W R | Peculiar Light Kit | Personal Plow system |       | Ballast Guidelines, lbs (1) | MM2 system       |       | Ballast Guidelines, lbs (1) |     |     |     |      |     |     |
|-----------------|------------|-----------|------------|-------------|---------------|---------------|-------------|--------------------|----------------------|-------|-----------------------------|------------------|-------|-----------------------------|-----|-----|-----|------|-----|-----|
|                 |            |           |            |             |               |               |             |                    | Peculiar Att.Kit     | Notes |                             | Peculiar Att.Kit | Notes |                             |     |     |     |      |     |     |
| F150            | 4x4        | Super Cab | No         | 5.5 Box     | 4.6L V8       | 3750          | 3800        | 6900               | 1233                 | 8     | ---                         | 0                | 7174  | 3                           | --- | 650 | --- | ---  | --- | --- |
| F150            | 4x4        | Super Cab | No         | 5.5 Box     | 5.4L V8       | 3750          | 3850        | 7150               | 1233                 | 8     | ---                         | 0                | 7174  | 3                           | --- | --- | --- | ---  | --- | --- |
| F150            | 4x4        | Super Cab | No         | 5.5 Box     | 5.4L V8       | 3600          | 3850        | 7150               | 1233                 | 8     | ---                         | 400              | 7174  | 3                           | --- | --- | --- | ---  | --- | --- |
| F150            | 4x4        | Super Cab | No         | 6.5 Box     | 4.6L V8       | 3900          | 3800        | 6950               | 1233                 | 8     | ---                         | 0                | 7174  | 3                           | --- | 550 | --- | ---  | --- | --- |
| F150            | 4x4        | Super Cab | No         | 6.5 Box     | 4.6L V8       | 3750          | 3800        | 6950               | 1233                 | 8     | ---                         | 0                | 7174  | 3                           | --- | --- | --- | ---  | --- | --- |
| F150            | 4x4        | Super Cab | No         | 6.5 Box     | 4.6L V8       | 3600          | 3800        | 6950               | 1233                 | 8     | ---                         | 500              | 7174  | 3                           | --- | --- | --- | ---  | --- | --- |
| F150            | 4x4        | Super Cab | No         | 6.5 Box     | 5.4L V8       | 3900          | 3850        | 7200               | 1233                 | 8     | ---                         | 0                | 7174  | 3                           | --- | 800 | --- | ---  | --- | --- |
| F150            | 4x4        | Super Cab | No         | 6.5 Box     | 5.4L V8       | 3750          | 3850        | 7200               | 1233                 | 8     | ---                         | 150              | 7174  | 3                           | --- | --- | --- | ---  | --- | --- |
| F150            | 4x4        | Super Cab | No         | 8.0 Box     | 5.4L V8       | 4300          | 4800        | 8200               | 1233                 | 8     | ---                         | 0                | 7174  | 3                           | --- | 100 | 900 | ---  | --- | --- |
| F150            | 4x4        | Super Cab | No         | 8.0 Box     | 5.4L V8       | 4050          | 4800        | 8200               | 1233                 | 8     | ---                         | 0                | 7174  | 3                           | --- | --- | --- | ---  | --- | --- |
| F150            | 4x4        | SuperCrew | No         | 5.5 Box     | 4.6L V8       | 3750          | 3800        | 6900               | 1233                 | 8     | ---                         | 0                | 7174  | 3                           | --- | --- | --- | ---  | --- | --- |
| F150            | 4x4        | SuperCrew | No         | 5.5 Box     | 4.6L V8       | 3600          | 3800        | 6900               | 1233                 | 8     | ---                         | 400              | 7174  | 3                           | --- | --- | --- | ---  | --- | --- |
| F150            | 4x4        | SuperCrew | No         | 5.5 Box     | 5.4L V8       | 3900          | 3850        | 7200               | 1233                 | 8     | ---                         | 0                | 7174  | 3                           | --- | 750 | --- | ---  | --- | --- |
| F150            | 4x4        | SuperCrew | No         | 5.5 Box     | 5.4L V8       | 3750          | 3850        | 7200               | 1233                 | 8     | ---                         | 100              | 7174  | 3                           | --- | --- | --- | ---  | --- | --- |
| F150            | 4x4        | SuperCrew | No         | 5.5 Box     | 5.4L V8       | 3600          | 3850        | 7200               | 1233                 | 8     | ---                         | 700              | 7174  | 3                           | --- | --- | --- | ---  | --- | --- |
| F250 SUPER DUTY | 4x4        | Reg Cab   | No         | 8.0 Box     | 5.4L V8       | 5600          | 6100        | 9000               | n/a                  | ---   | ---                         | ---              | 7176  | 2,10                        | --- | --- | 350 | 450  | 500 | 500 |
| F250 SUPER DUTY | 4x4        | Reg Cab   | No         | 8.0 Box     | 5.4L V8       | 5200          | 6100        | 9000               | n/a                  | ---   | ---                         | ---              | 7176  | 2,10                        | --- | --- | 350 | 450  | 500 | 500 |
| F250 SUPER DUTY | 4x4        | Reg Cab   | No         | 8.0 Box     | 5.4L V8       | 4800          | 6100        | 9000               | n/a                  | ---   | ---                         | ---              | 7176  | 2,10                        | --- | --- | 350 | 650  | 700 | 800 |
| F250 SUPER DUTY | 4x4        | Reg Cab   | No         | 8.0 Box     | 6.0L D        | 6000          | 6100        | 9200               | n/a                  | ---   | ---                         | ---              | 7176  | 2,10                        | --- | --- | 550 | 650  | 650 | 650 |
| F250 SUPER DUTY | 4x4        | Reg Cab   | No         | 8.0 Box     | 6.0L D        | 5600          | 6100        | 9200               | n/a                  | ---   | ---                         | ---              | 7176  | 2,10                        | --- | --- | 550 | 650  | 650 | 650 |
| F250 SUPER DUTY | 4x4        | Reg Cab   | No         | 8.0 Box     | 6.0L D        | 5200          | 6100        | 9200               | n/a                  | ---   | ---                         | ---              | 7176  | 2,10                        | --- | --- | 550 | ---  | --- | --- |
| F250 SUPER DUTY | 4x4        | Reg Cab   | No         | 8.0 Box     | 6.8L V10      | 5600          | 6100        | 9200               | n/a                  | ---   | ---                         | ---              | 7176  | 2,10                        | --- | --- | 400 | 500  | 500 | 550 |
| F250 SUPER DUTY | 4x4        | Reg Cab   | No         | 8.0 Box     | 6.8L V10      | 5200          | 6100        | 9200               | n/a                  | ---   | ---                         | ---              | 7176  | 2,10                        | --- | --- | 400 | 500  | 500 | 550 |
| F250 SUPER DUTY | 4x4        | Reg Cab   | No         | 8.0 Box     | 6.8L V10      | 4800          | 6100        | 9200               | n/a                  | ---   | ---                         | ---              | 7176  | 2,10                        | --- | --- | 400 | 950  | --- | --- |
| F250 SUPER DUTY | 4x4        | Super Cab | No         | 6.8 Box     | 5.4L V8       | 5600          | 6100        | 9200               | n/a                  | ---   | ---                         | ---              | 7176  | 2,10                        | --- | --- | 300 | 450  | 450 | 450 |
| F250 SUPER DUTY | 4x4        | Super Cab | No         | 6.8 Box     | 5.4L V8       | 5200          | 6100        | 9200               | n/a                  | ---   | ---                         | ---              | 7176  | 2,10                        | --- | --- | 300 | 450  | 450 | 450 |
| F250 SUPER DUTY | 4x4        | Super Cab | No         | 6.8 Box     | 5.4L V8       | 4800          | 6100        | 9200               | n/a                  | ---   | ---                         | ---              | 7176  | 2,10                        | --- | --- | 400 | 1000 | --- | --- |
| F250 SUPER DUTY | 4x4        | Super Cab | No         | 6.8 Box     | 6.0L D        | 6000          | 6100        | 9800               | n/a                  | ---   | ---                         | ---              | 7176  | 2,10                        | --- | --- | 500 | 600  | 600 | 650 |
| F250 SUPER DUTY | 4x4        | Super Cab | No         | 6.8 Box     | 6.0L D        | 5600          | 6100        | 9800               | n/a                  | ---   | ---                         | ---              | 7176  | 2,10                        | --- | --- | 500 | 600  | 600 | 650 |
| F250 SUPER DUTY | 4x4        | Super Cab | No         | 6.8 Box     | 6.0L D        | 5200          | 6100        | 9800               | n/a                  | ---   | ---                         | ---              | 7176  | 2,10                        | --- | --- | 900 | ---  | --- | --- |
| F250 SUPER DUTY | 4x4        | Super Cab | No         | 6.8 Box     | 6.8L V10      | 5600          | 6100        | 9400               | n/a                  | ---   | ---                         | ---              | 7176  | 2,10                        | --- | --- | 350 | 450  | 500 | 500 |
| F250 SUPER DUTY | 4x4        | Super Cab | No         | 6.8 Box     | 6.8L V10      | 5200          | 6100        | 9400               | n/a                  | ---   | ---                         | ---              | 7176  | 2,10                        | --- | --- | 350 | 450  | 500 | 500 |
| F250 SUPER DUTY | 4x4        | Super Cab | No         | 6.8 Box     | 6.8L V10      | 4800          | 6100        | 9400               | n/a                  | ---   | ---                         | ---              | 7176  | 2,10                        | --- | --- | 700 | ---  | --- | --- |
| F250 SUPER DUTY | 4x4        | Super Cab | No         | 8.0 Box     | 5.4L V8       | 5600          | 6100        | 9400               | n/a                  | ---   | ---                         | ---              | 7176  | 2,10                        | --- | --- | 350 | 450  | 450 | 450 |
| F250 SUPER DUTY | 4x4        | Super Cab | No         | 8.0 Box     | 5.4L V8       | 5200          | 6100        | 9400               | n/a                  | ---   | ---                         | ---              | 7176  | 2,10                        | --- | --- | 350 | 450  | 450 | 450 |
| F250 SUPER DUTY | 4x4        | Super Cab | No         | 8.0 Box     | 5.4L V8       | 4800          | 6100        | 9400               | n/a                  | ---   | ---                         | ---              | 7176  | 2,10                        | --- | --- | 850 | ---  | --- | --- |

- Notes:
- Ballast amounts are based on a "Representative Vehicle," defined in the vehicle selection guide instructions, and must be modified for all other configurations for axle and GVWR compliance.
  - Recommended snowplow prep package whenever available.
  - Requires bumper notching.
  - These Snowplows Are For Personal/Homeowner Use Only.
  - May require bumper or air dam notching.

# 2005 Ford

## Section 1

### Homesteader™, LD-Series & M-Series Snowplows



|   |                                 |          |
|---|---------------------------------|----------|
| Blade Length  | 6'-8"                           | 7'-4"    |
| Blade Assembly                                      | Personal                        | Personal |
| Blade Part Number                                   | 27547                           | 27549    |
| Common Attachment Kit / Headgear Kit                | 27550                           |          |
| Hydraulic Kit                                       | 27517                           |          |
| Common Light  | 8435                            |          |
| Choose Module                                       | DRLs: 29070,<br>Non-DRLs: 29060 |          |
| Choose a Hand-Held Control<br>or a Joystick Control | 9400<br>8292                    |          |



|                              |               |                 |            |                 |            |
|------------------------------|---------------|-----------------|------------|-----------------|------------|
| 6'-9"<br>LD                  | 7'-1/2"<br>LD | 7'-1/2"<br>RD M | 8'<br>HD M | 8'-1/2"<br>HD M | 9'<br>HD M |
| 28069                        | 27775         | 27500           | 28000      | 28500           | 29000      |
| 27750-1                      |               | 27777           |            |                 |            |
| 9825-1                       |               | 9840-2          |            |                 |            |
| 28800                        |               |                 |            |                 |            |
| DRLs: 29070, Non-DRLs: 29060 |               |                 |            |                 |            |
| 9400                         |               |                 |            |                 |            |
| 8292                         |               |                 |            |                 |            |

| Model           | Body Style | DRW       | Box Option | Engine Type | Min F G A W R | Min R G A W R | Min G V W R | Peculiar Light Kit | Personal Plow system |       | Ballast Guidelines, lbs (1) | MM2 system       |       | Ballast Guidelines, lbs (1) |     |     |     |      |     |      |
|-----------------|------------|-----------|------------|-------------|---------------|---------------|-------------|--------------------|----------------------|-------|-----------------------------|------------------|-------|-----------------------------|-----|-----|-----|------|-----|------|
|                 |            |           |            |             |               |               |             |                    | Peculiar Att.Kit     | Notes |                             | Peculiar Att.Kit | Notes |                             |     |     |     |      |     |      |
| F250 SUPER DUTY | 4x4        | Super Cab | No         | 8.0 Box     | 6.0L D        | 6000          | 6100        | 10000              | n/a                  | ---   | ---                         | ---              | 7176  | 2,10                        | --- | --- | 500 | 600  | 650 | 650  |
| F250 SUPER DUTY | 4x4        | Super Cab | No         | 8.0 Box     | 6.0L D        | 5600          | 6100        | 10000              | n/a                  | ---   | ---                         | ---              | 7176  | 2,10                        | --- | --- | 500 | 600  | 650 | 650  |
| F250 SUPER DUTY | 4x4        | Super Cab | No         | 8.0 Box     | 6.8L V10      | 5600          | 6100        | 9600               | n/a                  | ---   | ---                         | ---              | 7176  | 2,10                        | --- | --- | 350 | 450  | 500 | 500  |
| F250 SUPER DUTY | 4x4        | Super Cab | No         | 8.0 Box     | 6.8L V10      | 5200          | 6100        | 9600               | n/a                  | ---   | ---                         | ---              | 7176  | 2,10                        | --- | --- | 350 | 450  | 500 | 500  |
| F250 SUPER DUTY | 4x4        | Crew Cab  | No         | 6.8 Box     | 5.4L V8       | 5600          | 6100        | 9400               | n/a                  | ---   | ---                         | ---              | 7176  | 2,10                        | --- | --- | 300 | 400  | 400 | 400  |
| F250 SUPER DUTY | 4x4        | Crew Cab  | No         | 6.8 Box     | 5.4L V8       | 5200          | 6100        | 9400               | n/a                  | ---   | ---                         | ---              | 7176  | 2,10                        | --- | --- | 300 | 400  | 400 | 400  |
| F250 SUPER DUTY | 4x4        | Crew Cab  | No         | 6.8 Box     | 5.4L V8       | 4800          | 6100        | 9400               | n/a                  | ---   | ---                         | ---              | 7176  | 2,10                        | --- | --- | 950 | ---  | --- | ---  |
| F250 SUPER DUTY | 4x4        | Crew Cab  | No         | 6.8 Box     | 6.0L D        | 6000          | 6100        | 10000              | n/a                  | ---   | ---                         | ---              | 7176  | 2,10                        | --- | --- | 500 | 600  | 600 | 600  |
| F250 SUPER DUTY | 4x4        | Crew Cab  | No         | 6.8 Box     | 6.0L D        | 5600          | 6100        | 10000              | n/a                  | ---   | ---                         | ---              | 7176  | 2,10                        | --- | --- | 500 | 600  | 600 | 600  |
| F250 SUPER DUTY | 4x4        | Crew Cab  | No         | 6.8 Box     | 6.8L V10      | 5600          | 6100        | 9600               | n/a                  | ---   | ---                         | ---              | 7176  | 2,10                        | --- | --- | 300 | 400  | 450 | 450  |
| F250 SUPER DUTY | 4x4        | Crew Cab  | No         | 6.8 Box     | 6.8L V10      | 5200          | 6100        | 9600               | n/a                  | ---   | ---                         | ---              | 7176  | 2,10                        | --- | --- | 300 | 400  | 450 | 450  |
| F250 SUPER DUTY | 4x4        | Crew Cab  | No         | 8.0 Box     | 5.4L V8       | 5600          | 6100        | 9600               | n/a                  | ---   | ---                         | ---              | 7176  | 2,10                        | --- | --- | 300 | 400  | 400 | 450  |
| F250 SUPER DUTY | 4x4        | Crew Cab  | No         | 8.0 Box     | 5.4L V8       | 5200          | 6100        | 9600               | n/a                  | ---   | ---                         | ---              | 7176  | 2,10                        | --- | --- | 300 | 400  | 400 | 450  |
| F250 SUPER DUTY | 4x4        | Crew Cab  | No         | 8.0 Box     | 6.8L V10      | 6000          | 6100        | 10000              | n/a                  | ---   | ---                         | ---              | 7176  | 2,10                        | --- | --- | 500 | 600  | 600 | 600  |
| F250 SUPER DUTY | 4x4        | Crew Cab  | No         | 8.0 Box     | 6.8L V10      | 5600          | 6100        | 9800               | n/a                  | ---   | ---                         | ---              | 7176  | 2,10                        | --- | --- | 350 | 450  | 450 | 450  |
| F250 SUPER DUTY | 4x4        | Crew Cab  | No         | 8.0 Box     | 6.8L V10      | 5600          | 6100        | 10000              | n/a                  | ---   | ---                         | ---              | 7176  | 2,10                        | --- | --- | 500 | 800  | 900 | 1000 |
| F250 SUPER DUTY | 4x4        | Crew Cab  | No         | 8.0 Box     | 6.8L V10      | 5200          | 6100        | 9800               | n/a                  | ---   | ---                         | ---              | 7176  | 2,10                        | --- | --- | 350 | 550  | 650 | 750  |
| F250 SUPER DUTY | 4x4        | All       | No         | Chassis     | All           | All           | All         | 8501               | n/a                  | ---   | ---                         | ---              | 7176  | 2,10                        | --- | --- | ?   | ?    | ?   | ?    |
| F350 SUPER DUTY | 4x4        | Reg Cab   | No         | 8.0 Box     | 5.4L V8       | 5600          | 7000        | 10500              | n/a                  | ---   | ---                         | ---              | 7176  | 2,10                        | --- | --- | --- | 450  | 450 | 450  |
| F350 SUPER DUTY | 4x4        | Reg Cab   | No         | 8.0 Box     | 5.4L V8       | 5200          | 7000        | 10500              | n/a                  | ---   | ---                         | ---              | 7176  | 2,10                        | --- | --- | --- | 450  | 450 | 450  |
| F350 SUPER DUTY | 4x4        | Reg Cab   | No         | 8.0 Box     | 5.4L V8       | 4800          | 7000        | 10500              | n/a                  | ---   | ---                         | ---              | 7176  | 2,10                        | --- | --- | --- | 650  | 750 | 850  |
| F350 SUPER DUTY | 4x4        | Reg Cab   | No         | 8.0 Box     | 6.0L D        | 6000          | 7000        | 11000              | n/a                  | ---   | ---                         | ---              | 7176  | 2,10                        | --- | --- | --- | 600  | 650 | 650  |
| F350 SUPER DUTY | 4x4        | Reg Cab   | No         | 8.0 Box     | 6.0L D        | 5600          | 7000        | 11000              | n/a                  | ---   | ---                         | ---              | 7176  | 2,10                        | --- | --- | --- | 600  | 650 | 650  |
| F350 SUPER DUTY | 4x4        | Reg Cab   | No         | 8.0 Box     | 6.8L V10      | 5600          | 7000        | 10700              | n/a                  | ---   | ---                         | ---              | 7176  | 2,10                        | --- | --- | --- | 500  | 500 | 500  |
| F350 SUPER DUTY | 4x4        | Reg Cab   | No         | 8.0 Box     | 6.8L V10      | 5200          | 7000        | 10700              | n/a                  | ---   | ---                         | ---              | 7176  | 2,10                        | --- | --- | --- | 500  | 500 | 500  |
| F350 SUPER DUTY | 4x4        | Reg Cab   | No         | 8.0 Box     | 6.8L V10      | 4800          | 7000        | 10700              | n/a                  | ---   | ---                         | ---              | 7176  | 2,10                        | --- | --- | --- | 1000 | --- | ---  |
| F350 SUPER DUTY | 4x4        | Reg Cab   | Yes        | 8.0 Box     | 5.4L V8       | 5600          | 9000        | 12000              | n/a                  | ---   | ---                         | ---              | 7176  | 2,10                        | --- | --- | --- | ---  | 300 | 300  |
| F350 SUPER DUTY | 4x4        | Reg Cab   | Yes        | 8.0 Box     | 5.4L V8       | 5200          | 9000        | 12000              | n/a                  | ---   | ---                         | ---              | 7176  | 2,10                        | --- | --- | --- | ---  | 300 | 300  |
| F350 SUPER DUTY | 4x4        | Reg Cab   | Yes        | 8.0 Box     | 5.4L V8       | 4800          | 9000        | 12000              | n/a                  | ---   | ---                         | ---              | 7176  | 2,10                        | --- | --- | --- | ---  | 850 | 950  |
| F350 SUPER DUTY | 4x4        | Reg Cab   | Yes        | 8.0 Box     | 6.0L D        | 6000          | 9000        | 12600              | n/a                  | ---   | ---                         | ---              | 7176  | 2,10                        | --- | --- | --- | ---  | 450 | 500  |
| F350 SUPER DUTY | 4x4        | Reg Cab   | Yes        | 8.0 Box     | 6.0L D        | 5600          | 9000        | 12600              | n/a                  | ---   | ---                         | ---              | 7176  | 2,10                        | --- | --- | --- | ---  | 450 | 500  |
| F350 SUPER DUTY | 4x4        | Reg Cab   | Yes        | 8.0 Box     | 6.8L V10      | 5600          | 9000        | 12200              | n/a                  | ---   | ---                         | ---              | 7176  | 2,10                        | --- | --- | --- | ---  | 300 | 350  |
| F350 SUPER DUTY | 4x4        | Reg Cab   | Yes        | 8.0 Box     | 6.8L V10      | 5200          | 9000        | 12200              | n/a                  | ---   | ---                         | ---              | 7176  | 2,10                        | --- | --- | --- | ---  | 300 | 350  |
| F350 SUPER DUTY | 4x4        | Super Cab | No         | 6.8 Box     | 5.4L V8       | 5600          | 7000        | 10600              | n/a                  | ---   | ---                         | ---              | 7176  | 2,10                        | --- | --- | --- | 400  | 400 | 450  |
| F350 SUPER DUTY | 4x4        | Super Cab | No         | 6.8 Box     | 5.4L V8       | 5200          | 7000        | 10600              | n/a                  | ---   | ---                         | ---              | 7176  | 2,10                        | --- | --- | --- | 400  | 400 | 450  |
| F350 SUPER DUTY | 4x4        | Super Cab | No         | 6.8 Box     | 5.4L V8       | 4800          | 7000        | 10600              | n/a                  | ---   | ---                         | ---              | 7176  | 2,10                        | --- | --- | --- | 1000 | --- | ---  |

H13 use 29049 or 2B use 29051

- Notes:**
- Ballast amounts are based on a "Representative Vehicle," defined in the vehicle selection guide instructions, and must be modified for all other configurations for axle and GVWR compliance.
  - Recommended snowplow prep package whenever available.
  - May require bumper or air dam notching.

# 2005 Ford

## Section 1

### Homesteader™, LD-Series & M-Series Snowplows



|   |                                 |          |
|---|---------------------------------|----------|
| Blade Length  | 6'-8"                           | 7'-4"    |
| Blade Assembly                                      | Personal                        | Personal |
| Blade Part Number                                   | 27547                           | 27549    |
| Common Attachment Kit / Headgear Kit                | 27550                           |          |
| Hydraulic Kit                                       | 27517                           |          |
| Common Light  | 8435                            |          |
| Choose Module                                       | DRLs: 29070,<br>Non-DRLs: 29060 |          |
| Choose a Hand-Held Control<br>or a Joystick Control | 9400<br>8292                    |          |



|                              |               |                 |            |                 |            |
|------------------------------|---------------|-----------------|------------|-----------------|------------|
| 6'-9"<br>LD                  | 7'-1/2"<br>LD | 7'-1/2"<br>RD M | 8'<br>HD M | 8'-1/2"<br>HD M | 9'<br>HD M |
| 28069                        | 27775         | 27500           | 28000      | 28500           | 29000      |
| 27750-1                      |               |                 | 27777      |                 |            |
| 9825-1                       |               | 9840-2          |            |                 |            |
| 28800                        |               |                 |            |                 |            |
| DRLs: 29070, Non-DRLs: 29060 |               |                 |            |                 |            |
| 9400                         |               |                 |            |                 |            |
| 8292                         |               |                 |            |                 |            |

| Model           | Body Style | DRW       | Box Option | Engine Type | Min F G A W R | Min R G A W R | Min G V W R | Peculiar Light Kit | Personal Plow system |       | Ballast Guidelines, lbs (1) | MM2 system        |       | Ballast Guidelines, lbs (1) |     |     |     |     |     |     |     |
|-----------------|------------|-----------|------------|-------------|---------------|---------------|-------------|--------------------|----------------------|-------|-----------------------------|-------------------|-------|-----------------------------|-----|-----|-----|-----|-----|-----|-----|
|                 |            |           |            |             |               |               |             |                    | Peculiar Att. Kit    | Notes |                             | Peculiar Att. Kit | Notes |                             |     |     |     |     |     |     |     |
| F350 SUPER DUTY | 4x4        | Super Cab | No         | 6.8 Box     | 6.0L D        | 6000          | 7000        | 11200              | n/a                  | ---   | ---                         | ---               | 7176  | 2,10                        | --- | --- | --- | --- | 600 | 600 | 600 |
| F350 SUPER DUTY | 4x4        | Super Cab | No         | 6.8 Box     | 6.0L D        | 5600          | 7000        | 11200              | n/a                  | ---   | ---                         | ---               | 7176  | 2,10                        | --- | --- | --- | --- | 600 | 600 | 600 |
| F350 SUPER DUTY | 4x4        | Super Cab | No         | 6.8 Box     | 6.8L V10      | 5600          | 7000        | 10800              | n/a                  | ---   | ---                         | ---               | 7176  | 2,10                        | --- | --- | --- | --- | 450 | 450 | 450 |
| F350 SUPER DUTY | 4x4        | Super Cab | No         | 6.8 Box     | 6.8L V10      | 5200          | 7000        | 10800              | n/a                  | ---   | ---                         | ---               | 7176  | 2,10                        | --- | --- | --- | --- | 450 | 450 | 450 |
| F350 SUPER DUTY | 4x4        | Super Cab | No         | 8.0 Box     | 5.4L V8       | 5600          | 7000        | 10800              | n/a                  | ---   | ---                         | ---               | 7176  | 2,10                        | --- | --- | --- | --- | 400 | 400 | 450 |
| F350 SUPER DUTY | 4x4        | Super Cab | No         | 8.0 Box     | 5.4L V8       | 5200          | 7000        | 10800              | n/a                  | ---   | ---                         | ---               | 7176  | 2,10                        | --- | --- | --- | --- | 400 | 400 | 450 |
| F350 SUPER DUTY | 4x4        | Super Cab | No         | 8.0 Box     | 6.0L D        | 6000          | 7000        | 11400              | n/a                  | ---   | ---                         | ---               | 7176  | 2,10                        | --- | --- | --- | --- | 600 | 600 | 600 |
| F350 SUPER DUTY | 4x4        | Super Cab | No         | 8.0 Box     | 6.0L D        | 5600          | 7000        | 11400              | n/a                  | ---   | ---                         | ---               | 7176  | 2,10                        | --- | --- | --- | --- | 600 | 600 | 600 |
| F350 SUPER DUTY | 4x4        | Super Cab | No         | 8.0 Box     | 6.8L V10      | 5600          | 7000        | 11000              | n/a                  | ---   | ---                         | ---               | 7176  | 2,10                        | --- | --- | --- | --- | 450 | 450 | 450 |
| F350 SUPER DUTY | 4x4        | Super Cab | No         | 8.0 Box     | 6.8L V10      | 5200          | 7000        | 11000              | n/a                  | ---   | ---                         | ---               | 7176  | 2,10                        | --- | --- | --- | --- | 450 | 450 | 450 |
| F350 SUPER DUTY | 4x4        | Super Cab | Yes        | 8.0 Box     | 5.4L V8       | 5600          | 9000        | 12400              | n/a                  | ---   | ---                         | ---               | 7176  | 2,10                        | --- | --- | --- | --- | 250 | 250 |     |
| F350 SUPER DUTY | 4x4        | Super Cab | Yes        | 8.0 Box     | 5.4L V8       | 5200          | 9000        | 12400              | n/a                  | ---   | ---                         | ---               | 7176  | 2,10                        | --- | --- | --- | --- | 250 | 250 |     |
| F350 SUPER DUTY | 4x4        | Super Cab | Yes        | 8.0 Box     | 6.0L D        | 6000          | 9000        | 13000              | n/a                  | ---   | ---                         | ---               | 7176  | 2,10                        | --- | --- | --- | --- | 450 | 450 | 450 |
| F350 SUPER DUTY | 4x4        | Super Cab | Yes        | 8.0 Box     | 6.0L D        | 5600          | 9000        | 13000              | n/a                  | ---   | ---                         | ---               | 7176  | 2,10                        | --- | --- | --- | --- | 450 | 550 |     |
| F350 SUPER DUTY | 4x4        | Super Cab | Yes        | 8.0 Box     | 6.8L V10      | 6000          | 9000        | 12600              | n/a                  | ---   | ---                         | ---               | 7176  | 2,10                        | --- | --- | --- | --- | 300 | 300 |     |
| F350 SUPER DUTY | 4x4        | Super Cab | Yes        | 8.0 Box     | 6.8L V10      | 5600          | 9000        | 12600              | n/a                  | ---   | ---                         | ---               | 7176  | 2,10                        | --- | --- | --- | --- | 300 | 300 |     |
| F350 SUPER DUTY | 4x4        | Super Cab | Yes        | 8.0 Box     | 6.8L V10      | 5200          | 9000        | 12600              | n/a                  | ---   | ---                         | ---               | 7176  | 2,10                        | --- | --- | --- | --- | 300 | 350 |     |
| F350 SUPER DUTY | 4x4        | Crew Cab  | No         | 6.8 Box     | 5.4L V8       | 5600          | 7000        | 10800              | n/a                  | ---   | ---                         | ---               | 7176  | 2,10                        | --- | --- | --- | --- | 350 | 400 | 400 |
| F350 SUPER DUTY | 4x4        | Crew Cab  | No         | 6.8 Box     | 5.4L V8       | 5200          | 7000        | 10800              | n/a                  | ---   | ---                         | ---               | 7176  | 2,10                        | --- | --- | --- | --- | 350 | 400 | 400 |
| F350 SUPER DUTY | 4x4        | Crew Cab  | No         | 6.8 Box     | 6.0L D        | 6000          | 7000        | 11400              | n/a                  | ---   | ---                         | ---               | 7176  | 2,10                        | --- | --- | --- | --- | 550 | 550 | 600 |
| F350 SUPER DUTY | 4x4        | Crew Cab  | No         | 6.8 Box     | 6.0L D        | 5600          | 7000        | 11400              | n/a                  | ---   | ---                         | ---               | 7176  | 2,10                        | --- | --- | --- | --- | 550 | 550 | 600 |
| F350 SUPER DUTY | 4x4        | Crew Cab  | No         | 6.8 Box     | 6.8L V10      | 5600          | 7000        | 11000              | n/a                  | ---   | ---                         | ---               | 7176  | 2,10                        | --- | --- | --- | --- | 400 | 400 | 450 |
| F350 SUPER DUTY | 4x4        | Crew Cab  | No         | 6.8 Box     | 6.8L V10      | 5200          | 7000        | 11000              | n/a                  | ---   | ---                         | ---               | 7176  | 2,10                        | --- | --- | --- | --- | 400 | 400 | 450 |
| F350 SUPER DUTY | 4x4        | Crew Cab  | No         | 8.0 Box     | 5.4L V8       | 6000          | 7000        | 11000              | n/a                  | ---   | ---                         | ---               | 7176  | 2,10                        | --- | --- | --- | --- | 400 | 400 | 400 |
| F350 SUPER DUTY | 4x4        | Crew Cab  | No         | 8.0 Box     | 5.4L V8       | 5200          | 7000        | 11000              | n/a                  | ---   | ---                         | ---               | 7176  | 2,10                        | --- | --- | --- | --- | 400 | 400 | 400 |
| F350 SUPER DUTY | 4x4        | Crew Cab  | No         | 8.0 Box     | 6.0L D        | 6000          | 7000        | 11500              | n/a                  | ---   | ---                         | ---               | 7176  | 2,10                        | --- | --- | --- | --- | 550 | 600 | 600 |
| F350 SUPER DUTY | 4x4        | Crew Cab  | No         | 8.0 Box     | 6.0L D        | 5600          | 7000        | 11500              | n/a                  | ---   | ---                         | ---               | 7176  | 2,10                        | --- | --- | --- | --- | 850 | 950 | --- |
| F350 SUPER DUTY | 4x4        | Crew Cab  | No         | 8.0 Box     | 6.8L V10      | 6000          | 7000        | 11200              | n/a                  | ---   | ---                         | ---               | 7176  | 2,10                        | --- | --- | --- | --- | 400 | 450 | 450 |
| F350 SUPER DUTY | 4x4        | Crew Cab  | No         | 8.0 Box     | 6.8L V10      | 5600          | 7000        | 11200              | n/a                  | ---   | ---                         | ---               | 7176  | 2,10                        | --- | --- | --- | --- | 400 | 450 | 450 |
| F350 SUPER DUTY | 4x4        | Crew Cab  | No         | 8.0 Box     | 6.8L V10      | 5200          | 7000        | 11200              | n/a                  | ---   | ---                         | ---               | 7176  | 2,10                        | --- | --- | --- | --- | 600 | 700 | 800 |
| F350 SUPER DUTY | 4x4        | Crew Cab  | Yes        | 6.8 Box     | 6.0L D        | 6000          | 9000        | 13000              | n/a                  | ---   | ---                         | ---               | 7176  | 2,10                        | --- | --- | --- | --- | 400 | 400 | 400 |
| F350 SUPER DUTY | 4x4        | Crew Cab  | Yes        | 6.8 Box     | 6.0L D        | 5600          | 9000        | 13000              | n/a                  | ---   | ---                         | ---               | 7176  | 2,10                        | --- | --- | --- | --- | 550 | 650 |     |
| F350 SUPER DUTY | 4x4        | Crew Cab  | Yes        | 6.8 Box     | 6.8L V10      | 5600          | 9000        | 12600              | n/a                  | ---   | ---                         | ---               | 7176  | 2,10                        | --- | --- | --- | --- | 250 | 250 |     |
| F350 SUPER DUTY | 4x4        | Crew Cab  | Yes        | 6.8 Box     | 6.8L V10      | 5200          | 9000        | 12600              | n/a                  | ---   | ---                         | ---               | 7176  | 2,10                        | --- | --- | --- | --- | 350 | 450 |     |

- Notes:**
1. Ballast amounts are based on a "Representative Vehicle," defined in the vehicle selection guide instructions, and must be modified for all other configurations for axle and GVWR compliance.
  2. Recommended snowplow prep package whenever available.
  10. May require bumper or air dam notching.

# 2005 Ford

## Section 1

### Homesteader™, LD-Series & M-Series Snowplows



|   |                                 |          |
|---|---------------------------------|----------|
| Blade Length  | 6'-8"                           | 7'-4"    |
| Blade Assembly                                      | Personal                        | Personal |
| Blade Part Number                                   | 27547                           | 27549    |
| Common Attachment Kit / Headgear Kit                | 27550                           |          |
| Hydraulic Kit                                       | 27517                           |          |
| Common Light  | 8435                            |          |
| Choose Module                                       | DRLs: 29070,<br>Non-DRLs: 29060 |          |
| Choose a Hand-Held Control<br>or a Joystick Control | 9400<br>8292                    |          |



|                              |               |                 |            |                 |            |
|------------------------------|---------------|-----------------|------------|-----------------|------------|
| 6'-9"<br>LD                  | 7'-1/2"<br>LD | 7'-1/2"<br>RD M | 8'<br>HD M | 8'-1/2"<br>HD M | 9'<br>HD M |
| 28069                        | 27775         | 27500           | 28000      | 28500           | 29000      |
| 27750-1                      |               |                 | 27777      |                 |            |
| 9825-1                       |               |                 | 9840-2     |                 |            |
| 28800                        |               |                 |            |                 |            |
| DRLs: 29070, Non-DRLs: 29060 |               |                 |            |                 |            |
| 9400                         |               |                 |            |                 |            |
| 8292                         |               |                 |            |                 |            |

| Model           | Body Style | DRW       | Box Option | Engine Type | Min F G A W R | Min R G A W R | Min G V W R | Peculiar Light Kit | Personal Plow system |       | Ballast Guidelines, lbs (1) | MM2 system       |       | Ballast Guidelines, lbs (1) |     |     |     |      |     |     |
|-----------------|------------|-----------|------------|-------------|---------------|---------------|-------------|--------------------|----------------------|-------|-----------------------------|------------------|-------|-----------------------------|-----|-----|-----|------|-----|-----|
|                 |            |           |            |             |               |               |             |                    | Peculiar Att.Kit     | Notes |                             | Peculiar Att.Kit | Notes |                             |     |     |     |      |     |     |
| F350 SUPER DUTY | 4x4        | Crew Cab  | Yes        | 8.0 Box     | 6.0L D        | 6000          | 9000        | 13000              | n/a                  | ---   | ---                         | ---              | 7176  | 2,10                        | --- | --- | --- | ---  | 400 | 400 |
| F350 SUPER DUTY | 4x4        | Crew Cab  | Yes        | 8.0 Box     | 6.8L V10      | 6000          | 9000        | 12600              | n/a                  | ---   | ---                         | ---              | 7176  | 2,10                        | --- | --- | --- | ---  | 250 | 250 |
| F350 SUPER DUTY | 4x4        | Crew Cab  | Yes        | 8.0 Box     | 6.8L V10      | 5600          | 9000        | 12600              | n/a                  | ---   | ---                         | ---              | 7176  | 2,10                        | --- | --- | --- | ---  | 250 | 250 |
| F350 SUPER DUTY | 4x4        | Crew Cab  | Yes        | 8.0 Box     | 6.8L V10      | 5200          | 9000        | 12600              | n/a                  | ---   | ---                         | ---              | 7176  | 2,10                        | --- | --- | --- | ---  | 850 | 950 |
| F350 SUPER DUTY | 4x4        | All       | Yes        | Chassis     | All           | All           | All         | 8501               | n/a                  | ---   | ---                         | ---              | 7176  | 2,10                        | --- | --- | --- | ---  | ?   | ?   |
| F350 SUPER DUTY | 4x2        | Reg Cab   | No         | 8.0 Box     | 6.0L D        | 4850          | 7000        | 10700              | n/a                  | ---   | ---                         | ---              | 7176  | 2,10,44                     | --- | --- | --- | 1000 | --- | --- |
| F350 SUPER DUTY | 4x2        | Reg Cab   | No         | 8.0 Box     | 6.0L D        | 4850          | 6830        | 10700              | n/a                  | ---   | ---                         | ---              | 7176  | 2,10,44                     | --- | --- | --- | 1000 | --- | --- |
| F350 SUPER DUTY | 4x2        | Reg Cab   | Yes        | 8.0 Box     | 6.8L V10      | 4400          | 9000        | 12000              | n/a                  | ---   | ---                         | ---              | 7176  | 2,10,44                     | --- | --- | --- | ---  | 750 | 850 |
| F350 SUPER DUTY | 4x2        | Super Cab | No         | 8.0 Box     | 5.4L V8       | 4700          | 7000        | 10400              | n/a                  | ---   | ---                         | ---              | 7176  | 2,10,44                     | --- | --- | --- | 250  | 300 | 350 |
| F350 SUPER DUTY | 4x2        | Super Cab | No         | 8.0 Box     | 5.4L V8       | 4700          | 6830        | 10400              | n/a                  | ---   | ---                         | ---              | 7176  | 2,10,44                     | --- | --- | --- | 250  | 300 | 350 |
| F350 SUPER DUTY | 4x2        | Super Cab | No         | 8.0 Box     | 5.4L V8       | 4550          | 7000        | 10400              | n/a                  | ---   | ---                         | ---              | 7176  | 2,10,44                     | --- | --- | --- | 850  | 950 | --- |
| F350 SUPER DUTY | 4x2        | Super Cab | No         | 8.0 Box     | 5.4L V8       | 4550          | 6830        | 10400              | n/a                  | ---   | ---                         | ---              | 7176  | 2,10,44                     | --- | --- | --- | 850  | 950 | --- |
| F350 SUPER DUTY | 4x2        | Super Cab | No         | 8.0 Box     | 6.8L V10      | 4700          | 7000        | 10600              | n/a                  | ---   | ---                         | ---              | 7176  | 2,10,44                     | --- | --- | --- | 500  | 600 | 700 |
| F350 SUPER DUTY | 4x2        | Super Cab | No         | 8.0 Box     | 6.8L V10      | 4700          | 6830        | 10600              | n/a                  | ---   | ---                         | ---              | 7176  | 2,10,44                     | --- | --- | --- | 500  | 600 | 700 |
| F350 SUPER DUTY | 4x2        | Super Cab | Yes        | 8.0 Box     | 5.4L V8       | 4700          | 9000        | 12200              | n/a                  | ---   | ---                         | ---              | 7176  | 2,10,44                     | --- | --- | --- | ---  | 400 | 450 |
| F350 SUPER DUTY | 4x2        | Super Cab | Yes        | 8.0 Box     | 6.8L V10      | 4850          | 9000        | 12400              | n/a                  | ---   | ---                         | ---              | 7176  | 2,10,44                     | --- | --- | --- | ---  | 150 | 150 |
| F350 SUPER DUTY | 4x2        | Super Cab | Yes        | 8.0 Box     | 6.8L V10      | 4700          | 9000        | 12400              | n/a                  | ---   | ---                         | ---              | 7176  | 2,10,44                     | --- | --- | --- | ---  | 750 | 850 |
| F350 SUPER DUTY | 4x2        | Crew Cab  | No         | 6.8 Box     | 5.4L V8       | 4550          | 7000        | 10400              | n/a                  | ---   | ---                         | ---              | 7176  | 2,10,44                     | --- | --- | --- | 950  | --- | --- |
| F350 SUPER DUTY | 4x2        | Crew Cab  | No         | 6.8 Box     | 5.4L V8       | 4550          | 6830        | 10400              | n/a                  | ---   | ---                         | ---              | 7176  | 2,10,44                     | --- | --- | --- | 950  | --- | --- |
| F350 SUPER DUTY | 4x2        | Crew Cab  | No         | 6.8 Box     | 6.8L V10      | 4700          | 7000        | 10600              | n/a                  | ---   | ---                         | ---              | 7176  | 2,10,44                     | --- | --- | --- | 600  | 700 | 800 |
| F350 SUPER DUTY | 4x2        | Crew Cab  | No         | 6.8 Box     | 6.8L V10      | 4700          | 6830        | 10600              | n/a                  | ---   | ---                         | ---              | 7176  | 2,10,44                     | --- | --- | --- | 600  | 700 | 800 |
| F350 SUPER DUTY | 4x2        | Crew Cab  | No         | 8.0 Box     | 5.4L V8       | 4850          | 7000        | 10600              | n/a                  | ---   | ---                         | ---              | 7176  | 2,10,44                     | --- | --- | --- | 250  | 250 | 250 |
| F350 SUPER DUTY | 4x2        | Crew Cab  | No         | 8.0 Box     | 5.4L V8       | 4850          | 6830        | 10600              | n/a                  | ---   | ---                         | ---              | 7176  | 2,10,44                     | --- | --- | --- | 250  | 250 | 250 |
| F350 SUPER DUTY | 4x2        | Crew Cab  | No         | 8.0 Box     | 5.4L V8       | 4700          | 7000        | 10600              | n/a                  | ---   | ---                         | ---              | 7176  | 2,10,44                     | --- | --- | --- | 700  | 800 | 900 |
| F350 SUPER DUTY | 4x2        | Crew Cab  | No         | 8.0 Box     | 5.4L V8       | 4700          | 6830        | 10600              | n/a                  | ---   | ---                         | ---              | 7176  | 2,10,44                     | --- | --- | --- | 700  | 800 | 900 |
| F350 SUPER DUTY | 4x2        | Crew Cab  | No         | 8.0 Box     | 6.8L V10      | 4850          | 7000        | 10800              | n/a                  | ---   | ---                         | ---              | 7176  | 2,10,44                     | --- | --- | --- | 350  | 450 | 550 |
| F350 SUPER DUTY | 4x2        | Crew Cab  | No         | 8.0 Box     | 6.8L V10      | 4850          | 6830        | 10800              | n/a                  | ---   | ---                         | ---              | 7176  | 2,10,44                     | --- | --- | --- | 350  | 450 | 550 |
| F350 SUPER DUTY | 4x2        | Crew Cab  | Yes        | 6.8 Box     | 6.8L V10      | 4700          | 9000        | 12400              | n/a                  | ---   | ---                         | ---              | 7176  | 2,10,44                     | --- | --- | --- | ---  | 950 | --- |
| F350 SUPER DUTY | 4x2        | Crew Cab  | Yes        | 8.0 Box     | 6.8L V10      | 4850          | 9000        | 12600              | n/a                  | ---   | ---                         | ---              | 7176  | 2,10,44                     | --- | --- | --- | ---  | 600 | 700 |
| F350 SUPER DUTY | 4x2        | All       | Yes        | Chassis     | All           | All           | All         | 10001              | n/a                  | ---   | ---                         | ---              | 7176  | 2,10,44                     | --- | --- | --- | ---  | ?   | ?   |
| F450 SUPER DUTY | 4x4        | All       | Yes        | Chassis     | All           | All           | All         | 8501               | n/a                  | ---   | ---                         | ---              | 7176  | 2,10                        | --- | --- | --- | ---  | ?   | ?   |
| F450 SUPER DUTY | 4x2        | All       | Yes        | Chassis     | All           | All           | All         | 10001              | n/a                  | ---   | ---                         | ---              | 7176  | 2,10,44                     | --- | --- | --- | ---  | ?   | ?   |

Notes:  
 1. Ballast amounts are based on a "Representative Vehicle," defined in the vehicle selection guide instructions, and must be modified for all other configurations for axle and GVWR compliance.  
 2. Recommended snowplow prep package whenever available.

10. May require bumper or air dam notching.  
 44. Minimum height required from ground to foremost point on frame bottom is 22.5".

# 2005 Ford

## Section 2 XBLADE™ & MC-Series Snowplows



|  |                              |        |       |       |        |        |       |       |        |       |
|--|------------------------------|--------|-------|-------|--------|--------|-------|-------|--------|-------|
| Blade Length                                     | 7-1/2'                       | 7-1/2' | 8'    | 8'    | 8-1/2' | 8-1/2' | 9'    | 9'    | 9'     | 10'   |
| Blade Assembly                                   | X SS                         | X MS   | X SS  | X MS  | X SS   | X MS   | X SS  | X MS  | MC     | MC    |
| Blade Part Number                                | 27510                        | 27512  | 28100 | 28200 | 28510  | 28520  | 29100 | 29200 | 29250  | 29350 |
| Common Attachment Kit / Headgear Kit             | 28900                        | 27777  | 28900 | 27777 | 28900  | 27777  | 28900 | 27777 | 29999  |       |
| A-Frame Kit                                      | n/a                          |        |       |       |        |        |       |       | 28665  |       |
| Hydraulic Kit                                    | 9840-2                       |        |       |       |        |        |       |       | 9835-1 |       |
| Common Light                                     | 28800                        |        |       |       |        |        |       |       |        |       |
| Choose Module                                    | DRLs: 29070, Non-DRLs: 29060 |        |       |       |        |        |       |       |        |       |
| Choose a Hand-Held Control or a Joystick Control | 9400                         |        |       |       |        |        |       |       |        |       |
|  | 8292                         |        |       |       |        |        |       |       |        |       |

| Model           | Body Style | DRW       | Box Option | Engine Type | Min F G A W R | Min R G A W R | Min G V W R | Peculiar Light Kit | MM2 system                    |       | Ballast Guidelines, lbs (1) |     |     |     |     |     |     |     |      |      |     |     |     |     |
|-----------------|------------|-----------|------------|-------------|---------------|---------------|-------------|--------------------|-------------------------------|-------|-----------------------------|-----|-----|-----|-----|-----|-----|-----|------|------|-----|-----|-----|-----|
|                 |            |           |            |             |               |               |             |                    | Peculiar Att.Kit              | Notes |                             |     |     |     |     |     |     |     |      |      |     |     |     |     |
| F150            | 4x4        | Reg Cab   | No         | 8.0 Box     | 5.4L V8       | 4300          | 4800        | 8200               | H13 use 29049                 | 7174  | 3                           | 650 | 650 | --- | --- | --- | --- | --- | ---  | ---  | --- | --- | --- |     |
| F250 SUPER DUTY | 4x4        | Reg Cab   | No         | 8.0 Box     | 5.4L V8       | 5600          | 6100        | 9000               | H13 use 29049 or 2B use 29051 | 7176  | 2,10                        | 500 | 500 | 550 | 550 | 550 | 550 | 600 | 600  | ---  | --- | --- | --- |     |
| F250 SUPER DUTY | 4x4        | Reg Cab   | No         | 8.0 Box     | 5.4L V8       | 5200          | 6100        | 9000               |                               | 7176  | 2,10                        | 500 | 500 | 550 | 550 | 550 | 550 | 600 | 600  | ---  | --- | --- | --- |     |
| F250 SUPER DUTY | 4x4        | Reg Cab   | No         | 8.0 Box     | 5.4L V8       | 4800          | 6100        | 9000               |                               | 7176  | 2,10                        | 750 | 750 | --- | --- | --- | --- | --- | ---  | ---  | --- | --- | --- |     |
| F250 SUPER DUTY | 4x4        | Reg Cab   | No         | 8.0 Box     | 6.0L D        | 6000          | 6100        | 9200               |                               | 7176  | 2,10                        | 650 | 650 | 700 | 700 | 750 | 750 | 750 | 750  | 750  | --- | --- | --- | --- |
| F250 SUPER DUTY | 4x4        | Reg Cab   | No         | 8.0 Box     | 6.0L D        | 5600          | 6100        | 9200               |                               | 7176  | 2,10                        | 650 | 650 | 700 | 700 | 750 | 750 | 750 | 750  | 750  | --- | --- | --- | --- |
| F250 SUPER DUTY | 4x4        | Reg Cab   | No         | 8.0 Box     | 6.8L V10      | 5600          | 6100        | 9200               |                               | 7176  | 2,10                        | 500 | 500 | 550 | 550 | 600 | 600 | 600 | 600  | 600  | --- | --- | --- | --- |
| F250 SUPER DUTY | 4x4        | Reg Cab   | No         | 8.0 Box     | 6.8L V10      | 5200          | 6100        | 9200               |                               | 7176  | 2,10                        | 500 | 500 | 550 | 550 | 600 | 600 | 600 | 600  | 600  | --- | --- | --- | --- |
| F250 SUPER DUTY | 4x4        | Super Cab | No         | 6.8 Box     | 5.4L V8       | 5600          | 6100        | 9200               |                               | 7176  | 2,10                        | 450 | 450 | 500 | 500 | 500 | 500 | 550 | 550  | 550  | --- | --- | --- | --- |
| F250 SUPER DUTY | 4x4        | Super Cab | No         | 6.8 Box     | 6.0L D        | 6000          | 6100        | 9800               |                               | 7176  | 2,10                        | 600 | 600 | 700 | 700 | 700 | 700 | 700 | 700  | 700  | --- | --- | --- | --- |
| F250 SUPER DUTY | 4x4        | Super Cab | No         | 6.8 Box     | 6.0L D        | 5600          | 6100        | 9800               |                               | 7176  | 2,10                        | 600 | 600 | 700 | 700 | 700 | 700 | 700 | 700  | 700  | --- | --- | --- | --- |
| F250 SUPER DUTY | 4x4        | Super Cab | No         | 6.8 Box     | 6.8L V10      | 5600          | 6100        | 9400               |                               | 7176  | 2,10                        | 500 | 500 | 550 | 550 | 550 | 550 | 600 | 600  | 600  | --- | --- | --- | --- |
| F250 SUPER DUTY | 4x4        | Super Cab | No         | 6.8 Box     | 6.8L V10      | 5200          | 6100        | 9400               |                               | 7176  | 2,10                        | 500 | 500 | 550 | 550 | 550 | 550 | 600 | 600  | 600  | --- | --- | --- | --- |
| F250 SUPER DUTY | 4x4        | Super Cab | No         | 8.0 Box     | 5.4L V8       | 5600          | 6100        | 9400               |                               | 7176  | 2,10                        | 450 | 450 | 500 | 500 | 500 | 500 | 550 | 550  | 550  | --- | --- | --- | --- |
| F250 SUPER DUTY | 4x4        | Super Cab | No         | 8.0 Box     | 5.4L V8       | 5200          | 6100        | 9400               |                               | 7176  | 2,10                        | 450 | 450 | 500 | 500 | 500 | 500 | 550 | 550  | 550  | --- | --- | --- | --- |
| F250 SUPER DUTY | 4x4        | Super Cab | No         | 8.0 Box     | 6.0L D        | 6000          | 6100        | 10000              |                               | 7176  | 2,10                        | 650 | 650 | 700 | 700 | 700 | 700 | 700 | 700  | 700  | --- | --- | --- | --- |
| F250 SUPER DUTY | 4x4        | Super Cab | No         | 8.0 Box     | 6.0L D        | 5600          | 6100        | 10000              |                               | 7176  | 2,10                        | 650 | 650 | 700 | 700 | 800 | 800 | 950 | 950  | 950  | --- | --- | --- | --- |
| F250 SUPER DUTY | 4x4        | Super Cab | No         | 8.0 Box     | 6.8L V10      | 5600          | 6100        | 9600               |                               | 7176  | 2,10                        | 500 | 500 | 550 | 550 | 550 | 550 | 550 | 550  | 550  | --- | --- | --- | --- |
| F250 SUPER DUTY | 4x4        | Super Cab | No         | 8.0 Box     | 6.8L V10      | 5200          | 6100        | 9600               |                               | 7176  | 2,10                        | 500 | 500 | 550 | 550 | 600 | 600 | 750 | 750  | 750  | --- | --- | --- | --- |
| F250 SUPER DUTY | 4x4        | Crew Cab  | No         | 6.8 Box     | 5.4L V8       | 5600          | 6100        | 9400               |                               | 7176  | 2,10                        | 400 | 400 | 450 | 450 | 450 | 450 | 500 | 500  | 500  | --- | --- | --- | --- |
| F250 SUPER DUTY | 4x4        | Crew Cab  | No         | 6.8 Box     | 5.4L V8       | 5200          | 6100        | 9400               |                               | 7176  | 2,10                        | 400 | 400 | 450 | 450 | 450 | 450 | 500 | 500  | 500  | --- | --- | --- | --- |
| F250 SUPER DUTY | 4x4        | Crew Cab  | No         | 6.8 Box     | 6.0L D        | 6000          | 6100        | 10000              |                               | 7176  | 2,10                        | 600 | 600 | 650 | 650 | 650 | 650 | 700 | 700  | 700  | --- | --- | --- | --- |
| F250 SUPER DUTY | 4x4        | Crew Cab  | No         | 6.8 Box     | 6.0L D        | 5600          | 6100        | 10000              |                               | 7176  | 2,10                        | 600 | 600 | 750 | 750 | 900 | 900 | --- | ---  | ---  | --- | --- | --- | --- |
| F250 SUPER DUTY | 4x4        | Crew Cab  | No         | 6.8 Box     | 6.8L V10      | 5600          | 6100        | 9600               |                               | 7176  | 2,10                        | 450 | 450 | 500 | 500 | 500 | 500 | 550 | 550  | 550  | --- | --- | --- | --- |
| F250 SUPER DUTY | 4x4        | Crew Cab  | No         | 6.8 Box     | 6.8L V10      | 5200          | 6100        | 9600               |                               | 7176  | 2,10                        | 450 | 450 | 550 | 550 | 700 | 700 | 850 | 850  | 850  | --- | --- | --- | --- |
| F250 SUPER DUTY | 4x4        | Crew Cab  | No         | 8.0 Box     | 5.4L V8       | 5600          | 6100        | 9600               |                               | 7176  | 2,10                        | 400 | 400 | 450 | 450 | 500 | 500 | 500 | 500  | 500  | --- | --- | --- | --- |
| F250 SUPER DUTY | 4x4        | Crew Cab  | No         | 8.0 Box     | 5.4L V8       | 5200          | 6100        | 9600               |                               | 7176  | 2,10                        | 400 | 400 | 450 | 450 | 850 | 850 | 850 | 1000 | 1000 | --- | --- | --- | --- |
| F250 SUPER DUTY | 4x4        | Crew Cab  | No         | 8.0 Box     | 6.8L V10      | 6000          | 6100        | 10000              |                               | 7176  | 2,10                        | 600 | 600 | 650 | 650 | 650 | 650 | 700 | 700  | 700  | --- | --- | --- | --- |
| F250 SUPER DUTY | 4x4        | Crew Cab  | No         | 8.0 Box     | 6.8L V10      | 5600          | 6100        | 9800               |                               | 7176  | 2,10                        | 450 | 450 | 500 | 500 | 500 | 500 | 550 | 550  | 550  | --- | --- | --- | --- |
| F250 SUPER DUTY | 4x4        | Crew Cab  | No         | 8.0 Box     | 6.8L V10      | 5600          | 6100        | 10000              | 7176                          | 2,10  | 900                         | 900 | --- | --- | --- | --- | --- | --- | ---  | ---  | --- | --- | --- |     |
| F250 SUPER DUTY | 4x4        | Crew Cab  | No         | 8.0 Box     | 6.8L V10      | 5200          | 6100        | 9800               | 7176                          | 2,10  | 700                         | 700 | --- | --- | --- | --- | --- | --- | ---  | ---  | --- | --- | --- |     |
| F250 SUPER DUTY | 4x4        | All       | No         | Chassis     | All           | All           | All         | 8501               | 7176                          | 2,10  | ?                           | ?   | ?   | ?   | ?   | ?   | ?   | ?   | ?    | ---  | --- | --- | --- |     |
| F350 SUPER DUTY | 4x4        | Reg Cab   | No         | 8.0 Box     | 5.4L V8       | 5600          | 7000        | 10500              | 7176                          | 2,10  | 450                         | 450 | 500 | 500 | 550 | 550 | 550 | 550 | 550  | ---  | --- | --- | --- |     |
| F350 SUPER DUTY | 4x4        | Reg Cab   | No         | 8.0 Box     | 5.4L V8       | 5200          | 7000        | 10500              | 7176                          | 2,10  | 450                         | 450 | 500 | 500 | 550 | 550 | 550 | 550 | 550  | ---  | --- | --- | --- |     |
| F350 SUPER DUTY | 4x4        | Reg Cab   | No         | 8.0 Box     | 5.4L V8       | 4800          | 7000        | 10500              | 7176                          | 2,10  | 800                         | 800 | --- | --- | --- | --- | --- | --- | ---  | ---  | --- | --- | --- |     |

- Notes:
- Ballast amounts are based on a "Representative Vehicle," defined in the vehicle selection guide instructions, and must be modified for all other configurations for axle and GVWR compliance.
  - Recommended snowplow prep package whenever available.
  - Requires bumper notching.
  - May require bumper or air dam notching.

# 2005 Ford

## Section 2 XBLADE™ & MC-Series Snowplows



|                                      |                              |        |       |       |        |        |       |       |       |        |
|--------------------------------------|------------------------------|--------|-------|-------|--------|--------|-------|-------|-------|--------|
| Blade Length                         | 7-1/2'                       | 7-1/2' | 8'    | 8'    | 8-1/2' | 8-1/2' | 9'    | 9'    | 9'    | 10'    |
| Blade Assembly                       | X SS                         | X MS   | X SS  | X MS  | X SS   | X MS   | X SS  | X MS  | MC    | MC     |
| Blade Part Number                    | 27510                        | 27512  | 28100 | 28200 | 28510  | 28520  | 29100 | 29200 | 29250 | 29350  |
| Common Attachment Kit / Headgear Kit | 28900                        | 27777  | 28900 | 27777 | 28900  | 27777  | 28900 | 27777 | 29999 |        |
| A-Frame Kit                          | n/a                          |        |       |       |        |        |       |       |       | 28665  |
| Hydraulic Kit                        | 9840-2                       |        |       |       |        |        |       |       |       | 9835-1 |
| Common Light                         | 28800                        |        |       |       |        |        |       |       |       |        |
| Choose Module                        | DRLs: 29070, Non-DRLs: 29060 |        |       |       |        |        |       |       |       |        |
| Choose a Hand-Held Control           | 9400                         |        |       |       |        |        |       |       |       |        |
| or a Joystick Control                | 8292                         |        |       |       |        |        |       |       |       |        |

| Model           | Body Style | DRW       | Box Option | Engine Type | Min F G A W R | Min R G A W R | Min G V W R | Peculiar Light Kit | MM2 system       |       | Ballast Guidelines, lbs (1) |     |     |     |      |      |      |      |     |     |
|-----------------|------------|-----------|------------|-------------|---------------|---------------|-------------|--------------------|------------------|-------|-----------------------------|-----|-----|-----|------|------|------|------|-----|-----|
|                 |            |           |            |             |               |               |             |                    | Peculiar Att.Kit | Notes |                             |     |     |     |      |      |      |      |     |     |
| F350 SUPER DUTY | 4x4        | Reg Cab   | No         | 8.0 Box     | 6.0L D        | 6000          | 7000        | 11000              | 7176             | 2,10  | 650                         | 650 | 700 | 700 | 700  | 700  | 750  | 750  | --- | --- |
| F350 SUPER DUTY | 4x4        | Reg Cab   | No         | 8.0 Box     | 6.0L D        | 5600          | 7000        | 11000              | 7176             | 2,10  | 650                         | 650 | 700 | 700 | 700  | 700  | 750  | 750  | --- | --- |
| F350 SUPER DUTY | 4x4        | Reg Cab   | No         | 8.0 Box     | 6.8L V10      | 5600          | 7000        | 10700              | 7176             | 2,10  | 500                         | 500 | 550 | 550 | 550  | 550  | 600  | 600  | --- | --- |
| F350 SUPER DUTY | 4x4        | Reg Cab   | No         | 8.0 Box     | 6.8L V10      | 5200          | 7000        | 10700              | 7176             | 2,10  | 500                         | 500 | 550 | 550 | 550  | 550  | 600  | 600  | --- | --- |
| F350 SUPER DUTY | 4x4        | Reg Cab   | Yes        | 8.0 Box     | 5.4L V8       | 5600          | 9000        | 12000              | 7176             | 2,10  | ---                         | --- | --- | --- | 350  | 350  | 400  | 400  | --- | --- |
| F350 SUPER DUTY | 4x4        | Reg Cab   | Yes        | 8.0 Box     | 5.4L V8       | 5200          | 9000        | 12000              | 7176             | 2,10  | ---                         | --- | --- | --- | 350  | 350  | 400  | 400  | --- | --- |
| F350 SUPER DUTY | 4x4        | Reg Cab   | Yes        | 8.0 Box     | 6.0L D        | 6000          | 9000        | 12600              | 7176             | 2,10  | ---                         | --- | --- | --- | 550  | 550  | 550  | 550  | --- | --- |
| F350 SUPER DUTY | 4x4        | Reg Cab   | Yes        | 8.0 Box     | 6.0L D        | 5600          | 9000        | 12600              | 7176             | 2,10  | ---                         | --- | --- | --- | 550  | 550  | 550  | 550  | --- | --- |
| F350 SUPER DUTY | 4x4        | Reg Cab   | Yes        | 8.0 Box     | 6.8L V10      | 5600          | 9000        | 12200              | 7176             | 2,10  | ---                         | --- | --- | --- | 400  | 400  | 400  | 400  | --- | --- |
| F350 SUPER DUTY | 4x4        | Reg Cab   | Yes        | 8.0 Box     | 6.8L V10      | 5200          | 9000        | 12200              | 7176             | 2,10  | ---                         | --- | --- | --- | 400  | 400  | 400  | 400  | --- | --- |
| F350 SUPER DUTY | 4x4        | Super Cab | No         | 6.8 Box     | 5.4L V8       | 5600          | 7000        | 10600              | 7176             | 2,10  | 400                         | 400 | 450 | 450 | 500  | 500  | 500  | 500  | --- | --- |
| F350 SUPER DUTY | 4x4        | Super Cab | No         | 6.8 Box     | 5.4L V8       | 5200          | 7000        | 10600              | 7176             | 2,10  | 400                         | 400 | 450 | 450 | 500  | 500  | 500  | 500  | --- | --- |
| F350 SUPER DUTY | 4x4        | Super Cab | No         | 6.8 Box     | 6.0L D        | 6000          | 7000        | 11200              | 7176             | 2,10  | 600                         | 600 | 650 | 650 | 700  | 700  | 700  | 700  | --- | --- |
| F350 SUPER DUTY | 4x4        | Super Cab | No         | 6.8 Box     | 6.0L D        | 5600          | 7000        | 11200              | 7176             | 2,10  | 600                         | 600 | 650 | 650 | 700  | 700  | 700  | 700  | --- | --- |
| F350 SUPER DUTY | 4x4        | Super Cab | No         | 6.8 Box     | 6.8L V10      | 5600          | 7000        | 10800              | 7176             | 2,10  | 450                         | 450 | 500 | 500 | 550  | 550  | 550  | 550  | --- | --- |
| F350 SUPER DUTY | 4x4        | Super Cab | No         | 6.8 Box     | 6.8L V10      | 5200          | 7000        | 10800              | 7176             | 2,10  | 450                         | 450 | 500 | 500 | 550  | 550  | 550  | 550  | --- | --- |
| F350 SUPER DUTY | 4x4        | Super Cab | No         | 8.0 Box     | 5.4L V8       | 5600          | 7000        | 10800              | 7176             | 2,10  | 400                         | 400 | 450 | 450 | 500  | 500  | 500  | 500  | --- | --- |
| F350 SUPER DUTY | 4x4        | Super Cab | No         | 8.0 Box     | 5.4L V8       | 5200          | 7000        | 10800              | 7176             | 2,10  | 400                         | 400 | 450 | 450 | 500  | 500  | 500  | 500  | --- | --- |
| F350 SUPER DUTY | 4x4        | Super Cab | No         | 8.0 Box     | 6.0L D        | 6000          | 7000        | 11400              | 7176             | 2,10  | 600                         | 600 | 650 | 650 | 700  | 700  | 700  | 700  | --- | --- |
| F350 SUPER DUTY | 4x4        | Super Cab | No         | 8.0 Box     | 6.0L D        | 5600          | 7000        | 11400              | 7176             | 2,10  | 600                         | 600 | 700 | 700 | 850  | 850  | 1000 | 1000 | --- | --- |
| F350 SUPER DUTY | 4x4        | Super Cab | No         | 8.0 Box     | 6.8L V10      | 5600          | 7000        | 11000              | 7176             | 2,10  | 450                         | 450 | 500 | 500 | 550  | 550  | 550  | 550  | --- | --- |
| F350 SUPER DUTY | 4x4        | Super Cab | No         | 8.0 Box     | 6.8L V10      | 5200          | 7000        | 11000              | 7176             | 2,10  | 450                         | 450 | 500 | 500 | 650  | 650  | 800  | 800  | --- | --- |
| F350 SUPER DUTY | 4x4        | Super Cab | Yes        | 8.0 Box     | 5.4L V8       | 5600          | 9000        | 12400              | 7176             | 2,10  | ---                         | --- | --- | --- | 300  | 300  | 350  | 350  | --- | --- |
| F350 SUPER DUTY | 4x4        | Super Cab | Yes        | 8.0 Box     | 5.4L V8       | 5200          | 9000        | 12400              | 7176             | 2,10  | ---                         | --- | --- | --- | 450  | 450  | 600  | 600  | --- | --- |
| F350 SUPER DUTY | 4x4        | Super Cab | Yes        | 8.0 Box     | 6.0L D        | 6000          | 9000        | 13000              | 7176             | 2,10  | ---                         | --- | --- | --- | 500  | 500  | 500  | 500  | --- | --- |
| F350 SUPER DUTY | 4x4        | Super Cab | Yes        | 8.0 Box     | 6.0L D        | 5600          | 9000        | 13000              | 7176             | 2,10  | ---                         | --- | --- | --- | 1000 | 1000 | ---  | ---  | --- | --- |
| F350 SUPER DUTY | 4x4        | Super Cab | Yes        | 8.0 Box     | 6.8L V10      | 6000          | 9000        | 12600              | 7176             | 2,10  | ---                         | --- | --- | --- | 350  | 350  | 400  | 400  | --- | --- |
| F350 SUPER DUTY | 4x4        | Super Cab | Yes        | 8.0 Box     | 6.8L V10      | 5600          | 9000        | 12600              | 7176             | 2,10  | ---                         | --- | --- | --- | 350  | 350  | 400  | 400  | --- | --- |
| F350 SUPER DUTY | 4x4        | Super Cab | Yes        | 8.0 Box     | 6.8L V10      | 5200          | 9000        | 12600              | 7176             | 2,10  | ---                         | --- | --- | --- | 800  | 800  | 950  | 950  | --- | --- |
| F350 SUPER DUTY | 4x4        | Crew Cab  | No         | 6.8 Box     | 5.4L V8       | 5600          | 7000        | 10800              | 7176             | 2,10  | 350                         | 350 | 450 | 450 | 450  | 450  | 450  | 450  | --- | --- |
| F350 SUPER DUTY | 4x4        | Crew Cab  | No         | 6.8 Box     | 5.4L V8       | 5200          | 7000        | 10800              | 7176             | 2,10  | 350                         | 350 | 450 | 450 | 450  | 450  | 550  | 550  | --- | --- |
| F350 SUPER DUTY | 4x4        | Crew Cab  | No         | 6.8 Box     | 6.0L D        | 8000          | 7000        | 11400              | 7176             | 2,10  | 550                         | 550 | 600 | 600 | 850  | 850  | 650  | 650  | --- | --- |
| F350 SUPER DUTY | 4x4        | Crew Cab  | No         | 6.8 Box     | 6.0L D        | 5600          | 7000        | 11400              | 7176             | 2,10  | 550                         | 550 | 800 | 800 | 950  | 950  | ---  | ---  | --- | --- |
| F350 SUPER DUTY | 4x4        | Crew Cab  | No         | 6.8 Box     | 6.8L V10      | 5600          | 7000        | 11000              | 7176             | 2,10  | 400                         | 400 | 450 | 450 | 500  | 500  | 500  | 500  | --- | --- |
| F350 SUPER DUTY | 4x4        | Crew Cab  | No         | 6.8 Box     | 6.8L V10      | 5200          | 7000        | 11000              | 7176             | 2,10  | 400                         | 400 | 600 | 600 | 750  | 750  | 900  | 900  | --- | --- |
| F350 SUPER DUTY | 4x4        | Crew Cab  | No         | 8.0 Box     | 5.4L V8       | 6000          | 7000        | 11000              | 7176             | 2,10  | 400                         | 400 | 450 | 450 | 450  | 450  | 500  | 500  | --- | --- |
| F350 SUPER DUTY | 4x4        | Crew Cab  | No         | 8.0 Box     | 5.4L V8       | 5600          | 7000        | 11000              | 7176             | 2,10  | 400                         | 400 | 450 | 450 | 450  | 450  | 500  | 500  | --- | --- |
| F350 SUPER DUTY | 4x4        | Crew Cab  | No         | 8.0 Box     | 5.4L V8       | 5200          | 7000        | 11000              | 7176             | 2,10  | 400                         | 400 | 700 | 700 | 900  | 900  | ---  | ---  | --- | --- |

- Notes:
- Ballast amounts are based on a "Representative Vehicle," defined in the vehicle selection guide instructions, and must be modified for all other configurations for axle and GVWR compliance.
  - Recommended snowplow prep package whenever available.
  - May require bumper or air dam notching.



# 2005 Ford

## Section 2 XBLADE™ & MC-Series Snowplows



|  |                              |        |       |       |        |        |       |       |        |       |
|--|------------------------------|--------|-------|-------|--------|--------|-------|-------|--------|-------|
| Blade Length                                     | 7-1/2'                       | 7-1/2' | 8'    | 8'    | 8-1/2' | 8-1/2' | 9'    | 9'    | 9'     | 10'   |
| Blade Assembly                                   | X SS                         | X MS   | X SS  | X MS  | X SS   | X MS   | X SS  | X MS  | MC     | MC    |
| Blade Part Number                                | 27510                        | 27512  | 28100 | 28200 | 28510  | 28520  | 29100 | 29200 | 29250  | 29350 |
| Common Attachment Kit / Headgear Kit             | 28900                        | 27777  | 28900 | 27777 | 28900  | 27777  | 28900 | 27777 | 29999  |       |
| A-Frame Kit                                      | n/a                          |        |       |       |        |        |       |       | 28665  |       |
| Hydraulic Kit                                    | 9840-2                       |        |       |       |        |        |       |       | 9835-1 |       |
| Common Light                                     | 28800                        |        |       |       |        |        |       |       |        |       |
| Choose Module                                    | DRLs: 29070, Non-DRLs: 29060 |        |       |       |        |        |       |       |        |       |
| Choose a Hand-Held Control or a Joystick Control | 9400                         |        |       |       |        |        |       |       |        |       |
|  | 8292                         |        |       |       |        |        |       |       |        |       |

| Model           | Body Style | DRW       | Box Option | Engine Type | Min F G A W R | Min R G A W R | Min G V W R | Peculiar Light Kit | MM2 system                                    |         | Ballast Guidelines, lbs (1) |     |      |      |      |      |      |      |     |     |
|-----------------|------------|-----------|------------|-------------|---------------|---------------|-------------|--------------------|---|---------|-----------------------------|-----|------|------|------|------|------|------|-----|-----|
|                 |            |           |            |             |               |               |             |                    | Peculiar Att. Kit                             | Notes   |                             |     |      |      |      |      |      |      |     |     |
| F350 SUPER DUTY | 4x4        | Crew Cab  | No         | 8.0 Box     | 6.0L D        | 6000          | 7000        | 11500              | 7176  | 2,10    | 600                         | 600 | 600  | 600  | 650  | 650  | 650  | 650  | --- | --- |
| F350 SUPER DUTY | 4x4        | Crew Cab  | No         | 8.0 Box     | 6.0L D        | 5600          | 7000        | 11500              | 7176  | 2,10    | 950                         | 950 | ---  | ---  | ---  | ---  | ---  | ---  | --- | --- |
| F350 SUPER DUTY | 4x4        | Crew Cab  | No         | 8.0 Box     | 6.8L V10      | 6000          | 7000        | 11200              | 7176  | 2,10    | 450                         | 450 | 500  | 500  | 500  | 500  | 500  | 500  | --- | --- |
| F350 SUPER DUTY | 4x4        | Crew Cab  | No         | 8.0 Box     | 6.8L V10      | 5200          | 7000        | 11200              | 7176  | 2,10    | 750                         | 750 | ---  | ---  | ---  | ---  | ---  | ---  | --- | --- |
| F350 SUPER DUTY | 4x4        | Crew Cab  | Yes        | 6.8 Box     | 6.0L D        | 6000          | 9000        | 13000              | 7176  | 2,10    | ---                         | --- | ---  | ---  | 450  | 450  | 500  | 500  | --- | --- |
| F350 SUPER DUTY | 4x4        | Crew Cab  | Yes        | 6.8 Box     | 6.8L V10      | 5600          | 9000        | 12600              | 7176  | 2,10    | ---                         | --- | ---  | ---  | 300  | 300  | 350  | 350  | --- | --- |
| F350 SUPER DUTY | 4x4        | Crew Cab  | Yes        | 6.8 Box     | 6.8L V10      | 5200          | 9000        | 12600              | 7176  | 2,10    | ---                         | --- | ---  | ---  | 850  | 850  | 1000 | 1000 | --- | --- |
| F350 SUPER DUTY | 4x4        | Crew Cab  | Yes        | 8.0 Box     | 6.0L D        | 6000          | 9000        | 13000              | 7176  | 2,10    | ---                         | --- | ---  | ---  | 450  | 450  | 500  | 500  | --- | --- |
| F350 SUPER DUTY | 4x4        | Crew Cab  | Yes        | 8.0 Box     | 6.8L V10      | 6000          | 9000        | 12600              | 7176  | 2,10    | ---                         | --- | ---  | ---  | 300  | 300  | 350  | 350  | --- | --- |
| F350 SUPER DUTY | 4x4        | Crew Cab  | Yes        | 8.0 Box     | 6.8L V10      | 5600          | 9000        | 12600              | 7176  | 2,10    | ---                         | --- | ---  | ---  | 300  | 300  | 350  | 350  | --- | --- |
| F350 SUPER DUTY | 4x4        | All       | Yes        | Chassis     | All           | All           | All         | 8501               | 7176  | 2,10    | ---                         | --- | ---  | ---  | ?    | ?    | ?    | ?    | --- | --- |
| F350 SUPER DUTY | 4x2        | Super Cab | No         | 8.0 Box     | 5.4L V8       | 4700          | 7000        | 10400              | 7176  | 2,10,44 | 300                         | 300 | 600  | 600  | 750  | 750  | 900  | 900  | --- | --- |
| F350 SUPER DUTY | 4x2        | Super Cab | No         | 8.0 Box     | 5.4L V8       | 4700          | 6830        | 10400              | 7176  | 2,10,44 | 300                         | 300 | 600  | 600  | 750  | 750  | 900  | 900  | --- | --- |
| F350 SUPER DUTY | 4x2        | Super Cab | No         | 8.0 Box     | 5.4L V8       | 4550          | 7000        | 10400              | 7176  | 2,10,44 | 950                         | 950 | ---  | ---  | ---  | ---  | ---  | ---  | --- | --- |
| F350 SUPER DUTY | 4x2        | Super Cab | No         | 8.0 Box     | 5.4L V8       | 4550          | 6830        | 10400              | 7176  | 2,10,44 | 950                         | 950 | ---  | ---  | ---  | ---  | ---  | ---  | --- | --- |
| F350 SUPER DUTY | 4x2        | Super Cab | No         | 8.0 Box     | 6.8L V10      | 4700          | 7000        | 10600              | 7176  | 2,10,44 | 650                         | 650 | 1000 | 1000 | ---  | ---  | ---  | ---  | --- | --- |
| F350 SUPER DUTY | 4x2        | Super Cab | No         | 8.0 Box     | 6.8L V10      | 4700          | 6830        | 10600              | 7176  | 2,10,44 | 650                         | 650 | 1000 | 1000 | ---  | ---  | ---  | ---  | --- | --- |
| F350 SUPER DUTY | 4x2        | Super Cab | Yes        | 8.0 Box     | 5.4L V8       | 4700          | 9000        | 12200              | 7176  | 2,10,44 | ---                         | --- | ---  | ---  | 900  | 900  | ---  | ---  | --- | --- |
| F350 SUPER DUTY | 4x2        | Super Cab | Yes        | 8.0 Box     | 6.8L V10      | 4850          | 9000        | 12400              | 7176  | 2,10,44 | ---                         | --- | ---  | ---  | 600  | 600  | 750  | 750  | --- | --- |
| F350 SUPER DUTY | 4x2        | Crew Cab  | No         | 6.8 Box     | 6.8L V10      | 4700          | 7000        | 10600              | 7176  | 2,10,44 | 750                         | 750 | ---  | ---  | ---  | ---  | ---  | ---  | --- | --- |
| F350 SUPER DUTY | 4x2        | Crew Cab  | No         | 6.8 Box     | 6.8L V10      | 4700          | 6830        | 10600              | 7176  | 2,10,44 | 750                         | 750 | ---  | ---  | ---  | ---  | ---  | ---  | --- | --- |
| F350 SUPER DUTY | 4x2        | Crew Cab  | No         | 8.0 Box     | 5.4L V8       | 4850          | 7000        | 10600              | 7176  | 2,10,44 | 250                         | 250 | 450  | 450  | 600  | 600  | 800  | 800  | --- | --- |
| F350 SUPER DUTY | 4x2        | Crew Cab  | No         | 8.0 Box     | 5.4L V8       | 4850          | 6830        | 10600              | 7176  | 2,10,44 | 250                         | 250 | 450  | 450  | 600  | 600  | 800  | 800  | --- | --- |
| F350 SUPER DUTY | 4x2        | Crew Cab  | No         | 8.0 Box     | 5.4L V8       | 4700          | 7000        | 10600              | 7176  | 2,10,44 | 850                         | 850 | ---  | ---  | ---  | ---  | ---  | ---  | --- | --- |
| F350 SUPER DUTY | 4x2        | Crew Cab  | No         | 8.0 Box     | 5.4L V8       | 4700          | 6830        | 10600              | 7176  | 2,10,44 | 850                         | 850 | ---  | ---  | ---  | ---  | ---  | ---  | --- | --- |
| F350 SUPER DUTY | 4x2        | Crew Cab  | No         | 8.0 Box     | 6.8L V10      | 4850          | 7000        | 10800              | 7176  | 2,10,44 | 450                         | 450 | 850  | 850  | 1000 | 1000 | ---  | ---  | --- | --- |
| F350 SUPER DUTY | 4x2        | Crew Cab  | No         | 8.0 Box     | 6.8L V10      | 4850          | 6830        | 10800              | 7176  | 2,10,44 | 450                         | 450 | 850  | 850  | 1000 | 1000 | ---  | ---  | --- | --- |
| F350 SUPER DUTY | 4x2        | All       | Yes        | Chassis     | All           | All           | All         | 10001              | 7176  | 2,10,44 | ---                         | --- | ---  | ---  | ?    | ?    | ?    | ?    | --- | --- |
| F450 SUPER DUTY | 4x4        | All       | Yes        | Chassis     | All           | All           | All         | 8501               | 7176  | 2,10    | ---                         | --- | ---  | ---  | ?    | ?    | ?    | ?    | --- | --- |
| F450 SUPER DUTY | 4x2        | All       | Yes        | Chassis     | All           | All           | All         | 10001              | 7176  | 2,10,44 | ---                         | --- | ---  | ---  | ?    | ?    | ?    | ?    | --- | --- |
| F550 SUPER DUTY | 4x4        | All       | Yes        | Chassis     | All           | All           | All         | 8501               | 7176  | 2,10    | ---                         | --- | ---  | ---  | ?    | ?    | ?    | ?    | --- | --- |
| F550 SUPER DUTY | 4x2        | All       | Yes        | Chassis     | All           | All           | All         | 10001              | 7176  | 2,10,44 | ---                         | --- | ---  | ---  | ?    | ?    | ?    | ?    | --- | --- |
| F650            | 4x2        | All       | Yes        | Chassis     | All           | All           | All         | 10001              | 2B use 29053 & 29234 or HB5 use 29053 & 29235 | 7172    | 39                          | --- | ---  | ---  | ---  | ---  | ---  | ---  | ?   | ?   |

Notes:  
 1. Ballast amounts are based on a "Representative Vehicle," defined in the vehicle selection guide instructions, and must be modified for all other configurations for axle and GVWR compliance.  
 2. Recommended snowplow prep package whenever available.  
 10. May require bumper or air dam notching.  
 39. 27,500 max GVWR.  
 44. Minimum height required from ground to foremost point on frame bottom is 22.5".

# 2005 Ford

## Section 3

### EZ-V® & XtremeV™ Snowplows



|  |                              |        |        |        |        |        |        |        |
|--|------------------------------|--------|--------|--------|--------|--------|--------|--------|
| Blade Length                                     | 7-1/2'                       | 7-1/2' | 8-1/2' | 8-1/2' | 9-1/2' | 9-1/2' | 8-1/2' | 9-1/2' |
| Blade Assembly                                   | XV SS                        | XV MS  | XV SS  | XV MS  | XV SS  | XV MS  | EZ-V®  | EZ-V®  |
| Blade Part Number                                | 44775                        | 44675  | 44785  | 44685  | 44795  | 44695  | 28885  | 28895  |
| Common Attachment Kit / Headgear Kit             | 44650                        | 44600  | 44650  | 44600  | 44650  | 44600  | 28888  |        |
| Hydraulic Kit                                    | n/a                          |        |        |        |        |        | 9828-4 |        |
| Common Light                                     | n/a                          |        |        |        |        |        | 28800  |        |
| Choose Module                                    | DRLs: 29070, Non-DRLs: 29060 |        |        |        |        |        |        |        |
| Choose a Hand-Held Control or a Joystick Control | 29600                        |        |        |        |        |        | 9800   |        |
|  | 29700                        |        |        |        |        |        | 9900   |        |

| Model           | Body Style | DRW       | Box Option | Engine Type | Min FAWR | Min RAWR | Min GVWR | Peculiar Light Kit | MM2 system                    |       | Ballast Guidelines, lbs (1) |     |     |      |      |     |     |     |      |
|-----------------|------------|-----------|------------|-------------|----------|----------|----------|--------------------|-------------------------------|-------|-----------------------------|-----|-----|------|------|-----|-----|-----|------|
|                 |            |           |            |             |          |          |          |                    | Peculiar Att.Kit              | Notes | 7174                        | 3   | 950 | 950  | ---  | --- | --- | --- | ---  |
| F150            | 4x4        | Reg Cab   | No         | 8.0 Box     | 5.4L V8  | 4300     | 4800     | 8200               | H13 use 29049                 | 7174  | 3                           | 950 | 950 | ---  | ---  | --- | --- | --- | ---  |
| F250 SUPER DUTY | 4x4        | Reg Cab   | No         | 8.0 Box     | 5.4L V8  | 5600     | 6100     | 9000               | H13 use 29049 or 2B use 29051 | 7176  | 2,10                        | 500 | 500 | 550  | 550  | 650 | 650 | 500 | 550  |
| F250 SUPER DUTY | 4x4        | Reg Cab   | No         | 8.0 Box     | 5.4L V8  | 5200     | 6100     | 9000               |                               | 7176  | 2,10                        | 500 | 500 | 550  | 550  | 650 | 650 | 500 | 550  |
| F250 SUPER DUTY | 4x4        | Reg Cab   | No         | 8.0 Box     | 5.4L V8  | 4800     | 6100     | 9000               |                               | 7176  | 2,10                        | --- | --- | ---  | ---  | --- | --- | 900 | ---  |
| F250 SUPER DUTY | 4x4        | Reg Cab   | No         | 8.0 Box     | 6.0L D   | 6000     | 6100     | 9200               |                               | 7176  | 2,10                        | 700 | 700 | 750  | 750  | 850 | 850 | 650 | 700  |
| F250 SUPER DUTY | 4x4        | Reg Cab   | No         | 8.0 Box     | 6.0L D   | 5600     | 6100     | 9200               |                               | 7176  | 2,10                        | 700 | 700 | 750  | 750  | 950 | 950 | 650 | 700  |
| F250 SUPER DUTY | 4x4        | Reg Cab   | No         | 8.0 Box     | 6.8L V10 | 5600     | 6100     | 9200               |                               | 7176  | 2,10                        | 550 | 550 | 600  | 600  | 700 | 700 | 500 | 550  |
| F250 SUPER DUTY | 4x4        | Reg Cab   | No         | 8.0 Box     | 6.8L V10 | 5200     | 6100     | 9200               |                               | 7176  | 2,10                        | 550 | 550 | 600  | 600  | 800 | 800 | 500 | 550  |
| F250 SUPER DUTY | 4x4        | Super Cab | No         | 6.8 Box     | 5.4L V8  | 5600     | 6100     | 9200               |                               | 7176  | 2,10                        | 450 | 450 | 500  | 500  | 600 | 600 | 450 | 500  |
| F250 SUPER DUTY | 4x4        | Super Cab | No         | 6.8 Box     | 5.4L V8  | 5200     | 6100     | 9200               |                               | 7176  | 2,10                        | 450 | 450 | 500  | 500  | 800 | 800 | 450 | 500  |
| F250 SUPER DUTY | 4x4        | Super Cab | No         | 6.8 Box     | 6.0L D   | 6000     | 6100     | 9800               |                               | 7176  | 2,10                        | 650 | 650 | 700  | 700  | 800 | 800 | 650 | 700  |
| F250 SUPER DUTY | 4x4        | Super Cab | No         | 6.8 Box     | 6.0L D   | 5600     | 6100     | 9800               |                               | 7176  | 2,10                        | 650 | 650 | 700  | 700  | --- | --- | 650 | 700  |
| F250 SUPER DUTY | 4x4        | Super Cab | No         | 6.8 Box     | 6.8L V10 | 5600     | 6100     | 9400               |                               | 7176  | 2,10                        | 500 | 500 | 550  | 550  | 650 | 650 | 500 | 550  |
| F250 SUPER DUTY | 4x4        | Super Cab | No         | 6.8 Box     | 6.8L V10 | 5200     | 6100     | 9400               |                               | 7176  | 2,10                        | 500 | 500 | 550  | 550  | --- | --- | 500 | 550  |
| F250 SUPER DUTY | 4x4        | Super Cab | No         | 8.0 Box     | 5.4L V8  | 5600     | 6100     | 9400               |                               | 7176  | 2,10                        | 450 | 450 | 500  | 500  | 600 | 600 | 450 | 500  |
| F250 SUPER DUTY | 4x4        | Super Cab | No         | 8.0 Box     | 5.4L V8  | 5200     | 6100     | 9400               |                               | 7176  | 2,10                        | 450 | 450 | 500  | 500  | --- | --- | 450 | 500  |
| F250 SUPER DUTY | 4x4        | Super Cab | No         | 8.0 Box     | 6.0L D   | 6000     | 6100     | 10000              |                               | 7176  | 2,10                        | 650 | 650 | 700  | 700  | 800 | 800 | 650 | 700  |
| F250 SUPER DUTY | 4x4        | Super Cab | No         | 8.0 Box     | 6.0L D   | 5600     | 6100     | 10000              |                               | 7176  | 2,10                        | 650 | 650 | 1000 | 1000 | --- | --- | 650 | 900  |
| F250 SUPER DUTY | 4x4        | Super Cab | No         | 8.0 Box     | 6.8L V10 | 5600     | 6100     | 9600               |                               | 7176  | 2,10                        | 500 | 500 | 550  | 550  | 650 | 650 | 500 | 550  |
| F250 SUPER DUTY | 4x4        | Super Cab | No         | 8.0 Box     | 6.8L V10 | 5200     | 6100     | 9600               |                               | 7176  | 2,10                        | 500 | 500 | 800  | 800  | --- | --- | 500 | 700  |
| F250 SUPER DUTY | 4x4        | Crew Cab  | No         | 6.8 Box     | 5.4L V8  | 5600     | 6100     | 9400               |                               | 7176  | 2,10                        | 450 | 450 | 500  | 500  | 600 | 600 | 400 | 450  |
| F250 SUPER DUTY | 4x4        | Crew Cab  | No         | 6.8 Box     | 5.4L V8  | 5200     | 6100     | 9400               |                               | 7176  | 2,10                        | 450 | 450 | 500  | 500  | --- | --- | 400 | 450  |
| F250 SUPER DUTY | 4x4        | Crew Cab  | No         | 6.8 Box     | 6.0L D   | 6000     | 6100     | 10000              |                               | 7176  | 2,10                        | 600 | 600 | 650  | 650  | 750 | 750 | 600 | 650  |
| F250 SUPER DUTY | 4x4        | Crew Cab  | No         | 6.8 Box     | 6.0L D   | 5600     | 6100     | 10000              |                               | 7176  | 2,10                        | 750 | 750 | ---  | ---  | --- | --- | 600 | 1000 |
| F250 SUPER DUTY | 4x4        | Crew Cab  | No         | 6.8 Box     | 6.8L V10 | 5600     | 6100     | 9600               |                               | 7176  | 2,10                        | 450 | 450 | 500  | 500  | 600 | 600 | 450 | 500  |
| F250 SUPER DUTY | 4x4        | Crew Cab  | No         | 6.8 Box     | 6.8L V10 | 5200     | 6100     | 9600               |                               | 7176  | 2,10                        | 550 | 550 | 900  | 900  | --- | --- | 450 | 800  |
| F250 SUPER DUTY | 4x4        | Crew Cab  | No         | 8.0 Box     | 5.4L V8  | 5600     | 6100     | 9600               |                               | 7176  | 2,10                        | 450 | 450 | 500  | 500  | 600 | 600 | 400 | 450  |
| F250 SUPER DUTY | 4x4        | Crew Cab  | No         | 8.0 Box     | 5.4L V8  | 5200     | 6100     | 9600               |                               | 7176  | 2,10                        | 700 | 700 | ---  | ---  | --- | --- | 550 | 950  |
| F250 SUPER DUTY | 4x4        | Crew Cab  | No         | 8.0 Box     | 6.8L V10 | 6000     | 6100     | 10000              |                               | 7176  | 2,10                        | 650 | 650 | 700  | 700  | 800 | 800 | 600 | 650  |
| F250 SUPER DUTY | 4x4        | Crew Cab  | No         | 8.0 Box     | 6.8L V10 | 5600     | 6100     | 9800               | 7176                          | 2,10  | 500                         | 500 | 550 | 550  | 650  | 650 | 450 | 500 |      |
| F250 SUPER DUTY | 4x4        | Crew Cab  | No         | 8.0 Box     | 6.8L V10 | 5200     | 6100     | 9800               | 7176                          | 2,10  | ---                         | --- | --- | ---  | ---  | --- | 950 | --- |      |
| F250 SUPER DUTY | 4x4        | All       | No         | Chassis     | All      | All      | All      | 8501               | 7176                          | 2,10  | ?                           | ?   | ?   | ?    | ?    | ?   | ?   | ?   |      |

Notes:  
 1. Ballast amounts are based on a "Representative Vehicle," defined in the vehicle selection guide instructions, and must be modified for all other configurations for axle and GVWR compliance.  
 2. Recommended snowplow prep package whenever available.

3. Requires bumper notching.  
 10. May require bumper or air dam notching.

# 2005 Ford

## Section 3

### EZ-V® & XtremeV™ Snowplows



|  |                              |        |        |        |        |        |        |        |
|--|------------------------------|--------|--------|--------|--------|--------|--------|--------|
| Blade Length                                     | 7-1/2'                       | 7-1/2' | 8-1/2' | 8-1/2' | 9-1/2' | 9-1/2' | 8-1/2' | 9-1/2' |
| Blade Assembly                                   | XV SS                        | XV MS  | XV SS  | XV MS  | XV SS  | XV MS  | EZ-V®  | EZ-V®  |
| Blade Part Number                                | 44775                        | 44675  | 44785  | 44685  | 44795  | 44695  | 28885  | 28895  |
| Common Attachment Kit / Headgear Kit             | 44650                        | 44600  | 44650  | 44600  | 44650  | 44600  | 28888  |        |
| Hydraulic Kit                                    | n/a                          |        |        |        |        |        | 9828-4 |        |
| Common Light                                     | n/a                          |        |        |        |        |        | 28800  |        |
| Choose Module                                    | DRLs: 29070, Non-DRLs: 29060 |        |        |        |        |        |        |        |
| Choose a Hand-Held Control or a Joystick Control | 29600                        |        |        |        |        |        | 9800   |        |
|  | 29700                        |        |        |        |        |        | 9900   |        |

| Model           | Body Style | DRW       | Box Option | Engine Type | Min F G A W R | Min R G A W R | Min G V W R | Peculiar Light Kit | MM2 system       |                               | Ballast Guidelines, lbs (1) |      |     |     |     |     |      |      |     |     |
|-----------------|------------|-----------|------------|-------------|---------------|---------------|-------------|--------------------|------------------|-------------------------------|-----------------------------|------|-----|-----|-----|-----|------|------|-----|-----|
|                 |            |           |            |             |               |               |             |                    | Peculiar Att.Kit | Notes                         | 7176                        | 2,10 | 500 | 500 | 550 | 550 | 650  | 650  | 450 | 500 |
| F350 SUPER DUTY | 4x4        | Reg Cab   | No         | 8.0 Box     | 5.4L V8       | 5600          | 7000        | 10500              |                  |                               | 7176                        | 2,10 | 500 | 500 | 550 | 550 | 650  | 650  | 450 | 500 |
| F350 SUPER DUTY | 4x4        | Reg Cab   | No         | 8.0 Box     | 5.4L V8       | 5200          | 7000        | 10500              |                  |                               | 7176                        | 2,10 | 500 | 500 | 550 | 550 | 650  | 650  | 450 | 500 |
| F350 SUPER DUTY | 4x4        | Reg Cab   | No         | 8.0 Box     | 5.4L V8       | 4800          | 7000        | 10500              |                  |                               | 7176                        | 2,10 | --- | --- | --- | --- | ---  | ---  | 950 | --- |
| F350 SUPER DUTY | 4x4        | Reg Cab   | No         | 8.0 Box     | 6.0L D        | 6000          | 7000        | 11000              |                  |                               | 7176                        | 2,10 | 650 | 650 | 700 | 700 | 800  | 800  | 650 | 700 |
| F350 SUPER DUTY | 4x4        | Reg Cab   | No         | 8.0 Box     | 6.0L D        | 5600          | 7000        | 11000              |                  |                               | 7176                        | 2,10 | 650 | 650 | 700 | 700 | 1000 | 1000 | 650 | 700 |
| F350 SUPER DUTY | 4x4        | Reg Cab   | No         | 8.0 Box     | 6.8L V10      | 5600          | 7000        | 10700              |                  |                               | 7176                        | 2,10 | 500 | 500 | 550 | 550 | 700  | 700  | 500 | 550 |
| F350 SUPER DUTY | 4x4        | Reg Cab   | No         | 8.0 Box     | 6.8L V10      | 5200          | 7000        | 10700              |                  |                               | 7176                        | 2,10 | 500 | 500 | 550 | 550 | 800  | 800  | 500 | 550 |
| F350 SUPER DUTY | 4x4        | Reg Cab   | Yes        | 8.0 Box     | 5.4L V8       | 5600          | 9000        | 12000              |                  |                               | 7176                        | 2,10 | --- | --- | 350 | 350 | 450  | 450  | 300 | 350 |
| F350 SUPER DUTY | 4x4        | Reg Cab   | Yes        | 8.0 Box     | 5.4L V8       | 5200          | 9000        | 12000              |                  |                               | 7176                        | 2,10 | --- | --- | 350 | 350 | 600  | 600  | 300 | 350 |
| F350 SUPER DUTY | 4x4        | Reg Cab   | Yes        | 8.0 Box     | 6.0L D        | 6000          | 9000        | 12600              |                  |                               | 7176                        | 2,10 | --- | --- | 550 | 550 | 650  | 650  | 450 | 500 |
| F350 SUPER DUTY | 4x4        | Reg Cab   | Yes        | 8.0 Box     | 6.0L D        | 5600          | 9000        | 12600              |                  |                               | 7176                        | 2,10 | --- | --- | 550 | 550 | ---  | ---  | 450 | 500 |
| F350 SUPER DUTY | 4x4        | Reg Cab   | Yes        | 8.0 Box     | 6.8L V10      | 5600          | 9000        | 12200              |                  |                               | 7176                        | 2,10 | --- | --- | 400 | 400 | 500  | 500  | 300 | 350 |
| F350 SUPER DUTY | 4x4        | Reg Cab   | Yes        | 8.0 Box     | 6.8L V10      | 5200          | 9000        | 12200              |                  |                               | 7176                        | 2,10 | --- | --- | 400 | 400 | 950  | 950  | 300 | 350 |
| F350 SUPER DUTY | 4x4        | Super Cab | No         | 6.8 Box     | 5.4L V8       | 5600          | 7000        | 10600              |                  |                               | 7176                        | 2,10 | 450 | 450 | 500 | 500 | 600  | 600  | 400 | 450 |
| F350 SUPER DUTY | 4x4        | Super Cab | No         | 6.8 Box     | 5.4L V8       | 5200          | 7000        | 10600              |                  |                               | 7176                        | 2,10 | 450 | 450 | 500 | 500 | 800  | 800  | 400 | 450 |
| F350 SUPER DUTY | 4x4        | Super Cab | No         | 6.8 Box     | 6.0L D        | 6000          | 7000        | 11200              |                  |                               | 7176                        | 2,10 | 650 | 650 | 650 | 650 | 800  | 800  | 600 | 650 |
| F350 SUPER DUTY | 4x4        | Super Cab | No         | 6.8 Box     | 6.0L D        | 5600          | 7000        | 11200              |                  |                               | 7176                        | 2,10 | 650 | 650 | 650 | 650 | ---  | ---  | 600 | 650 |
| F350 SUPER DUTY | 4x4        | Super Cab | No         | 6.8 Box     | 6.8L V10      | 5600          | 7000        | 10800              |                  |                               | 7176                        | 2,10 | 500 | 500 | 550 | 550 | 650  | 650  | 450 | 500 |
| F350 SUPER DUTY | 4x4        | Super Cab | No         | 6.8 Box     | 6.8L V10      | 5200          | 7000        | 10800              |                  | H13 use 29049 or 2B use 29051 | 7176                        | 2,10 | 500 | 500 | 550 | 550 | ---  | ---  | 450 | 500 |
| F350 SUPER DUTY | 4x4        | Super Cab | No         | 8.0 Box     | 5.4L V8       | 5600          | 7000        | 10800              |                  |                               | 7176                        | 2,10 | 450 | 450 | 500 | 500 | 600  | 600  | 400 | 450 |
| F350 SUPER DUTY | 4x4        | Super Cab | No         | 8.0 Box     | 5.4L V8       | 5200          | 7000        | 10800              |                  |                               | 7176                        | 2,10 | 450 | 450 | 500 | 500 | ---  | ---  | 400 | 450 |
| F350 SUPER DUTY | 4x4        | Super Cab | No         | 8.0 Box     | 6.0L D        | 6000          | 7000        | 11400              |                  |                               | 7176                        | 2,10 | 650 | 650 | 700 | 700 | 800  | 800  | 600 | 650 |
| F350 SUPER DUTY | 4x4        | Super Cab | No         | 8.0 Box     | 6.0L D        | 5600          | 7000        | 11400              |                  |                               | 7176                        | 2,10 | 700 | 700 | --- | --- | ---  | ---  | 600 | 950 |
| F350 SUPER DUTY | 4x4        | Super Cab | No         | 8.0 Box     | 6.8L V10      | 5600          | 7000        | 11000              |                  |                               | 7176                        | 2,10 | 500 | 500 | 550 | 550 | 650  | 650  | 450 | 500 |
| F350 SUPER DUTY | 4x4        | Super Cab | No         | 8.0 Box     | 6.8L V10      | 5200          | 7000        | 11000              |                  |                               | 7176                        | 2,10 | 500 | 500 | 850 | 850 | ---  | ---  | 450 | 750 |
| F350 SUPER DUTY | 4x4        | Super Cab | Yes        | 8.0 Box     | 5.4L V8       | 5600          | 9000        | 12400              |                  |                               | 7176                        | 2,10 | --- | --- | 300 | 300 | 400  | 400  | 250 | 300 |
| F350 SUPER DUTY | 4x4        | Super Cab | Yes        | 8.0 Box     | 5.4L V8       | 5200          | 9000        | 12400              |                  |                               | 7176                        | 2,10 | --- | --- | 600 | 600 | ---  | ---  | 250 | 500 |
| F350 SUPER DUTY | 4x4        | Super Cab | Yes        | 8.0 Box     | 6.0L D        | 6000          | 9000        | 13000              |                  |                               | 7176                        | 2,10 | --- | --- | 500 | 500 | 600  | 600  | 450 | 500 |
| F350 SUPER DUTY | 4x4        | Super Cab | Yes        | 8.0 Box     | 6.0L D        | 5600          | 9000        | 13000              |                  |                               | 7176                        | 2,10 | --- | --- | --- | --- | ---  | ---  | 700 | --- |
| F350 SUPER DUTY | 4x4        | Super Cab | Yes        | 8.0 Box     | 6.8L V10      | 6000          | 9000        | 12600              |                  |                               | 7176                        | 2,10 | --- | --- | 350 | 350 | 450  | 450  | 300 | 350 |
| F350 SUPER DUTY | 4x4        | Super Cab | Yes        | 8.0 Box     | 6.8L V10      | 5600          | 9000        | 12600              |                  |                               | 7176                        | 2,10 | --- | --- | 350 | 350 | 450  | 450  | 300 | 350 |
| F350 SUPER DUTY | 4x4        | Super Cab | Yes        | 8.0 Box     | 6.8L V10      | 5200          | 9000        | 12600              |                  |                               | 7176                        | 2,10 | --- | --- | 950 | 950 | ---  | ---  | 500 | 850 |
| F350 SUPER DUTY | 4x4        | Crew Cab  | No         | 6.8 Box     | 5.4L V8       | 5600          | 7000        | 10800              |                  |                               | 7176                        | 2,10 | 400 | 400 | 450 | 450 | 550  | 550  | 400 | 450 |
| F350 SUPER DUTY | 4x4        | Crew Cab  | No         | 6.8 Box     | 5.4L V8       | 5200          | 7000        | 10800              |                  |                               | 7176                        | 2,10 | 400 | 400 | 450 | 450 | ---  | ---  | 400 | 450 |
| F350 SUPER DUTY | 4x4        | Crew Cab  | No         | 6.8 Box     | 6.0L D        | 6000          | 7000        | 11400              |                  |                               | 7176                        | 2,10 | 600 | 600 | 650 | 650 | 750  | 750  | 550 | 600 |
| F350 SUPER DUTY | 4x4        | Crew Cab  | No         | 6.8 Box     | 6.0L D        | 5600          | 7000        | 11400              |                  |                               | 7176                        | 2,10 | 800 | 800 | --- | --- | ---  | ---  | 650 | --- |

- Notes:**
- Ballast amounts are based on a "Representative Vehicle," defined in the vehicle selection guide instructions, and must be modified for all other configurations for axle and GVWR compliance.
  - Recommended snowplow prep package whenever available.
  - May require bumper or air dam notching.

# 2005 Ford

## Section 3

### EZ-V® & XtremeV™ Snowplows



|  |                              |        |        |        |        |        |        |        |
|--|------------------------------|--------|--------|--------|--------|--------|--------|--------|
| Blade Length                                     | 7-1/2'                       | 7-1/2' | 8-1/2' | 8-1/2' | 9-1/2' | 9-1/2' | 8-1/2' | 9-1/2' |
| Blade Assembly                                   | XV SS                        | XV MS  | XV SS  | XV MS  | XV SS  | XV MS  | EZ-V®  | EZ-V®  |
| Blade Part Number                                | 44775                        | 44675  | 44785  | 44685  | 44795  | 44695  | 28885  | 28895  |
| Common Attachment Kit / Headgear Kit             | 44650                        | 44600  | 44650  | 44600  | 44650  | 44600  | 28888  |        |
| Hydraulic Kit                                    | n/a                          |        |        |        |        |        | 9828-4 |        |
| Common Light                                     | n/a                          |        |        |        |        |        | 28800  |        |
| Choose Module                                    | DRLs: 29070, Non-DRLs: 29060 |        |        |        |        |        |        |        |
| Choose a Hand-Held Control or a Joystick Control | 29600                        |        |        |        |        |        | 9800   |        |
|  | 29700                        |        |        |        |        |        | 9900   |        |

| Model           | Body Style | DRW       | Box Option | Engine Type | Min F G A W R | Min R G A W R | Min G V W R | Peculiar Light Kit | MM2 system                    |       | Ballast Guidelines, lbs (1) |         |      |      |     |     |     |     |      |      |
|-----------------|------------|-----------|------------|-------------|---------------|---------------|-------------|--------------------|-------------------------------|-------|-----------------------------|---------|------|------|-----|-----|-----|-----|------|------|
|                 |            |           |            |             |               |               |             |                    | Peculiar Att.Kit              | Notes | 7176                        | 2,10    | 450  | 450  | 500 | 500 | 600 | 600 | 400  | 450  |
| F350 SUPER DUTY | 4x4        | Crew Cab  | No         | 6.8 Box     | 6.8L V10      | 5600          | 7000        | 11000              |                               |       | 7176                        | 2,10    | 450  | 450  | 500 | 500 | 600 | 600 | 400  | 450  |
| F350 SUPER DUTY | 4x4        | Crew Cab  | No         | 6.8 Box     | 6.8L V10      | 5200          | 7000        | 11000              |                               |       | 7176                        | 2,10    | 600  | 600  | 950 | 950 | --- | --- | 450  | 850  |
| F350 SUPER DUTY | 4x4        | Crew Cab  | No         | 8.0 Box     | 5.4L V8       | 6000          | 7000        | 11000              |                               |       | 7176                        | 2,10    | 400  | 400  | 450 | 450 | 550 | 550 | 400  | 450  |
| F350 SUPER DUTY | 4x4        | Crew Cab  | No         | 8.0 Box     | 5.4L V8       | 5600          | 7000        | 11000              |                               |       | 7176                        | 2,10    | 400  | 400  | 450 | 450 | 550 | 550 | 400  | 450  |
| F350 SUPER DUTY | 4x4        | Crew Cab  | No         | 8.0 Box     | 5.4L V8       | 5200          | 7000        | 11000              |                               |       | 7176                        | 2,10    | 750  | 750  | --- | --- | --- | --- | 600  | 1000 |
| F350 SUPER DUTY | 4x4        | Crew Cab  | No         | 8.0 Box     | 6.0L D        | 6000          | 7000        | 11500              |                               |       | 7176                        | 2,10    | 600  | 600  | 650 | 650 | 750 | 750 | 600  | 650  |
| F350 SUPER DUTY | 4x4        | Crew Cab  | No         | 8.0 Box     | 6.8L V10      | 6000          | 7000        | 11200              |                               |       | 7176                        | 2,10    | 450  | 450  | 500 | 500 | 600 | 600 | 450  | 500  |
| F350 SUPER DUTY | 4x4        | Crew Cab  | No         | 8.0 Box     | 6.8L V10      | 5600          | 7000        | 11200              |                               |       | 7176                        | 2,10    | 450  | 450  | 500 | 500 | 600 | 600 | 450  | 500  |
| F350 SUPER DUTY | 4x4        | Crew Cab  | No         | 8.0 Box     | 6.8L V10      | 5200          | 7000        | 11200              |                               |       | 7176                        | 2,10    | ---  | ---  | --- | --- | --- | --- | 1000 | ---  |
| F350 SUPER DUTY | 4x4        | Crew Cab  | Yes        | 6.8 Box     | 6.0L D        | 6000          | 9000        | 13000              |                               |       | 7176                        | 2,10    | ---  | ---  | 450 | 450 | 550 | 550 | 400  | 450  |
| F350 SUPER DUTY | 4x4        | Crew Cab  | Yes        | 6.8 Box     | 6.0L D        | 5600          | 9000        | 13000              |                               |       | 7176                        | 2,10    | ---  | ---  | --- | --- | --- | --- | 800  | ---  |
| F350 SUPER DUTY | 4x4        | Crew Cab  | Yes        | 6.8 Box     | 6.8L V10      | 5600          | 9000        | 12600              |                               |       | 7176                        | 2,10    | ---  | ---  | 300 | 300 | 400 | 400 | 250  | 300  |
| F350 SUPER DUTY | 4x4        | Crew Cab  | Yes        | 6.8 Box     | 6.8L V10      | 5200          | 9000        | 12600              |                               |       | 7176                        | 2,10    | ---  | ---  | --- | --- | --- | --- | 600  | 950  |
| F350 SUPER DUTY | 4x4        | Crew Cab  | Yes        | 8.0 Box     | 6.0L D        | 6000          | 9000        | 13000              |                               |       | 7176                        | 2,10    | ---  | ---  | 450 | 450 | 700 | 700 | 400  | 450  |
| F350 SUPER DUTY | 4x4        | Crew Cab  | Yes        | 8.0 Box     | 6.8L V10      | 6000          | 9000        | 12600              |                               |       | 7176                        | 2,10    | ---  | ---  | 300 | 300 | 400 | 400 | 250  | 300  |
| F350 SUPER DUTY | 4x4        | Crew Cab  | Yes        | 8.0 Box     | 6.8L V10      | 5600          | 9000        | 12600              |                               |       | 7176                        | 2,10    | ---  | ---  | 300 | 300 | 450 | 450 | 250  | 300  |
| F350 SUPER DUTY | 4x4        | All       | Yes        | Chassis     | All           | All           | All         | 8501               |                               |       | 7176                        | 2,10    | ---  | ---  | ?   | ?   | ?   | ?   | ?    | ?    |
| F350 SUPER DUTY | 4x2        | Reg Cab   | Yes        | 8.0 Box     | 6.8L V10      | 4400          | 9000        | 12000              | H13 use 29049 or 2B use 29051 |       | 7176                        | 2,10,44 | ---  | ---  | --- | --- | --- | --- | 950  | ---  |
| F350 SUPER DUTY | 4x2        | Super Cab | No         | 8.0 Box     | 5.4L V8       | 4700          | 7000        | 10400              |                               |       | 7176                        | 2,10,44 | 600  | 600  | 950 | 950 | --- | --- | 500  | 850  |
| F350 SUPER DUTY | 4x2        | Super Cab | No         | 8.0 Box     | 5.4L V8       | 4700          | 6830        | 10400              |                               |       | 7176                        | 2,10,44 | 600  | 600  | 950 | 950 | --- | --- | 500  | 850  |
| F350 SUPER DUTY | 4x2        | Super Cab | No         | 8.0 Box     | 6.8L V10      | 4700          | 7000        | 10600              |                               |       | 7176                        | 2,10,44 | 1000 | 1000 | --- | --- | --- | --- | 850  | ---  |
| F350 SUPER DUTY | 4x2        | Super Cab | No         | 8.0 Box     | 6.8L V10      | 4700          | 6830        | 10600              |                               |       | 7176                        | 2,10,44 | 1000 | 1000 | --- | --- | --- | --- | 850  | ---  |
| F350 SUPER DUTY | 4x2        | Super Cab | Yes        | 8.0 Box     | 5.4L V8       | 4700          | 9000        | 12200              |                               |       | 7176                        | 2,10,44 | ---  | ---  | --- | --- | --- | --- | 600  | 1000 |
| F350 SUPER DUTY | 4x2        | Super Cab | Yes        | 8.0 Box     | 6.8L V10      | 4850          | 9000        | 12400              |                               |       | 7176                        | 2,10,44 | ---  | ---  | 750 | 750 | --- | --- | 300  | 650  |
| F350 SUPER DUTY | 4x2        | Super Cab | Yes        | 8.0 Box     | 6.8L V10      | 4700          | 9000        | 12400              |                               |       | 7176                        | 2,10,44 | ---  | ---  | --- | --- | --- | --- | 950  | ---  |
| F350 SUPER DUTY | 4x2        | Crew Cab  | No         | 6.8 Box     | 6.8L V10      | 4700          | 7000        | 10600              |                               |       | 7176                        | 2,10,44 | ---  | ---  | --- | --- | --- | --- | 950  | ---  |
| F350 SUPER DUTY | 4x2        | Crew Cab  | No         | 6.8 Box     | 6.8L V10      | 4700          | 6830        | 10600              |                               |       | 7176                        | 2,10,44 | ---  | ---  | --- | --- | --- | --- | 950  | ---  |
| F350 SUPER DUTY | 4x2        | Crew Cab  | No         | 8.0 Box     | 5.4L V8       | 4850          | 7000        | 10600              |                               |       | 7176                        | 2,10,44 | 450  | 450  | 850 | 850 | --- | --- | 350  | 750  |
| F350 SUPER DUTY | 4x2        | Crew Cab  | No         | 8.0 Box     | 5.4L V8       | 4850          | 6830        | 10600              |                               |       | 7176                        | 2,10,44 | 450  | 450  | 850 | 850 | --- | --- | 350  | 750  |
| F350 SUPER DUTY | 4x2        | Crew Cab  | No         | 8.0 Box     | 6.8L V10      | 4850          | 7000        | 10800              |                               |       | 7176                        | 2,10,44 | 850  | 850  | --- | --- | --- | --- | 700  | ---  |
| F350 SUPER DUTY | 4x2        | Crew Cab  | No         | 8.0 Box     | 6.8L V10      | 4850          | 6830        | 10800              |                               |       | 7176                        | 2,10,44 | 850  | 850  | --- | --- | --- | --- | 700  | ---  |
| F350 SUPER DUTY | 4x2        | Crew Cab  | Yes        | 8.0 Box     | 6.8L V10      | 4850          | 9000        | 12600              |                               |       | 7176                        | 2,10,44 | ---  | ---  | --- | --- | --- | --- | 850  | ---  |
| F350 SUPER DUTY | 4x2        | All       | Yes        | Chassis     | All           | All           | All         | 10001              |                               |       | 7176                        | 2,10,44 | ---  | ---  | ?   | ?   | ?   | ?   | ?    | ?    |
| F450 SUPER DUTY | 4x4        | All       | Yes        | Chassis     | All           | All           | All         | 8501               |                               |       | 7176                        | 2,10    | ---  | ---  | ?   | ?   | ?   | ?   | ?    | ?    |
| F450 SUPER DUTY | 4x2        | All       | Yes        | Chassis     | All           | All           | All         | 10001              |                               |       | 7176                        | 2,10,44 | ---  | ---  | ?   | ?   | ?   | ?   | ?    | ?    |
| F550 SUPER DUTY | 4x4        | All       | Yes        | Chassis     | All           | All           | All         | 8501               |                               |       | 7176                        | 2,10    | ---  | ---  | ?   | ?   | ?   | ?   | ?    | ?    |
| F550 SUPER DUTY | 4x2        | All       | Yes        | Chassis     | All           | All           | All         | 10001              |                               |       | 7176                        | 2,10,44 | ---  | ---  | ?   | ?   | ?   | ?   | ?    | ?    |

Notes:  
 1. Ballast amounts are based on a "Representative Vehicle," defined in the vehicle selection guide instructions, and must be modified for all other configurations for axle and GVWR compliance.  
 2. Recommended snowplow prep package whenever available.  
 10. May require bumper or air dam notching.  
 44. Minimum height required from ground to foremost point on frame bottom is 22.5".

# 2005 Dodge

## Section 1

### Homesteader™, LD-Series & M-Series Snowplows



|   |                                 |          |
|---|---------------------------------|----------|
| Blade Length  | 6'-8"                           | 7'-4"    |
| Blade Assembly                                      | Personal                        | Personal |
| Blade Part Number                                   | 27547                           | 27549    |
| Common Attachment Kit / Headgear Kit                | 27550                           |          |
| Hydraulic Kit                                       | 27517                           |          |
| Common Light  | 8435                            |          |
| Choose Module                                       | DRLs: 29070,<br>Non-DRLs: 29060 |          |
| Choose a Hand-Held Control<br>or a Joystick Control | 9400                            |          |
|   | 8292                            |          |



|                              |               |                 |            |                 |            |
|------------------------------|---------------|-----------------|------------|-----------------|------------|
| 6'-9"<br>LD                  | 7'-1/2"<br>LD | 7'-1/2"<br>RD M | 8'<br>HD M | 8'-1/2"<br>HD M | 9'<br>HD M |
| 28069                        | 27775         | 27500           | 28000      | 28500           | 29000      |
| 27750-1                      |               |                 | 27777      |                 |            |
| 9825-1                       |               |                 | 9840-2     |                 |            |
| 28800                        |               |                 |            |                 |            |
| DRLs: 29070, Non-DRLs: 29060 |               |                 |            |                 |            |
| 9400                         |               |                 |            |                 |            |
| 8292                         |               |                 |            |                 |            |

| Model                        | Body Style | DRW      | Box Option | Engine Type | Min F G A W R | Min R G A W R | Min G V W R | Peculiar Light Kit | Personal Plow system |       | Ballast Guidelines, lbs (1) | MM2 system       |       | Ballast Guidelines, lbs (1) |     |     |     |     |     |     |     |     |
|------------------------------|------------|----------|------------|-------------|---------------|---------------|-------------|--------------------|----------------------|-------|-----------------------------|------------------|-------|-----------------------------|-----|-----|-----|-----|-----|-----|-----|-----|
|                              |            |          |            |             |               |               |             |                    | Peculiar Att.Kit     | Notes |                             | Peculiar Att.Kit | Notes |                             |     |     |     |     |     |     |     |     |
| DURANGO ST                   | 4x4        | SU-4DR   | No         | ---         | 3.7L V6       | 3600          | 3900        | 6600               | 33903                | 3,8   | ---                         | 0                | n/a   | ---                         | --- | --- | --- | --- | --- | --- | --- | --- |
| DURANGO SLT                  | 4x4        | SU-4DR   | No         | ---         | 4.7L V8       | 3600          | 3900        | 6600               | 33903                | 3,8   | ---                         | 0                | n/a   | ---                         | --- | --- | --- | --- | --- | --- | --- | --- |
| DURANGO SLT                  | 4x4        | SU-4DR   | No         | ---         | 5.7L V8       | 3600          | 3900        | 6600               | 33903                | 3,8   | ---                         | 0                | n/a   | ---                         | --- | --- | --- | --- | --- | --- | --- | --- |
| DURANGO LIMITED              | 4x4        | SU-4DR   | No         | ---         | 4.7L V8       | 3600          | 3900        | 6600               | 33903                | 3,8   | ---                         | 0                | n/a   | ---                         | --- | --- | --- | --- | --- | --- | --- | --- |
| DURANGO LIMITED              | 4x4        | SU-4DR   | No         | ---         | 5.7L V8       | 3600          | 3900        | 6600               | 33903                | 3,8   | ---                         | 0                | n/a   | ---                         | --- | --- | --- | --- | --- | --- | --- | --- |
| DURANGO SLT +50/50 rear seat | 4x4        | SU-4DR   | No         | ---         | 4.7L V8       | 3600          | 3900        | 6600               | 33903                | 3,8   | ---                         | 0                | n/a   | ---                         | --- | --- | --- | --- | --- | --- | --- | --- |
| DURANGO SLT +50/50 rear seat | 4x4        | SU-4DR   | No         | ---         | 5.7L V8       | 3600          | 3900        | 6600               | 33903                | 3,8   | ---                         | 0                | n/a   | ---                         | --- | --- | --- | --- | --- | --- | --- | --- |
| DAKOTA ST                    | 4x4        | Club Cab | No         | 6.5 Box     | 3.7L V6       | 3600          | 3806        | 6010               | 33903                | 8     | ---                         | 50               | 7178  | 3                           | --- | 250 | --- | --- | --- | --- | --- | --- |
| DAKOTA ST                    | 4x4        | Club Cab | No         | 6.5 Box     | 4.7L V8       | 3600          | 3806        | 6010               | 33903                | 8     | ---                         | 100              | 7178  | 3                           | --- | 300 | --- | --- | --- | --- | --- | --- |
| DAKOTA ST                    | 4x4        | Quad Cab | No         | 5.3 Box     | 3.7L V6       | 3600          | 3806        | 6010               | 33903                | 8     | ---                         | 0                | 7178  | 3                           | --- | 200 | --- | --- | --- | --- | --- | --- |
| DAKOTA ST                    | 4x4        | Quad Cab | No         | 5.3 Box     | 4.7L V8       | 3600          | 3806        | 6010               | 33903                | 8     | ---                         | 0                | 7178  | 3                           | --- | 200 | --- | --- | --- | --- | --- | --- |
| DAKOTA SLT                   | 4x4        | Club Cab | No         | 6.5 Box     | 3.7L V6       | 3600          | 3600        | 6010               | 33903                | 8     | ---                         | 50               | 7178  | 3                           | --- | 250 | --- | --- | --- | --- | --- | --- |
| DAKOTA SLT                   | 4x4        | Club Cab | No         | 6.5 Box     | 4.7L V8       | 3600          | 3600        | 6010               | 33903                | 8     | ---                         | 100              | 7178  | 3                           | --- | 300 | --- | --- | --- | --- | --- | --- |
| DAKOTA SLT                   | 4x4        | Quad Cab | No         | 5.3 Box     | 3.7L V6       | 3600          | 3600        | 6010               | 33903                | 8     | ---                         | 0                | 7178  | 3                           | --- | 200 | --- | --- | --- | --- | --- | --- |
| DAKOTA SLT                   | 4x4        | Quad Cab | No         | 5.3 Box     | 4.7L V8       | 3600          | 3600        | 6010               | 33903                | 8     | ---                         | 0                | 7178  | 3                           | --- | 200 | --- | --- | --- | --- | --- | --- |
| DAKOTA SLT                   | 4x4        | Quad Cab | No         | 5.3 Box     | 4.7L V8 HO    | 3600          | 3600        | 6010               | 33903                | 8     | ---                         | 50               | 7178  | 3                           | --- | 250 | --- | --- | --- | --- | --- | --- |
| DAKOTA LARAMIE               | 4x4        | Club Cab | No         | 6.5 Box     | 3.7L V6       | 3600          | 3600        | 6010               | 33903                | 8     | ---                         | 50               | 7178  | 3                           | --- | 250 | --- | --- | --- | --- | --- | --- |
| DAKOTA LARAMIE               | 4x4        | Club Cab | No         | 6.5 Box     | 4.7L V8       | 3600          | 3600        | 6010               | 33903                | 8     | ---                         | 100              | 7178  | 3                           | --- | 250 | --- | --- | --- | --- | --- | --- |
| DAKOTA LARAMIE               | 4x4        | Quad Cab | No         | 5.3 Box     | 3.7L V6       | 3600          | 3600        | 6010               | 33903                | 8     | ---                         | 0                | 7178  | 3                           | --- | 200 | --- | --- | --- | --- | --- | --- |
| DAKOTA LARAMIE               | 4x4        | Quad Cab | No         | 5.3 Box     | 4.7L V8       | 3600          | 3600        | 6010               | 33903                | 8     | ---                         | 0                | 7178  | 3                           | --- | 350 | --- | --- | --- | --- | --- | --- |
| DAKOTA LARAMIE               | 4x4        | Quad Cab | No         | 5.3 Box     | 4.7L V8 HO    | 3600          | 3600        | 6010               | 33903                | 8     | ---                         | 0                | 7178  | 3                           | --- | 350 | --- | --- | --- | --- | --- | --- |
| RAM 1500 ST                  | 4x4        | Reg Cab  | No         | 6.5 Box     | 4.7L FFV      | 3900          | 3900        | 6350               | n/a                  | ---   | ---                         | ---              | 7167  | ---                         | --- | 300 | --- | --- | --- | --- | --- | --- |
| RAM 1500 ST                  | 4x4        | Reg Cab  | No         | 6.5 Box     | 4.7L V8       | 3900          | 3900        | 6350               | n/a                  | ---   | ---                         | ---              | 7167  | ---                         | --- | 300 | --- | --- | --- | --- | --- | --- |
| RAM 1500 ST                  | 4x4        | Reg Cab  | No         | 6.5 Box     | 5.7L V8       | 3900          | 3900        | 6350               | n/a                  | ---   | ---                         | ---              | 7167  | ---                         | --- | 250 | --- | --- | --- | --- | --- | --- |
| RAM 1500 ST                  | 4x4        | Reg Cab  | No         | 8.0 Box     | 4.7L V8       | 3900          | 3900        | 6550               | n/a                  | ---   | ---                         | ---              | 7167  | ---                         | --- | 350 | --- | --- | --- | --- | --- | --- |
| RAM 1500 ST                  | 4x4        | Reg Cab  | No         | 8.0 Box     | 4.7L V8       | 3900          | 3900        | 6550               | n/a                  | ---   | ---                         | ---              | 7167  | ---                         | --- | 350 | --- | --- | --- | --- | --- | --- |
| RAM 1500 ST                  | 4x4        | Reg Cab  | No         | 8.0 Box     | 5.7L V8       | 3900          | 3900        | 6550               | n/a                  | ---   | ---                         | ---              | 7167  | ---                         | --- | 350 | --- | --- | --- | --- | --- | --- |
| RAM 1500 ST                  | 4x4        | Quad Cab | No         | 6.5 Box     | 4.7L FFV      | 3900          | 3900        | 6650               | n/a                  | ---   | ---                         | ---              | 7167  | ---                         | --- | 450 | --- | --- | --- | --- | --- | --- |
| RAM 1500 ST                  | 4x4        | Quad Cab | No         | 6.5 Box     | 4.7L V8       | 3900          | 3900        | 6650               | n/a                  | ---   | ---                         | ---              | 7167  | ---                         | --- | 450 | --- | --- | --- | --- | --- | --- |
| RAM 1500 ST                  | 4x4        | Quad Cab | No         | 6.5 Box     | 5.7L V8       | 3900          | 3900        | 6650               | n/a                  | ---   | ---                         | ---              | 7167  | ---                         | --- | 450 | --- | --- | --- | --- | --- | --- |
| RAM 1500 SLT                 | 4x4        | Reg Cab  | No         | 6.5 Box     | 4.7L FFV      | 3900          | 3900        | 6350               | n/a                  | ---   | ---                         | ---              | 7167  | ---                         | --- | 300 | --- | --- | --- | --- | --- | --- |
| RAM 1500 SLT                 | 4x4        | Reg Cab  | No         | 6.5 Box     | 4.7L V8       | 3900          | 3900        | 6350               | n/a                  | ---   | ---                         | ---              | 7167  | ---                         | --- | 300 | --- | --- | --- | --- | --- | --- |
| RAM 1500 SLT                 | 4x4        | Reg Cab  | No         | 8.0 Box     | 4.7L V8       | 3900          | 3900        | 6550               | n/a                  | ---   | ---                         | ---              | 7167  | ---                         | --- | 350 | --- | --- | --- | --- | --- | --- |
| RAM 1500 SLT                 | 4x4        | Reg Cab  | No         | 8.0 Box     | 4.7L V8       | 3900          | 3900        | 6550               | n/a                  | ---   | ---                         | ---              | 7167  | ---                         | --- | 350 | --- | --- | --- | --- | --- | --- |
| RAM 1500 SLT                 | 4x4        | Reg Cab  | No         | 8.0 Box     | 5.7L V8       | 3900          | 3900        | 6550               | n/a                  | ---   | ---                         | ---              | 7167  | ---                         | --- | 450 | --- | --- | --- | --- | --- | --- |

- Notes:**
1. Ballast amounts are based on a "Representative Vehicle," defined in the vehicle selection guide instructions, and must be modified for all other configurations for axle and GVWR compliance.
  3. Requires bumper notching.
  8. These Snowplows Are For Personal/Homeowner Use Only.

# 2005 Dodge

## Section 1

### Homesteader™, LD-Series & M-Series Snowplows



|   |                                 |          |
|---|---------------------------------|----------|
| Blade Length  | 6'-8"                           | 7'-4"    |
| Blade Assembly                                      | Personal                        | Personal |
| Blade Part Number                                   | 27547                           | 27549    |
| Common Attachment Kit / Headgear Kit                | 27550                           |          |
| Hydraulic Kit                                       | 27517                           |          |
| Common Light  | 8435                            |          |
| Choose Module                                       | DRLs: 29070,<br>Non-DRLs: 29060 |          |
| Choose a Hand-Held Control<br>or a Joystick Control | 9400<br>8292                    |          |



|                              |               |                 |            |                 |            |
|------------------------------|---------------|-----------------|------------|-----------------|------------|
| 6'-9"<br>LD                  | 7'-1/2"<br>LD | 7'-1/2"<br>RD M | 8'<br>HD M | 8'-1/2"<br>HD M | 9'<br>HD M |
| 28069                        | 27775         | 27500           | 28000      | 28500           | 29000      |
| 27750-1                      |               |                 | 27777      |                 |            |
| 9825-1                       |               |                 | 9840-2     |                 |            |
| 28800                        |               |                 |            |                 |            |
| DRLs: 29070, Non-DRLs: 29060 |               |                 |            |                 |            |
| 9400                         |               |                 |            |                 |            |
| 8292                         |               |                 |            |                 |            |

| Model                          | Body Style | DRW      | Box Option | Engine Type | Min F G A W R | Min R G A W R | Min G V W R | Peculiar Light Kit | Personal Plow system |       | Ballast Guidelines, lbs (1) | MM2 system       |        | Ballast Guidelines, lbs (1) |     |     |      |      |     |     |
|--------------------------------|------------|----------|------------|-------------|---------------|---------------|-------------|--------------------|----------------------|-------|-----------------------------|------------------|--------|-----------------------------|-----|-----|------|------|-----|-----|
|                                |            |          |            |             |               |               |             |                    | Peculiar Att.Kit     | Notes |                             | Peculiar Att.Kit | Notes  |                             |     |     |      |      |     |     |
| RAM 1500 SLT                   | 4x4        | Quad Cab | No         | 6.5 Box     | 4.7L FFV      | 3900          | 3900        | 6650               | n/a                  | ---   | ---                         | ---              | 7167   | ---                         | --- | 550 | ---  | ---  | --- | --- |
| RAM 1500 SLT                   | 4x4        | Quad Cab | No         | 6.5 Box     | 4.7L V8       | 3900          | 3900        | 6650               | n/a                  | ---   | ---                         | ---              | 7167   | ---                         | --- | 550 | ---  | ---  | --- | --- |
| RAM 1500 SLT                   | 4x4        | Quad Cab | No         | 6.5 Box     | 5.7L V8       | 3900          | 3900        | 6650               | n/a                  | ---   | ---                         | ---              | 7167   | ---                         | --- | 400 | ---  | ---  | --- | --- |
| RAM 1500 SLT+20" tires         | 4x4        | Reg Cab  | No         | 6.5 Box     | 4.7L FFV      | 3900          | 3900        | 6350               | n/a                  | ---   | ---                         | ---              | 7167   | ---                         | --- | 300 | ---  | ---  | --- | --- |
| RAM 1500 SLT+20" tires         | 4x4        | Reg Cab  | No         | 6.5 Box     | 4.7L V8       | 3900          | 3900        | 6350               | n/a                  | ---   | ---                         | ---              | 7167   | ---                         | --- | 300 | ---  | ---  | --- | --- |
| RAM 1500 SLT+20" tires         | 4x4        | Reg Cab  | No         | 6.5 Box     | 5.7L V8       | 3900          | 3900        | 6350               | n/a                  | ---   | ---                         | ---              | 7167   | ---                         | --- | 250 | ---  | ---  | --- | --- |
| RAM 1500 SLT+LT275/70R17 tires | 4x4        | Reg Cab  | No         | 6.5 Box     | 4.7L FFV      | 3900          | 3900        | 6350               | n/a                  | ---   | ---                         | ---              | 7167   | ---                         | --- | 300 | ---  | ---  | --- | --- |
| RAM 1500 SLT+LT275/70R17 tires | 4x4        | Reg Cab  | No         | 6.5 Box     | 4.7L V8       | 3900          | 3900        | 6350               | n/a                  | ---   | ---                         | ---              | 7167   | ---                         | --- | 300 | ---  | ---  | --- | --- |
| RAM 1500 SLT+LT275/70R17 tires | 4x4        | Reg Cab  | No         | 6.5 Box     | 5.7L V8       | 3900          | 3900        | 6350               | n/a                  | ---   | ---                         | ---              | 7167   | ---                         | --- | 250 | ---  | ---  | --- | --- |
| RAM 1500 SLT+LT275/70R17 tires | 4x4        | Reg Cab  | No         | 8.0 Box     | 4.7L FFV      | 3900          | 3900        | 6550               | n/a                  | ---   | ---                         | ---              | 7167   | ---                         | --- | 350 | ---  | ---  | --- | --- |
| RAM 1500 SLT+LT275/70R17 tires | 4x4        | Reg Cab  | No         | 8.0 Box     | 4.7L V8       | 3900          | 3900        | 6550               | n/a                  | ---   | ---                         | ---              | 7167   | ---                         | --- | 350 | ---  | ---  | --- | --- |
| RAM 1500 SLT+LT275/70R17 tires | 4x4        | Reg Cab  | No         | 8.0 Box     | 5.7L V8       | 3900          | 3900        | 6550               | n/a                  | ---   | ---                         | ---              | 7167   | ---                         | --- | 500 | ---  | ---  | --- | --- |
| RAM 1500 SLT+LT275/70R17 tires | 4x4        | Quad Cab | No         | 6.5 Box     | 4.7L V8       | 3900          | 3900        | 6650               | n/a                  | ---   | ---                         | ---              | 7167   | ---                         | --- | 550 | ---  | ---  | --- | --- |
| RAM 1500 SLT+LT275/70R17 tires | 4x4        | Quad Cab | No         | 6.5 Box     | 5.7L V8       | 3900          | 3900        | 6650               | n/a                  | ---   | ---                         | ---              | 7167   | ---                         | --- | 400 | ---  | ---  | --- | --- |
| RAM 2500                       | 4x4        | All      | No         | Chassis     | All           | All           | All         | 8501               | n/a                  | ---   | ---                         | ---              | 7170-2 | 2,30                        | --- | ?   | ?    | ?    | ?   | ?   |
| RAM 2500 ST                    | 4x4        | Reg Cab  | No         | 8.0 Box     | 5.7L V8       | 5200          | 6000        | 8650               | n/a                  | ---   | ---                         | ---              | 7170-2 | 2                           | --- | 300 | 400  | 400  | 450 | 450 |
| RAM 2500 ST                    | 4x4        | Reg Cab  | No         | 8.0 Box     | 5.9L D HO     | 5200          | 6000        | 9000               | n/a                  | ---   | ---                         | ---              | 7170-2 | 2,30                        | --- | 550 | 950  | ---  | --- | --- |
| RAM 2500 ST                    | 4x4        | Quad Cab | No         | 6.5 Box     | 5.7L V8       | 5200          | 6000        | 8800               | n/a                  | ---   | ---                         | ---              | 7170-2 | 2                           | --- | 200 | 350  | 350  | 350 | 350 |
| RAM 2500 ST                    | 4x4        | Quad Cab | No         | 6.5 Box     | 5.9L D HO     | 5200          | 6000        | 9000               | n/a                  | ---   | ---                         | ---              | 7170-2 | 2,30                        | --- | 500 | ---  | ---  | --- | --- |
| RAM 2500 ST                    | 4x4        | Quad Cab | No         | 8.0 Box     | 5.7L V8       | 5200          | 6000        | 8800               | n/a                  | ---   | ---                         | ---              | 7170-2 | 2                           | --- | 250 | 350  | 400  | 400 | 400 |
| RAM 2500 SLT                   | 4x4        | Reg Cab  | No         | 8.0 Box     | 5.7L V8       | 5200          | 6010        | 8650               | n/a                  | ---   | ---                         | ---              | 7170-2 | 2                           | --- | 300 | 400  | 400  | 400 | 400 |
| RAM 2500 SLT                   | 4x4        | Reg Cab  | No         | 8.0 Box     | 5.9L D HO     | 5200          | 6010        | 9000               | n/a                  | ---   | ---                         | ---              | 7170-2 | 2,30                        | --- | 500 | 1000 | ---  | --- | --- |
| RAM 2500 SLT                   | 4x4        | Quad Cab | No         | 6.5 Box     | 5.7L V8       | 5200          | 6010        | 8800               | n/a                  | ---   | ---                         | ---              | 7170-2 | 2                           | --- | 200 | 300  | 350  | 350 | 350 |
| RAM 2500 SLT                   | 4x4        | Quad Cab | No         | 6.5 Box     | 5.9L D HO     | 5200          | 6010        | 9000               | n/a                  | ---   | ---                         | ---              | 7170-2 | 2,30                        | --- | 450 | 1000 | ---  | --- | --- |
| RAM 2500 SLT                   | 4x4        | Quad Cab | No         | 8.0 Box     | 5.7L V8       | 5200          | 6010        | 8800               | n/a                  | ---   | ---                         | ---              | 7170-2 | 2                           | --- | 200 | 300  | 350  | 350 | 350 |
| RAM 3500                       | 4x4        | All      | Yes        | Chassis     | All           | All           | All         | 8501               | n/a                  | ---   | ---                         | ---              | 7170-2 | 2,30                        | --- | --- | ---  | ?    | ?   | ?   |
| RAM 3500                       | 4x2        | All      | Yes        | Chassis     | All           | All           | All         | 10001              | n/a                  | ---   | ---                         | ---              | 7170-2 | 2,30                        | --- | --- | ---  | ?    | ?   | ?   |
| RAM 3500 ST                    | 4x4        | Reg Cab  | Yes        | 8.0 Box     | 5.7L V8       | 5200          | 9350        | 11500              | n/a                  | ---   | ---                         | ---              | 7170-2 | 2                           | --- | --- | ---  | 150  | 150 | 150 |
| RAM 3500 ST                    | 4x4        | Quad Cab | No         | 6.5 Box     | 5.9L D HO     | 5200          | 6200        | 9900               | n/a                  | ---   | ---                         | ---              | 7170-2 | 2,30                        | --- | --- | ---  | 850  | 950 | --- |
| RAM 3500 ST                    | 4x4        | Quad Cab | Yes        | 8.0 Box     | 5.7L V8       | 5200          | 9350        | 11500              | n/a                  | ---   | ---                         | ---              | 7170-2 | 2                           | --- | --- | ---  | 100  | 100 | 100 |
| RAM 3500 SLT                   | 4x4        | Reg Cab  | Yes        | 8.0 Box     | 5.7L V8       | 5200          | 9350        | 11500              | n/a                  | ---   | ---                         | ---              | 7170-2 | 2                           | --- | --- | ---  | 150  | 150 | 150 |
| RAM 3500 SLT                   | 4x4        | Quad Cab | No         | 6.5 Box     | 5.9L D HO     | 5200          | 6200        | 9900               | n/a                  | ---   | ---                         | ---              | 7170-2 | 2,30                        | --- | --- | ---  | 1000 | --- | --- |
| RAM 3500 SLT                   | 4x4        | Quad Cab | Yes        | 8.0 Box     | 5.7L V8       | 5200          | 9350        | 11500              | n/a                  | ---   | ---                         | ---              | 7170-2 | 2                           | --- | --- | ---  | 100  | 100 | 100 |

- Notes:**
- Ballast amounts are based on a "Representative Vehicle," defined in the vehicle selection guide instructions, and must be modified for all other configurations for axle and GVWR compliance.
  - Recommended snowplow prep package whenever available.
  - High output diesel engines require automatic transmission.

# 2005 Dodge

## Section 2 XBLADE™ & MC-Series Snowplows



|  |                              |        |       |       |        |        |       |       |        |       |
|--|------------------------------|--------|-------|-------|--------|--------|-------|-------|--------|-------|
| Blade Length                                     | 7-1/2'                       | 7-1/2' | 8'    | 8'    | 8-1/2' | 8-1/2' | 9'    | 9'    | 9'     | 10'   |
| Blade Assembly                                   | X SS                         | X MS   | X SS  | X MS  | X SS   | X MS   | X SS  | X MS  | MC     | MC    |
| Blade Part Number                                | 27510                        | 27512  | 28100 | 28200 | 28510  | 28520  | 29100 | 29200 | 29250  | 29350 |
| Common Attachment Kit / Headgear Kit             | 28900                        | 27777  | 28900 | 27777 | 28900  | 27777  | 28900 | 27777 | 29999  |       |
| A-Frame Kit                                      | n/a                          |        |       |       |        |        |       |       | 28665  |       |
| Hydraulic Kit                                    | 9840-2                       |        |       |       |        |        |       |       | 9835-1 |       |
| Common Light                                     | 28800                        |        |       |       |        |        |       |       |        |       |
| Choose Module                                    | DRLs: 29070, Non-DRLs: 29060 |        |       |       |        |        |       |       |        |       |
| Choose a Hand-Held Control or a Joystick Control | 9400                         |        |       |       |        |        |       |       |        |       |
|  | 8292                         |        |       |       |        |        |       |       |        |       |

| Model        | Body Style | DRW      | Box Option | Engine Type | Min F G A W R | Min R G A W R | Min G V W R | Peculiar Light Kit | MM2 system       |        | Ballast Guidelines, lbs (1) |      |      |     |     |     |     |     |     |     |     |
|--------------|------------|----------|------------|-------------|---------------|---------------|-------------|--------------------|------------------|--------|-----------------------------|------|------|-----|-----|-----|-----|-----|-----|-----|-----|
|              |            |          |            |             |               |               |             |                    | Peculiar Att.Kit | Notes  |                             |      |      |     |     |     |     |     |     |     |     |
| RAM 2500     | 4x4        | All      | No         | Chassis     | All           | All           | 8501        |                    | 7170-2           | 2,30   | ?                           | ?    | ?    | ?   | ?   | ?   | ?   | ?   | ?   | --- | --- |
| RAM 2500 ST  | 4x4        | Reg Cab  | No         | 8.0 Box     | 5.7L V8       | 5200          | 6000        | 8650               |                  | 7170-2 | 2                           | 400  | 400  | 450 | 450 | 500 | 500 | 500 | 500 | --- | --- |
| RAM 2500 ST  | 4x4        | Quad Cab | No         | 6.5 Box     | 5.7L V8       | 5200          | 6000        | 8800               |                  | 7170-2 | 2                           | 350  | 350  | 400 | 400 | 400 | 400 | 450 | 450 | --- | --- |
| RAM 2500 ST  | 4x4        | Quad Cab | No         | 8.0 Box     | 5.7L V8       | 5200          | 6000        | 8800               |                  | 7170-2 | 2                           | 400  | 400  | 450 | 450 | 450 | 450 | 450 | 450 | --- | --- |
| RAM 2500 SLT | 4x4        | Reg Cab  | No         | 8.0 Box     | 5.7L V8       | 5200          | 6010        | 8650               |                  | 7170-2 | 2                           | 400  | 400  | 450 | 450 | 500 | 500 | 500 | 500 | --- | --- |
| RAM 2500 SLT | 4x4        | Quad Cab | No         | 6.5 Box     | 5.7L V8       | 5200          | 6010        | 8800               |                  | 7170-2 | 2                           | 300  | 300  | 400 | 400 | 400 | 400 | 450 | 450 | --- | --- |
| RAM 2500 SLT | 4x4        | Quad Cab | No         | 8.0 Box     | 5.7L V8       | 5200          | 6010        | 8800               |                  | 7170-2 | 2                           | 350  | 350  | 400 | 400 | 400 | 400 | 450 | 450 | --- | --- |
| RAM 3500     | 4x4        | All      | Yes        | Chassis     | All           | All           | 8501        |                    | 7170-2           | 2,30   | ---                         | ---  | ---  | --- | ?   | ?   | ?   | ?   | --- | --- |     |
| RAM 3500     | 4x2        | All      | Yes        | Chassis     | All           | All           | 10001       |                    | 7170-2           | 2,30   | ---                         | ---  | ---  | --- | ?   | ?   | ?   | ?   | --- | --- |     |
| RAM 3500 ST  | 4x4        | Reg Cab  | Yes        | 8.0 Box     | 5.7L V8       | 5200          | 9350        | 11500              |                  | 7170-2 | 2                           | ---  | ---  | --- | --- | 250 | 250 | 250 | 250 | --- | --- |
| RAM 3500 ST  | 4x4        | Quad Cab | No         | 6.5 Box     | 5.9L D HO     | 5200          | 6200        | 9900               |                  | 7170-2 | 2,30                        | 1000 | 1000 | --- | --- | --- | --- | --- | --- | --- | --- |
| RAM 3500 ST  | 4x4        | Quad Cab | Yes        | 8.0 Box     | 5.7L V8       | 5200          | 9350        | 11500              |                  | 7170-2 | 2                           | ---  | ---  | --- | --- | 150 | 150 | 200 | 200 | --- | --- |
| RAM 3500 SLT | 4x4        | Reg Cab  | Yes        | 8.0 Box     | 5.7L V8       | 5200          | 9350        | 11500              |                  | 7170-2 | 2                           | ---  | ---  | --- | --- | 250 | 250 | 250 | 250 | --- | --- |
| RAM 3500 SLT | 4x4        | Quad Cab | Yes        | 8.0 Box     | 5.7L V8       | 5200          | 9350        | 11500              |                  | 7170-2 | 2                           | ---  | ---  | --- | --- | 150 | 150 | 200 | 200 | --- | --- |

- Notes:**
- Ballast amounts are based on a "Representative Vehicle," defined in the vehicle selection guide instructions, and must be modified for all other configurations for axle and GVWR compliance.
  - Recommended snowplow prep package whenever available.
  - High output diesel engines require automatic transmission.

# 2005 Dodge

## Section 3

### EZ-V® & XtremeV™ Snowplows



|                                      |                              |        |        |        |        |        |        |        |
|--------------------------------------|------------------------------|--------|--------|--------|--------|--------|--------|--------|
| Blade Length                         | 7-1/2'                       | 7-1/2' | 8-1/2' | 8-1/2' | 9-1/2' | 9-1/2' | 8-1/2' | 9-1/2' |
| Blade Assembly                       | XV SS                        | XV MS  | XV SS  | XV MS  | XV SS  | XV MS  | EZ-V®  | EZ-V®  |
| Blade Part Number                    | 44775                        | 44675  | 44785  | 44685  | 44795  | 44695  | 28885  | 28895  |
| Common Attachment Kit / Headgear Kit | 44650                        | 44600  | 44650  | 44600  | 44650  | 44600  | 28888  |        |
| Hydraulic Kit                        | n/a                          |        |        |        |        |        | 9828-4 |        |
| Common Light                         | n/a                          |        |        |        |        |        | 28800  |        |
| Choose Module                        | DRLs: 29070, Non-DRLs: 29060 |        |        |        |        |        |        |        |
| Choose a Hand-Held Control           | 29600                        |        |        |        |        |        | 9800   |        |
| or a Joystick Control                | 29700                        |        |        |        |        |        | 9900   |        |

| Model        | Body Style | DRW      | Box Option | Engine Type | Min FAWR | Min RAWR | Min GVWR | Peculiar Light Kit | MM2 system       |        | Ballast Guidelines, lbs (1) |      |     |     |     |     |     |     |     |
|--------------|------------|----------|------------|-------------|----------|----------|----------|--------------------|------------------|--------|-----------------------------|------|-----|-----|-----|-----|-----|-----|-----|
|              |            |          |            |             |          |          |          |                    | Peculiar Att.Kit | Notes  | 7170-2                      | 2,30 | ?   | ?   | ?   | ?   | ?   | ?   | ?   |
| RAM 2500     | 4x4        | All      | No         | Chassis     | All      | All      | 8501     |                    | 7170-2           | 2,30   | ?                           | ?    | ?   | ?   | ?   | ?   | ?   | ?   | ?   |
| RAM 2500 ST  | 4x4        | Reg Cab  | No         | 8.0 Box     | 5.7L V8  | 5200     | 6000     | 8650               | HB5 use 29050    | 7170-2 | 2                           | 450  | 450 | 500 | 500 | 600 | 600 | 450 | 500 |
| RAM 2500 ST  | 4x4        | Quad Cab | No         | 6.5 Box     | 5.7L V8  | 5200     | 6000     | 8800               |                  | 7170-2 | 2                           | 350  | 350 | 400 | 400 | 550 | 550 | 350 | 400 |
| RAM 2500 ST  | 4x4        | Quad Cab | No         | 8.0 Box     | 5.7L V8  | 5200     | 6000     | 8800               |                  | 7170-2 | 2                           | 400  | 400 | 450 | 450 | 550 | 550 | 400 | 450 |
| RAM 2500 SLT | 4x4        | Reg Cab  | No         | 8.0 Box     | 5.7L V8  | 5200     | 6010     | 8650               |                  | 7170-2 | 2                           | 450  | 450 | 500 | 500 | 600 | 600 | 400 | 450 |
| RAM 2500 SLT | 4x4        | Quad Cab | No         | 6.5 Box     | 5.7L V8  | 5200     | 6010     | 8800               |                  | 7170-2 | 2                           | 350  | 350 | 400 | 400 | 500 | 500 | 350 | 400 |
| RAM 2500 SLT | 4x4        | Quad Cab | No         | 8.0 Box     | 5.7L V8  | 5200     | 6010     | 8800               |                  | 7170-2 | 2                           | 350  | 350 | 400 | 400 | 500 | 500 | 350 | 400 |
| RAM 3500     | 4x4        | All      | Yes        | Chassis     | All      | All      | 8501     |                    |                  | 7170-2 | 2,30                        | ---  | --- | ?   | ?   | ?   | ?   | ?   | ?   |
| RAM 3500     | 4x2        | All      | Yes        | Chassis     | All      | All      | 10001    |                    |                  | 7170-2 | 2,30                        | ---  | --- | ?   | ?   | ?   | ?   | ?   | ?   |
| RAM 3500 ST  | 4x4        | Reg Cab  | Yes        | 8.0 Box     | 5.7L V8  | 5200     | 9350     | 11500              |                  | 7170-2 | 2                           | ---  | --- | 250 | 250 | 350 | 350 | 150 | 200 |
| RAM 3500 ST  | 4x4        | Quad Cab | Yes        | 8.0 Box     | 5.7L V8  | 5200     | 9350     | 11500              |                  | 7170-2 | 2                           | ---  | --- | 150 | 150 | 650 | 650 | 100 | 150 |
| RAM 3500 SLT | 4x4        | Reg Cab  | Yes        | 8.0 Box     | 5.7L V8  | 5200     | 9350     | 11500              |                  | 7170-2 | 2                           | ---  | --- | 250 | 250 | 350 | 350 | 150 | 200 |
| RAM 3500 SLT | 4x4        | Quad Cab | Yes        | 8.0 Box     | 5.7L V8  | 5200     | 9350     | 11500              |                  | 7170-2 | 2                           | ---  | --- | 150 | 150 | 750 | 750 | 100 | 150 |

- Notes:**
1. Ballast amounts are based on a "Representative Vehicle," defined in the vehicle selection guide instructions, and must be modified for all other configurations for axle and GVWR compliance.
  2. Recommended snowplow prep package whenever available.
  30. High output diesel engines require automatic transmission.



# 2005 Jeep

## Section 1

### Homesteader™, LD-Series & M-Series Snowplows



|   |                                 |          |
|---|---------------------------------|----------|
| Blade Length  | 6'-8"                           | 7'-4"    |
| Blade Assembly                                      | Personal                        | Personal |
| Blade Part Number                                   | 27547                           | 27549    |
| Common Attachment Kit / Headgear Kit                | 27550                           |          |
| Hydraulic Kit                                       | 27517                           |          |
| Common Light  | 8435                            |          |
| Choose Module                                       | DRLs: 29070,<br>Non-DRLs: 29060 |          |
| Choose a Hand-Held Control<br>or a Joystick Control | 9400<br>8292                    |          |



|                              |               |                 |            |                 |            |
|------------------------------|---------------|-----------------|------------|-----------------|------------|
| 6'-9"<br>LD                  | 7'-1/2"<br>LD | 7'-1/2"<br>RD M | 8'<br>HD M | 8'-1/2"<br>HD M | 9'<br>HD M |
| 28069                        | 27775         | 27500           | 28000      | 28500           | 29000      |
| 27750-1                      |               | 27777           |            |                 |            |
| 9825-1                       |               | 9840-2          |            |                 |            |
| 28800                        |               |                 |            |                 |            |
| DRLs: 29070, Non-DRLs: 29060 |               |                 |            |                 |            |
| 9400                         |               |                 |            |                 |            |
| 8292                         |               |                 |            |                 |            |

| Model                  | Body Style | DRW    | Box Option | Engine Type | Min FAWR | Min RAWR | Min GVWR | Peculiar Light Kit | Personal Plow system        |        | Ballast Guidelines, lbs (1) | MM2 system       |       | Ballast Guidelines, lbs (1) |     |     |     |     |     |     |     |     |     |     |     |     |     |     |
|------------------------|------------|--------|------------|-------------|----------|----------|----------|--------------------|-----------------------------|--------|-----------------------------|------------------|-------|-----------------------------|-----|-----|-----|-----|-----|-----|-----|-----|-----|-----|-----|-----|-----|-----|
|                        |            |        |            |             |          |          |          |                    | Peculiar Att.Kit            | Notes  |                             | Peculiar Att.Kit | Notes |                             |     |     |     |     |     |     |     |     |     |     |     |     |     |     |
| LIBERTY LIMITED        | 4x4        | SU-4DR | No         | ---         | 3.7L V6  | 2750     | 3150     | 5650               |                             | 3713-1 | 8                           | 0                | 0     | n/a                         | --- | --- | --- | --- | --- | --- | --- | --- | --- | --- | --- | --- | --- |     |
| LIBERTY SPORT          | 4x4        | SU-4DR | No         | ---         | 2.4L I4  | 2750     | 3150     | 5200               | HB5 use 29050               | 3713-1 | 8                           | 0                | 0     | n/a                         | --- | --- | --- | --- | --- | --- | --- | --- | --- | --- | --- | --- | --- |     |
| LIBERTY SPORT          | 4x4        | SU-4DR | No         | ---         | 3.7L V6  | 2750     | 3150     | 5200               |                             | 3713-1 | 8                           | 0                | 0     | n/a                         | --- | --- | --- | --- | --- | --- | --- | --- | --- | --- | --- | --- | --- | --- |
| LIBERTY RENEGADE       | 4x4        | SU-4DR | No         | ---         | 3.7L V6  | 2750     | 3150     | 5600               |                             | 3713-1 | 8                           | 0                | 0     | n/a                         | --- | --- | --- | --- | --- | --- | --- | --- | --- | --- | --- | --- | --- |     |
| WRANGLER SE            | 4x4        | SU-2DR | No         | ---         | 2.5L I4  | 2200     | 2650     | 4450               | 2D use 29051                | 3723   | 8                           | 0                | 0     | n/a                         | --- | --- | --- | --- | --- | --- | --- | --- | --- | --- | --- | --- | --- |     |
| WRANGLER X             | 4x4        | SU-2DR | No         | ---         | 2.5L I4  | 2200     | 2650     | 4450               |                             | 3723   | 8                           | 0                | 0     | n/a                         | --- | --- | --- | --- | --- | --- | --- | --- | --- | --- | --- | --- | --- | --- |
| GRAND CHEROKEE LAREDO  | 4X4        | SU-4DR | No         | ---         | 4.7L V8  | 2950     | 3200     | 6100               | HB3/HB4 use 29048 & 28027-1 | 42021  | 3,8                         | 0                | 0     | n/a                         | --- | --- | --- | --- | --- | --- | --- | --- | --- | --- | --- | --- | --- |     |
| GRAND CHEROKEE LIMITED | 4X4        | SU-4DR | No         | ---         | 4.7L V8  | 2950     | 3200     | 6150               |                             | 42021  | 3,8                         | 0                | 0     | n/a                         | --- | --- | --- | --- | --- | --- | --- | --- | --- | --- | --- | --- | --- | --- |
| GRAND CHEROKEE LIMITED | 4X4        | SU-4DR | No         | ---         | 5.7L V8  | 2950     | 3200     | 6150               |                             | 42021  | 3,8                         | 0                | 0     | n/a                         | --- | --- | --- | --- | --- | --- | --- | --- | --- | --- | --- | --- | --- | --- |

- Notes:**
1. Ballast amounts are based on a "Representative Vehicle," defined in the vehicle selection guide instructions, and must be modified for all other configurations for axle and GVWR compliance.
  3. Requires bumper notching.
  8. These Snowplows Are For Personal/Homeowner Use Only.

# 2005 Nissan

## Section 1

### Homesteader™, LD-Series & M-Series Snowplows



|  |                              |          |
|--|------------------------------|----------|
| Blade Length                                     | 6'-8"                        | 7'-4"    |
| Blade Assembly                                   | Personal                     | Personal |
| Blade Part Number                                | 27547                        | 27549    |
| Common Attachment Kit / Headgear Kit             | 27550                        |          |
| Hydraulic Kit                                    | 27517                        |          |
| Common Light                                     | 8435                         |          |
| Choose Module                                    | DRLs: 29070, Non-DRLs: 29060 |          |
| Choose a Hand-Held Control or a Joystick Control | 9400                         |          |
|  | 8292                         |          |



|                              |            |              |         |              |         |
|------------------------------|------------|--------------|---------|--------------|---------|
| 6'-9" LD                     | 7'-1/2" LD | 7'-1/2" RD M | 8' HD M | 8'-1/2" HD M | 9' HD M |
| 28069                        | 27775      | 27500        | 28000   | 28500        | 29000   |
| 27750-1                      |            | 27777        |         |              |         |
| 9825-1                       |            | 9840-2       |         |              |         |
| 28800                        |            |              |         |              |         |
| DRLs: 29070, Non-DRLs: 29060 |            |              |         |              |         |
| 9400                         |            |              |         |              |         |
| 8292                         |            |              |         |              |         |

| Model    | Body Style | DRW      | Box Option | Engine Type | Min F G A W R | Min R G A W R | Min G V W R | Peculiar Light Kit | Personal Plow system        |       | Ballast Guidelines, lbs (1) | MM2 system       |       | Ballast Guidelines, lbs (1) |     |     |     |     |     |     |     |     |     |     |     |
|----------|------------|----------|------------|-------------|---------------|---------------|-------------|--------------------|-----------------------------|-------|-----------------------------|------------------|-------|-----------------------------|-----|-----|-----|-----|-----|-----|-----|-----|-----|-----|-----|
|          |            |          |            |             |               |               |             |                    | Peculiar Att.Kit            | Notes |                             | Peculiar Att.Kit | Notes |                             |     |     |     |     |     |     |     |     |     |     |     |
| TITAN XE | 4x4        | King Cab | No         | 6.5 Box     | 5.6L V8       | 3505          | 3805        | 6529               |                             | 31303 | 8,40                        | ---              | 0     | n/a                         | --- | --- | --- | --- | --- | --- | --- | --- | --- | --- |     |
| TITAN XE | 4x4        | Crew Cab | No         | 6.5 Box     | 5.6L V8       | 3505          | 3805        | 6529               |                             | 31303 | 8,40                        | ---              | 0     | n/a                         | --- | --- | --- | --- | --- | --- | --- | --- | --- | --- |     |
| TITAN SE | 4x4        | King Cab | No         | 6.5 Box     | 5.6L V8       | 3505          | 3805        | 6529               | HB3/HB4 use 29048 & 28027-1 | 31303 | 8,40                        | ---              | 100   | n/a                         | --- | --- | --- | --- | --- | --- | --- | --- | --- | --- |     |
| TITAN SE | 4x4        | Crew Cab | No         | 6.5 Box     | 5.6L V8       | 3505          | 3805        | 6529               |                             | 31303 | 8,40                        | ---              | 200   | n/a                         | --- | --- | --- | --- | --- | --- | --- | --- | --- | --- | --- |
| TITAN LE | 4x4        | King Cab | No         | 6.5 Box     | 5.6L V8       | 3505          | 3805        | 6529               |                             | 31303 | 8,40                        | ---              | 300   | n/a                         | --- | --- | --- | --- | --- | --- | --- | --- | --- | --- | --- |
| TITAN LE | 4x4        | Crew Cab | No         | 6.5 Box     | 5.6L V8       | 3505          | 3805        | 6529               |                             | 31303 | 8,40                        | ---              | 400   | n/a                         | --- | --- | --- | --- | --- | --- | --- | --- | --- | --- | --- |

- Notes:**
- Ballast amounts are based on a "Representative Vehicle," defined in the vehicle selection guide instructions, and must be modified for all other configurations for axle and GVWR compliance.
  - These Snowplows Are For Personal/Homeowner Use Only.
  - Removal of skid plate or splash guard required.

# 2005 Toyota

## Section 1

### Homesteader™, LD-Series & M-Series Snowplows



|   |                                 |          |
|---|---------------------------------|----------|
| Blade Length  | 6'-8"                           | 7'-4"    |
| Blade Assembly                                      | Personal                        | Personal |
| Blade Part Number                                   | 27547                           | 27549    |
| Common Attachment Kit / Headgear Kit                | 27550                           |          |
| Hydraulic Kit                                       | 27517                           |          |
| Common Light  | 8435                            |          |
| Choose Module                                       | DRLs: 29070,<br>Non-DRLs: 29060 |          |
| Choose a Hand-Held Control<br>or a Joystick Control | 9400                            |          |
|   | 8292                            |          |



|                              |               |                 |            |                 |            |
|------------------------------|---------------|-----------------|------------|-----------------|------------|
| 6'-9"<br>LD                  | 7'-1/2"<br>LD | 7'-1/2"<br>RD M | 8'<br>HD M | 8'-1/2"<br>HD M | 9'<br>HD M |
| 28069                        | 27775         | 27500           | 28000      | 28500           | 29000      |
| 27750-1                      |               | 27777           |            |                 |            |
| 9825-1                       |               | 9840-2          |            |                 |            |
| 28800                        |               |                 |            |                 |            |
| DRLs: 29070, Non-DRLs: 29060 |               |                 |            |                 |            |
| 9400                         |               |                 |            |                 |            |
| 8292                         |               |                 |            |                 |            |

| Model          | Body Style | DRW        | Box Option | Engine Type | Min F G A W R | Min R G A W R | Min G V W R | Peculiar Light Kit | Personal Plow system |       | Ballast Guidelines, lbs (1) | MM2 system        |       | Ballast Guidelines, lbs (1) |     |     |     |     |     |     |     |     |     |     |     |
|----------------|------------|------------|------------|-------------|---------------|---------------|-------------|--------------------|----------------------|-------|-----------------------------|-------------------|-------|-----------------------------|-----|-----|-----|-----|-----|-----|-----|-----|-----|-----|-----|
|                |            |            |            |             |               |               |             |                    | Peculiar Att. Kit    | Notes |                             | Peculiar Att. Kit | Notes |                             |     |     |     |     |     |     |     |     |     |     |     |
| TACOMA         | 4x4        | Reg Cab    | No         | 6.1 Box     | 2.7L I4       | 2755          | 3110        | 5100               | HB2 use<br>29051     | 32323 | 8                           | 0                 | 0     | n/a                         | --- | --- | --- | --- | --- | --- | --- | --- | --- | --- |     |
| TACOMA         | 4x4        | Access Cab | No         | 6.1 Box     | 2.7L I4       | 2755          | 3110        | 5250               |                      | 32323 | 8                           | 0                 | 0     | n/a                         | --- | --- | --- | --- | --- | --- | --- | --- | --- | --- | --- |
| TACOMA         | 4x4        | Access Cab | No         | 6.1 Box     | 4.0L V6       | 2755          | 3110        | 5350               |                      | 32323 | 8                           | 150               | 250   | n/a                         | --- | --- | --- | --- | --- | --- | --- | --- | --- | --- | --- |
| TACOMA         | 4x4        | Double Cab | No         | 5.0 Box     | 4.0L V6       | 2755          | 3110        | 5450               |                      | 32323 | 8                           | 250               | 400   | n/a                         | --- | --- | --- | --- | --- | --- | --- | --- | --- | --- | --- |
| TACOMA         | 4x4        | Double Cab | No         | 6.1 Box     | 4.0L V6       | 2755          | 3110        | 5450               |                      | 32323 | 8                           | 450               | 600   | n/a                         | --- | --- | --- | --- | --- | --- | --- | --- | --- | --- | --- |
| TUNDRA         | 4x4        | Reg Cab    | No         | 8.0 Box     | 4.7L V8       | 3160          | 3760        | 6300               |                      | 2303  | 8                           | ---               | 0     | n/a                         | --- | --- | --- | --- | --- | --- | --- | --- | --- | --- | --- |
| TUNDRA SR5     | 4x4        | Ext Cab    | No         | 6.2 Box     | 4.7L V8       | 3160          | 3760        | 6300               |                      | 2303  | 8                           | ---               | 300   | n/a                         | --- | --- | --- | --- | --- | --- | --- | --- | --- | --- | --- |
| TUNDRA SR5     | 4x4        | Ext Cab    | No         | 6.2 Box     | 4.7L V8       | 3160          | 3760        | 6010               |                      | 2303  | 8                           | ---               | 350   | n/a                         | --- | --- | --- | --- | --- | --- | --- | --- | --- | --- | --- |
| TUNDRA SR5     | 4x4        | Double Cab | No         | 6.2 Box     | 4.7L V8       | 3500          | 3760        | 6600               |                      | 2303  | 8                           | ---               | 0     | n/a                         | --- | --- | --- | --- | --- | --- | --- | --- | --- | --- | --- |
| TUNDRA LIMITED | 4x4        | Ext Cab    | No         | 6.2 Box     | 4.7L V8       | 3160          | 3760        | 6300               |                      | 2303  | 8                           | ---               | 200   | n/a                         | --- | --- | --- | --- | --- | --- | --- | --- | --- | --- | --- |
| TUNDRA LIMITED | 4x4        | Ext Cab    | No         | 6.2 Box     | 4.7L V8       | 3160          | 3760        | 6010               |                      | 2303  | 8                           | ---               | 200   | n/a                         | --- | --- | --- | --- | --- | --- | --- | --- | --- | --- | --- |
| TUNDRA LIMITED | 4x4        | Double Cab | No         | 6.2 Box     | 4.7L V8       | 3500          | 3760        | 6600               |                      | 2303  | 8                           | ---               | 0     | n/a                         | --- | --- | --- | --- | --- | --- | --- | --- | --- | --- | --- |

Notes:  
 1. Ballast amounts are based on a "Representative Vehicle," defined in the vehicle selection guide instructions, and must be modified for all other configurations for axle and GVWR compliance.  
 8. These Snowplows Are For Personal/Homeowner Use Only.

# 2005 Mitsubishi

## Section 1

### Homesteader™, LD-Series & M-Series Snowplows



|   |                                 |          |
|---|---------------------------------|----------|
| Blade Length  | 6'-8"                           | 7'-4"    |
| Blade Assembly                                      | Personal                        | Personal |
| Blade Part Number                                   | 27547                           | 27549    |
| Common Attachment Kit / Headgear Kit                | 27550                           |          |
| Hydraulic Kit                                       | 27517                           |          |
| Common Light  | 8435                            |          |
| Choose Module                                       | DRLs: 29070,<br>Non-DRLs: 29060 |          |
| Choose a Hand-Held Control<br>or a Joystick Control | 9400                            |          |
|   | 8292                            |          |



|                              |               |                 |            |                 |            |
|------------------------------|---------------|-----------------|------------|-----------------|------------|
| 6'-9"<br>LD                  | 7'-1/2"<br>LD | 7'-1/2"<br>RD M | 8'<br>HD M | 8'-1/2"<br>HD M | 9'<br>HD M |
| 28069                        | 27775         | 27500           | 28000      | 28500           | 29000      |
| 27750-1                      |               | 27777           |            |                 |            |
| 9825-1                       |               | 9840-2          |            |                 |            |
| 28800                        |               |                 |            |                 |            |
| DRLs: 29070, Non-DRLs: 29060 |               |                 |            |                 |            |
| 9400                         |               |                 |            |                 |            |
| 8292                         |               |                 |            |                 |            |

| Model | Body Style | DRW | Box Option | Engine Type | Min FAWR | Min RAWR | Min GVWR | Peculiar Light Kit      | Personal Plow system |       | Ballast Guidelines, lbs (1) | MM2 system       |       | Ballast Guidelines, lbs (1) |     |     |     |     |   |   |
|-------|------------|-----|------------|-------------|----------|----------|----------|-------------------------|----------------------|-------|-----------------------------|------------------|-------|-----------------------------|-----|-----|-----|-----|---|---|
|       |            |     |            |             |          |          |          |                         | Peculiar Att.Kit     | Notes |                             | Peculiar Att.Kit | Notes |                             |     |     |     |     |   |   |
| FG    | 4x4        | All | Yes        | Chassis     | All      | All      | 10001    | HB5 use 29050 & 28860-1 | n/a                  | ---   | ---                         | ---              | 7179  | ---                         | --- | --- | --- | --- | ? | ? |

**Notes:**  
 1. Ballast amounts are based on a "Representative Vehicle," defined in the vehicle selection guide instructions, and must be modified for all other configurations for axle and GVWR compliance.

# 2005 Mitsubishi

## Section 2 XBLADE™ & MC-Series Snowplows



|                                      |                              |        |       |       |        |        |       |       |        |       |
|--------------------------------------|------------------------------|--------|-------|-------|--------|--------|-------|-------|--------|-------|
| Blade Length                         | 7-1/2'                       | 7-1/2' | 8'    | 8'    | 8-1/2' | 8-1/2' | 9'    | 9'    | 9'     | 10'   |
| Blade Assembly                       | X SS                         | X MS   | X SS  | X MS  | X SS   | X MS   | X SS  | X MS  | MC     | MC    |
| Blade Part Number                    | 27510                        | 27512  | 28100 | 28200 | 28510  | 28520  | 29100 | 29200 | 29250  | 29350 |
| Common Attachment Kit / Headgear Kit | 28900                        | 27777  | 28900 | 27777 | 28900  | 27777  | 28900 | 27777 | 29999  |       |
| A-Frame Kit                          | n/a                          |        |       |       |        |        |       |       | 28665  |       |
| Hydraulic Kit                        | 9840-2                       |        |       |       |        |        |       |       | 9835-1 |       |
| Common Light                         | 28800                        |        |       |       |        |        |       |       |        |       |
| Choose Module                        | DRLs: 29070, Non-DRLs: 29060 |        |       |       |        |        |       |       |        |       |
| Choose a Hand-Held Control           | 9400                         |        |       |       |        |        |       |       |        |       |
| or a Joystick Control                | 8292                         |        |       |       |        |        |       |       |        |       |

| Model | Body Style | DRW | Box Option | Engine Type | Min F G A W R | Min R G A W R | Min G V W R | Peculiar Light Kit      | MM2 system       |       | Ballast Guidelines, lbs (1) |     |     |     |     |   |   |   |   |     |     |
|-------|------------|-----|------------|-------------|---------------|---------------|-------------|-------------------------|------------------|-------|-----------------------------|-----|-----|-----|-----|---|---|---|---|-----|-----|
|       |            |     |            |             |               |               |             |                         | Peculiar Att.Kit | Notes |                             |     |     |     |     |   |   |   |   |     |     |
| FG    | 4x4        | All | Yes        | Chassis     | All           | All           | 10001       | HB5 use 29050 & 28860-1 | 7179             | ---   | ---                         | --- | --- | --- | --- | ? | ? | ? | ? | --- | --- |

Notes:  
1. Ballast amounts are based on a "Representative Vehicle," defined in the vehicle selection guide instructions, and must be modified for all other configurations for axle and GVWR compliance.

# 2005 Mitsubishi

## Section 3

### EZ-V® & XtremeV™ Snowplows



|                                      |                              |        |        |        |        |        |        |        |
|--------------------------------------|------------------------------|--------|--------|--------|--------|--------|--------|--------|
| Blade Length                         | 7-1/2'                       | 7-1/2' | 8-1/2' | 8-1/2' | 9-1/2' | 9-1/2' | 8-1/2' | 9-1/2' |
| Blade Assembly                       | XV SS                        | XV MS  | XV SS  | XV MS  | XV SS  | XV MS  | EZ-V®  | EZ-V®  |
| Blade Part Number                    | 44775                        | 44675  | 44785  | 44685  | 44795  | 44695  | 28885  | 28895  |
| Common Attachment Kit / Headgear Kit | 44650                        | 44600  | 44650  | 44600  | 44650  | 44600  | 28888  |        |
| Hydraulic Kit                        | n/a                          |        |        |        |        |        | 9828-4 |        |
| Common Light                         | n/a                          |        |        |        |        |        | 28800  |        |
| Choose Module                        | DRLs: 29070, Non-DRLs: 29060 |        |        |        |        |        |        |        |
| Choose a Hand-Held Control           | 29600                        |        |        |        |        |        | 9800   |        |
| or a Joystick Control                | 29700                        |        |        |        |        |        | 9900   |        |

| Model | Body Style | DRW | Box Option | Engine Type | Min FGAWR | Min RGAWR | Min GVWR | Peculiar Light Kit      | MM2 system       |       | Ballast Guidelines, lbs (1) |     |   |   |     |     |   |     |
|-------|------------|-----|------------|-------------|-----------|-----------|----------|-------------------------|------------------|-------|-----------------------------|-----|---|---|-----|-----|---|-----|
|       |            |     |            |             |           |           |          |                         | Peculiar Att.Kit | Notes |                             |     |   |   |     |     |   |     |
| FG    | 4x4        | All | Yes        | Chassis     | All       | All       | 10001    | HB5 use 29050 & 28860-1 | 7179             | ---   | ---                         | --- | ? | ? | --- | --- | ? | --- |

**Notes:**  
 1. Ballast amounts are based on a "Representative Vehicle," defined in the vehicle selection guide instructions, and must be modified for all other configurations for axle and GVWR compliance.

# 2005 International

## Section 2

### XBLADE™ & MC-Series Snowplows



|  |                              |        |       |       |        |        |       |       |        |       |
|--|------------------------------|--------|-------|-------|--------|--------|-------|-------|--------|-------|
| Blade Length                                     | 7-1/2'                       | 7-1/2' | 8'    | 8'    | 8-1/2' | 8-1/2' | 9'    | 9'    | 9'     | 10'   |
| Blade Assembly                                   | X SS                         | X MS   | X SS  | X MS  | X SS   | X MS   | X SS  | X MS  | MC     | MC    |
| Blade Part Number                                | 27510                        | 27512  | 28100 | 28200 | 28510  | 28520  | 29100 | 29200 | 29250  | 29350 |
| Common Attachment Kit / Headgear Kit             | 28900                        | 27777  | 28900 | 27777 | 28900  | 27777  | 28900 | 27777 | 29999  |       |
| A-Frame Kit                                      | n/a                          |        |       |       |        |        |       |       | 28665  |       |
| Hydraulic Kit                                    | 9840-2                       |        |       |       |        |        |       |       | 9835-1 |       |
| Common Light                                     | 28800                        |        |       |       |        |        |       |       |        |       |
| Choose Module                                    | DRLs: 29070, Non-DRLs: 29060 |        |       |       |        |        |       |       |        |       |
| Choose a Hand-Held Control or a Joystick Control | 9400                         |        |       |       |        |        |       |       |        |       |
|  | 8292                         |        |       |       |        |        |       |       |        |       |

| Model       | Body Style | DRW | Box Option | Engine Type | Min F G A W R | Min R G A W R | Min G V W R | Peculiar Light Kit                            | MM2 system       |       | Ballast Guidelines, lbs (1) |    |    |    |    |    |    |    |    |    |   |   |
|-------------|------------|-----|------------|-------------|---------------|---------------|-------------|---|------------------|-------|-----------------------------|----|----|----|----|----|----|----|----|----|---|---|
|             |            |     |            |             |               |               |             |   | Peculiar Att.Kit | Notes |                             |    |    |    |    |    |    |    |    |    |   |   |
| 4000 SERIES | 4x2        | All | Yes        | Chassis     | All           | All           | 10001       | 2B use 29053 & 29234 or HB5 use 29053 & 29235 | 7172             | 39    | --                          | -- | -- | -- | -- | -- | -- | -- | -- | -- | ? | ? |

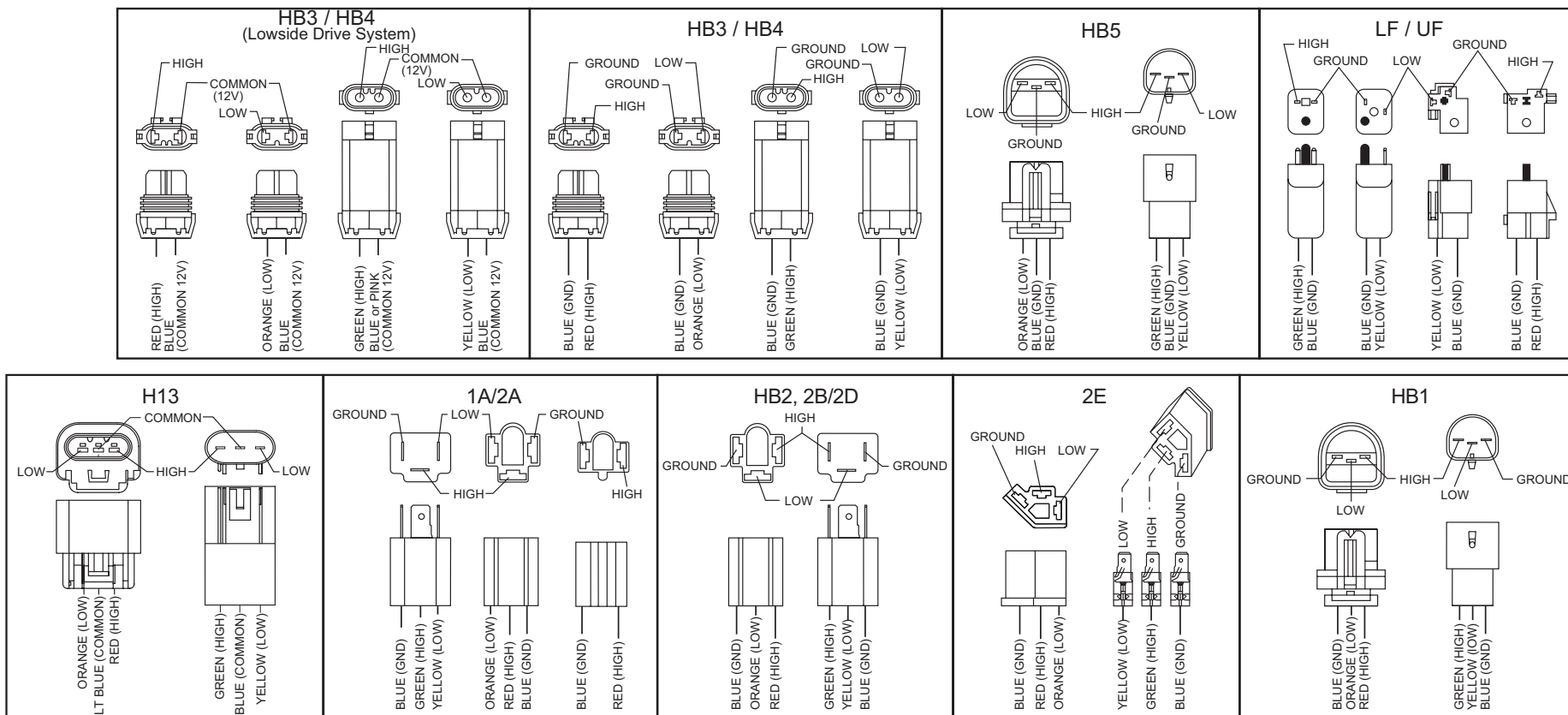
Notes:  
 1. Ballast amounts are based on a "Representative Vehicle," defined in the vehicle selection guide instructions, and must be modified for all other configurations for axle and GVWR compliance.  
 39. 27,500 max GVWR.

# Headlamp Reference Guide

**NOTE:** The lamp type is usually embossed in the headlamp lens.

**NOTE:** Blue ground wires may be LT or DK BLU, w/ or w/o WHT stripe, depending on harness.

| Headlamp Type | Bulb Type          | Headlamp Type | Bulb Type |
|---------------|--------------------|---------------|-----------|
| LF            | H4703              | 2E1           | H6545     |
| UF            | H4701              | H13           | 9008      |
| 1A1           | H4651              | HB1           | 9004      |
| 2A1           | H4652(GMC/Chevy)   | HB2           | 9003      |
| 2A1           | H4656 (Mitsubishi) | HB3           | 9005      |
| 2B1           | H6054              | HB4           | 9006      |
| 2D1           | H6024              | HB5           | 9007      |





# Snowplow Component Weights

| Off-Truck Assembly with Blade |                |         |      |        |                   |         |      |
|-------------------------------|----------------|---------|------|--------|-------------------|---------|------|
| Size                          | Blade Assembly | Wt (lb) | Z    | Size   | Blade Assembly    | Wt (lb) | Z    |
| 6'-8"                         | Personal Plow  | 239     | 20.4 | 8-1/2' | XBLADE Plow       | 813     | 26.5 |
| 7'-4"                         | Personal Plow  | 257     | 20.8 | 9'     | XBLADE Plow       | 835     | 27.0 |
| 6'-9"                         | LD             | 472     | 18.7 | 8-1/2' | EZ-V® Plow        | 808     | 16.0 |
| 7-1/2'                        | LD             | 487     | 19.7 | 9-1/2' | EZ-V Plow         | 870     | 16.0 |
| 7-1/2'                        | RD M           | 637     | 20.6 | 7-1/2' | XtremeV™ Snowplow | 821     | 18.3 |
| 8'                            | HD M           | 717     | 26.4 | 8-1/2' | XtremeV Snowplow  | 876     | 18.2 |
| 8-1/2'                        | HD M           | 731     | 26.5 | 9-1/2' | XtremeV Snowplow  | 1005    | 18.1 |
| 9'                            | HD M           | 745     | 26.6 | 9'     | MC                | 1350    | 25.5 |
| 7-1/2'                        | XBLADE™ Plow   | 742     | 24.5 | 10'    | MC                | 1410    | 26.0 |
| 8'                            | XBLADE Plow    | 790     | 26.0 |        |                   |         |      |

| On-Truck Attachment         |         |      |     |        |           |           |           |        |         |      |      |
|-----------------------------|---------|------|-----|--------|-----------|-----------|-----------|--------|---------|------|------|
| Kit #                       | Wt (lb) | X    | Y   | Kit #  | Wt (lb)   | X         | Y         | Kit #  | Wt (lb) | X    | Y    |
| <b>Homesteader™ Kits</b>    |         |      |     |        |           |           |           |        |         |      |      |
| 1203                        | 34.0    | 27.0 | 6.0 | 1533-1 | 31.0      | 26.0      | 5.0       | 31543  | 20.0    | 28.5 | 7.1  |
| 1213-1                      | 23.0    | 26.0 | 6.0 | 2303   | 41.0      | 29.0      | 6.0       | 32323  | 36.0    | 30.0 | 7.3  |
| 1223                        | 40.0    | 28.0 | 7.0 | 2313   | 30.0      | 27.0      | 5.0       | 33903  | 45.0    | 31.0 | 7.8  |
| 1233                        | 34.0    | 32.0 | 7.1 | 3713-1 | 20.0      | 26.0      | 5.0       | 42021  | 37.0    | 29.0 | 8.0  |
| 1503                        | 26.0    | 27.0 | 6.0 | 3723   | 35.0      | 21.4      | 5.0       |        |         |      |      |
| 1523                        | 26.0    | 30.0 | 6.0 | 31303  | 43.0      | 27.9      | 4.8       |        |         |      |      |
| <b>Minute Mount® 2 Kits</b> |         |      |     |        |           |           |           |        |         |      |      |
| 7124                        | 48.0    | 29.0 | 7.0 | 7156-1 | VARIABLES | VARIABLES | VARIABLES | 7169   | 45.0    | 35.0 | 10.0 |
| 7125                        | 48.0    | 32.0 | 8.0 | 7157   | 62.0      | 30.0      | 7.0       | 7170-2 | 54.0    | 36.0 | 7.0  |
| 7126                        | 88.0    | 31.0 | 8.0 | 7158   | 55.0      | 29.0      | 7.0       | 7171   | 111.0   | 39.0 | 7.0  |
| 7128                        | 110.0   | 31.0 | 8.0 | 7159-2 | 96.0      | 31.0      | 7.0       | 7172   | 174.0   | 39.0 | 9.8  |
| 7129                        | 78.0    | 32.0 | 8.0 | 7160   | 44.0      | 32.0      | 8.0       | 7173   | 73.0    | 31.0 | 9.8  |
| 7131                        | 126.0   | 31.0 | 8.0 | 7161   | 44.0      | 32.0      | 9.0       | 7174   | 37.0    | 32.0 | 7.1  |
| 7132                        | 118.0   | 31.0 | 8.0 | 7162-1 | 127.0     | 38.0      | 7.0       | 7175   | 30.0    | 32.3 | 8.1  |
| 7138                        | 48.0    | 32.0 | 8.0 | 7163-1 | 32.0      | 23.0      | 4.0       | 7176   | 52.0    | 34.6 | 10.2 |
| 7144                        | 73.0    | 32.0 | 8.0 | 7164   | 173.0     | 31.0      | 8.0       | 7177   | 111.0   | 39.0 | 7.0  |
| 7150                        | 60.0    | 31.0 | 8.0 | 7165   | 55.0      | 30.0      | 7.0       | 7178   | 37.0    | 32.5 | 8.1  |
| 7151-2                      | 191.0   | 30.0 | 8.0 | 7166   | 49.0      | 31.0      | 7.0       | 7179   | 115.0   | 38.0 | 7.0  |
| 7152-1                      | 215.0   | 31.0 | 8.0 | 7167   | 46.0      | 37.0      | 9.0       | 7180   | 45.0    | 34.0 | 8.5  |
| 7155                        | 55.0    | 30.0 | 7.0 | 7168   | 44.0      | 35.0      | 9.0       |        |         |      |      |

| Accessories   |         |                   |
|---|---------|-------------------|
| Description   | Kit #   | Added Plow Weight |
| Cutting Edge 7-1/2' LD/RD                             | 5532    | 59                |
| Cutting Edge 8' HD                                    | 5533    | 84                |
| Cutting Edge 8-1/2' HD                                | 26460   | 91                |
| Cutting Edge 9' HD                                    | 5534    | 95                |
| Cutting Edge 7-1/2' XBLADE Plow                       | 28575   | 59                |
| Cutting Edge 8' XBLADE Plow                           | 27580   | 84                |
| Cutting Edge 8-1/2' XBLADE Plow                       | 27585   | 91                |
| Cutting Edge 9' XBLADE Plow                           | 27590   | 95                |
| Cutting Edge 8-1/2' EZ-V Plow                         | 28408   | 82                |
| Cutting Edge 9-1/2' EZ-V Plow                         | 26593   | 103               |
| Deflector - Rubber 7-1/2', 8', 8-1/2', 9' RD/HD       | 22470-1 | 29,31,33,35       |
| Deflector - Rubber 7-1/2', 8', 8-1/2', 9' XBLADE Plow | 27600-1 | 32,33,34,35       |
| Deflector - Rubber 8-1/2' EZ-V Plow                   | 21619   | 45                |
| Deflector - Rubber 9-1/2' EZ-V Plow                   | 26572   | 50                |
| Deflector - Rubber 9' & 10' MC                        | 22390   | 53                |
| Deflector - Steel 6'-9"                               | 22269   | 24                |
| Deflector - Steel 7-1/2' LD/RD                        | 283     | 28                |
| Deflector - Steel 8'                                  | 26480   | 33                |
| Deflector - Steel 8-1/2'                              | 26485   | 35                |
| Deflector - Steel 9'                                  | 26490   | 36                |
| Poly Shoe Kit Personal Plow                           | 27710   | 3.3               |
| Shoe Kit LD Blades                                    | 27880   | 22                |
| Shoe Kit XBLADE – Curb/Wear Shoe                      | 27222   | 38                |
| Curb Shoe Kit – Pair 1/2"                             | 44405   | 35                |
| Curb Shoe Kit – Pair 5/8"                             | 44406   | 24                |
| SnoFoil® Assembly for 7-1/2', 8', 8-1/2', 9' M        | 27100   | 50                |
| SnoFoil Assembly 9' MC                                | 22380   | 64                |
| SnoFoil Assembly 10' MC                               | 22200   | 66                |

**NOTE:** An abbreviation key is on page 2.

**NOTE:** See next page for variable definitions.

**NOTE:** The addition of accessories to a snowplow or vehicle will require additional ballast above any amount published in this guide in order to maintain FMVSS compliance. Completed vehicle with additional accessories shall not exceed GVWR or GAWR.

# Snowplow Weight Calculation

Available vehicle capacities for aftermarket equipment and components can be determined by using the information in this guide along with information provided by the vehicle manufacturer's *Body Builder Guides*. Follow all requirements and recommendations of the vehicle manufacturer.

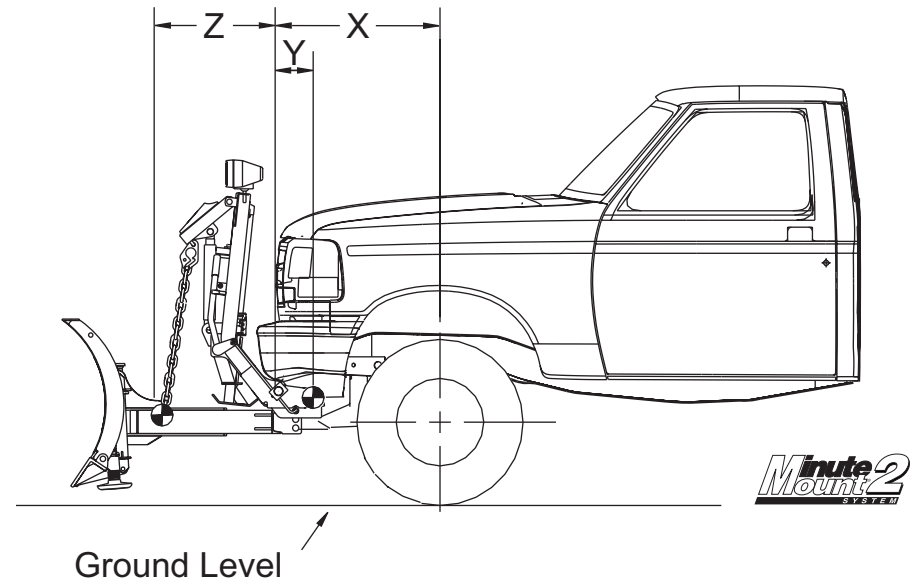
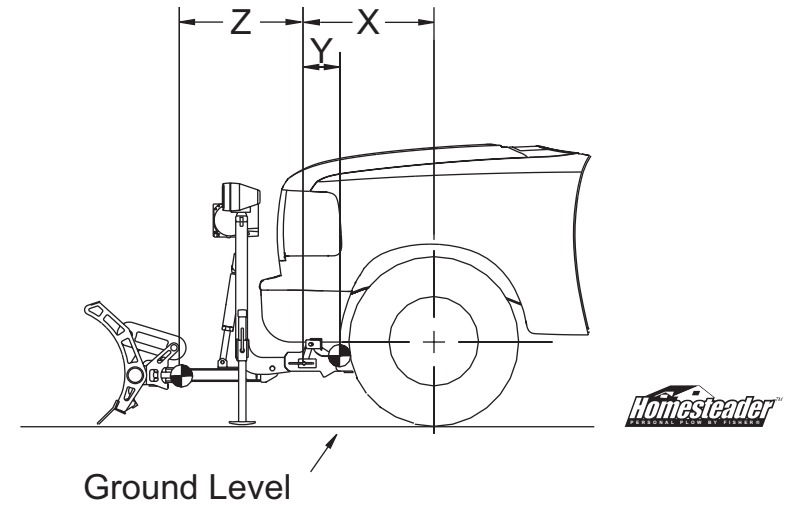
## VARIABLES

X = Distance from front axle to connecting pin.

Y = Distance from connecting pin to attachment Cg.

Z = Distance from connecting pin to plow Cg.

**NOTE:** An abbreviation key is on page 2.



# Ballast Inquiry Sheet



**FISHER ENGINEERING**  
 P.O. Box 529  
 Rockland, Maine 04841

Telephone (207) 701-4200  
 Fax (207) 596-2767

|                    |  |                   |
|--------------------|--|-------------------|
| <b>DISTRIBUTOR</b> |  | <b>TEL</b>        |
|                    |  | <b>FAX</b>        |
| <b>CUSTOMER</b>    |  | <b>DATE BUILT</b> |
| <b>VIN</b>         |  |                   |

## VEHICLE INFORMATION

|                               |   |                                    |   |
|-------------------------------|---|------------------------------------|---|
| <b>YEAR</b>                   |   |                                    |   |
| <b>MAKE</b>                   |   |                                    |   |
| <b>MODEL</b>                  |   |                                    |   |
| <b>DRIVE TRAIN</b>            | <input type="checkbox"/> 2WD (over 10,000 lb. GVW only) | <input type="checkbox"/> 4WD       | <input type="checkbox"/> ALL WHEEL <input type="text"/> OTHER |
| <b>DRW</b> (Dual Rear Wheels) | <input type="checkbox"/> YES                            | <input type="checkbox"/> NO        |   |
| <b>BODY STYLE</b>             | <input type="checkbox"/> REG CAB                        | <input type="checkbox"/> X-CAB     | <input type="text"/> OTHER                                    |
| <b>BOX OPTION(S)</b>          | <input type="checkbox"/> DUMP BOX                       | <input type="checkbox"/> STAKE BED | <input type="text"/> OTHER                                    |
| <b>ENGINE TYPE</b>            |   |                                    |   |
| <b>GFAWR</b>                  |   |                                    |   |
| <b>GRAWR</b>                  |   |                                    |   |
| <b>GVWR</b>                   |   |                                    |   |

### HORIZONTAL DISTANCE DESCRIPTION

|             |   |       |
|-------------|---|-------|
| <b>L31</b>  | DRIVER'S hip point; in MIDDLE position, to Centerline of FRONT axle | (in.) |
| <b>L101</b> | Between axles (Wheelbase)   | (in.) |
| <b>L104</b> | Middle of FRONT bumper to centerline of FRONT axle                  | (in.) |
|             | Middle of ballast location to centerline of REAR axle               | (in.) |

### VEHICLE WEIGHT (TRUCK MUST BE WEIGHED COMPLETE AND EMPTY (-) OCCUPANTS, PLOW & MOUNT)

|             |            |
|-------------|------------|
| FRONT (lb.) | REAR (lb.) |
|             |            |

### FUEL TANKS (ONLY NEEDED IF WEIGHED VEHICLE NOT FULLY FUELED)

|                    | LEVEL (see below) | CAPACITY (gal.) | LOCATION FROM REAR AXLE TO CENTER OF TANK (in.) |
|--------------------|-------------------|-----------------|---|
| FRONT OF REAR AXLE |                   |                 |   |
| REAR OF REAR AXLE  |                   |                 |   |

FUEL LEVEL (EMPTY = 0, HALF = 1/2, FULL = 1)

**THIS FORM MUST BE COMPLETED IN ITS ENTIRETY. ANY FORMS CONTAINING INCOMPLETE INFORMATION WILL NOT BE CONSIDERED. PLEASE RETURN VIA FAX (207) 596-2767.**

FISHER ENGINEERING and the vehicle manufacturer may require or recommend optional equipment for snow removal. See the FISHER ENGINEERING *Kit Selection Guide* for additional product information.



Fisher Engineering  
P.O. Box 529  
Rockland, ME 04841

 A SUBSIDIARY OF DOUGLAS DYNAMICS, L.L.C.

Fisher Engineering reserves the right under its product improvement policy to change construction or design details and furnish equipment when so altered without reference to illustrations or specifications used. Fisher Engineering or the vehicle manufacturer may require or recommend optional equipment for snow removal. Do not exceed vehicle ratings with a snowplow. Fisher Engineering offers a limited warranty for all snowplows and accessories. See separately printed page for this important information. The following are registered (®) or unregistered (™) trademarks of Douglas Dynamics, L.L.C.: EZ-V®, FISHER®, Fish-Stik®, Homesteader™, Insta-Act®, Minute Mount® 2, SnoFoil®, XBLADE™, XtremeV™.

Printed in U.S.A.