



**FISHER® Snowplows
w/3-Port Isolation Module
Kit Selection Guide
2008 Model Year**



November 1, 2008
Lit. No. 29308
Rev. 01

Fisher Engineering
50 Gordon Drive
Rockland, Maine 04841

This document supersedes all editions with an earlier date.

Table of Contents

General Information	3	Toyota Attachment Kits	21
Selection Example.....	5	Mitsubishi Attachment Kits	22
General Motors Attachment Kits	6	International Attachment Kits	24
Ford Attachment Kits	9	Headlamp Reference Guide.....	25
Dodge Attachment Kits.....	16	Snowplow Component Weights.....	27
Jeep Attachment Kits.....	19	Snowplow Weight Calculation.....	29
Nissan Attachment Kits	20	Ballast Inquiry Sheet.....	30

Abbreviation Key			
(2L)	Two-Lamp Light System	KSG	Kit Selection Guide
(4L)	Four-Lamp Light System	M/C	Municipal / Commercial
2WD	Two Wheel Drive	MM2	Minute Mount® 2 System
4WS	Four Wheel Steering (Option Code NYS)	MS	Mild Steel
ABS	Anti-Locking Braking System	Non-DRLs	Vehicles without Daytime Running Lights
AC	Air Conditioning	n/s	Not Specified
ALT	Alternator	OHC	Overhead Cam
AT	Automatic Transmission	PEC	Peculiar
Cg	Center of Gravity	SD	Standard Duty
D.I.	Direct Injection	SEHP	Solenoid Electric Hydraulic Pak
DRLs	Daytime Running Lights (vehicles with)	SS	Stainless Steel
DRW	Dual Rear Wheel	SUV	Sport Utility Vehicle
FFV	Flex Fuel Vehicle	W/	With
FGAWR	Front Gross Axle Weight Rating	W/O	Without
GAWR	Gross Axle Weight Rating	W/WO	With or Without
GVWR	Gross Vehicle Weight Rating	WB	Wheelbase
HD	Heavy Duty	X	XBLADE™ Snowplow
HO	High Output	XV	XtremeV™ Snowplow
HYD	Hydraulic		

FISHER® Snowplows Kit Selection Guide – 2008 Model Year

⚠ WARNING

New untitled vehicle installation of a snowplow requires National Highway Traffic Safety Administration altered vehicle certification labeling. Installer to verify that selected snowplow and ballast, if required, do not exceed GVWR or GAWR rating label and complies with FMVSS.

⚠ WARNING

Do not exceed GVWR or GAWR, including blade and ballast. The rating label is found on the driver-side vehicle door cornerpost.

General Information

The Kit Selection Guide (KSG) is designed to help you determine the appropriate snowplow components for a particular snowplow vehicle application. The information published in this guide is based on Federal Motor Vehicle Safety Standards (FMVSS) and a "representative" snowplow vehicle as defined in this guide. The vehicle includes a combined weight of 300 lb for occupants in the front seat location.

This KSG is for specific model year vehicles only and is listed on the front cover of this guide. This guide should be saved for future reference. New kit selection guides will be published for the upcoming model year and so on. The instructions on page 5 explain how to use the Kit Selection Guide.

The "Representative Vehicle"

Knowing that today's snowplow vehicles come in a variety of sizes and configurations (such as wheel base, engine size and handling packages), Fisher Engineering has defined a "representative vehicle" that contains the options most likely to appear on a typical snowplow application. The "representative vehicle" includes the following options:

- 4X4 Drivetrain (unless noted)
- Spare Tire & Wheel
- Automatic Transmission
- Rear Bumper
- Air Conditioning
- Full Fluids

NOTE: If the vehicle in question does not match a vehicle listing in the Kit Selection Guide, or has options that differ from the "Representative Vehicle" as defined earlier, the ballast inquiry sheet must be filled out and submitted in order to determine snowplow availability and correct ballast amounts to maintain FMVSS compliance. Completed vehicle at no time shall exceed GVWR or GAWR.

Snowplow Product

Snowplows are considered motor vehicle equipment. The installer is ultimately responsible for determining and correctly labeling the vehicle with the addition of snowplow selection. No product selected and installed shall render inoperative the vehicle's safety compliance.

FISHER® Snowplows Kit Selection Guide – 2008 Model Year

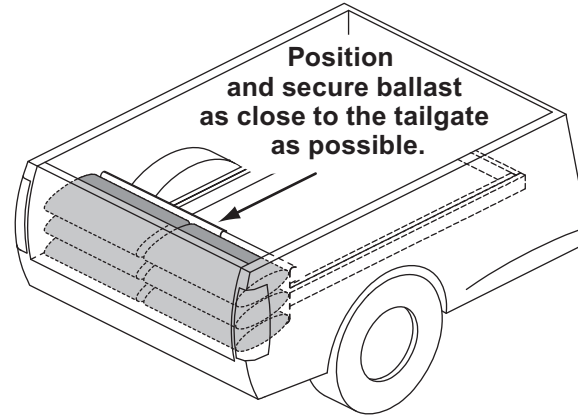
Product Changes

All information is as accurate as we can determine but is subject to revision with additional or more complete information. Fisher Engineering reserves the right under its product improvement policy to change construction or design details and furnish equipment when so altered without reference to illustrations or specifications used. Fisher Engineering or the vehicle manufacturer may require or recommend optional equipment for snow removal.

Ballast

When ballast is required it must be secured behind the rear wheels in a manner which prevents it from sliding during normal driving. Ballast shall not exceed 1000 lb.

Fisher Engineering offers an optional ballast retainer kit (62849) for this purpose.



NOTE: Ballast recommended and its weight calculations assume the entire width of the bed is filled as close to the tailgate as possible.

NOTE: The Universal Attachment Kit is recommended for vehicles with a minimum of 5,000 lb FGAWR only. Vehicles shall be rated between 14,000 and 27,500 GVWR for 9' MC and 10' MC snowplow installations. Snowplow and ballast or second unit bodies must comply with vehicle manufacturer's stated maximum gross vehicle weight (GVWR) and axle weight (GAWR) ratings. Vehicles must measure minimum of 22.5" from road to bottom of front frame for proper installation. Ballast Inquiry Sheet, if completed in full, can be faxed to (866) 855-2767 for assistance in snowplow and ballast recommendations. Weights for all snowplow products can be found in the current Kit Selection Guide. Snowplow headlamp kit must conform to vehicle lamp type.

Selection Example: Acme Motors 15000 VX with Minute Mount® 2 System

- Go to the section for the appropriate manufacturer.
- Go to the subsection for the desired snowplow type:
 - **Section 1:** Homesteader™, SD-Series & HD-Series Snowplows
 - **Section 2:** XBLADE™, MC-Series, XtremeV™ & XLS™ Snowplows
- Start at the left-most column, find the **model** and appropriate configuration for the vehicle. In this case, 4X4, Regular Cab, 6.5 ft box, 5.3L V8 engine, 3,925 lb minimum FGAWR.
- Locate the **peculiar light kit** for this vehicle: 29048. See Headlamp Reference Guide in the back of the *Kit Selection Guide* for more information.
- Locate the **peculiar attachment kit** for this vehicle: 1523 for Homesteader™ system or 7168 for Minute Mount 2 system. Refer to any footnotes concerning conditions or requirements. For this example, the Minute Mount 2 system is selected and has two footnotes: 1 and 6.
- Locate the acceptable blades at the top of the table. Only those blades with ballast weights listed are valid applications. Three short dashes (---) indicate an invalid application. A question mark (?) indicates a ballast inquiry sheet must be completed.
- For this example, there are four acceptable blades. Choose the 8' HD. This blade requires 600 lb of ballast.
- To order components for a complete snowplow package, read down from the top of the selected blade column to determine the part numbers. Be sure to select an Isolation Module and *one* control, either joystick or hand-held. For this example, the part numbers would be:
 - 28000 (blade)
 - 27777 (common attachment / headgear kit)
 - 9840-2 (hydraulic kit)
 - 28800 (common light kit)
 - DRLs 29070-1, Non-DRLs: 29760 (module)
 - 9400 or 8292 (control)
 - 29048 (peculiar light kit, from Step 4)
 - 7168 (peculiar attachment kit, from Step 5 – *must match blade*)

2008 Acme Motors

Section 1 Homesteader™, SD-Series & HD-Series Snowplows

Model	Body Style	DRW	Box Option	Engine Type	Min FGAWR	Min RGAWR	Min GVWR	Peculiar Light Kit	Personal Plow system		Ballast Guidelines, lb (1)				MM2 system		Ballast Guidelines, lb (1)				
									Peculiar Att. Kit	Notes	Peculiar Att. Kit	Notes	Peculiar Att. Kit	Notes	Peculiar Att. Kit	Notes					
15000 RS	4x4	Reg Cab	No	6.5 Box	4.3L V6	3925	3750	6400	1523	3.6,8	---	100	7168	6	---	300	450	550	600	---	
15000 TU	4x4	Reg Cab	No	6.5 Box	4.8L V8	3925	3750	6400	1523	3.6,8	---	150	7168	6	---	350	500	650	650	---	
15000 VX	4x4	Reg Cab	No	6.5 Box	5.3L V8	3925	3750	6400	HB3/HB4 use 29048	1523	3.6,8	---	100	7168	6	---	350	500	600	600	---

Homesteader™		Minute Mount 2	
Blade Length	Blade Assembly	Blade Length	Blade Assembly
6'-8"	Personal	7'-4"	Personal
Blade Part Number	27547	27549	
Common Attachment Kit/Headgear Kit	27550		
Hydraulic Kit	27517		
Common Light	8435		
Choose Module	DRLs: 29070-1, Non-DRLs: 29760		
Choose a Hand-Held Control or a Joystick Control	9400		
	8292		

Blade Length	Blade Assembly	Blade Part Number	Common Attachment Kit/Headgear Kit	Hydraulic Kit	Common Light	Choose Module	Choose a Hand-Held Control or a Joystick Control
6'-9"	SD	28069	27750-1	9825-1	28800	DRLs: 29070-1, Non-DRLs: 29760	9400
7'-12"	SD	27775	27750-1	9825-1	28800	DRLs: 29070-1, Non-DRLs: 29760	9400
7'-12"	HD	27500	27777	9840-2	28800	DRLs: 29070-1, Non-DRLs: 29760	8292
8'	HD	28000	27777	9840-2	28800	DRLs: 29070-1, Non-DRLs: 29760	8292
8'-12"	HD	28500	27777	9840-2	28800	DRLs: 29070-1, Non-DRLs: 29760	8292
9'	HD	29000	27777	9840-2	28800	DRLs: 29070-1, Non-DRLs: 29760	8292

- Notes:**
- Ballast amounts are based on a "Representative Vehicle," defined in the vehicle selection guide instructions, and must be modified for all other configurations for axle and GVWR compliance.
 - Requires bumper notching.

- All New Style Only (2nd # in model # is 5 not 0) example: K15903. Refer to label in glove box for model number.
- These Snowplows Are For Personal/Homeowner Use Only.

2008 General Motors

Section 1

Homesteader™, SD-Series & HD-Series Snowplows



Blade Length	6'-8"	7'-4"
Blade Assembly	Personal	Personal
Blade Part Number	27547	27549
Common Attachment Kit / Headgear Kit	27550	
Hydraulic Kit	27517	
Common Light	8435	
Choose Module	DRLs: 29070, Non-DRLs: 29060	
Choose a Hand-Held Control or a Joystick Control	9400	
	8292	



6'-9" SD	7'-1/2" SD	7'-1/2" HD	8' HD	8-1/2" HD	9' HD
28069	27775	27500	28000	28500	29000
27750-1		27777			
9825-1		9840-2			
28800					
DRLs: 29070, Non-DRLs: 29060					
9400					
8292					

Model	Body Style	DRW	Box Option	Engine Type	Min F G A W R	Min R G A W R	Min G V W R	Peculiar Light Kit	Personal Plow System		Ballast Guidelines, lb (1)		MM2 System		Ballast Guidelines, lb (1)							
									Peculiar Att. Kit	Notes	Peculiar Att. Kit	Notes	Peculiar Att. Kit	Notes								
TRAILBLAZER/ENVOY	4x4	SU-4DR	No	---	4.2L I6	2950	3200	5750	HB3/HB4 use 29052	1533-1	8	70	160	n/a	---	---	---	---	---	---	---	---
TAHOE/YUKON 1500	4x4	SU-4DR	No	---	5.3L V8	3600	4100	7300	HB3/H11 use 29400-2 or H13 use 29049	31553	3,8	---	0	7182	3	---	---	---	---	---	---	---
SUBURBAN/YUKON XL 2500	4x4	SU-4DR	No	---	6.0L V8	4180	5500	8600		n/a	---	---	---	7169	3,48	---	0	---	---	---	---	---
COLORADO/CANYON	4x4	Reg Cab	No	6.1 Box	2.9L I4	2753	2896	5150	HB3/HB4 US use 29048 or HB3/HB4 Canada use 29048	31543-1	3,8	20	40	7175	3	---	---	---	---	---	---	---
COLORADO/CANYON	4x4	Reg Cab	No	6.1 Box	3.7L I5	2753	2896	5150		31543-1	3,8	30	50	7175	3	---	---	---	---	---	---	---
COLORADO/CANYON	4x4	Ext Cab	No	6.1 Box	2.9L I4	2753	2896	5300		31543-1	3,8	30	40	7175	3	---	---	---	---	---	---	---
COLORADO/CANYON	4x4	Ext Cab	No	6.1 Box	3.7L I5	2753	2896	5300		31543-1	3,8	90	180	7175	3	---	---	---	---	---	---	---
COLORADO/CANYON	4x4	Crew Cab	No	5.0 Box	3.7L I5	2753	2896	5300		31543-1	3,8	30	110	7175	3	---	---	---	---	---	---	---
K1500 SILV/SIERRA	4x4	Reg Cab	No	6.5 Box	4.3L V6	3950	3750	6400		31553	3,8	---	50	7182	3	---	290	---	---	---	---	---
K1500 SILV/SIERRA	4x4	Reg Cab	No	6.5 Box	4.8L V8	3950	3750	6400		31553	3,8	---	90	7182	3	---	320	---	---	---	---	---
K1500 SILV/SIERRA	4x4	Reg Cab	No	6.5 Box	5.3L V8	3950	3750	6400		31553	3,8	---	100	7182	3	---	330	---	---	---	---	---
K1500 SILV/SIERRA	4x4	Reg Cab	No	8.0 Box	4.3L V6	3950	3950	6800		31553	3,8	---	60	7182	3	---	280	---	---	---	---	---
K1500 SILV/SIERRA	4x4	Reg Cab	No	8.0 Box	4.3L V6	3950	3750	6400		31553	3,8	---	60	7182	3	---	280	---	---	---	---	---
K1500 SILV/SIERRA	4x4	Reg Cab	No	8.0 Box	4.8L V8	3950	3950	6800		31553	3,8	---	100	7182	3	---	430	---	---	---	---	---
K1500 SILV/SIERRA	4x4	Reg Cab	No	8.0 Box	4.8L V8	3950	3750	6400		31553	3,8	---	100	7182	3	---	---	---	---	---	---	---
K1500 SILV/SIERRA	4x4	Reg Cab	No	8.0 Box	5.3L V8	3950	3950	6800		31553	3,8	---	100	7182	3	---	490	---	---	---	---	---
K1500 SILV/SIERRA	4x4	Reg Cab	No	8.0 Box	5.3L V8	3950	3750	6400		31553	3,8	---	100	7182	3	---	---	---	---	---	---	---
K1500 SILV/SIERRA	4x4	Ext Cab	No	5.8 Box	4.8L V8	3950	3950	6800		31553	3,8	---	0	7182	3	---	---	---	---	---	---	---
K1500 SILV/SIERRA	4x4	Ext Cab	No	5.8 Box	5.3L V8	3950	3950	6800		31553	3,8	---	0	7182	3	---	---	---	---	---	---	---
K1500 SILV/SIERRA	4x4	Ext Cab	No	5.8 Box	6.0L V8	3950	3950	6800		31553	3,8	---	0	7182	3	---	300	---	---	---	---	---
K1500 SILV/SIERRA	4x4	Ext Cab	No	6.5 Box	4.8L V8	3950	4200	7200	HB3/H11 use 29400-2	31553	3,8	---	50	7182	3	---	---	---	---	---	---	---
K1500 SILV/SIERRA	4x4	Ext Cab	No	6.5 Box	4.8L V8	3950	3950	7000		31553	3,8	---	50	7182	3	---	---	---	---	---	---	---
K1500 SILV/SIERRA	4x4	Ext Cab	No	6.5 Box	5.3L V8	3950	4200	7200		31553	3,8	---	50	7182	3	---	---	---	---	---	---	---
K1500 SILV/SIERRA	4x4	Ext Cab	No	6.5 Box	5.3L V8	3950	3950	7000		31553	3,8	---	50	7182	3	---	---	---	---	---	---	---
K1500 SILV/SIERRA	4x4	Ext Cab	No	6.5 Box	6.0L V8	3950	4200	7200		31553	3,8	---	10	7182	3	---	770	---	---	---	---	---
K1500 SILV/SIERRA	4x4	Ext Cab	No	6.5 Box	6.0L V8	3950	3950	7000		31553	3,8	---	10	7182	3	---	770	---	---	---	---	---
K1500 SILV/SIERRA	4x4	Ext Cab	No	8.0 Box	5.3L V8	3950	3950	7000		31553	3,8	---	40	7182	3	---	---	---	---	---	---	---
K1500 SILV/SIERRA	4x4	Crew Cab	No	5.8 Box	4.8L V8	3950	4200	7300		31553	3,8	---	0	7182	3	---	---	---	---	---	---	---
K1500 SILV/SIERRA	4x4	Crew Cab	No	5.8 Box	4.8L V8	3950	3950	7000		31553	3,8	---	0	7182	3	---	---	---	---	---	---	---
K1500 SILV/SIERRA	4x4	Crew Cab	No	5.8 Box	5.3L V8	3950	4200	7300		31553	3,8	---	0	7182	3	---	530	---	---	---	---	---
K1500 SILV/SIERRA	4x4	Crew Cab	No	5.8 Box	5.3L V8	3950	3950	7000		31553	3,8	---	0	7182	3	---	530	---	---	---	---	---
K1500 SILV/SIERRA	4x4	Crew Cab	No	5.8 Box	6.0L V8	3950	4200	7300		31553	3,8	---	0	7182	3	---	550	---	---	---	---	---
K1500 SILV/SIERRA	4x4	Crew Cab	No	5.8 Box	6.0L V8	3950	3950	7000		31553	3,8	---	0	7182	3	---	550	---	---	---	---	---

Notes:
 1. Ballast amounts are based on a "Representative Vehicle," defined in the vehicle selection guide instructions, and must be modified for all other configurations for axle and GVWR compliance.
 3. Requires bumper notching.

8. These Snowplows Are For Personal/Homeowner Use Only.
 48. Snowplow prep package required until further notice.

2008 General Motors

Section 1

Homesteader™, SD-Series & HD-Series Snowplows



Blade Length	6'-8"	7'-4"
Blade Assembly	Personal	Personal
Blade Part Number	27547	27549
Common Attachment Kit / Headgear Kit	27550	
Hydraulic Kit	27517	
Common Light	8435	
Choose Module	DRLs: 29070, Non-DRLs: 29060	
Choose a Hand-Held Control or a Joystick Control	9400 8292	



6'-9" SD	7'-1/2" SD	7'-1/2" HD	8' HD	8-1/2" HD	9' HD
28069	27775	27500	28000	28500	29000
27750-1		27777			
9825-1		9840-2			
28800					
DRLs: 29070, Non-DRLs: 29060					
9400					
8292					

Model	Body Style	DRW	Box Option	Engine Type	Min F G A W R	Min R G A W R	Min G V W R	Peculiar Light Kit	Personal Plow System		Ballast Guidelines, lb (1)	MM2 System		Ballast Guidelines, lb (1)					
									Peculiar Att. Kit	Notes		Peculiar Att. Kit	Notes						
K2500HD SILV/SIERRA	4x4	Reg Cab	No	8.0 Box	6.0L V8	4800	6084	9200	n/a	---	---	7169	3,48	---	---	270	370	380	390
K2500HD SILV/SIERRA	4x4	Reg Cab	No	8.0 Box	6.6L D	4860	6084	9200	n/a	---	---	7169	3,48	---	---	750	---	---	---
K2500HD SILV/SIERRA	4x4	Reg Cab	No	8.0 Box	6.6L D	4800	6084	9200	n/a	---	---	7169	3,48	---	---	960	---	---	---
K2500HD SILV/SIERRA	4x4	Ext Cab	No	6.5 Box	6.0L V8	4800	6084	9200	n/a	---	---	7169	3,48	---	---	280	380	390	400
K2500HD SILV/SIERRA	4x4	Ext Cab	No	8.0 Box	6.0L V8	4800	6084	9200	n/a	---	---	7169	3,48	---	---	210	300	310	330
K2500HD SILV/SIERRA	4x4	Crew Cab	No	6.5 Box	6.0L V8	4800	6084	9200	n/a	---	---	7169	3,48	---	---	160	260	270	290
K2500HD SILV/SIERRA	4x4	Crew Cab	No	8.0 Box	6.0L V8	4800	6084	9200	n/a	---	---	7169	3,48	---	---	120	210	230	240
K3500 SILV/SIERRA	4x4	Reg Cab	No	8.0 Box	6.0L V8	4800	6390	9900	n/a	---	---	7169	3,48	---	---	---	240	250	260
K3500 SILV/SIERRA	4x4	Reg Cab	No	Chassis	n/a	n/a	n/a	8501	n/a	---	---	7169	3,48	---	---	---	?	?	?
K3500 SILV/SIERRA	4x4	Reg Cab	Yes	8.0 Box	6.0L V8	4800	8200	11400	n/a	---	---	7169	3,48	---	---	---	---	170	190
K3500 SILV/SIERRA	4x4	Reg Cab	Yes	Chassis	n/a	n/a	n/a	8501	n/a	---	---	7169	3,48	---	---	---	---	?	?
K3500 SILV/SIERRA	4x4	Ext Cab	No	8.0 Box	6.0L V8	4800	6390	9900	n/a	---	---	7169	3,48	---	---	---	130	140	160
K3500 SILV/SIERRA	4x4	Ext Cab	No	Chassis	n/a	n/a	n/a	8501	n/a	---	---	7169	3,48	---	---	---	?	?	?
K3500 SILV/SIERRA	4x4	Ext Cab	Yes	8.0 Box	6.0L V8	4800	8200	11400	n/a	---	---	7169	3,48	---	---	---	---	60	70
K3500 SILV/SIERRA	4x4	Ext Cab	Yes	Chassis	n/a	n/a	n/a	8501	n/a	---	---	7169	3,48	---	---	---	---	?	?
K3500 SILV/SIERRA	4x4	Crew Cab	No	8.0 Box	6.0L V8	4800	6390	9900	n/a	---	---	7169	3,48	---	---	---	120	130	150
K3500 SILV/SIERRA	4x4	Crew Cab	No	Chassis	n/a	n/a	n/a	8501	n/a	---	---	7169	3,48	---	---	---	?	?	?
K3500 SILV/SIERRA	4x4	Crew Cab	Yes	8.0 Box	6.0L V8	4800	8200	11400	n/a	---	---	7169	3,48	---	---	---	---	50	80
K3500 SILV/SIERRA	4x4	Crew Cab	Yes	Chassis	n/a	n/a	n/a	8501	n/a	---	---	7169	3,48	---	---	---	---	?	?
C3500 SILV/SIERRA	4x2	Reg Cab	Yes	Chassis	n/a	n/a	n/a	10001	n/a	---	---	7169	---	---	---	---	---	?	?
C3500 SILV/SIERRA	4x2	Ext Cab	Yes	Chassis	n/a	n/a	n/a	10001	n/a	---	---	7169	---	---	---	---	---	?	?
C3500 SILV/SIERRA	4x2	Crew Cab	Yes	Chassis	n/a	n/a	n/a	10001	n/a	---	---	7169	---	---	---	---	---	?	?

Notes:
1. Ballast amounts are based on a "Representative Vehicle," defined in the vehicle selection guide instructions, and must be modified for all other configurations for axle and GVWR compliance.

3. Requires bumper notching.
48. Snowplow prep package required until further notice.

2008 General Motors

Section 2 XBLADE™, MC-Series, XtremeV™ & XLS™ Snowplows

	7-1/2'	8'	8'	8-1/2'	9'	9'	9'	10'	7-1/2'	8-1/2'	8-1/2'	9-1/2'	9-1/2'	8'-10'
Blade Length	X SS	X SS	X Poly	X SS	X SS	X Poly	MC	MC	XV SS	XV MS	XV SS	XV MS	XV SS	XV MS
Blade Assembly	27510-1	28100-1	29618-1	28510-1	29100-1	29619-1	29250	29350	44775-1	44675-1	44785-1	44685-1	44795-1	44695-1
Blade Part Number	28900	27777	28900	27777	29999	29999	44650-1	44600-1	44650-1	44600-1	44650-1	44600-1	44650-1	50810
Common Attachment Kit / Headgear Kit	n/a						28665	n/a						
A-Frame Kit	9840-2						9835-1	n/a						
Hydraulic Kit	28800						n/a							
Common Light	DRLs: 29070, Non-DRLs: 29060													
Choose Module	9400						29800							
Choose a Hand-Held Control or a Joystick Control	8292						49900							

Model	Body Style	DRW	Box Option	Engine Type	Min F G A W R	Min R G A W R	Min G V W R	Peculiar Light Kit	MM2 System		Ballast Guidelines, lb (1)																
									Peculiar Att. Kit	Notes	7169	3,48	380	430	360	450	470	390	---	---	430	430	470	470	560	560	590
K2500HD SILV/SIERRA	4x4	Reg Cab	No	8.0 Box	6.0L V8	4800	6084	9200	HB3/H11 use 29400-2	7169	3,48	380	430	360	450	470	390	---	---	430	430	470	470	560	560	590	
K2500HD SILV/SIERRA	4x4	Ext Cab	No	6.5 Box	6.0L V8	4800	6084	9200		7169	3,48	390	440	370	460	490	400	---	---	440	440	480	480	---	---	---	
K2500HD SILV/SIERRA	4x4	Ext Cab	No	8.0 Box	6.0L V8	4800	6084	9200		7169	3,48	310	360	290	380	410	330	---	---	360	360	470	470	---	---	---	
K2500HD SILV/SIERRA	4x4	Crew Cab	No	6.5 Box	6.0L V8	4800	6084	9200		7169	3,48	270	320	250	350	370	290	---	---	330	330	370	370	---	---	---	
K2500HD SILV/SIERRA	4x4	Crew Cab	No	8.0 Box	6.0L V8	4800	6084	9200		7169	3,48	230	270	210	290	420	240	---	---	320	320	580	580	---	---	---	
K3500 SILV/SIERRA	4x4	Reg Cab	No	8.0 Box	6.0L V8	4800	6390	9900		7169	3,48	250	300	230	320	340	260	---	---	300	300	340	340	430	430	460	
K3500 SILV/SIERRA	4x4	Reg Cab	No	Chassis	n/a	n/a	n/a	8501		7169	3,48	?	?	?	?	?	?	---	---	?	?	?	?	?	?	?	
K3500 SILV/SIERRA	4x4	Reg Cab	Yes	8.0 Box	6.0L V8	4800	8200	11400		7169	3,48	---	---	---	250	270	190	---	---	---	260	260	530	530	570	570	
K3500 SILV/SIERRA	4x4	Reg Cab	Yes	Chassis	n/a	n/a	n/a	8501		7169	3,48	---	---	---	?	?	?	---	---	---	?	?	?	?	?	?	
K3500 SILV/SIERRA	4x4	Ext Cab	No	8.0 Box	6.0L V8	4800	6390	9900		7169	3,48	140	190	120	210	230	160	---	---	190	190	240	240	890	890	910	
K3500 SILV/SIERRA	4x4	Ext Cab	No	Chassis	n/a	n/a	n/a	8501		7169	3,48	?	?	?	?	?	?	---	---	?	?	?	?	?	?	?	
K3500 SILV/SIERRA	4x4	Ext Cab	Yes	8.0 Box	6.0L V8	4800	8200	11400		7169	3,48	---	---	---	130	230	70	---	---	---	---	370	370	---	---	---	
K3500 SILV/SIERRA	4x4	Ext Cab	Yes	Chassis	n/a	n/a	n/a	8501		7169	3,48	---	---	---	?	?	?	---	---	---	---	?	?	?	?	?	
K3500 SILV/SIERRA	4x4	Crew Cab	No	8.0 Box	6.0L V8	4800	6390	9900		7169	3,48	130	180	110	290	420	150	---	---	320	320	580	580	---	---	---	
K3500 SILV/SIERRA	4x4	Crew Cab	No	Chassis	n/a	n/a	n/a	8501		7169	3,48	?	?	?	?	?	?	---	---	?	?	?	?	?	?	?	
K3500 SILV/SIERRA	4x4	Crew Cab	Yes	8.0 Box	6.0L V8	4800	8200	11400		7169	3,48	---	---	---	450	570	120	---	---	---	---	810	810	---	---	---	
K3500 SILV/SIERRA	4x4	Crew Cab	Yes	Chassis	n/a	n/a	n/a	8501		7169	3,48	---	---	---	?	?	?	---	---	---	---	?	?	?	?	?	
C3500 SILV/SIERRA	4x2	Reg Cab	Yes	Chassis	n/a	n/a	n/a	10001		HB3/HB4 use 29048	7169	---	---	---	?	?	?	---	---	---	---	?	?	?	?	?	
C3500 SILV/SIERRA	4x2	Ext Cab	Yes	Chassis	n/a	n/a	n/a	10001			7169	---	---	---	---	?	?	?	---	---	---	---	?	?	?	?	?
C3500 SILV/SIERRA	4x2	Crew Cab	Yes	Chassis	n/a	n/a	n/a	10001			7169	---	---	---	---	?	?	?	---	---	---	---	?	?	?	?	?
C4500	4x4	n/a	Yes	Chassis	n/a	n/a	n/a	10001	2B use 29053 or 1A/2A use 29053	7177	2	---	---	---	?	?	?	---	---	---	---	?	?	?	?	?	
C4500	4x2	n/a	Yes	Chassis	n/a	n/a	n/a	10001		7171	2	---	---	---	?	?	?	---	---	---	---	?	?	?	?	?	
C5500	4x4	n/a	Yes	Chassis	n/a	n/a	n/a	10001		7177	2	---	---	---	?	?	?	---	---	---	---	?	?	?	?	?	
C5500	4x2	n/a	Yes	Chassis	n/a	n/a	n/a	10001	7171	2	---	---	---	?	?	?	---	---	---	---	?	?	?	?	?		

- Notes:**
- Ballast amounts are based on a "Representative Vehicle," defined in the vehicle selection guide instructions, and must be modified for all other configurations for axle and GVWR compliance.
 - Recommended snowplow prep package whenever available.

- Requires bumper notching.
- Snowplow prep package required until further notice.

2008 Ford

Section 1 Homesteader™, SD-Series & HD-Series Snowplows



Blade Length	6'-8"	7'-4"
Blade Assembly	Personal	Personal
Blade Part Number	27547	27549
Common Attachment Kit / Headgear Kit	27550	
Hydraulic Kit	27517	
Common Light	8435	
Choose Module	DRLs: 29070, Non-DRLs: 29060	
Choose a Hand-Held Control or a Joystick Control	9400 8292	



6'-9" SD	7'-1/2" SD	7'-1/2" HD	8' HD	8-1/2" HD	9' HD
28069	27775	27500	28000	28500	29000
27750-1			27777		
9825-1			9840-2		
28800					
DRLs: 29070, Non-DRLs: 29060					
9400					
8292					

Model	Body Style	DRW	Box Option	Engine Type	Min F G A W R	Min R G A W R	Min G V W R	Peculiar Light Kit	Personal Plow System		Ballast Guidelines, lb (1)	MM2 System		Ballast Guidelines, lb (1)														
									Peculiar Att. Kit	Notes		Peculiar Att. Kit	Notes															
EXPLORER SPORT TRAC	4x4	---	No	4.0 Box	4.0L V6	3140	3340	6160	H13 use 29049	31243	8	230	350	n/a	---	---	---	---	---	---	---	---	---	---	---			
EXPLORER SPORT TRAC	4x4	---	No	4.0 Box	4.6L V8	3140	3340	6193		31243	8	640	---	n/a	---	---	---	---	---	---	---	---	---	---	---	---		
RANGER	4x4	Reg Cab	No	6.0 Box	3.0L V6	2710	2750	5000	HB5 use 29050	1203	8	80	100	n/a	---	---	---	---	---	---	---	---	---	---	---			
RANGER	4x4	Reg Cab	No	6.0 Box	3.0L V6	2710	2550	4780		1203	8	80	100	n/a	---	---	---	---	---	---	---	---	---	---	---	---		
RANGER	4x4	Reg Cab	No	6.0 Box	3.0L V6	2510	2750	5000		1203	8	470	560	n/a	---	---	---	---	---	---	---	---	---	---	---	---		
RANGER	4x4	Reg Cab	No	6.0 Box	3.0L V6	2510	2550	4780		1203	8	470	560	n/a	---	---	---	---	---	---	---	---	---	---	---	---		
RANGER	4x4	Reg Cab	No	7.0 Box	4.0L V6	2710	2750	5040		1203	8	70	90	n/a	---	---	---	---	---	---	---	---	---	---	---	---		
RANGER	4x4	Reg Cab	No	7.0 Box	4.0L V6	2710	2550	4840		1203	8	70	90	n/a	---	---	---	---	---	---	---	---	---	---	---	---		
RANGER	4x4	Reg Cab	No	7.0 Box	4.0L V6	2510	2750	5040		1203	8	560	640	n/a	---	---	---	---	---	---	---	---	---	---	---	---		
RANGER	4x4	Reg Cab	No	7.0 Box	4.0L V6	2510	2550	4840		1203	8	560	---	n/a	---	---	---	---	---	---	---	---	---	---	---	---		
RANGER	4x4	Super Cab	No	6.0 Box	4.0L V6	2850	2750	5380		H13 use 29049	1203	8	310	400	n/a	---	---	---	---	---	---	---	---	---	---	---		
RANGER	4x4	Super Cab	No	6.0 Box	4.0L V6	2850	2750	5280			1203	8	100	120	n/a	---	---	---	---	---	---	---	---	---	---	---	---	
RANGER	4x4	Super Cab	No	6.0 Box	4.0L V6	2850	2750	5140			1203	8	100	120	n/a	---	---	---	---	---	---	---	---	---	---	---	---	
RANGER	4x4	Super Cab	No	6.0 Box	4.0L V6	2850	2600	5140			1203	8	100	120	n/a	---	---	---	---	---	---	---	---	---	---	---	---	
RANGER	4x4	Super Cab	No	6.0 Box	4.0L V6	2850	2600	5000			1203	8	100	120	n/a	---	---	---	---	---	---	---	---	---	---	---	---	
RANGER	4x4	Super Cab	No	6.0 Box	4.0L V6	2710	2750	5280			1203	8	350	440	n/a	---	---	---	---	---	---	---	---	---	---	---	---	
RANGER	4x4	Super Cab	No	6.0 Box	4.0L V6	2710	2750	5140			1203	8	350	440	n/a	---	---	---	---	---	---	---	---	---	---	---	---	
RANGER	4x4	Super Cab	No	6.0 Box	4.0L V6	2710	2600	5140			1203	8	350	440	n/a	---	---	---	---	---	---	---	---	---	---	---	---	
RANGER	4x4	Super Cab	No	6.0 Box	4.0L V6	2710	2600	5000			1203	8	350	440	n/a	---	---	---	---	---	---	---	---	---	---	---	---	
F150	4x4	Reg Cab	No	6.5 Box	4.6L V8	3600	3500	6800			H13 use 29049	1233	8	---	0	7174	3	---	590	---	---	---	---	---	---	---	---	---
F150	4x4	Reg Cab	No	6.5 Box	4.6L V8	3450	3500	6800				1233	8	---	10	7174	3	---	---	---	---	---	---	---	---	---	---	---
F150	4x4	Reg Cab	No	6.5 Box	4.6L V8	3400	3500	6800				1233	8	---	180	7174	3	---	---	---	---	---	---	---	---	---	---	---
F150	4x4	Reg Cab	No	6.5 Box	5.4L V8	3600	3500	6850	1233	8		---	0	7174	3	---	---	---	---	---	---	---	---	---	---	---		
F150	4x4	Reg Cab	No	6.5 Box	5.4L V8	3450	3500	6850	1233	8		---	350	7174	3	---	---	---	---	---	---	---	---	---	---	---		
F150	4x4	Reg Cab	No	6.5 Box	5.4L V8	3400	3500	6850	1233	8		---	510	7174	3	---	---	---	---	---	---	---	---	---	---	---		
F150	4x4	Reg Cab	No	8.0 Box	4.6L V8	3600	3800	6950	1233	8		---	40	7174	3	---	---	---	---	---	---	---	---	---	---	---		
F150	4x4	Reg Cab	No	8.0 Box	4.6L V8	3450	3800	6950	1233	8		---	550	7174	3	---	---	---	---	---	---	---	---	---	---	---		
F150	4x4	Reg Cab	No	8.0 Box	5.4L V8	4300	4800	8200	1233	8		---	0	7174	3	---	---	170	290	530	600	---	---	---	---	---		
F150	4x4	Reg Cab	No	8.0 Box	5.4L V8	4050	4800	8200	1233	8		---	0	7174	3	---	---	170	---	---	---	---	---	---	---	---		
F150	4x4	Reg Cab	No	8.0 Box	5.4L V8	3750	3850	6950	1233	8		---	50	7174	3	---	---	---	---	---	---	---	---	---	---	---		
F150	4x4	Reg Cab	No	8.0 Box	5.4L V8	3600	3850	6950	1233	8		---	380	7174	3	---	---	---	---	---	---	---	---	---	---	---		

Notes:
 1. Ballast amounts are based on a "Representative Vehicle," defined in the vehicle selection guide instructions, and must be modified for all other configurations for axle and GVWR compliance.
 2. Requires bumper notching.
 3. Requires bumper notching.
 4. Requires bumper notching.
 5. Requires bumper notching.
 6. Requires bumper notching.
 7. Requires bumper notching.
 8. These Snowplows Are For Personal/Homeowner Use Only.

2008 Ford

Section 1 Homesteader™, SD-Series & HD-Series Snowplows



Blade Length	6'-8"	7'-4"
Blade Assembly	Personal	Personal
Blade Part Number	27547	27549
Common Attachment Kit / Headgear Kit	27550	
Hydraulic Kit	27517	
Common Light	8435	
Choose Module	DRLs: 29070, Non-DRLs: 29060	
Choose a Hand-Held Control or a Joystick Control	9400 8292	



6'-9" SD	7-1/2" SD	7-1/2" HD	8" HD	8-1/2" HD	9" HD
28069	27775	27500	28000	28500	29000
27750-1		27777			
9825-1		9840-2			
28800					
DRLs: 29070, Non-DRLs: 29060					
9400					
8292					

Model	Body Style	DRW	Box Option	Engine Type	Min F G A W R	Min R G A W R	Min G V W R	Peculiar Light Kit	Personal Plow System		Ballast Guidelines, lb (1)	MM2 System		Ballast Guidelines, lb (1)								
									Peculiar Att. Kit	Notes		Peculiar Att. Kit	Notes									
F150	4x4	Super Cab	No	5.5 Box	4.6L V8	3750	3800	6900		1233	8	---	0	7174	3	---	470	---	---	---	---	---
F150	4x4	Super Cab	No	5.5 Box	5.4L V8	3750	3850	7150		1233	8	---	0	7174	3	---	---	---	---	---	---	---
F150	4x4	Super Cab	No	5.5 Box	5.4L V8	3600	3850	7150		1233	8	---	370	7174	3	---	---	---	---	---	---	---
F150	4x4	Super Cab	No	6.5 Box	4.6L V8	3900	3800	6950		1233	8	---	0	7174	3	---	380	---	---	---	---	---
F150	4x4	Super Cab	No	6.5 Box	4.6L V8	3750	3800	6950		1233	8	---	0	7174	3	---	---	---	---	---	---	---
F150	4x4	Super Cab	No	6.5 Box	4.6L V8	3600	3800	6950		1233	8	---	330	7174	3	---	---	---	---	---	---	---
F150	4x4	Super Cab	No	6.5 Box	5.4L V8	3900	3850	7200		1233	8	---	0	7174	3	---	610	---	---	---	---	---
F150	4x4	Super Cab	No	6.5 Box	5.4L V8	3750	3850	7200		1233	8	---	0	7174	3	---	---	---	---	---	---	---
F150	4x4	Super Cab	No	6.5 Box	5.4L V8	3600	3850	7200		1233	8	---	560	7174	3	---	---	---	---	---	---	---
F150	4x4	Super Cab	No	8.0 Box	5.4L V8	4300	4800	8200		1233	8	---	0	7174	3	---	120	800	---	---	---	---
F150	4x4	Super Cab	No	8.0 Box	5.4L V8	4050	4800	8200		1233	8	---	0	7174	3	---	---	---	---	---	---	---
F150	4x4	SuperCrew	No	5.5 Box	4.6L V8	3750	3800	6900		1233	8	---	0	7174	3	---	---	---	---	---	---	---
F150	4x4	SuperCrew	No	5.5 Box	4.6L V8	3600	3800	6900		1233	8	---	330	7174	3	---	---	---	---	---	---	---
F150	4x4	SuperCrew	No	5.5 Box	5.4L V8	3750	3850	7200		1233	8	---	0	7174	3	---	---	---	---	---	---	---
F150	4x4	SuperCrew	No	5.5 Box	5.4L V8	3600	3850	7200		1233	8	---	890	7174	3	---	---	---	---	---	---	---
F150	4x4	SuperCrew	No	6.5 Box	4.6L V8	3900	3800	6900		1233	8	---	0	7174	3	---	---	---	---	---	---	---
F150	4x4	SuperCrew	No	6.5 Box	4.6L V8	3750	3800	6900		1233	8	---	20	7174	3	---	---	---	---	---	---	---
F150	4x4	SuperCrew	No	6.5 Box	5.4L V8	3900	3850	7200		1233	8	---	0	7174	3	---	---	---	---	---	---	---
F150	4x4	SuperCrew	No	6.5 Box	5.4L V8	3750	3850	7200		1233	8	---	380	7174	3	---	---	---	---	---	---	---

Notes:
 1. Ballast amounts are based on a "Representative Vehicle," defined in the vehicle selection guide instructions, and must be modified for all other configurations for axle and GVWR compliance.
 3. Requires bumper notching.
 8. These Snowplows Are For Personal/Homeowner Use Only.

2008 Ford Super Duty

Section 1

Homesteader™, SD-Series & HD-Series Snowplows



Blade Length	6'-8"	7'-4"
Blade Assembly	Personal	Personal
Blade Part Number	27547	27549
Common Attachment Kit / Headgear Kit	27550	
Hydraulic Kit	27517	
Common Light	8435	
Choose Module	All: 29760-1	
Choose a Hand-Held Control or a Joystick Control	9400	
	8292	



6'-9" SD	7-1/2" SD	7-1/2" HD	8' HD	8-1/2" HD	9' HD
28069	27775	27500	28000	28500	29000
27750-1		27777			
9825-1		9840-2			
28800					
All: 29760-1					
9400					
8292					

Model	Body Style	DRW	Box Option	Engine Type	Min F G A W R	Min R G A W R	Min G V W R	Peculiar Light Kit	Personal Plow System		Ballast Guidelines, lb (1)	MM2 System		Ballast Guidelines, lb (1)						
									Peculiar Att. Kit	Notes		Peculiar Att. Kit	Notes							
F250 SUPER DUTY	4x4	Reg Cab	No	8.0 Box	5.4L V8	5600	6100	9000	n/a	---	---	---	7183	10,48	---	---	260	360	370	390
F250 SUPER DUTY	4x4	Reg Cab	No	8.0 Box	6.4L D	6000	6100	9600	n/a	---	---	---	7183	10,48	---	---	530	620	640	650
F250 SUPER DUTY	4x4	Reg Cab	No	8.0 Box	6.8L V10	5600	6100	9200	n/a	---	---	---	7183	10,48	---	---	330	430	440	450
F250 SUPER DUTY	4x4	Reg Cab	No	Chassis	n/a	n/a	n/a	8501	n/a	---	---	---	7183	10,48	---	---	?	?	?	?
F250 SUPER DUTY	4x4	Super Cab	No	6.8 Box	5.4L V8	5600	6100	9200	n/a	---	---	---	7183	10,48	---	---	230	330	340	350
F250 SUPER DUTY	4x4	Super Cab	No	6.8 Box	6.4L D	6000	6100	9800	n/a	---	---	---	7183	10,48	---	---	470	570	580	600
F250 SUPER DUTY	4x4	Super Cab	No	6.8 Box	6.8L V10	5600	6100	9400	n/a	---	---	---	7183	10,48	---	---	260	350	370	380
F250 SUPER DUTY	4x4	Super Cab	No	8.0 Box	5.4L V8	5600	6100	9400	n/a	---	---	---	7183	10,48	---	---	220	320	330	340
F250 SUPER DUTY	4x4	Super Cab	No	8.0 Box	6.4L D	6000	6100	9900	n/a	---	---	---	7183	10,48	---	---	500	590	610	620
F250 SUPER DUTY	4x4	Super Cab	No	8.0 Box	6.8L V10	6000	6100	9600	n/a	---	---	---	7183	10,48	---	---	290	380	390	400
F250 SUPER DUTY	4x4	Super Cab	No	Chassis	n/a	n/a	n/a	8501	n/a	---	---	---	7183	10,48	---	---	?	?	?	?
F250 SUPER DUTY	4x4	Crew Cab	No	6.8 Box	5.4L V8	5600	6100	9000	n/a	---	---	---	7183	10,48	---	---	180	280	290	300
F250 SUPER DUTY	4x4	Crew Cab	No	6.8 Box	6.4L D	6000	6100	9600	n/a	---	---	---	7183	10,48	---	---	470	560	580	590
F250 SUPER DUTY	4x4	Crew Cab	No	6.8 Box	6.8L V10	5600	6100	9200	n/a	---	---	---	7183	10,48	---	---	240	340	350	360
F250 SUPER DUTY	4x4	Crew Cab	No	8.0 Box	5.4L V8	5600	6100	9400	n/a	---	---	---	7183	10,48	---	---	220	310	330	340
F250 SUPER DUTY	4x4	Crew Cab	No	8.0 Box	6.4L D	6000	6100	9900	n/a	---	---	---	7183	10,48	---	---	500	590	610	620
F250 SUPER DUTY	4x4	Crew Cab	No	8.0 Box	6.8L V10	6000	6100	9600	n/a	---	---	---	7183	10,48	---	---	280	370	380	400
F250 SUPER DUTY	4x4	Crew Cab	No	Chassis	n/a	n/a	n/a	8501	n/a	---	---	---	7183	10,48	---	---	?	?	?	?
F350 SUPER DUTY	4x4	Reg Cab	No	8.0 Box	5.4L V8	5600	6390	9000	n/a	---	---	---	7183	10,48	---	---	---	320	330	350
F350 SUPER DUTY	4x4	Reg Cab	No	8.0 Box	6.4L D	6000	6390	9600	n/a	---	---	---	7183	10,48	---	---	---	590	600	610
F350 SUPER DUTY	4x4	Reg Cab	No	8.0 Box	6.8L V10	5600	6390	9200	n/a	---	---	---	7183	10,48	---	---	---	390	400	410
F350 SUPER DUTY	4x4	Reg Cab	No	Chassis	n/a	n/a	n/a	8501	n/a	---	---	---	7183	10,48	---	---	---	?	?	?
F350 SUPER DUTY	4x4	Reg Cab	Yes	8.0 Box	5.4L V8	5600	9000	12000	n/a	---	---	---	7183	10,48	---	---	---	---	120	140
F350 SUPER DUTY	4x4	Reg Cab	Yes	8.0 Box	6.4L D	6000	9000	12600	n/a	---	---	---	7183	10,48	---	---	---	---	390	400
F350 SUPER DUTY	4x4	Reg Cab	Yes	8.0 Box	6.8L V10	5600	9000	12200	n/a	---	---	---	7183	10,48	---	---	---	---	190	200
F350 SUPER DUTY	4x4	Reg Cab	Yes	Chassis	n/a	n/a	n/a	8501	n/a	---	---	---	7183	10,48	---	---	---	---	?	?
F350 SUPER DUTY	4x4	Super Cab	No	6.8 Box	5.4L V8	5600	6390	9900	n/a	---	---	---	7183	10,48	---	---	---	250	260	270
F350 SUPER DUTY	4x4	Super Cab	No	6.8 Box	6.4L D	6000	6390	9900	n/a	---	---	---	7183	10,48	---	---	---	530	540	560
F350 SUPER DUTY	4x4	Super Cab	No	6.8 Box	6.8L V10	5600	6390	9900	n/a	---	---	---	7183	10,48	---	---	---	310	330	340

Notes:
 1. Ballast amounts are based on a "Representative Vehicle," defined in the vehicle selection guide instructions, and must be modified for all other configurations for axle and GVWR compliance.

10. May require bumper or air dam notching.
 48. Snowplow prep package required until further notice.

2008 Ford Super Duty

Section 1

Homesteader™, SD-Series & HD-Series Snowplows



Blade Length	6'-8"	7'-4"
Blade Assembly	Personal	Personal
Blade Part Number	27547	27549
Common Attachment Kit / Headgear Kit	27550	
Hydraulic Kit	27517	
Common Light	8435	
Choose Module	All: 29760-1	
Choose a Hand-Held Control or a Joystick Control	9400	8292



6'-9" SD	7'-1/2" SD	7'-1/2" HD	8' HD	8'-1/2" HD	9' HD
28069	27775	27500	28000	28500	29000
27750-1		27777			
9825-1		9840-2			
28800					
All: 29760-1					
9400					
8292					

Model	Body Style	DRW	Box Option	Engine Type	Min F G A W R	Min R G A W R	Min G V W R	Peculiar Light Kit	Personal Plow System		Ballast Guidelines, lb (1)	MM2 System		Ballast Guidelines, lb (1)							
									Peculiar Att. Kit	Notes		Peculiar Att. Kit	Notes								
F350 SUPER DUTY	4x4	Super Cab	No	8.0 Box	5.4L V8	5600	6390	9900	n/a	---	---	---	7183	10,48	---	---	---	---	280	290	300
F350 SUPER DUTY	4x4	Super Cab	No	8.0 Box	6.4L D	6000	6390	9900	n/a	---	---	---	7183	10,48	---	---	---	---	550	570	580
F350 SUPER DUTY	4x4	Super Cab	No	8.0 Box	6.8L V10	6000	6390	9900	n/a	---	---	---	7183	10,48	---	---	---	---	340	350	360
F350 SUPER DUTY	4x4	Super Cab	No	Chassis	n/a	n/a	n/a	8501	n/a	---	---	---	7183	10,48	---	---	---	?	?	?	
F350 SUPER DUTY	4x4	Super Cab	Yes	8.0 Box	5.4L V8	5600	9000	12400	n/a	---	---	---	7183	10,48	---	---	---	---	70	80	
F350 SUPER DUTY	4x4	Super Cab	Yes	8.0 Box	6.4L D	6000	9000	13000	n/a	---	---	---	7183	10,48	---	---	---	---	350	360	
F350 SUPER DUTY	4x4	Super Cab	Yes	8.0 Box	6.8L V10	6000	9000	12600	n/a	---	---	---	7183	10,48	---	---	---	---	130	140	
F350 SUPER DUTY	4x4	Super Cab	Yes	Chassis	n/a	n/a	n/a	8501	n/a	---	---	---	7183	10,48	---	---	---	---	?	?	
F350 SUPER DUTY	4x4	Crew Cab	No	6.8 Box	5.4L V8	5600	6390	9900	n/a	---	---	---	7183	10,48	---	---	---	---	230	250	260
F350 SUPER DUTY	4x4	Crew Cab	No	6.8 Box	6.4L D	6000	6390	9900	n/a	---	---	---	7183	10,48	---	---	---	---	520	540	550
F350 SUPER DUTY	4x4	Crew Cab	No	6.8 Box	6.8L V10	6000	6390	9900	n/a	---	---	---	7183	10,48	---	---	---	---	300	310	320
F350 SUPER DUTY	4x4	Crew Cab	No	8.0 Box	5.4L V8	6000	6390	9900	n/a	---	---	---	7183	10,48	---	---	---	---	270	280	300
F350 SUPER DUTY	4x4	Crew Cab	No	8.0 Box	6.4L D	6000	6390	9900	n/a	---	---	---	7183	10,48	---	---	---	---	550	560	580
F350 SUPER DUTY	4x4	Crew Cab	No	8.0 Box	6.8L V10	6000	6390	9900	n/a	---	---	---	7183	10,48	---	---	---	---	330	340	360
F350 SUPER DUTY	4x4	Crew Cab	No	Chassis	n/a	n/a	n/a	8501	n/a	---	---	---	7183	10,48	---	---	---	?	?	?	
F350 SUPER DUTY	4x4	Crew Cab	Yes	6.8 Box	6.4L D	6000	9000	13000	n/a	---	---	---	7183	10,48	---	---	---	---	320	330	
F350 SUPER DUTY	4x4	Crew Cab	Yes	6.8 Box	6.8L V10	6000	9000	12600	n/a	---	---	---	7183	10,48	---	---	---	---	90	100	
F350 SUPER DUTY	4x4	Crew Cab	Yes	8.0 Box	6.4L D	6000	9000	13000	n/a	---	---	---	7183	10,48	---	---	---	---	340	350	
F350 SUPER DUTY	4x4	Crew Cab	Yes	8.0 Box	6.8L V10	6000	9000	12600	n/a	---	---	---	7183	10,48	---	---	---	---	120	130	
F350 SUPER DUTY	4x4	Crew Cab	Yes	Chassis	n/a	n/a	n/a	8501	n/a	---	---	---	7183	10,48	---	---	---	---	?	?	
F450 SUPER DUTY	4x4	Reg Cab	Yes	Chassis	n/a	n/a	n/a	10000	n/a	---	---	---	7183	10,48	---	---	---	---	?	?	
F450 SUPER DUTY	4x4	Super Cab	Yes	Chassis	n/a	n/a	n/a	10000	n/a	---	---	---	7183	10,48	---	---	---	---	?	?	
F450 SUPER DUTY	4x4	Crew Cab	Yes	8.0 Box	6.4L D	6500	10400	14500	n/a	---	---	---	7183	10,48	---	---	---	---	190	200	
F450 SUPER DUTY	4x4	Crew Cab	Yes	Chassis	n/a	n/a	n/a	10000	n/a	---	---	---	7183	10,48	---	---	---	---	?	?	
F450 SUPER DUTY	4x2	Reg Cab	Yes	Chassis	n/a	n/a	n/a	10000	n/a	---	---	---	7183	10,48	---	---	---	---	?	?	
F450 SUPER DUTY	4x2	Super Cab	Yes	Chassis	n/a	n/a	n/a	10000	n/a	---	---	---	7183	10,48	---	---	---	---	?	?	
F450 SUPER DUTY	4x2	Crew Cab	Yes	8.0 Box	6.4L D	6500	10400	14500	n/a	---	---	---	7183	10,48	---	---	---	---	100	110	
F450 SUPER DUTY	4x2	Crew Cab	Yes	Chassis	n/a	n/a	n/a	10000	n/a	---	---	---	7183	10,48	---	---	---	---	?	?	

Notes:
 1. Ballast amounts are based on a "Representative Vehicle," defined in the vehicle selection guide instructions, and must be modified for all other configurations for axle and GVWR compliance.

10. May require bumper or air dam notching.
 48. Snowplow prep package required until further notice.

2008 Ford

Section 2 XBLADE™, MC-Series, XtremeV™ & XLS™ Snowplows



Blade Length	7-1/2'	8'	8'	8-1/2'	9'	9'	9'	10'	7-1/2'	7-1/2'	8-1/2'	8-1/2'	9-1/2'	9-1/2'	8'-10'
Blade Assembly	X SS	X SS	X Poly	X SS	X SS	X Poly	MC	MC	XV SS	XV MS	XV SS	XV MS	XV SS	XV MS	XLS
Blade Part Number	27510-1	28100-1	29618-1	28510-1	29100-1	29619-1	29250	29350	44775-1	44675-1	44785-1	44685-1	44795-1	44695-1	50810
Common Attachment Kit / Headgear Kit	28900		27777	28900		27777	29999		44650-1	44600-1	44650-1	44600-1	44650-1	44600-1	50600
A-Frame Kit	n/a						28665		n/a						
Hydraulic Kit	9840-2						9835-1		n/a						
Common Light	28800														
Choose Module	DRLs: 29070, Non-DRLs: 29060														
Choose a Hand-Held Control or a Joystick Control	9400										29800				
	8292										49900				

Model	Body Style	DRW	Box Option	Engine Type	Min F G A W R	Min R G A W R	Min G V W R	Peculiar Light Kit	MM2 System		Ballast Guidelines, lb (1)																
									Peculiar Att. Kit	Notes																	
F150	4x4	Reg Cab	No	8.0 Box	5.4L V8	4300	4800	8200	H13 use 29049	7174	3	620	---	---	---	---	---	---	---	---	---	---	---	---	---	---	---
F650	4x2	n/a	Yes	Chassis	n/a	n/a	n/a	10001	2B use 29053 & 29234 or HB5 use 29053 & 29235	7187	39	---	---	---	---	---	---	?	?	---	---	---	---	---	---	---	---
F650 (Low Pro)	4x2	n/a	Yes	Chassis	n/a	n/a	n/a	10001		7156-1	27	---	---	---	---	---	---	?	?	---	---	---	---	---	---	---	---

Notes:

- Ballast amounts are based on a "Representative Vehicle," defined in the vehicle selection guide instructions, and must be modified for all other configurations for axle and GVWR compliance.
- Requires bumper notching.
- Universal Kit. Custom installation required. 27,500 maximum GVWR. Minimum 22.5" from road to vehicle frame.
- 27,500 maximum GVWR.

2008 Ford Super Duty

Section 2 XBLADE™, MC-Series, XtremeV™ & XLS™ Snowplows



Blade Length	7-1/2'	8'	8'	8-1/2'	9'	9'	9'	10'	7-1/2'	7-1/2'	8-1/2'	8-1/2'	9-1/2'	9-1/2'	8'-10'
Blade Assembly	X SS	X SS	X Poly	X SS	X SS	X Poly	MC	MC	XV SS	XV MS	XV SS	XV MS	XV SS	XV MS	XLS
Blade Part Number	27510-1	28100-1	29618-1	28510-1	29100-1	29619-1	29250	29350	44775-1	44675-1	44785-1	44685-1	44795-1	44695-1	50810
Common Attachment Kit / Headgear Kit	28900		27777	28900		27777	29999		44650-1	44600-1	44650-1	44600-1	44650-1	44600-1	50600
A-Frame Kit	n/a						28665		n/a						
Hydraulic Kit	9840-2						9835-1		n/a						
Common Light	28800						n/a								
Choose Module	All: 29760-1														
Choose a Hand-Held Control or a Joystick Control	9400						29800						49900		
	8292														

Model	Body Style	DRW	Box Option	Engine Type	Min F G A W R	Min R G A W R	Min G V W R	Peculiar Light Kit	MM2 System		Ballast Guidelines, lb (1)														
									Peculiar Att. Kit	Notes															
F250 SUPER DUTY	4x4	Reg Cab	No	8.0 Box	5.4L V8	5600	6100	9000	7183	10,48	370	420	350	440	470	390	---	---	420	420	460	460	550	550	580
F250 SUPER DUTY	4x4	Reg Cab	No	8.0 Box	6.4L D	6000	6100	9600	7183	10,48	640	710	610	730	750	650	---	---	710	710	750	750	840	840	880
F250 SUPER DUTY	4x4	Reg Cab	No	8.0 Box	6.8L V10	5600	6100	9200	7183	10,48	440	490	420	510	530	450	---	---	490	490	530	530	620	620	650
F250 SUPER DUTY	4x4	Reg Cab	No	Chassis	n/a	n/a	n/a	8501	7183	10,48	?	?	?	?	?	?	---	---	?	?	?	?	?	?	?
F250 SUPER DUTY	4x4	Super Cab	No	6.8 Box	5.4L V8	5600	6100	9200	7183	10,48	340	390	320	410	430	350	---	---	390	390	430	430	520	520	550
F250 SUPER DUTY	4x4	Super Cab	No	6.8 Box	6.4L D	6000	6100	9800	7183	10,48	580	630	560	650	700	600	---	---	630	630	690	690	790	790	820
F250 SUPER DUTY	4x4	Super Cab	No	6.8 Box	6.8L V10	5600	6100	9400	7183	10,48	360	410	340	440	460	380	---	---	420	420	450	450	550	550	580
F250 SUPER DUTY	4x4	Super Cab	No	8.0 Box	5.4L V8	5600	6100	9400	7183	10,48	330	380	310	400	420	340	---	---	380	380	420	420	510	510	530
F250 SUPER DUTY	4x4	Super Cab	No	8.0 Box	6.4L D	6000	6100	9900	7183	10,48	600	650	580	690	720	620	---	---	680	680	720	720	940	940	970
F250 SUPER DUTY	4x4	Super Cab	No	8.0 Box	6.8L V10	6000	6100	9600	7183	10,48	390	440	370	460	480	410	---	---	440	440	480	480	570	570	600
F250 SUPER DUTY	4x4	Super Cab	No	Chassis	n/a	n/a	n/a	8501	7183	10,48	?	?	?	?	?	?	---	---	?	?	?	?	?	?	?
F250 SUPER DUTY	4x4	Crew Cab	No	6.8 Box	5.4L V8	5600	6100	9000	7183	10,48	290	330	270	360	380	300	---	---	340	340	380	380	470	470	490
F250 SUPER DUTY	4x4	Crew Cab	No	6.8 Box	6.4L D	6000	6100	9600	7183	10,48	580	620	560	650	690	590	---	---	630	630	690	690	---	---	---
F250 SUPER DUTY	4x4	Crew Cab	No	6.8 Box	6.8L V10	5600	6100	9200	7183	10,48	350	400	330	420	440	360	---	---	400	400	440	440	530	530	550
F250 SUPER DUTY	4x4	Crew Cab	No	8.0 Box	5.4L V8	5600	6100	9400	7183	10,48	320	370	300	390	410	340	---	---	380	380	420	420	500	500	530
F250 SUPER DUTY	4x4	Crew Cab	No	8.0 Box	6.4L D	6000	6100	9900	7183	10,48	600	650	580	690	710	620	---	---	670	670	710	710	---	---	---
F250 SUPER DUTY	4x4	Crew Cab	No	8.0 Box	6.8L V10	6000	6100	9600	7183	10,48	380	430	360	450	470	400	---	---	440	440	470	470	560	560	590
F250 SUPER DUTY	4x4	Crew Cab	No	Chassis	n/a	n/a	n/a	8501	7183	10,48	?	?	?	?	?	?	---	---	?	?	?	?	?	?	?
F350 SUPER DUTY	4x4	Reg Cab	No	8.0 Box	5.4L V8	5600	6390	9000	7183	10,48	330	380	310	410	430	350	---	---	380	380	420	420	510	510	550
F350 SUPER DUTY	4x4	Reg Cab	No	8.0 Box	6.4L D	6000	6390	9600	7183	10,48	600	650	580	690	710	610	---	---	650	650	710	710	800	800	840
F350 SUPER DUTY	4x4	Reg Cab	No	8.0 Box	6.8L V10	5600	6390	9200	7183	10,48	400	450	380	470	490	410	---	---	450	450	490	490	580	580	610
F350 SUPER DUTY	4x4	Reg Cab	No	Chassis	n/a	n/a	n/a	8501	7183	10,48	?	?	?	?	?	?	---	---	?	?	?	?	?	?	?
F350 SUPER DUTY	4x4	Reg Cab	Yes	8.0 Box	5.4L V8	5600	9000	12000	7183	10,48	---	---	---	190	220	140	---	---	---	---	210	210	300	300	340
F350 SUPER DUTY	4x4	Reg Cab	Yes	8.0 Box	6.4L D	6000	9000	12600	7183	10,48	---	---	---	460	480	400	---	---	---	---	480	480	570	570	600
F350 SUPER DUTY	4x4	Reg Cab	Yes	8.0 Box	6.8L V10	5600	9000	12200	7183	10,48	---	---	---	260	280	200	---	---	---	---	280	280	370	370	400
F350 SUPER DUTY	4x4	Reg Cab	Yes	Chassis	n/a	n/a	n/a	8501	7183	10,48	---	---	---	?	?	?	---	---	---	---	?	?	?	?	?
F350 SUPER DUTY	4x4	Super Cab	No	6.8 Box	5.4L V8	5600	6390	9900	7183	10,48	260	310	240	330	350	270	---	---	310	310	350	350	440	440	470
F350 SUPER DUTY	4x4	Super Cab	No	6.8 Box	6.4L D	6000	6390	9900	7183	10,48	540	590	520	620	640	560	---	---	590	590	630	630	750	750	780
F350 SUPER DUTY	4x4	Super Cab	No	6.8 Box	6.8L V10	5600	6390	9900	7183	10,48	330	370	300	400	420	340	---	---	380	380	420	420	510	510	540
F350 SUPER DUTY	4x4	Super Cab	No	8.0 Box	5.4L V8	5600	6390	9900	7183	10,48	290	340	270	360	380	300	---	---	340	340	380	380	470	470	490
F350 SUPER DUTY	4x4	Super Cab	No	8.0 Box	6.4L D	6000	6390	9900	7183	10,48	560	610	540	630	680	580	---	---	620	620	650	650	---	---	---
F350 SUPER DUTY	4x4	Super Cab	No	8.0 Box	6.8L V10	6000	6390	9900	7183	10,48	350	400	330	420	440	370	---	---	400	400	440	440	530	530	560
F350 SUPER DUTY	4x4	Super Cab	No	Chassis	n/a	n/a	n/a	8501	7183	10,48	?	?	?	?	?	?	---	---	?	?	?	?	?	?	?

Notes:
1. Ballast amounts are based on a "Representative Vehicle," defined in the vehicle selection guide instructions, and must be modified for all other configurations for axle and GVWR compliance.

10. May require bumper or air dam notching.
48. Snowplow prep package required until further notice..

2008 Ford Super Duty

Section 2 XBLADE™, MC-Series, XtremeV™ & XLS™ Snowplows



Blade Length	7-1/2'	8'	8'	8-1/2'	9'	9'	9'	10'	7-1/2'	8-1/2'	8-1/2'	9-1/2'	9-1/2'	8'-10'
Blade Assembly	X SS	X SS	X Poly	X SS	X SS	X Poly	MC	MC	XV SS	XV MS	XV SS	XV MS	XV SS	XV MS
Blade Part Number	27510-1	28100-1	29618-1	28510-1	29100-1	29619-1	29250	29350	44775-1	44675-1	44785-1	44685-1	44795-1	44695-1
Common Attachment Kit / Headgear Kit	28900		27777	28900		27777	29999		44650-1	44600-1	44650-1	44600-1	44650-1	44600-1
A-Frame Kit	n/a						28665		n/a					
Hydraulic Kit	9840-2						9835-1		n/a					
Common Light	28800													
Choose Module	All: 29760-1													
Choose a Hand-Held Control or a Joystick Control	9400										29800			

Model	Body Style	DRW	Box Option	Engine Type	Min F G A W R	Min R G A W R	Min G V W R	Peculiar Light Kit	MM2 System		Ballast Guidelines, lb (1)														
									Peculiar Att. Kit	Notes															
F350 SUPER DUTY	4x4	Super Cab	Yes	8.0 Box	5.4L V8	5600	9000	12400	7183	10,48	---	---	---	140	160	80	---	---	---	---	160	160	250	250	270
F350 SUPER DUTY	4x4	Super Cab	Yes	8.0 Box	6.4L D	6000	9000	13000	7183	10,48	---	---	---	410	440	360	---	---	---	---	470	470	---	---	---
F350 SUPER DUTY	4x4	Super Cab	Yes	8.0 Box	6.8L V10	6000	9000	12600	7183	10,48	---	---	---	200	220	150	---	---	---	---	220	220	310	310	340
F350 SUPER DUTY	4x4	Super Cab	Yes	Chassis	n/a	n/a	n/a	8501	7183	10,48	---	---	---	?	?	?	---	---	---	---	?	?	?	?	?
F350 SUPER DUTY	4x4	Crew Cab	No	6.8 Box	5.4L V8	5600	6390	9900	7183	10,48	250	290	230	320	340	260	---	---	300	300	340	340	430	430	450
F350 SUPER DUTY	4x4	Crew Cab	No	6.8 Box	6.4L D	6000	6390	9900	7183	10,48	540	580	520	610	630	550	---	---	590	590	630	630	---	---	---
F350 SUPER DUTY	4x4	Crew Cab	No	6.8 Box	6.8L V10	6000	6390	9900	7183	10,48	310	350	290	380	400	320	---	---	360	360	400	400	490	490	510
F350 SUPER DUTY	4x4	Crew Cab	No	8.0 Box	5.4L V8	6000	6390	9900	7183	10,48	280	330	260	350	370	300	---	---	340	340	370	370	460	460	490
F350 SUPER DUTY	4x4	Crew Cab	No	8.0 Box	6.4L D	6000	6390	9900	7183	10,48	560	610	540	630	650	580	---	---	620	620	840	840	---	---	---
F350 SUPER DUTY	4x4	Crew Cab	No	8.0 Box	6.8L V10	6000	6390	9900	7183	10,48	340	390	320	410	430	360	---	---	390	390	430	430	520	520	550
F350 SUPER DUTY	4x4	Crew Cab	No	Chassis	n/a	n/a	n/a	8501	7183	10,48	?	?	?	?	?	?	---	---	?	?	?	?	?	?	?
F350 SUPER DUTY	4x4	Crew Cab	Yes	6.8 Box	6.4L D	6000	9000	13000	7183	10,48	---	---	---	390	410	330	---	---	---	---	450	450	---	---	---
F350 SUPER DUTY	4x4	Crew Cab	Yes	6.8 Box	6.8L V10	6000	9000	12600	7183	10,48	---	---	---	160	180	100	---	---	---	---	180	180	270	270	290
F350 SUPER DUTY	4x4	Crew Cab	Yes	8.0 Box	6.4L D	6000	9000	13000	7183	10,48	---	---	---	550	750	350	---	---	---	---	940	940	---	---	---
F350 SUPER DUTY	4x4	Crew Cab	Yes	8.0 Box	6.8L V10	6000	9000	12600	7183	10,48	---	---	---	190	210	130	---	---	---	---	210	210	300	300	320
F350 SUPER DUTY	4x4	Crew Cab	Yes	Chassis	n/a	n/a	n/a	8501	7183	10,48	---	---	---	?	?	?	---	---	---	---	?	?	?	?	?
F450 SUPER DUTY	4x4	Reg Cab	Yes	Chassis	n/a	n/a	n/a	10000	7183	10,48	---	---	---	?	?	?	?	---	---	---	?	?	?	?	?
F450 SUPER DUTY	4x4	Super Cab	Yes	Chassis	n/a	n/a	n/a	10000	7183	10,48	---	n/a	---	?	?	?	?	---	---	---	?	?	?	?	?
F450 SUPER DUTY	4x4	Crew Cab	Yes	8.0 Box	6.4L D	6500	10400	14500	7183	10,48	---	---	---	260	280	200	---	---	---	---	280	280	770	770	790
F450 SUPER DUTY	4x4	Crew Cab	Yes	Chassis	n/a	n/a	n/a	10000	7183	10,48	---	---	---	?	?	?	?	---	---	---	?	?	?	?	?
F450 SUPER DUTY	4x2	Reg Cab	Yes	Chassis	n/a	n/a	n/a	10000	7183	10,48	---	---	---	?	?	?	?	---	---	---	?	?	?	?	?
F450 SUPER DUTY	4x2	Super Cab	Yes	Chassis	n/a	n/a	n/a	10000	7183	10,48	---	---	---	?	?	?	?	---	---	---	?	?	?	?	?
F450 SUPER DUTY	4x2	Crew Cab	Yes	8.0 Box	6.4L D	6500	10400	14500	7183	10,48	---	---	---	160	180	110	---	---	---	---	190	190	270	270	300
F450 SUPER DUTY	4x2	Crew Cab	Yes	Chassis	n/a	n/a	n/a	10000	7183	10,48	---	---	---	?	?	?	?	---	---	---	?	?	?	?	?
F550 SUPER DUTY	4x4	Reg Cab	Yes	Chassis	n/a	n/a	n/a	10000	7183	10,48	---	---	---	?	?	?	?	---	---	---	?	?	?	?	?
F550 SUPER DUTY	4x4	Super Cab	Yes	Chassis	n/a	n/a	n/a	10000	7183	10,48	---	---	---	?	?	?	?	---	---	---	?	?	?	?	?
F550 SUPER DUTY	4x4	Crew Cab	Yes	Chassis	n/a	n/a	n/a	10000	7183	10,48	---	---	---	?	?	?	?	---	---	---	?	?	?	?	?
F550 SUPER DUTY	4x2	Reg Cab	Yes	Chassis	n/a	n/a	n/a	10000	7183	10,48	---	---	---	?	?	?	?	---	---	---	?	?	?	?	?
F550 SUPER DUTY	4x2	Super Cab	Yes	Chassis	n/a	n/a	n/a	10000	7183	10,48	---	---	---	?	?	?	?	---	---	---	?	?	?	?	?
F550 SUPER DUTY	4x2	Crew Cab	Yes	Chassis	n/a	n/a	n/a	10000	7183	10,48	---	---	---	?	?	?	?	---	---	---	?	?	?	?	?

Notes:
1. Ballast amounts are based on a "Representative Vehicle," defined in the vehicle selection guide instructions, and must be modified for all other configurations for axle and GVWR compliance.

10. May require bumper or air dam notching.
48. Snowplow prep package required until further notice..

2008 Dodge

Section 1

Homesteader™, SD-Series & HD-Series Snowplows



Blade Length	6'-8"	7'-4"
Blade Assembly	Personal	Personal
Blade Part Number	27547	27549
Common Attachment Kit / Headgear Kit	27550	
Hydraulic Kit	27517	
Common Light	8435	
Choose Module	DRLs: 29070, Non-DRLs: 29060	
Choose a Hand-Held Control or a Joystick Control	9400 8292	



6'-9" SD	7'-1/2" SD	7'-1/2" HD	8' HD	8-1/2' HD	9' HD
28069	27775	27500	28000	28500	29000
27750-1		27777			
9825-1		9840-2			
28800					
DRLs: 29070, Non-DRLs: 29060					
9400					
8292					

Model	Body Style	DRW	Box Option	Engine Type	Min F G A W R	Min R G A W R	Min G V W R	Peculiar Light Kit	Personal Plow System		Ballast Guidelines, lb (1)	MM2 System		Ballast Guidelines, lb (1)										
									Peculiar Att. Kit	Notes		Peculiar Att. Kit	Notes											
DURANGO ST	4x4	SU-4DR	No	---	4.7L FFV	3600	3900	6700	33903	8	---	0	n/a	---	---	---	---	---	---	---	---	---	---	---
DURANGO ST	4x4	SU-4DR	No	---	4.7L V8	3600	3900	6700	33903	8	---	0	n/a	---	---	---	---	---	---	---	---	---	---	---
DURANGO SLT	4x4	SU-4DR	No	---	4.7L FFV	3600	3900	6700	33903	8	---	0	n/a	---	---	---	---	---	---	---	---	---	---	---
DURANGO SLT	4x4	SU-4DR	No	---	4.7L V8	3600	3900	6700	33903	8	---	0	n/a	---	---	---	---	---	---	---	---	---	---	---
DURANGO SLT	4x4	SU-4DR	No	---	5.8L V8	3600	3900	6750	33903	8	---	0	n/a	---	---	---	---	---	---	---	---	---	---	---
DURANGO LIMITED	4x4	SU-4DR	No	---	4.7L FFV	3600	3900	6700	33903	8	---	0	n/a	---	---	---	---	---	---	---	---	---	---	---
DURANGO LIMITED	4x4	SU-4DR	No	---	4.7L V8	3600	3900	6700	33903	8	---	0	n/a	---	---	---	---	---	---	---	---	---	---	---
DURANGO LIMITED	4x4	SU-4DR	No	---	5.7L V8	3600	3900	6750	33903	8	---	0	n/a	---	---	---	---	---	---	---	---	---	---	---
DAKOTA ST	4x4	Club Cab	No	6.5 Box	3.7L V6	3600	3600	6010	33903	8	---	30	7178	3	---	220	---	---	---	---	---	---	---	---
DAKOTA ST	4x4	Club Cab	No	6.5 Box	4.7L V8	3600	3600	6010	33903	8	---	0	7178	3	---	170	---	---	---	---	---	---	---	---
DAKOTA ST	4x4	Club Cab	No	6.5 Box	4.7L V8 FFV	3600	3600	6010	33903	8	---	0	7178	3	---	170	---	---	---	---	---	---	---	---
DAKOTA ST	4x4	Quad Cab	No	5.5 Box	3.7L V6	3600	3600	6010	33903	8	---	0	7178	3	---	150	---	---	---	---	---	---	---	---
DAKOTA ST	4x4	Quad Cab	No	5.5 Box	4.7L V8	3600	3600	6010	33903	8	---	0	7178	3	---	120	---	---	---	---	---	---	---	---
DAKOTA SLT	4x4	Club Cab	No	6.5 Box	3.7L V6	3600	3600	6010	33903	8	---	30	7178	3	---	220	---	---	---	---	---	---	---	---
DAKOTA SLT	4x4	Club Cab	No	6.5 Box	4.7L V8	3600	3600	6010	33903	8	---	0	7178	3	---	190	---	---	---	---	---	---	---	---
DAKOTA SLT	4x4	Club Cab	No	6.5 Box	4.7L V8 FFV	3600	3600	6010	33903	8	---	0	7178	3	---	190	---	---	---	---	---	---	---	---
DAKOTA SLT	4x4	Club Cab	No	6.5 Box	4.7L V8 HO	3600	3600	6010	33903	8	---	0	7178	3	---	190	---	---	---	---	---	---	---	---
DAKOTA SLT	4x4	Quad Cab	No	5.5 Box	3.7L V6	3600	3600	6010	33903	8	---	0	7178	3	---	160	---	---	---	---	---	---	---	---
DAKOTA SLT	4x4	Quad Cab	No	5.5 Box	4.7L V8	3600	3600	6010	33903	8	---	0	7178	3	---	130	---	---	---	---	---	---	---	---
DAKOTA SLT	4x4	Quad Cab	No	5.5 Box	4.7L V8 FFV	3600	3600	6010	33903	8	---	0	7178	3	---	130	---	---	---	---	---	---	---	---
DAKOTA SLT	4x4	Quad Cab	No	5.5 Box	4.7L V8 HO	3600	3600	6010	33903	8	---	0	7178	3	---	130	---	---	---	---	---	---	---	---
DAKOTA LARAMIE	4x4	Club Cab	No	6.5 Box	3.7L V6	3600	3600	6010	33903	8	---	70	7178	3	---	260	---	---	---	---	---	---	---	---
DAKOTA LARAMIE	4x4	Club Cab	No	6.5 Box	4.7L V8	3600	3600	6010	33903	8	---	30	7178	3	---	270	---	---	---	---	---	---	---	---
DAKOTA LARAMIE	4x4	Quad Cab	No	5.5 Box	3.7L V6	3600	3600	6010	33903	8	---	0	7178	3	---	160	---	---	---	---	---	---	---	---
DAKOTA LARAMIE	4x4	Quad Cab	No	5.5 Box	4.7L V8	3600	3600	6010	33903	8	---	0	7178	3	---	210	---	---	---	---	---	---	---	---
RAM 1500 ST	4x4	Reg Cab	No	6.5 Box	4.7L V8	3900	3900	6350	33913	3,8	---	20	7180	3	---	190	330	---	---	---	---	---	---	---
RAM 1500 ST	4x4	Reg Cab	No	6.5 Box	5.7L V8	3900	3900	6350	33913	3,8	---	10	7180	3	---	180	420	---	---	---	---	---	---	---
RAM 1500 ST	4x4	Reg Cab	No	8.0 Box	4.7L V8	3900	3900	6600	33913	3,8	---	10	7180	3	---	180	---	---	---	---	---	---	---	---
RAM 1500 ST	4x4	Reg Cab	No	8.0 Box	5.7L V8	3900	3900	6600	33913	3,8	---	30	7180	3	---	260	---	---	---	---	---	---	---	---
RAM 1500 ST	4x4	Quad Cab	No	6.5 Box	4.7L V8	3900	3900	6700	33913	3,8	---	0	7180	3	---	230	---	---	---	---	---	---	---	---
RAM 1500 ST	4x4	Quad Cab	No	6.5 Box	5.7L V8	3900	3900	6700	33913	3,8	---	0	7180	3	---	330	---	---	---	---	---	---	---	---
RAM 1500 ST	4x4	Quad Cab	No	8.0 Box	4.7L V8	3900	3900	6800	33913	3,8	---	0	7180	3	---	---	---	---	---	---	---	---	---	---
RAM 1500 ST	4x4	Quad Cab	No	8.0 Box	5.7L V8	3900	3900	6800	33913	3,8	---	0	7180	3	---	---	---	---	---	---	---	---	---	---

H13 use
29049

- Notes:
- Ballast amounts are based on a "Representative Vehicle," defined in the vehicle selection guide instructions, and must be modified for all other configurations for axle and GVWR compliance.
 - Requires bumper notching.
 - These Snowplows Are For Personal/Homeowner Use Only.

2008 Dodge

Section 1 Homesteader™, SD-Series & HD-Series Snowplows



Blade Length	6'-8"	7'-4"
Blade Assembly	Personal	Personal
Blade Part Number	27547	27549
Common Attachment Kit / Headgear Kit	27550	
Hydraulic Kit	27517	
Common Light	8435	
Choose Module	DRLs: 29070, Non-DRLs: 29060	
Choose a Hand-Held Control or a Joystick Control	9400 8292	



6'-9" SD	7'-1/2" SD	7'-1/2" HD	8' HD	8-1/2" HD	9' HD
28069	27775	27500	28000	28500	29000
27750-1		27777			
9825-1		9840-2			
28800					
DRLs: 29070, Non-DRLs: 29060					
9400					
8292					

Model	Body Style	DRW	Box Option	Engine Type	Min F G A W R	Min R G A W R	Min G V W R	Peculiar Light Kit	Personal Plow System		Ballast Guidelines, lb (1)	MM2 System		Ballast Guidelines, lb (1)						
									Peculiar Att. Kit	Notes		Peculiar Att. Kit	Notes							
RAM 1500 SLT	4x4	Reg Cab	No	6.5 Box	4.7L V8	3900	3900	6350	33913	3,8	---	30	7180	3	---	210	340	---	---	---
RAM 1500 SLT	4x4	Reg Cab	No	6.5 Box	5.7L V8	3900	3900	6350	33913	3,8	---	20	7180	3	---	200	420	---	---	---
RAM 1500 SLT	4x4	Reg Cab	No	8.0 Box	4.7L V8	3900	3900	6600	33913	3,8	---	40	7180	3	---	210	---	---	---	---
RAM 1500 SLT	4x4	Reg Cab	No	8.0 Box	5.7L V8	3900	3900	6600	33913	3,8	---	40	7180	3	---	300	---	---	---	---
RAM 1500 SLT	4x4	Quad Cab	No	6.5 Box	4.7L V8	3900	3900	6700	33913	3,8	---	0	7180	3	---	300	---	---	---	---
RAM 1500 SLT	4x4	Quad Cab	No	6.5 Box	5.7L V8	3900	3900	6700	33913	3,8	---	0	7180	3	---	410	---	---	---	---
RAM 1500 SLT	4x4	Quad Cab	No	8.0 Box	4.7L V8	3900	3900	6800	33913	3,8	---	0	7180	3	---	---	---	---	---	---
RAM 1500 SLT	4x4	Quad Cab	No	8.0 Box	5.7L V8	3900	3900	6800	33913	3,8	---	0	7180	3	---	---	---	---	---	---
RAM 1500 SLT	4x4	Mega Cab	No	6.5 Box	5.7L V8	5200	6010	8510	n/a	---	---	---	7170-2	2	---	0	40	130	150	---
RAM 1500 SLT+20" tires	4x4	Reg Cab	No	6.5 Box	4.7L V8	3900	3900	6350	33913	3,8	---	20	7180	3	---	200	380	---	---	---
RAM 1500 SLT+20" tires	4x4	Reg Cab	No	6.5 Box	5.7L V8	3900	3900	6350	33913	3,8	---	10	7180	3	---	190	---	---	---	---
RAM 1500 SLT+20" tires	4x4	Quad Cab	No	6.5 Box	4.7L V8	3900	3900	6700	33913	3,8	---	0	7180	3	---	400	---	---	---	---
RAM 1500 SLT+20" tires	4x4	Quad Cab	No	6.5 Box	5.7L V8	3900	3900	6700	33913	3,8	---	0	7180	3	---	---	---	---	---	---
RAM 1500 LARAMIE	4x4	Quad Cab	No	6.5 Box	5.7L V8	3900	3900	6700	33913	3,8	---	0	n/a	---	---	---	---	---	---	---
RAM 1500 LARAMIE	4x4	Mega Cab	No	6.5 Box	5.7L V8	5200	6010	8510	n/a	---	---	---	7170-2	2	---	0	50	150	160	---
RAM 1500 LARAMIE+20" tires	4x4	Quad Cab	No	6.5 Box	5.7L V8	3900	3900	6700	33913	3,8	---	0	n/a	---	---	---	---	---	---	---
RAM 2500 ST	4x4	Reg Cab	No	8.0 Box	5.7L V8	5200	6000	8650	n/a	---	---	---	7170-2	2	---	---	240	340	350	360
RAM 2500 ST	4x4	Reg Cab	No	8.0 Box	6.7L D	5200	6000	9000	n/a	---	---	---	7170-2	2	---	---	770	---	---	---
RAM 2500 ST	4x4	Quad Cab	No	6.5 Box	5.7L V8	5200	6000	8800	n/a	---	---	---	7170-2	2	---	---	160	260	270	290
RAM 2500 ST	4x4	Quad Cab	No	6.5 Box	6.7L D	5200	6000	9000	n/a	---	---	---	7170-2	2	---	---	860	---	---	---
RAM 2500 ST	4x4	Quad Cab	No	8.0 Box	5.7L V8	5200	6000	8800	n/a	---	---	---	7170-2	2	---	---	200	300	310	320
RAM 2500 SLT	4x4	Reg Cab	No	8.0 Box	5.7L V8	5200	6010	8650	n/a	---	---	---	7170-2	2	---	---	250	350	370	380
RAM 2500 SLT	4x4	Reg Cab	No	8.0 Box	6.7L D	5200	6000	9000	n/a	---	---	---	7170-2	2	---	---	780	---	---	---
RAM 2500 SLT	4x4	Quad Cab	No	6.5 Box	5.7L V8	5200	6010	8800	n/a	---	---	---	7170-2	2	---	---	180	280	300	310
RAM 2500 SLT	4x4	Quad Cab	No	6.5 Box	6.7L D	5200	6000	9000	n/a	---	---	---	7170-2	2	---	---	950	---	---	---
RAM 2500 SLT	4x4	Quad Cab	No	8.0 Box	5.7L V8	5200	6010	8800	n/a	---	---	---	7170-2	2	---	---	230	320	330	350
RAM 2500 SLT	4x4	Mega Cab	No	6.5 Box	5.7L V8	5200	6010	8800	n/a	---	---	---	7170-2	2	---	---	60	150	170	180
RAM 2500 LARAMIE	4x4	Quad Cab	No	6.5 Box	5.7L V8	5200	6010	8800	n/a	---	---	---	7170-2	2	---	---	170	270	280	300
RAM 2500 LARAMIE	4x4	Quad Cab	No	8.0 Box	5.7L V8	5200	6010	8800	n/a	---	---	---	7170-2	2	---	---	210	310	320	330
RAM 2500 LARAMIE	4x4	Mega Cab	No	6.5 Box	5.7L V8	5200	6010	8800	n/a	---	---	---	7170-2	2	---	---	70	170	180	200
RAM 3500 LARAMIE	4x4	Quad Cab	Yes	8.0 Box	5.7L V8	5200	9350	11500	n/a	---	---	---	7170-2	2	---	---	---	---	70	80
RAM 3500 Chassis	4x4	n/a	No	n/a	n/a	n/a	n/a	8501	n/a	---	---	---	7170-2	2	---	---	---	?	?	?
RAM 3500 Chassis	4x4	n/a	Yes	n/a	n/a	n/a	n/a	8501	n/a	---	---	---	7170-2	2	---	---	---	---	?	?
RAM 3500 Chassis	4x2	n/a	No	Chassis	n/a	n/a	n/a	8501	n/a	---	---	---	7170-2	2	---	---	---	?	?	?
RAM 3500 Chassis	4x2	n/a	Yes	Chassis	n/a	n/a	n/a	8501	n/a	---	---	---	7170-2	2	---	---	---	---	?	?
RAM 3500 ST	4x4	Reg Cab	Yes	8.0 Box	5.7L V8	5200	9350	11500	n/a	---	---	---	7170-2	2	---	---	---	---	90	100
RAM 3500 ST	4x4	Quad Cab	Yes	8.0 Box	5.7L V8	5200	9350	11500	n/a	---	---	---	7170-2	2	---	---	---	---	50	60
RAM 3500 SLT	4x4	Reg Cab	Yes	8.0 Box	5.7L V8	5200	9350	11500	n/a	---	---	---	7170-2	2	---	---	---	---	90	110
RAM 3500 SLT	4x4	Quad Cab	Yes	8.0 Box	5.7L V8	5200	9350	11500	n/a	---	---	---	7170-2	2	---	---	---	---	60	70

- Notes:**
- Ballast amounts are based on a "Representative Vehicle," defined in the vehicle selection guide instructions, and must be modified for all other configurations for axle and GVWR compliance.
 - Recommended snowplow prep package whenever available.
 - Requires bumper notching.
 - These Snowplows Are For Personal/Homeowner Use Only.

2008 Dodge/Sterling

Section 2 XBLADE™, MC-Series, XtremeV™ & XLS™ Snowplows



Blade Length	7-1/2'	8'	8'	8-1/2'	9'	9'	9'	10'	7-1/2'	7-1/2'	8-1/2'	8-1/2'	9-1/2'	9-1/2'	8'-10"
Blade Assembly	X SS	X SS	X Poly	X SS	X SS	X Poly	MC	MC	XV SS	XV MS	XV SS	XV MS	XV SS	XV MS	XLS
Blade Part Number	27510-1	28100-1	29618-1	28510-1	29100-1	29619-1	29250	29350	44775-1	44675-1	44785-1	44685-1	44795-1	44695-1	50810
Common Attachment Kit / Headgear Kit	28900		27777	28900		27777	29999		44650-1	44600-1	44650-1	44600-1	44650-1	44600-1	50600
A-Frame Kit	n/a						28665		n/a						
Hydraulic Kit	9840-2						9835-1		n/a						
Common Light	28800														
Choose Module	DRLs: 29070, Non-DRLs: 29060														
Choose a Hand-Held Control or a Joystick Control	9400										29800				
	8292										49900				

Model	Body Style	DRW	Box Option	Engine Type	Min F G A W R	Min R G A W R	Min G V W R	Peculiar Light Kit	MM2 System		Ballast Guidelines, lb (1)																
									Peculiar Att. Kit	Notes																	
RAM 1500 SLT	4x4	Mega Cab	No	6.5 Box	5.7L V8	5200	6010	8510	7170-2	2	150	---	---	---	---	---	---	---	200	200	---	---	---	---	---	---	
RAM 1500 LARAMIE	4x4	Mega Cab	No	6.5 Box	5.7L V8	5200	6010	8510	7170-2	2	160	---	---	---	---	---	---	---	220	220	---	---	---	---	---	---	
RAM 2500 ST	4x4	Reg Cab	No	8.0 Box	5.7L V8	5200	6000	8650	7170-2	2	350	400	330	420	450	370	---	---	400	400	440	440	540	540	570	570	
RAM 2500 ST	4x4	Quad Cab	No	6.5 Box	5.7L V8	5200	6000	8800	7170-2	2	270	320	250	350	370	290	---	---	330	330	370	370	460	460	490	490	
RAM 2500 ST	4x4	Quad Cab	No	8.0 Box	5.7L V8	5200	6000	8800	7170-2	2	310	360	290	380	400	320	---	---	360	360	400	400	490	490	520	520	
RAM 2500 SLT	4x4	Reg Cab	No	8.0 Box	5.7L V8	5200	6010	8650	7170-2	2	360	420	340	440	460	380	---	---	420	420	460	460	550	550	580	580	
RAM 2500 SLT	4x4	Quad Cab	No	6.5 Box	5.7L V8	5200	6010	8800	7170-2	2	290	350	270	370	390	310	---	---	350	350	390	390	480	480	520	520	
RAM 2500 SLT	4x4	Quad Cab	No	8.0 Box	5.7L V8	5200	6010	8800	7170-2	2	330	380	310	400	430	350	---	---	390	390	430	430	520	520	540	540	
RAM 2500 SLT	4x4	Mega Cab	No	6.5 Box	5.7L V8	5200	6010	8800	7170-2	2	170	220	150	240	260	180	---	---	220	220	260	260	350	350	380	380	
RAM 2500 LARAMIE	4x4	Quad Cab	No	6.5 Box	5.7L V8	5200	6010	8800	7170-2	2	280	330	260	360	380	300	---	---	340	340	380	380	470	470	500	500	
RAM 2500 LARAMIE	4x4	Quad Cab	No	8.0 Box	5.7L V8	5200	6010	8800	7170-2	2	320	370	300	390	420	340	---	---	370	370	410	410	510	510	530	530	
RAM 2500 LARAMIE	4x4	Mega Cab	No	6.5 Box	5.7L V8	5200	6010	8800	7170-2	2	180	230	160	250	280	200	---	---	240	240	280	280	370	370	400	400	
RAM 3500 LARAMIE	4x4	Quad Cab	Yes	8.0 Box	5.7L V8	5200	9350	11500	7170-2	2	---	---	---	140	160	90	---	---	---	---	160	160	270	270	300	300	
RAM 3500 Chassis	4x4	n/a	No	n/a	n/a	n/a	n/a	8501	H13 use 29049	7170-2	2	?	?	?	?	?	---	---	?	?	?	?	?	?	?	?	
RAM 3500 Chassis	4x4	n/a	Yes	n/a	n/a	n/a	n/a	8501	H13 use 29049	7170-2	2	---	---	---	?	?	?	---	---	---	---	?	?	?	?	?	
RAM 3500 Chassis	4x2	n/a	No	Chassis	n/a	n/a	n/a	8501	H13 use 29049	7170-2	2	?	?	?	?	?	---	---	?	?	?	?	?	?	?	?	
RAM 3500 Chassis	4x2	n/a	Yes	Chassis	n/a	n/a	n/a	8501	H13 use 29049	7170-2	2	---	---	---	?	?	?	---	---	---	---	?	?	?	?	?	
RAM 3500 ST	4x4	Reg Cab	Yes	8.0 Box	5.7L V8	5200	9350	11500	H13 use 29049	7170-2	2	---	---	---	160	180	100	---	---	---	---	180	180	270	270	300	300
RAM 3500 ST	4x4	Quad Cab	Yes	8.0 Box	5.7L V8	5200	9350	11500	H13 use 29049	7170-2	2	---	---	---	120	140	60	---	---	---	---	140	140	230	230	260	260
RAM 3500 SLT	4x4	Reg Cab	Yes	8.0 Box	5.7L V8	5200	9350	11500	H13 use 29049	7170-2	2	---	---	---	170	190	110	---	---	---	---	190	190	280	280	310	310
RAM 3500 SLT	4x4	Quad Cab	Yes	8.0 Box	5.7L V8	5200	9350	11500	H13 use 29049	7170-2	2	---	---	---	130	150	70	---	---	---	---	150	150	240	240	270	270
RAM 4500	4x4	n/a	Yes	n/a	n/a	n/a	n/a	10000	H13 use 29049	7186	2,10	---	---	---	?	?	?	---	---	---	---	?	?	?	?	?	
RAM 4500	4x2	n/a	Yes	n/a	n/a	n/a	n/a	10000	H13 use 29049	7186	2,10	---	---	---	?	?	?	---	---	---	---	?	?	?	?	?	
RAM 5500	4x4	n/a	Yes	n/a	n/a	n/a	n/a	10000	H13 use 29049	7186	2,10	---	---	---	?	?	?	---	---	---	---	?	?	?	?	?	
RAM 5500	4x2	n/a	Yes	n/a	n/a	n/a	n/a	10000	H13 use 29049	7186	2,10	---	---	---	?	?	?	---	---	---	---	?	?	?	?	?	
BULLET 45	4x4	n/a	Yes	n/a	n/a	n/a	n/a	10000	H13 use 29049	7186	2,10	---	---	---	?	?	?	---	---	---	---	?	?	?	?	?	
BULLET 45	4x2	n/a	Yes	n/a	n/a	n/a	n/a	10000	H13 use 29049	7186	2,10	---	---	---	?	?	?	---	---	---	---	?	?	?	?	?	
BULLET 55	4x4	n/a	Yes	n/a	n/a	n/a	n/a	10000	H13 use 29049	7186	2,10	---	---	---	?	?	?	---	---	---	---	?	?	?	?	?	
BULLET 55	4x2	n/a	Yes	n/a	n/a	n/a	n/a	10000	H13 use 29049	7186	2,10	---	---	---	?	?	?	---	---	---	---	?	?	?	?	?	

Notes:
1. Ballast amounts are based on a "Representative Vehicle," defined in the vehicle selection guide instructions, and must be modified for all other configurations for axle and GVWR compliance.

2. Recommended snowplow prep package whenever available.
10. May require bumper or air dam notching.

2008 Jeep

Section 1

Homesteader™, SD-Series & HD-Series Snowplows



Blade Length	6'-8"	7'-4"
Blade Assembly	Personal	Personal
Blade Part Number	27547	27549
Common Attachment Kit / Headgear Kit	27550	
Hydraulic Kit	27517	
Common Light	8435	
Choose Module	DRLs: 29070, Non-DRLs: 29060	
Choose a Hand-Held Control or a Joystick Control	9400	
	8292	



6'-9" SD	7'-1/2" SD	7'-1/2" HD	8' HD	8'-1/2" HD	9' HD
28069	27775	27500	28000	28500	29000
27750-1		27777			
9825-1		9840-2			
28800					
DRLs: 29070, Non-DRLs: 29060					
9400					
8292					

Model	Body Style	DRW	Box Option	Engine Type	Min F G A W R	Min R G A W R	Min G V W R	Peculiar Light Kit	Personal Plow System		Ballast Guidelines, lb (1)	MM2 System		Ballast Guidelines, lb (1)										
									Peculiar Att. Kit	Notes		Peculiar Att. Kit	Notes											
LIBERTY SPORT	4x4	SU-4DR	No	---	3.7L V6	2750	3200	5600	H13 use 29049	3713-2	8	0	0	n/a	---	---	---	---	---	---	---	---	---	
WRANGLER	4x4	SU-2DR	No	---	3.8L V6	2650	3000	4900		42113	8,49	0	0	n/a	---	---	---	---	---	---	---	---	---	---
WRANGLER UNLIMITED	4x4	SU-4DR	No	---	3.8L V6	2650	3000	4900		42113	8,49	0	0	n/a	---	---	---	---	---	---	---	---	---	---
GRAND CHEROKEE LAREDO	4x4	SU-4DR	No	---	3.7L V6	2950	3200	6100	HB3/HB4 use 29048 & 28027-2	42021	3,8	0	0	n/a	---	---	---	---	---	---	---	---	---	
GRAND CHEROKEE LIMITED	4x4	SU-4DR	No	---	4.7L V8	2950	3200	6150		42021	3,8	0	0	n/a	---	---	---	---	---	---	---	---	---	---
GRAND CHEROKEE LIMITED	4x4	SU-4DR	No	---	5.7L V8	2950	3200	6150		42021	3,8	0	0	n/a	---	---	---	---	---	---	---	---	---	---

- Notes:**
- Ballast amounts are based on a "Representative Vehicle," defined in the vehicle selection guide instructions, and must be modified for all other configurations for axle and GVWR compliance.
 - Requires bumper notching.

- These Snowplows Are For Personal/Homeowner Use Only.
- Not for use on Rubicon or other models equipped with Smartbar™.

2008 Toyota

Section 1 Homesteader™, SD-Series & HD-Series Snowplows



Blade Length	6'-8"	7'-4"
Blade Assembly	Personal	Personal
Blade Part Number	27547	27549
Common Attachment Kit / Headgear Kit	27550	
Hydraulic Kit	27517	
Common Light	8435	
Choose Module	DRLs: 29070, Non-DRLs: 29060	
Choose a Hand-Held Control or a Joystick Control	9400 8292	



6'-9" SD	7'-1/2" SD	7'-1/2" HD	8' HD	8-1/2" HD	9' HD
28069	27775	27500	28000	28500	29000
27750-1		27777			
9825-1		9840-2			
28800					
DRLs: 29070, Non-DRLs: 29060					
9400					
8292					

Model	Body Style	DRW	Box Option	Engine Type	Min F G A W R	Min R G A W R	Min G V W R	Peculiar Light Kit	Personal Plow System		Ballast Guidelines, lb (1)	MM2 System		Ballast Guidelines, lb (1)											
									Peculiar Att. Kit	Notes		Peculiar Att. Kit	Notes												
TACOMA	4x4	Reg Cab	No	6.1 Box	2.7L I4	2755	3110	5100	HB2 use 29051	32323	8	0	0	n/a	---	---	---	---	---	---	---	---	---		
TACOMA	4x4	Access Cab	No	6.1 Box	2.7L I4	2755	3110	5350		32323	8	0	10	n/a	---	---	---	---	---	---	---	---	---	---	
TACOMA	4x4	Access Cab	No	6.1 Box	4.0L V6	2755	3110	5350		32323	8	90	200	n/a	---	---	---	---	---	---	---	---	---	---	
TACOMA	4x4	Double Cab	No	5.0 Box	4.0L V6	2755	3110	5450	HB2 use 29051	32323	8	300	410	n/a	---	---	---	---	---	---	---	---	---	---	
TACOMA	4x4	Double Cab	No	6.1 Box	4.0L V6	2755	3110	5450		32323	8	480	600	n/a	---	---	---	---	---	---	---	---	---	---	---
TUNDRA DX	4x4	Reg Cab	No	6.5 Box	4.7L V8	4000	4050	6800	HB3/H11 US use 29400-2 or HB3/H11 Canada use 29400-2	32333	8	---	0	7185	51	---	130	370	---	---	---	---	---	---	
TUNDRA DX	4x4	Reg Cab	No	6.5 Box	5.7L V8	4000	4050	6800		32333	8	---	0	7185	51	---	120	550	---	---	---	---	---	---	---
TUNDRA DX	4x4	Reg Cab	No	8.0 Box	4.7L V8	4000	4150	7000		32333	8	---	0	7185	51	---	170	---	---	---	---	---	---	---	---
TUNDRA DX	4x4	Reg Cab	No	8.0 Box	5.7L V8	4000	4150	7200		32333	8	---	0	7185	51	---	140	---	---	---	---	---	---	---	---
TUNDRA SR5	4x4	Reg Cab	No	6.5 Box	4.7L V8	4000	4050	6800		32333	8	---	0	7185	51	---	130	370	---	---	---	---	---	---	---
TUNDRA SR5	4x4	Reg Cab	No	6.5 Box	5.7L V8	4000	4050	6800		32333	8	---	0	7185	51	---	120	550	---	---	---	---	---	---	---
TUNDRA SR5	4x4	Reg Cab	No	8.0 Box	4.7L V8	4000	4150	7000		32333	8	---	0	7185	51	---	170	---	---	---	---	---	---	---	---
TUNDRA SR5	4x4	Reg Cab	No	8.0 Box	5.7L V8	4000	4150	7200		32333	8	---	0	7185	51	---	140	---	---	---	---	---	---	---	---
TUNDRA SR5	4x4	Double Cab	No	6.5 Box	4.7L V8	4000	4100	6900		32333	8	---	0	7185	51	---	490	---	---	---	---	---	---	---	---
TUNDRA SR5	4x4	Double Cab	No	6.5 Box	5.7L V8	4000	4150	7100		32333	8	---	0	7185	51	---	510	---	---	---	---	---	---	---	---
TUNDRA SR5	4x4	Double Cab	No	8.0 Box	4.7L V8	4000	4150	7000		32333	8	---	0	7185	51	---	---	---	---	---	---	---	---	---	---
TUNDRA SR5	4x4	Double Cab	No	8.0 Box	5.7L V8	4000	4150	7200		32333	8	---	0	7185	51	---	---	---	---	---	---	---	---	---	---
TUNDRA SR5	4x4	Crew Max	No	5.5 Box	4.7L V8	4000	4150	7000		32333	8	---	0	7185	51	---	---	---	---	---	---	---	---	---	---
TUNDRA SR5	4x4	Crew Max	No	5.5 Box	5.7L V8	4000	4150	7200		32333	8	---	0	7185	51	---	---	---	---	---	---	---	---	---	---
TUNDRA LIMITED	4x4	Double Cab	No	6.5 Box	4.7L V8	4000	4100	6900		32333	8	---	0	7185	51	---	430	---	---	---	---	---	---	---	---
TUNDRA LIMITED	4x4	Double Cab	No	6.5 Box	5.7L V8	4000	4150	7100		32333	8	---	0	7185	51	---	490	---	---	---	---	---	---	---	---
TUNDRA LIMITED	4x4	Crew Max	No	5.5 Box	4.7L V8	4000	4150	7000		32333	8	---	0	7185	51	---	---	---	---	---	---	---	---	---	---
TUNDRA LIMITED	4x4	Crew Max	No	5.5 Box	5.7L V8	4000	4150	7200		32333	8	---	0	7185	51	---	---	---	---	---	---	---	---	---	---

Notes:
1. Ballast amounts are based on a "Representative Vehicle," defined in the vehicle selection guide instructions, and must be modified for all other configurations for axle and GVWR compliance.

8. These Snowplows Are For Personal/Homeowner Use Only.
51. For use with Minute Mount® 2 system only.

2008 Mitsubishi

Section 1 Homesteader™, SD-Series & HD-Series Snowplows



Blade Length	6'-8"	7'-4"
Blade Assembly	Personal	Personal
Blade Part Number	27547	27549
Common Attachment Kit / Headgear Kit	27550	
Hydraulic Kit	27517	
Common Light	8435	
Choose Module	DRLs: 29070, Non-DRLs: 29060	
Choose a Hand-Held Control or a Joystick Control	9400	
	8292	



6'-9" SD	7'-1/2" SD	7'-1/2" HD	8' HD	8'-1/2" HD	9' HD
28069	27775	27500	28000	28500	29000
27750-1		27777			
9825-1		9840-2			
28800					
DRLs: 29070, Non-DRLs: 29060					
9400					
8292					

Model	Body Style	DRW	Box Option	Engine Type	Min F G A W R	Min R G A W R	Min G V W R	Peculiar Light Kit	Personal Plow System		Ballast Guidelines, lb (1)	MM2 System		Ballast Guidelines, lb (1)						
									Peculiar Att. Kit	Notes		Peculiar Att. Kit	Notes							
FG	4x4	n/a	Yes	Chassis	n/a	n/a	10001	HB5 use 29050 & 28860-1	n/a	---	---	---	7179	---	---	---	---	---	?	?

Notes:
1. Ballast amounts are based on a "Representative Vehicle," defined in the vehicle selection guide instructions, and must be modified for all other configurations for axle and GVWR compliance.

2008 Mitsubishi

Section 2

XBLADE™, MC-Series, XtremeV™ & XLS™ Snowplows



Blade Length	7-1/2'	8'	8'	8-1/2'	9'	9'	9'	10'	7-1/2'	7-1/2'	8-1/2'	8-1/2'	9-1/2'	9-1/2'	8'-10'
Blade Assembly	X SS	X SS	X Poly	X SS	X SS	X Poly	MC	MC	XV SS	XV MS	XV SS	XV MS	XV SS	XV MS	XLS
Blade Part Number	27510-1	28100-1	29618-1	28510-1	29100-1	29619-1	29250	29350	44775-1	44675-1	44785-1	44685-1	44795-1	44695-1	50810
Common Attachment Kit / Headgear Kit	28900	27777	28900	27777	29999	29999	44650-1	44600-1	44650-1	44600-1	44650-1	44600-1	44650-1	44600-1	50600
A-Frame Kit	n/a						28665	n/a							
Hydraulic Kit	9840-2						9835-1	n/a							
Common Light	28800														
Choose Module	DRLs: 29070, Non-DRLs: 29060														
Choose a Hand-Held Control or a Joystick Control	9400										29800				
	8292										49900				

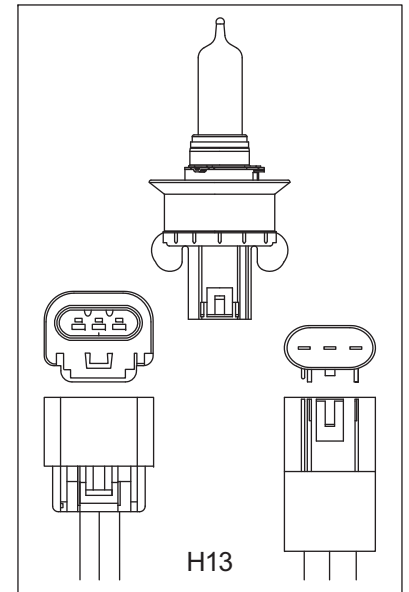
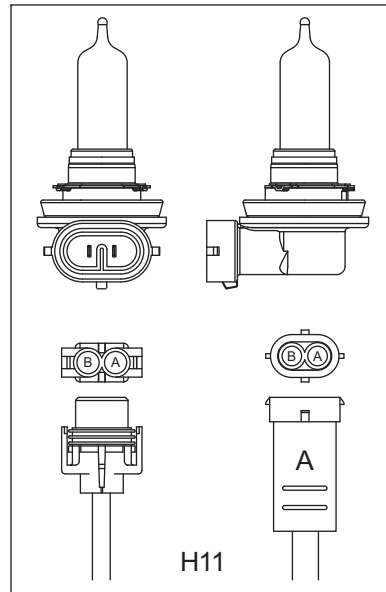
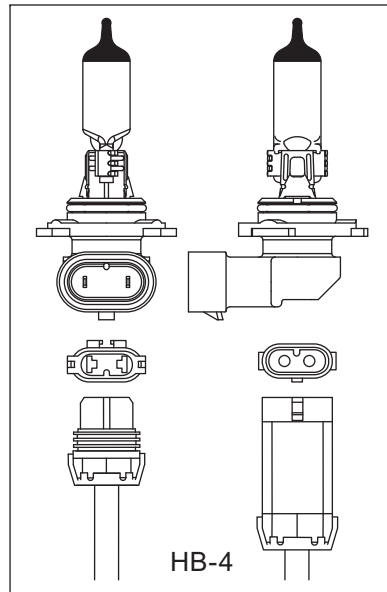
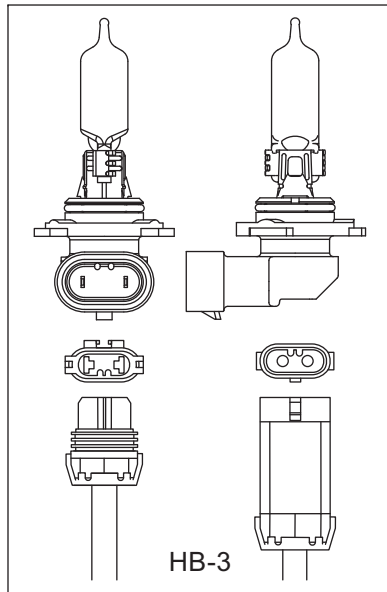
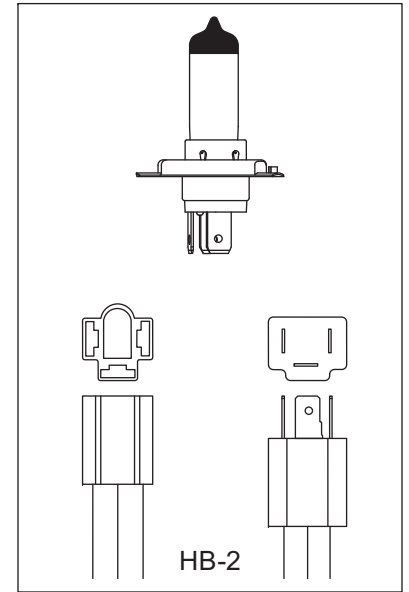
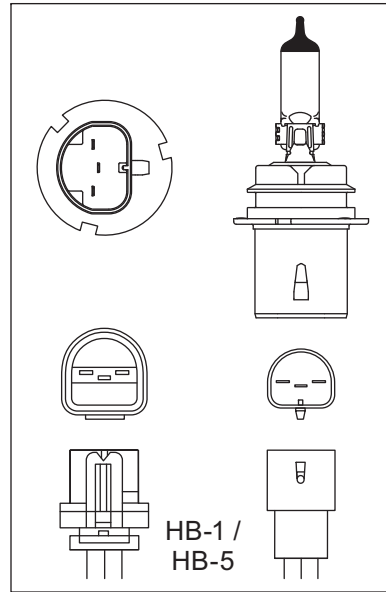
Model	Body Style	DRW	Box Option	Engine Type	Min F G A W R	Min R G A W R	Min G V W R	Peculiar Light Kit	MM2 System		Ballast Guidelines, lb (1)															
									Peculiar Att. Kit	Notes																
FG	4x4	n/a	Yes	Chassis	n/a	n/a	n/a	10001	HB5 use 29050 & 28860-1	7179	---	---	---	---	?	?	?	---	---	---	---	?	?	---	---	---

Notes:
1. Ballast amounts are based on a "Representative Vehicle," defined in the vehicle selection guide instructions, and must be modified for all other configurations for axle and GVWR compliance.

Headlamp Type Identification Guide

NOTE: The lamp type is usually embossed in the headlamp lens.

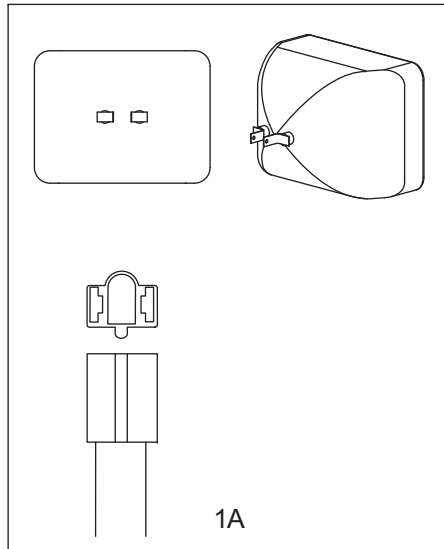
Bulb Type	Trade Number
HB-1	9004
HB-2	9003
HB-3	9005
HB-4	9006
HB-5	9007
H11	H11
H13	9008



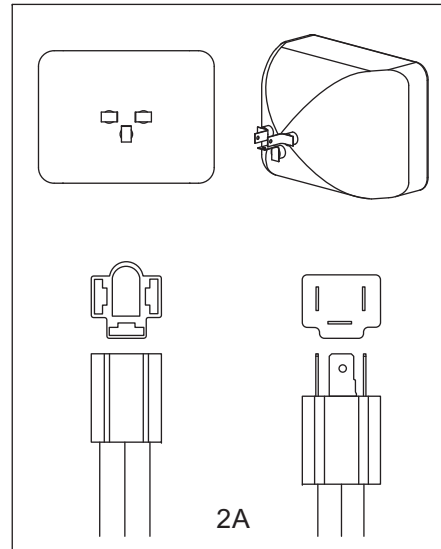
Headlamp Type Identification Guide

NOTE: The lamp type is usually embossed in the headlamp lens.

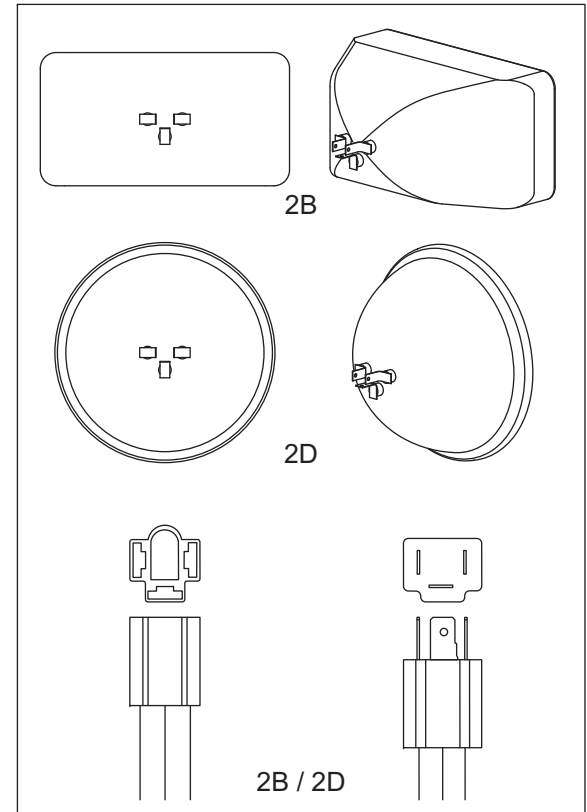
Bulb Type	Trade Number
1A	4651, H4651
2A	H4652, H4656, H4739
2E	H4666, H6545
2B	6052, H6054, H6059
2D	6006, 6014, 6015, H6024
LF	H4703
UF	H4701



1A



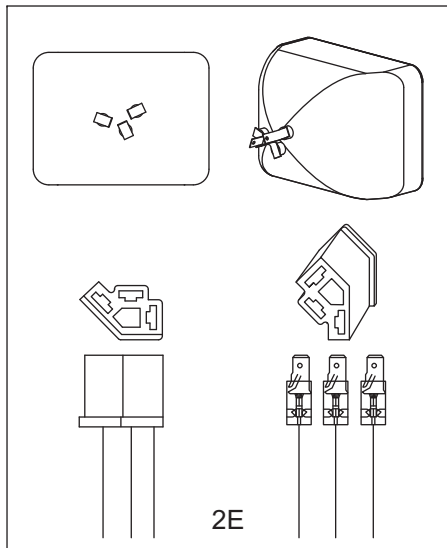
2A



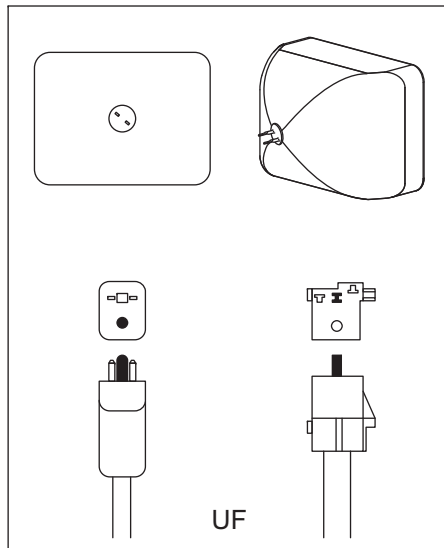
2B

2D

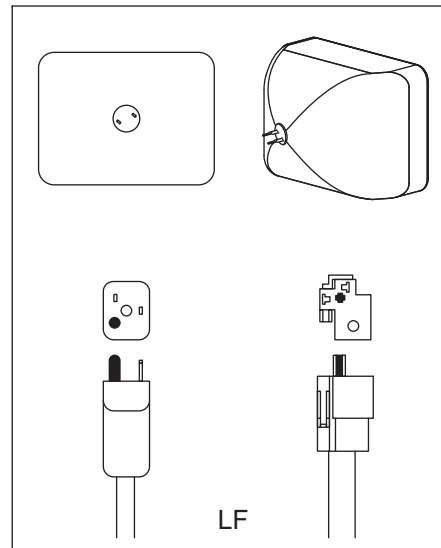
2B / 2D



2E



UF



LF

Snowplow Component Weights

Off-Truck Assembly with Blade			
Size	Blade Assembly	Wt (lb)	Z
6'-8"	Personal Plow	239	20.4
7'-4"	Personal Plow	257	20.8
6'-9"	SD	472	18.7
7-1/2'	SD	487	19.7
7-1/2'	HD	637	20.6
8'	HD	717	26.4
8-1/2'	HD	731	26.5
9'	HD	745	26.6
7-1/2'	XBLADE™ Snowplow (SS)	742	24.5
8'	XBLADE Snowplow (SS)	790	26.0
8'	XBLADE Snowplow (Poly)	721	24.0
8-1/2'	XBLADE Snowplow (SS)	813	26.5
9'	XBLADE Snowplow (SS)	835	27.0
9'	XBLADE Snowplow (Poly)	757	25.0
7-1/2'	XtremeV™ Snowplow	849	18.3
8-1/2'	XtremeV Snowplow	899	18.2
9-1/2'	XtremeV Snowplow	1031	18.1
8'-10'	XLS™ Snowplow	985	25.2
9'	MC	1350	25.5
10'	MC	1410	26.0

On-Truck Attachment											
Kit #	Wt (lb)	X	Y	Kit #	Wt (lb)	X	Y	Kit #	Wt (lb)	X	Y
Homesteader™ Kits											
1203	34.0	27.0	6.0	2313	30.0	27.0	5.0	32323	36.0	30.0	7.3
1213-1	23.0	26.0	6.0	3713-2	20.0	26.0	5.0	32333	40.0	30.0	6.0
1223	40.0	28.0	7.0	3723	35.0	21.4	5.0	33903	45.0	31.0	7.8
1233	34.0	32.0	7.1	31243	36.0	28.0	6.5	33913	49.0	40.0	4.0
1503	26.0	27.0	6.0	31303	43.0	27.9	4.8	42021	37.0	29.0	8.0
1523	26.0	30.0	6.0	31313	38.0	25.0	5.0	42113	29.0	23.5	5.5
1533-1	31.0	26.0	5.0	31543-1	20.0	28.5	7.1				
2303	41.0	29.0	6.0	31553	34.0	32.0	5.5				
Minute Mount® 2 Kits											
7124	48.0	29.0	7.0	7158	55.0	29.0	7.0	7173	73.0	31.0	9.8
7125	48.0	32.0	8.0	7159-2	96.0	31.0	7.0	7174	37.0	32.0	7.1
7126	88.0	31.0	8.0	7160	44.0	32.0	8.0	7175	30.0	32.3	8.1
7128	110.0	31.0	8.0	7161	44.0	32.0	9.0	7176	52.0	34.6	10.2
7129	78.0	32.0	8.0	7162-1	127.0	38.0	7.0	7177	111.0	39.0	7.0
7131	126.0	31.0	8.0	7163-1	32.0	23.0	4.0	7178	37.0	32.5	8.1
7132	118.0	31.0	8.0	7164	173.0	31.0	8.0	7179	115.0	38.0	7.0
7138	48.0	32.0	8.0	7165	55.0	30.0	7.0	7180	45.0	34.0	8.5
7144	73.0	32.0	8.0	7166	49.0	31.0	7.0	7182	36.0	38.5	7.0
7150	60.0	31.0	8.0	7167	46.0	37.0	9.0	7183	84.0	35.0	10.2
7151-2	191.0	30.0	8.0	7168	44.0	35.0	9.0	7185	46.0	31.0	8.0
7152-1	215.0	31.0	8.0	7169	45.0	35.0	10.0	7186	75.0	36.0	6.0
7155	55.0	30.0	7.0	7170-2	54.0	36.0	7.0	7187	190.0	39.0	9.8
7156-1	VARIES	VARIES	VARIES	7171	111.0	39.0	7.0				
7157	62.0	30.0	7.0	7172	174.0	39.0	9.8				

NOTE: An abbreviation key is on page 2.

NOTE: See next section for variable definitions.

Snowplow Component Weights

Accessories					
Description	Kit #	Added Snowplow Weight	Description	Kit #	Added Snowplow Weight
Cutting Edge 7-1/2' SD/HD	5532	59	Deflector – Steel 7-1/2' SD/HD	283	28
Cutting Edge 8' HD	5533	84	Deflector – Steel 8' HD	26480	33
Cutting Edge 8-1/2' HD	26460	91	Deflector – Steel 8-1/2' HD	26485	35
Cutting Edge 9' HD	5534	95	Deflector – Steel 9' HD/MC	26490	36
Cutting Edge 7-1/2' XBLADE™ Snowplow	28575	79	Back Drag Edge 7-1/2' XtremeV Snowplow	44281-2†	26
Cutting Edge 8' XBLADE Snowplow	27580	84	Back Drag Edge 8-1/2' XtremeV Snowplow	44282-2†	29
Cutting Edge 8-1/2' XBLADE Snowplow	27585	91	Back Drag Edge 9-1/2' XtremeV Snowplow	44283-2†	33
Cutting Edge 9' XBLADE Snowplow	27590	95	Poly Shoe Kit Personal Plow	27710	3.3
Cutting Edge 7-1/2' XtremeV™ Snowplow (1/2")	44742-1	80	Shoe Kit SD Blades	27880	22
Cutting Edge 8-1/2' XtremeV Snowplow (1/2")	44743-1	90	Shoe Kit XBLADE – Curb/Wear Shoe	27222	38
Cutting Edge 8'–10' XLS™ Snowplow (1/2")	50678	79	Curb Shoe Kit – Pair 1/2"	44405	35
Deflector – Rubber 7-1/2', 8', 8-1/2', 9' SD/HD	22470-1	29,31,33,35	Curb Shoe Kit – Pair 5/8"	44406	24
Deflector – Rubber 7-1/2', 8', 8-1/2', 9' XBLADE Snowplow	27600-1	32,33,34,35	SnoFoil® Assembly for 7-1/2', 8', 8-1/2', 9' HD	27100	50
Deflector – Rubber 7-1/2', 8-1/2', 9-1/2' XtremeV Snowplow	44710	34	SnoFoil Assembly 9' MC	22380	64
Deflector – Rubber 8'–10' XLS Snowplow	50628	44	SnoFoil Assembly 10' MC	22200	66
Deflector – Rubber 9' & 10' MC	22390	53	Blade Wing Extension XtremeV Snowplow	44610-1	110
Deflector – Steel 6'-9" SD	22269	24	Blade Stop Kit XtremeV Snowplow	44473	18

† Shoes and Back Drag Edges for the XtremeV™ Snowplow are not compatible and may not be installed at the same time.

NOTE: An abbreviation key is on page 2.

NOTE: See next page for variable definitions.

NOTE: The addition of accessories to a snowplow or vehicle will require additional ballast above any amount published in this guide in order to maintain FMVSS compliance. Completed vehicle with additional accessories shall not exceed GVWR or GAWR.

Snowplow Weight Calculation

Available vehicle capacities for aftermarket equipment and components can be determined by using the information in this guide along with information provided by the vehicle manufacturer's *Body Builder Guides*. Follow all requirements and recommendations of the vehicle manufacturer.

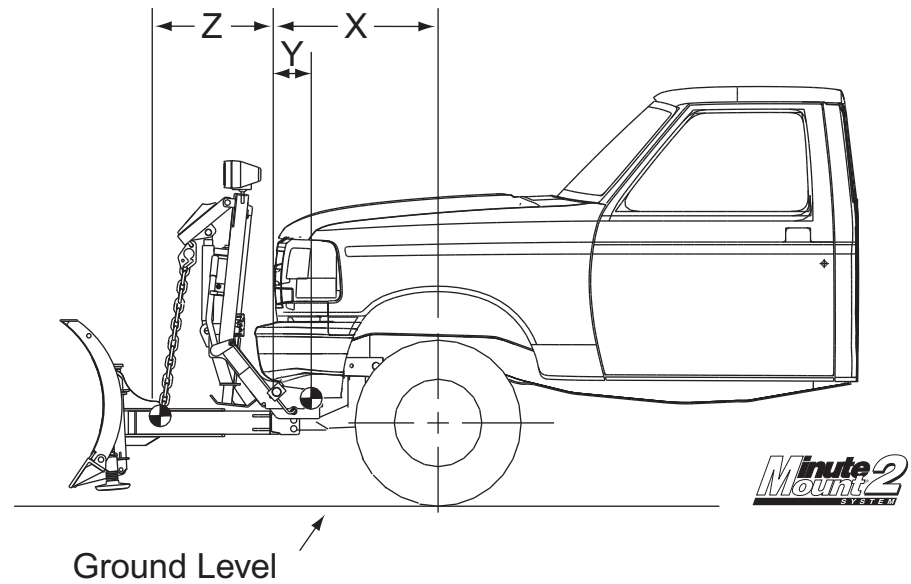
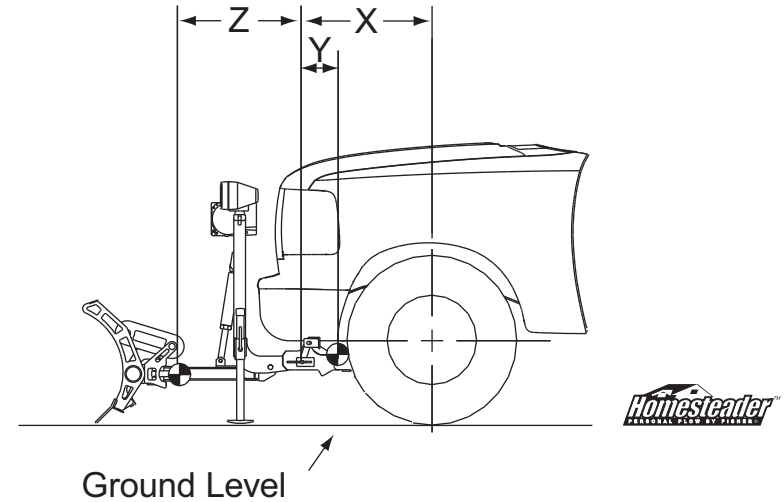
VARIABLES

X = Distance from front axle to connecting pin.

Y = Distance from connecting pin to attachment Cg.

Z = Distance from connecting pin to snowplow Cg.

NOTE: An abbreviation key is on page 2.



Ballast Inquiry Sheet



Fisher Engineering
 50 Gordon Drive
 Rockland, Maine 04841

Telephone (207) 701-4200
 Fax (866) 855-2767

DISTRIBUTOR	TEL
	FAX
CUSTOMER	DATE BUILT
VIN	

VEHICLE INFORMATION

YEAR	
MAKE	
MODEL	
DRIVE TRAIN	<input type="checkbox"/> 2WD (over 10,000 lb GVW only) <input type="checkbox"/> 4WD <input type="checkbox"/> ALL WHEEL <input type="checkbox"/> OTHER
DRW (Dual Rear Wheels)	<input type="checkbox"/> YES <input type="checkbox"/> NO
BODY STYLE	<input type="checkbox"/> REG CAB <input type="checkbox"/> X-CAB <input type="checkbox"/> OTHER
BOX OPTION(S)	<input type="checkbox"/> DUMP BOX <input type="checkbox"/> STAKE BED <input type="checkbox"/> OTHER
ENGINE TYPE	
GFAWR	
GRAWR	
GVWR	

HORIZONTAL DISTANCE DESCRIPTION

L31	DRIVERS hip point; in MIDDLE position, to Centerline of FRONT axle	(in)
L101	Between axles (Wheelbase)	(in)
L104	Middle of FRONT bumper to centerline of FRONT axle	(in)
	Middle of ballast location to centerline of REAR axle	(in)

VEHICLE WEIGHT (TRUCK MUST BE WEIGHED COMPLETE AND EMPTY (-) OCCUPANTS, PLOW & MOUNT)

Front (lb)	Rear (lb)

FUEL TANKS (ONLY NEEDED IF WEIGHED VEHICLE NOT FULLY FUELED)

	Level (See Below)	Capacity (gal)	Location From Rear Axle to Center of Tank (in)
Front of Rear Axle			
Rear of Rear Axle			

FUEL LEVEL (EMPTY=0, HALF = 1/2, FULL = 1)

THIS FORM MUST BE COMPLETED IN ITS ENTIRETY. ANY FORMS CONTAINING INCOMPLETE INFORMATION WILL NOT BE CONSIDERED. PLEASE RETURN VIA FAX (866) 855-2767.

Fisher Engineering or the vehicle manufacturer may require or recommend optional equipment for snow removal. See the Fisher Engineering Kit Selection Guide for additional product information.

Notes:



Fisher Engineering
50 Gordon Drive
Rockland, ME 04841-2139
www.fisherplows.com

 A SUBSIDIARY OF DOUGLAS DYNAMICS, L.L.C.

Fisher Engineering reserves the right under its product improvement policy to change construction or design details and furnish equipment when so altered without reference to illustrations or specifications used. Fisher Engineering or the vehicle manufacturer may require or recommend optional equipment for snow removal. Do not exceed vehicle ratings with a snowplow. Fisher Engineering offers a limited warranty for all snowplows and accessories. See separately printed page for this important information. The following are registered (®) or unregistered (™) trademarks of Douglas Dynamics, L.L.C.: FISHER®, Homesteader™, Minute Mount® 2, SnoFoil®, XBLADE™, XLS™, XtremeV™.

Printed in U.S.A.