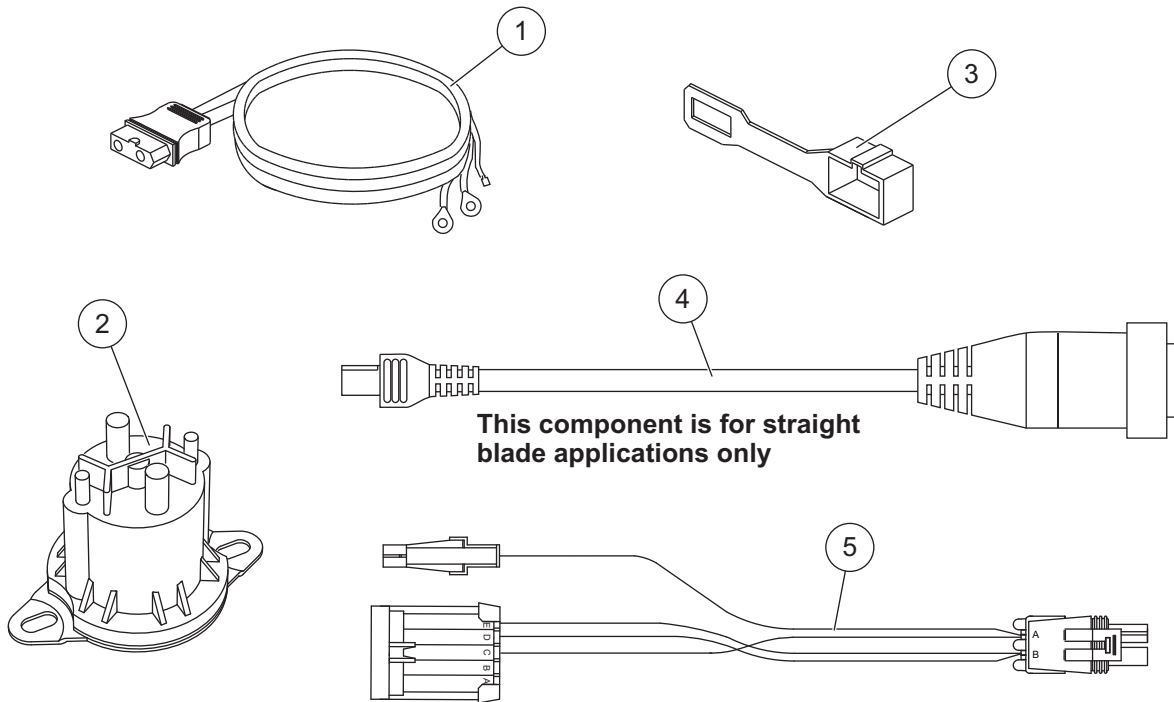




On-Truck Wiring Kit

E-Force Light System

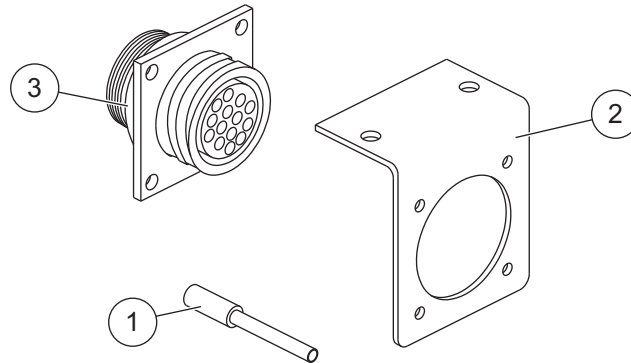
PARTS LIST



26705-2 On-Truck Wiring Kit – E-Force Light System							
Item	Part	Qty	Description	Item	Part	Qty	Description
1	63411	1	Vehicle Battery Cable	ns	56496	1	EZ-V Connector Bagged Assembly
2	5794K-1	1	Motor Relay	ns	26346	1	Vehicle Control Harness
3	8291K	1	Plug Cover	ns	22511	1	22" Red Battery Cable
4	21792K	1	EZ-V® Adapter Cable Kit	ns	64280	1	Bolt Bag
5	29047	1	Adapter – 3-Port to 26345/26346 Vehicle Control Harness				

ns = not shown

**EZ-V® Connector
Bagged Assembly – 56496**



56496 EZ-V Connector Bagged Assembly							
Item	Part	Qty	Description	Item	Part	Qty	Description
1	66767	1	Pin Removal Tool	ns	91259	4	6 External-Tooth Lock Washer
2	66634	1	Vehicle Harness Bracket	ns	93154	2	8-18 x 5/8 Tapping Screw
3	56497	1	14-Pin Connector Housing	ns		4	6-32 x 1/4 Tapping Screw
64280 Bolt Bag							
ns		1	Rubber Grommet	ns		2	1/4 Flat Washer Type A Wide
ns		2	1/4-20 Hex Locknut GB	ns		2	5/16 Spring Lock Washer
ns		2	1/4-20 x 3/4 Hex Locknut G5	ns		2	10 Spring Lock Washer
ns		1	M6 x 1.00 x 25 Hex Cap Screw G8.8	ns		2	10-32 Hex Machine Screw Nut
ns		1	M6 x 1.00 Hex Nut G10	ns		2	5/16-24 Hex Jam Nut G5
ns		1	M6 Regular Flat Washer				
ns = not shown				G = Grade			

Copyright © 2012 Douglas Dynamics, L.L.C. All rights reserved. This material may not be reproduced or copied, in whole or in part, in any printed, mechanical, electronic, film or other distribution and storage media, without the written consent of Fisher Engineering. Authorization to photocopy items for internal or personal use by Fisher Engineering outlets or snowplow owner is granted.

Fisher Engineering reserves the right under its product improvement policy to change construction or design details and furnish equipment when so altered without reference to illustrations or specifications used. Fisher Engineering or the vehicle manufacturer may require or recommend optional equipment for snow removal. Do not exceed vehicle ratings with a snowplow. Fisher Engineering offers a limited warranty for all snowplows and accessories. See separately printed page for this important information. The following are registered (®) trademarks of Douglas Dynamics, L.L.C.: EZ-V®, FISHER®.

Printed in U.S.A.