



Straight Blade Snowplow Label Replacement Kit

PARTS LIST

Description	Minute Mount® System	Minute Mount® 2 System
FISHER® Splatter	20238	
STORM GUARD™ Label	26211 (for powder-coated blades only)	
Identity Label	–	27515 for XBLADE™ blades
	–	96361 for HT Series™ blades
	–	43893 for HD2™ blades
	–	43672 for HDX™ blades
Warning/Caution Label	59900	
Attach/Detach Label	8248	HT Series: 69516 for single jack leg 69759 for dual jack leg
	–	
	–	27451 for all other blades

INSTALLATION INSTRUCTIONS

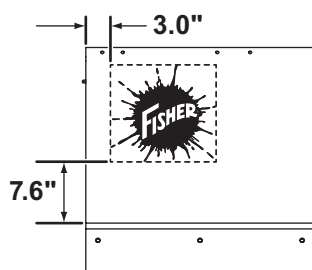
Select the above labels from the kit based on the type of mounting system on the snowplow.

ALL MOUNTING SYSTEMS

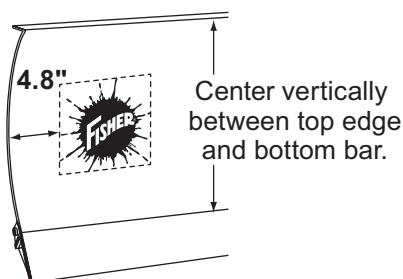
FISHER Splatter – 20238

Place on the PASSENGER'S SIDE for ALL blades.

HT Series Blades

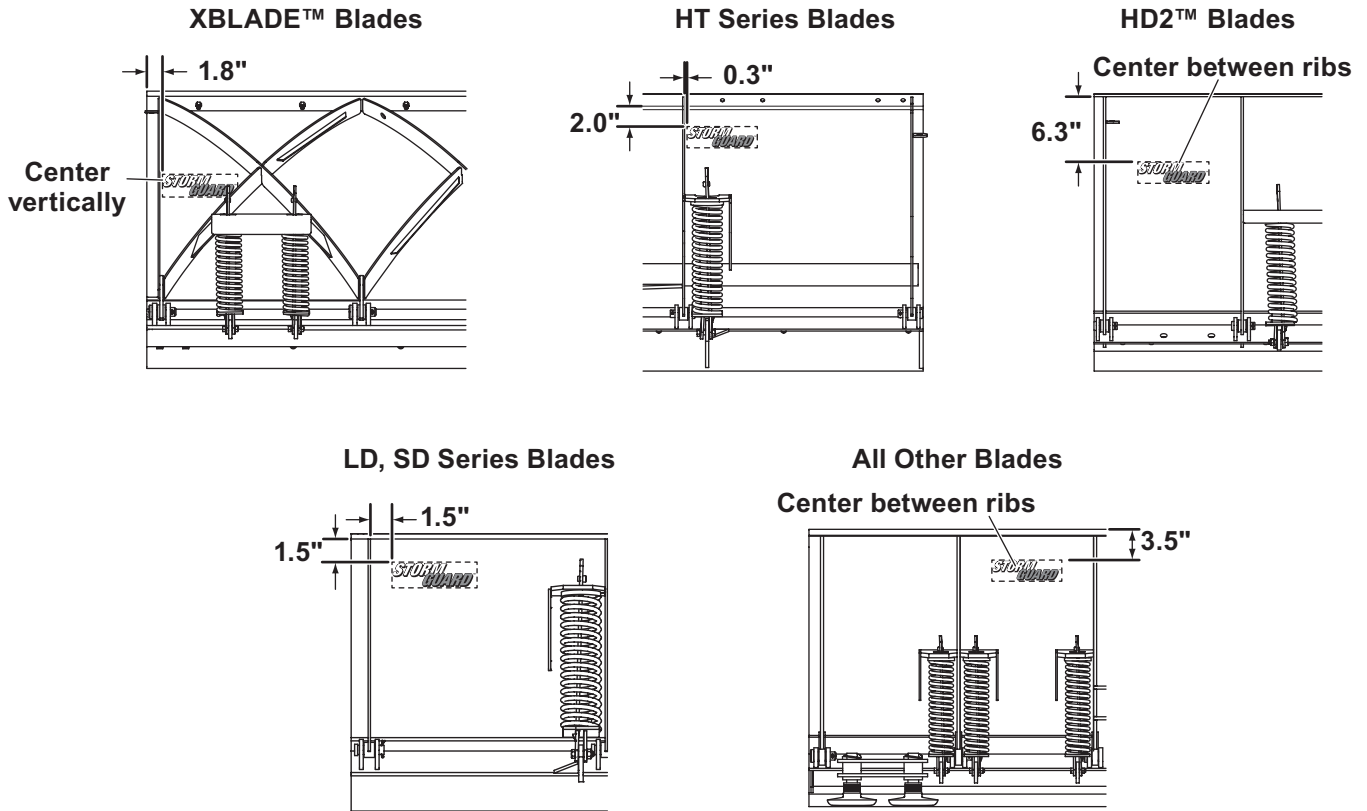


All Other Straight Blades



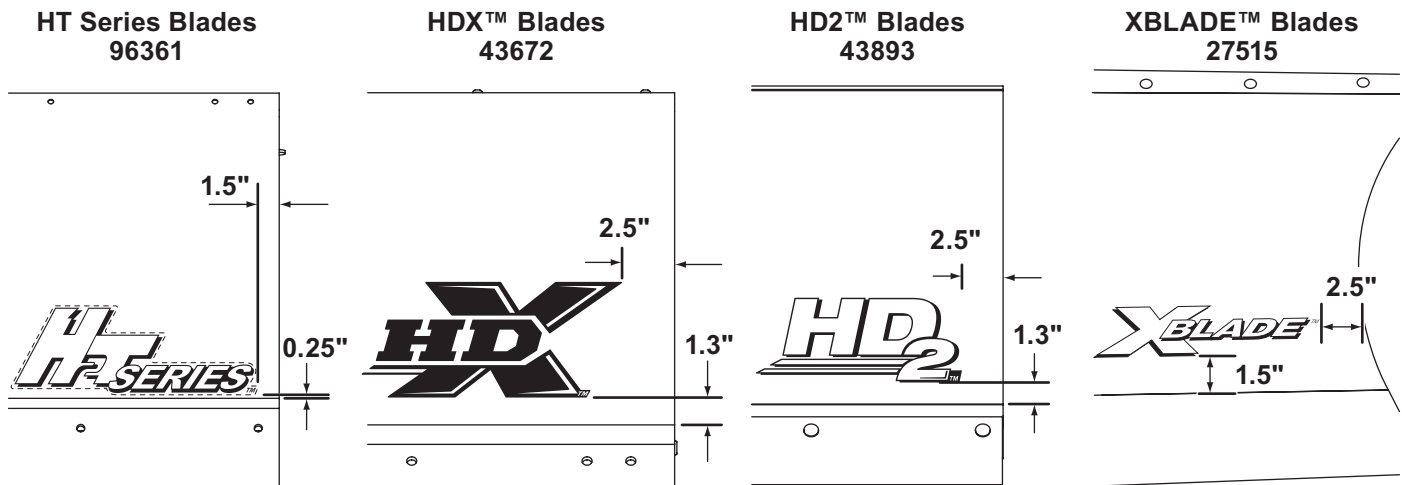
STORM GUARD™ Label (Painted Blades Only) – 26211

Place on the PASSENGER'S SIDE for HT Series™ blades, and on the DRIVER'S SIDE for ALL OTHER blades.



Identity Labels

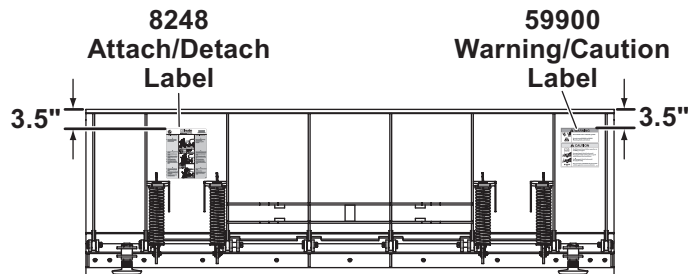
Place on the DRIVER'S SIDE for ALL blades.



Minute Mount® SYSTEM

Warning/Caution and Attach/Detach Labels

Straight Blades

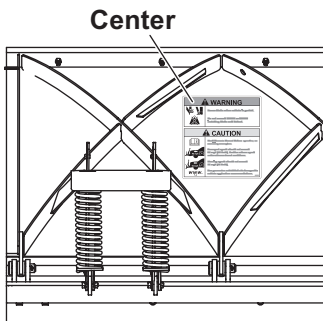


Minute Mount® 2 SYSTEM

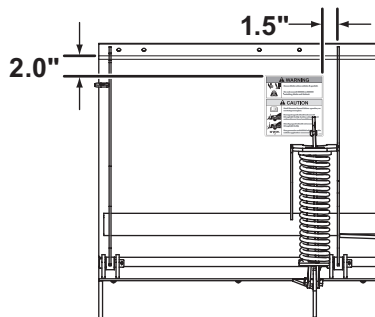
Warning/Caution Label – 5990

Place on the DRIVER'S SIDE for ALL blades.

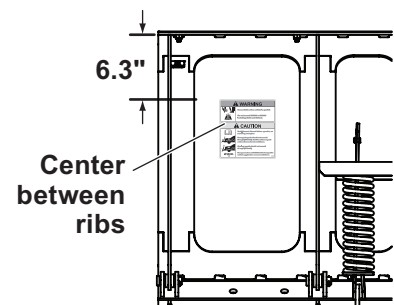
XBLADE™ Blades



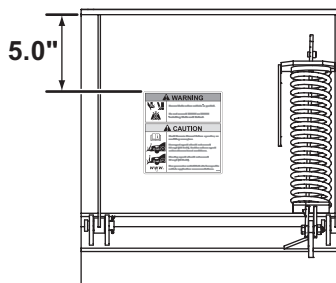
HT Series™ Blades



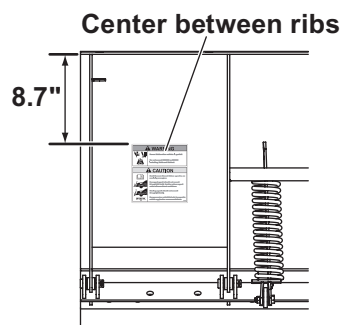
HDX™ Blades



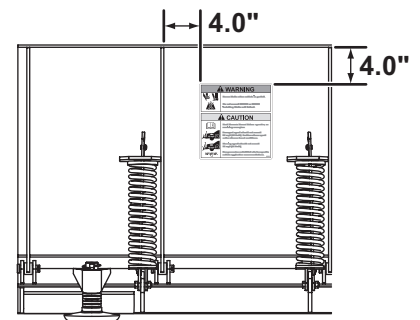
LD, SD Series Blades



HD2™ Blades



All Other Blades

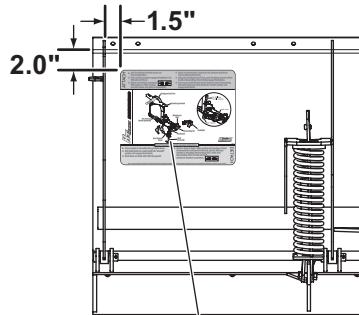


Attach/Detach Label

HT Series™ Blades

HT Series blades
with single jack stand
use label **69516**

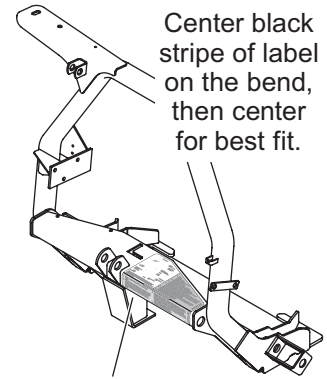
HT Series blades
with dual jack stand
use label **69759**



Attach/Detach Label

All Other Blades

Center black
stripe of label
on the bend,
then center
for best fit.



Attach/Detach Label – 27451

Copyright © 2015 Douglas Dynamics, LLC. All rights reserved. This material may not be reproduced or copied, in whole or in part, in any printed, mechanical, electronic, film or other distribution and storage media, without the written consent of Fisher Engineering. Authorization to photocopy items for internal or personal use by Fisher Engineering outlets or snowplow owner is granted.

Fisher Engineering reserves the right under its product improvement policy to change construction or design details and furnish equipment when so altered without reference to illustrations or specifications used. Fisher Engineering or the vehicle manufacturer may require or recommend optional equipment for snow removal. Do not exceed vehicle ratings with a snowplow. Fisher Engineering offers a limited warranty for all snowplows and accessories. See separately printed page for this important information. The following are registered (®) or unregistered (™) trademarks of Douglas Dynamics, LLC: FISHER®, HD2™, HDX™, HT Series™, Minute Mount®, Minute Mount® 2, STORM GUARD™, XBLADE™.

Printed in U.S.A.