



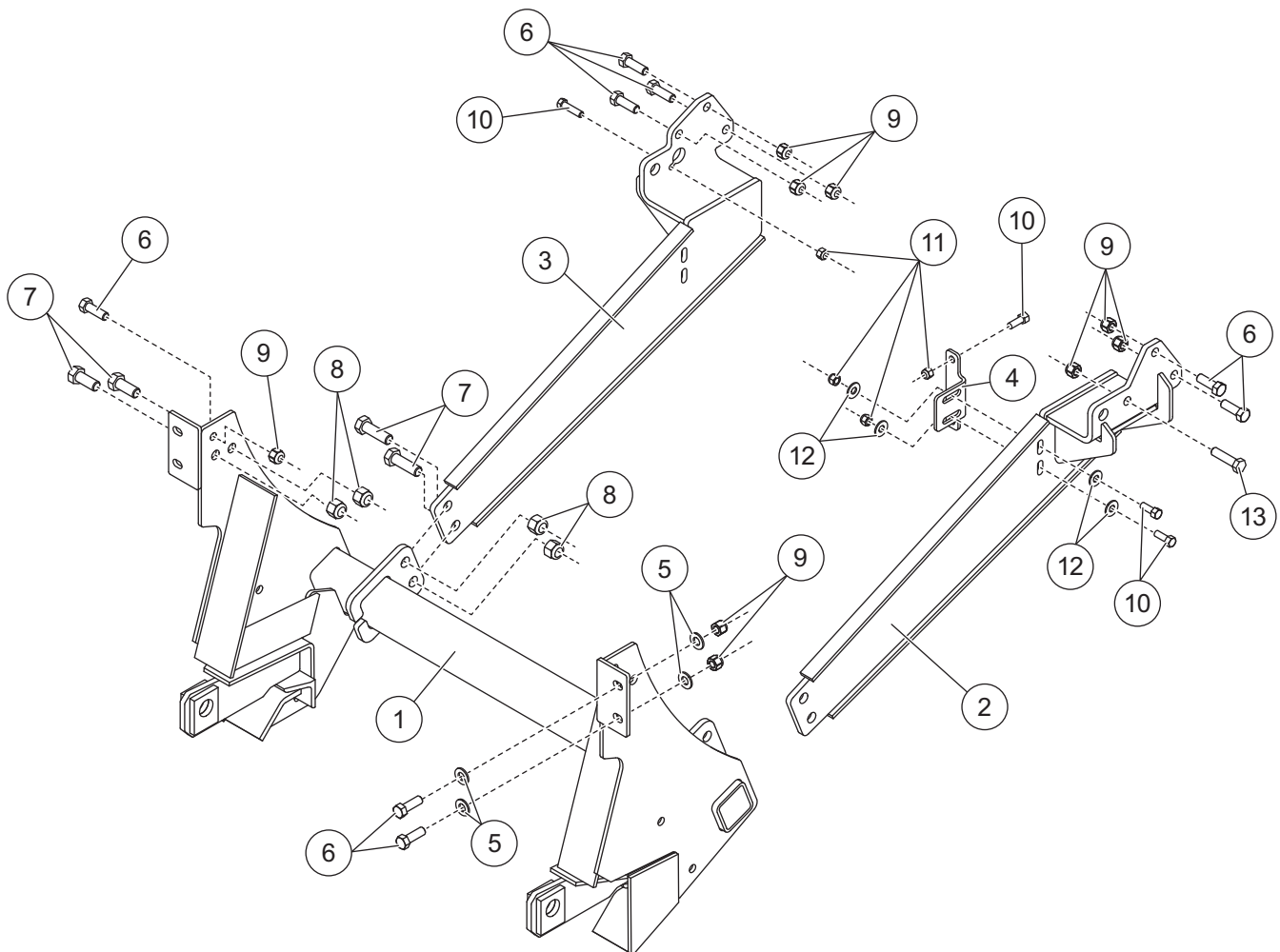
Minute² SYSTEM

MOUNT KIT

Mitsubishi FG

2012 - ___

Parts List



7195 Mount Kit							
Item	Part	Qty	Description	Item	Part	Qty	Description
1	42815	1	Main Mount	4	42818	1	Bracket
2	42816	1	DS Thrust Arm	ns	42819	1	Bolt Bag
3	42817	1	PS Thrust Arm				
42819 Bolt Bag							
5		8	1/2 Flat Washer	10		4	3/8 x 1-1/2 Hex Cap Screw G5
6		11	1/2 x 1-1/2 Hex Cap Screw G5	11		4	3/8 Hex Locknut GB
7		8	5/8 x 2 Hex Cap Screw G5	12		4	3/8" Flat Washer
8		8	5/8 Hex Locknut GB	13		1	1/2 x 2 Hex Cap Screw G5
9		12	1/2 Hex Locknut GB				
ns = not shown				G = Grade			

Copyright © 2011 Douglas Dynamics, L.L.C. All rights reserved. This material may not be reproduced or copied, in whole or in part, in any printed, mechanical, electronic, film or other distribution and storage media, without the written consent of Fisher Engineering. Authorization to photocopy items for internal or personal use by Fisher Engineering outlets or snowplow owner is granted.

Fisher Engineering reserves the right under its product improvement policy to change construction or design details and furnish equipment when so altered without reference to illustrations or specifications used. Fisher Engineering or the vehicle manufacturer may require or recommend optional equipment for snow removal. Do not exceed vehicle ratings with a snowplow. Fisher Engineering offers a limited warranty for all snowplows and accessories. See separately printed page for this important information. The following are registered (®) trademarks of Douglas Dynamics, L.L.C.: FISHER®, Minute Mount® 2.

Printed in U.S.A.