



Fisher Engineering

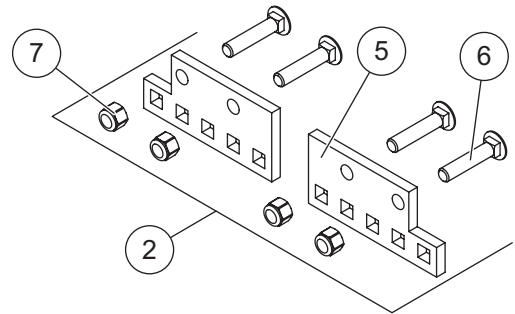
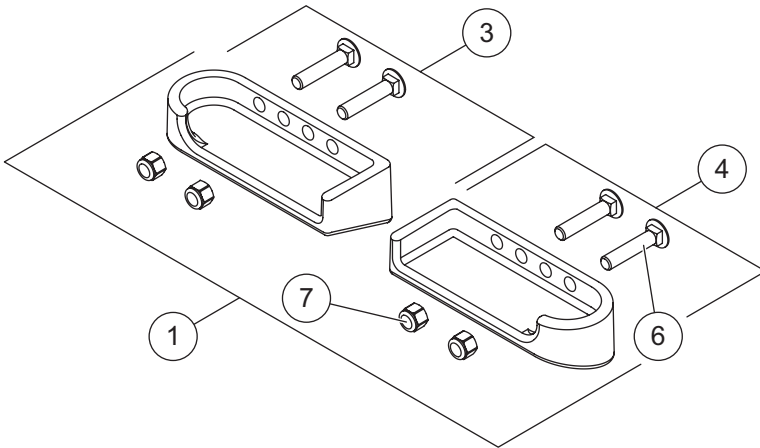
P.O. Box 529 Rockland, Maine 04841 • www.fisherplows.com

**44850
44851**

October 31, 2006
Lit. No. 44848, Rev. 00

Curb/Wear Shoe Kit for XtremeV™ Snowplows

PARTS LIST



44850 XtremeV Curb/Wear Shoe Kit			
Item	Part	Qty	Description
1	27222	1	Curb/Wear Shoe Kit
2	44851	1	Curb/Wear Shoe Adapter Kit
ns	44849	1	Bolt Bag for 44850 Shoe Kit
27222 Curb/Wear Shoe Kit			
3	26701	1	Shoe Kit – DS
4	26702	1	Shoe Kit – PS
ns	26696	2	Bolt Bag for 26701/02 Shoe Kit
44851 Curb/Wear Shoe Adapter Kit			
5		2	Curb/Wear Shoe Mounting Plate
ns	44845	1	Bolt Bag for 44851 Adapter Kit
ns = not shown			

Bolt Bags				
Item	Description	Qty		
		26696	44845	44849
6	5/8-11 x 2-1/2 Carriage Bolt G5	2	4	8
7	5/8-11 Hex Locknut GB	2	4	8
G = grade				

⚠ WARNING

Do not exceed GVWR or GAWR, including blade and ballast. The rating label is found on the driver-side vehicle door cornerpost.

⚠ CAUTION

Use standard methods and practices when attaching snowplow and installing accessories including proper personal protective safety equipment.

⚠ CAUTION

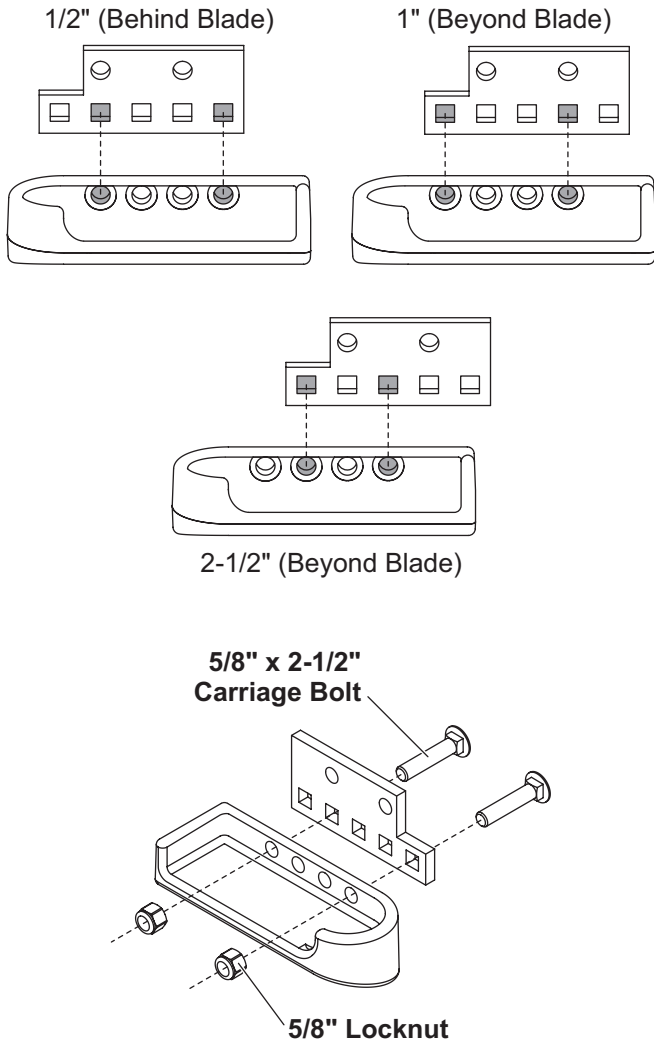
Read this document before installing the Curb/Wear Shoe Kit.

⚠ CAUTION

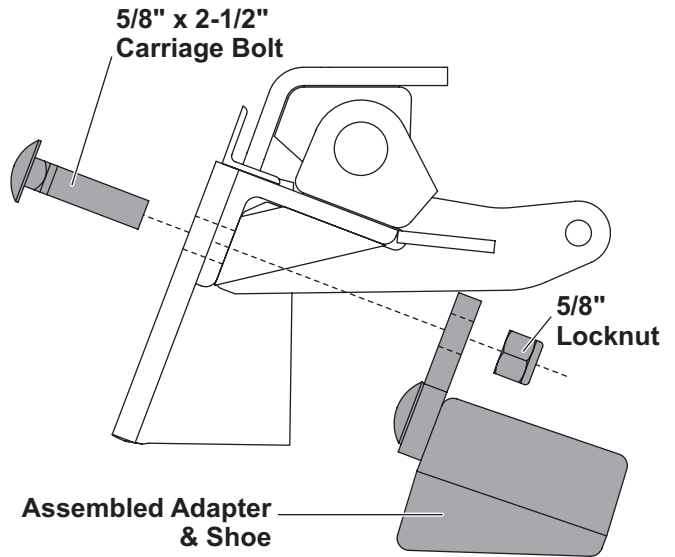
See your FISHER® outlet/Web site for specific vehicle application recommendations before installation. Shoe Kit weight information may be found in the Kit Selection Guide.

INSTALLATION INSTRUCTIONS

1. Mount the shoe to the adapter plate in one of the positions shown below using the supplied carriage bolts. Space the bolts as far apart as possible.



2. Put a locknut on each carriage bolt and tighten to 150 ft-lb.
3. Repeat with the other shoe and adapter.
4. Remove and discard the fasteners from the two outermost holes in each cutting edge. Mount the adapter plates and shoes to the base angles using the supplied carriage bolts.



5. Put a locknut on each carriage bolt and tighten to 150 ft-lb.

Copyright © 2006 Douglas Dynamics, L.L.C. All rights reserved. This material may not be reproduced or copied, in whole or in part, in any printed, mechanical, electronic, film or other distribution and storage media, without the written consent of Fisher Engineering. Authorization to photocopy items for internal or personal use by Fisher Engineering outlets or snowplow owner is granted.

Fisher Engineering reserves the right under its product improvement policy to change construction or design details and furnish equipment when so altered without reference to illustrations or specifications used. Fisher Engineering or the vehicle manufacturer may require or recommend optional equipment for snow removal. Do not exceed vehicle ratings with a snowplow. Fisher Engineering offers a limited warranty for all snowplows and accessories. See separately printed page for this important information. The following are registered (®) or unregistered (™) trademarks of Douglas Dynamics, L.L.C.: FISHER®, XtremeV™.