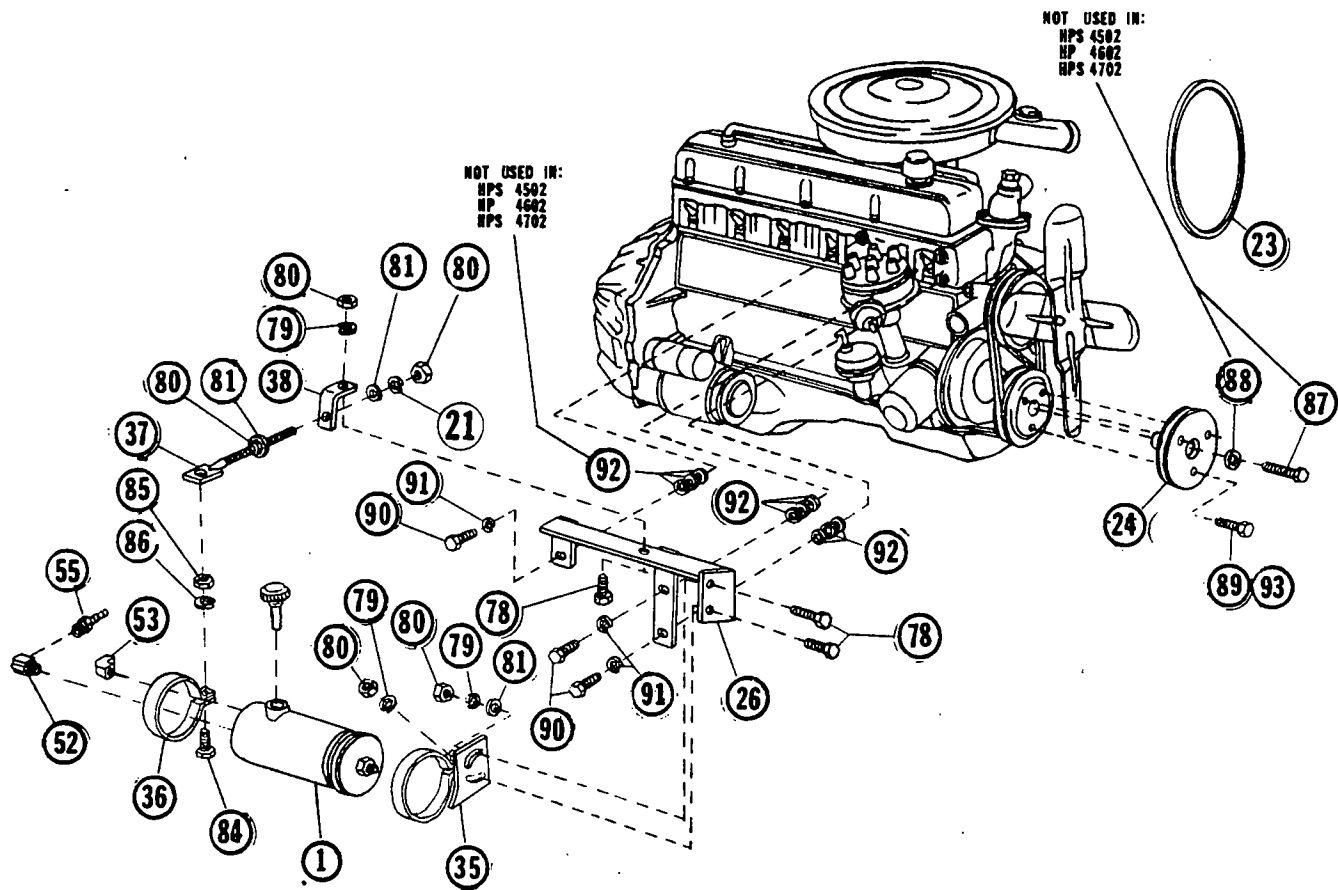
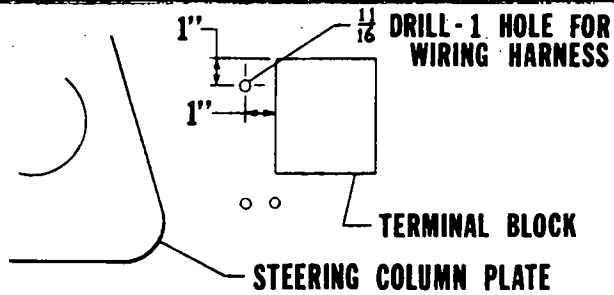


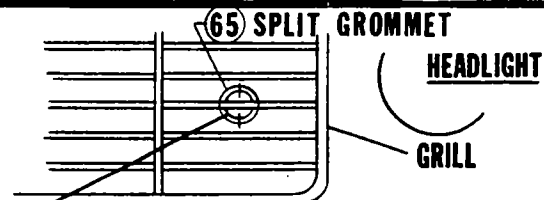
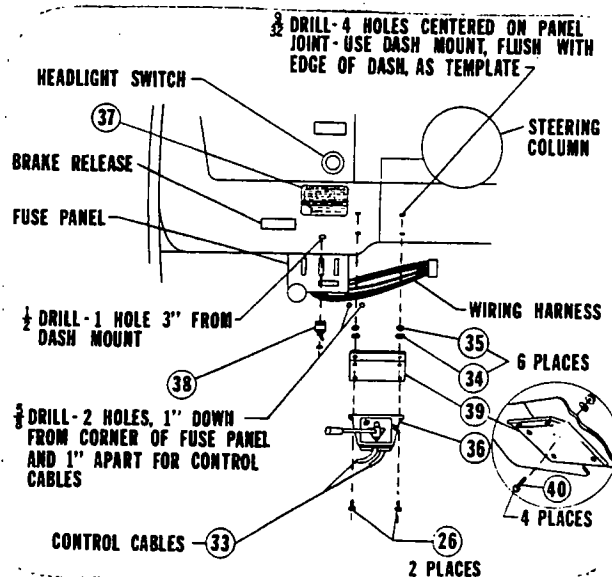
SERIES G.	CHEV & GMC 292 W/3GCS W/O ASD, W OR W/O PS	1977 - 1986	SINGLE LEVER CONTROL B.D. UNDERHOOD VALVE	HPS-4501 B
--------------	---	-------------	--	------------



**DRILLING GUIDE  
FIREWALL & GRILL**



**DRILLING GUIDE-DASH**

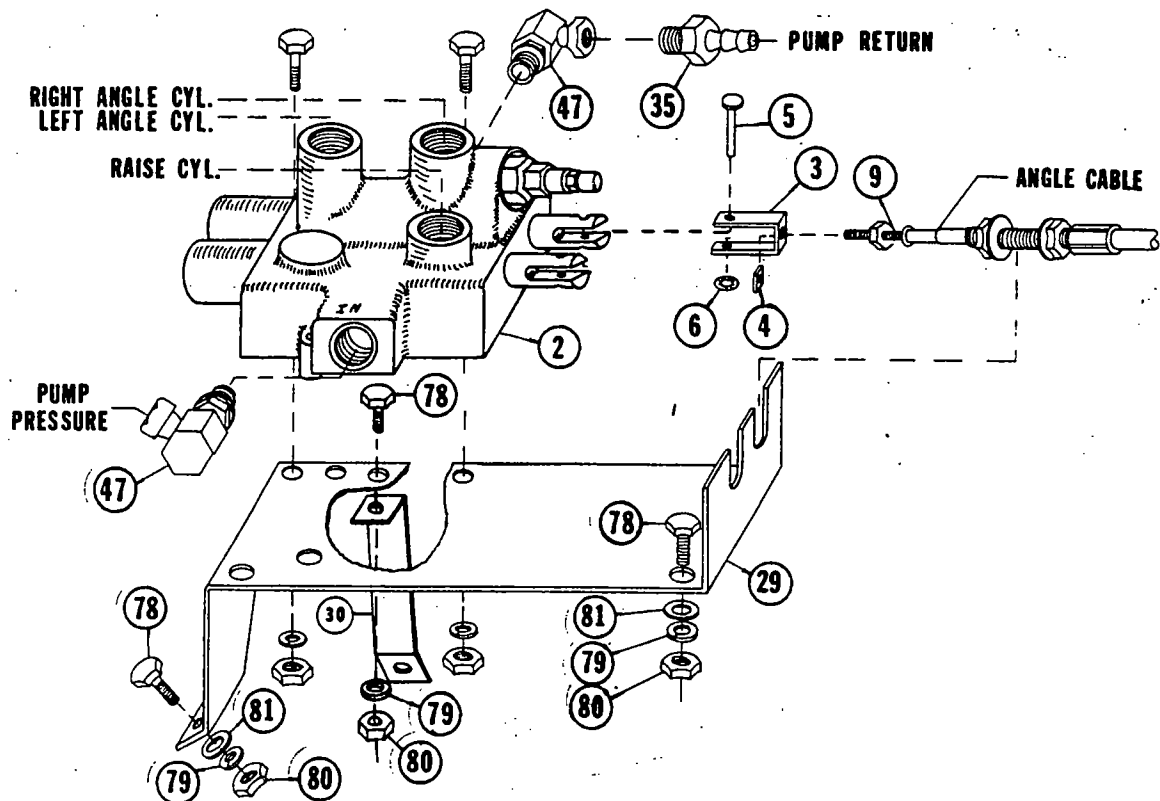
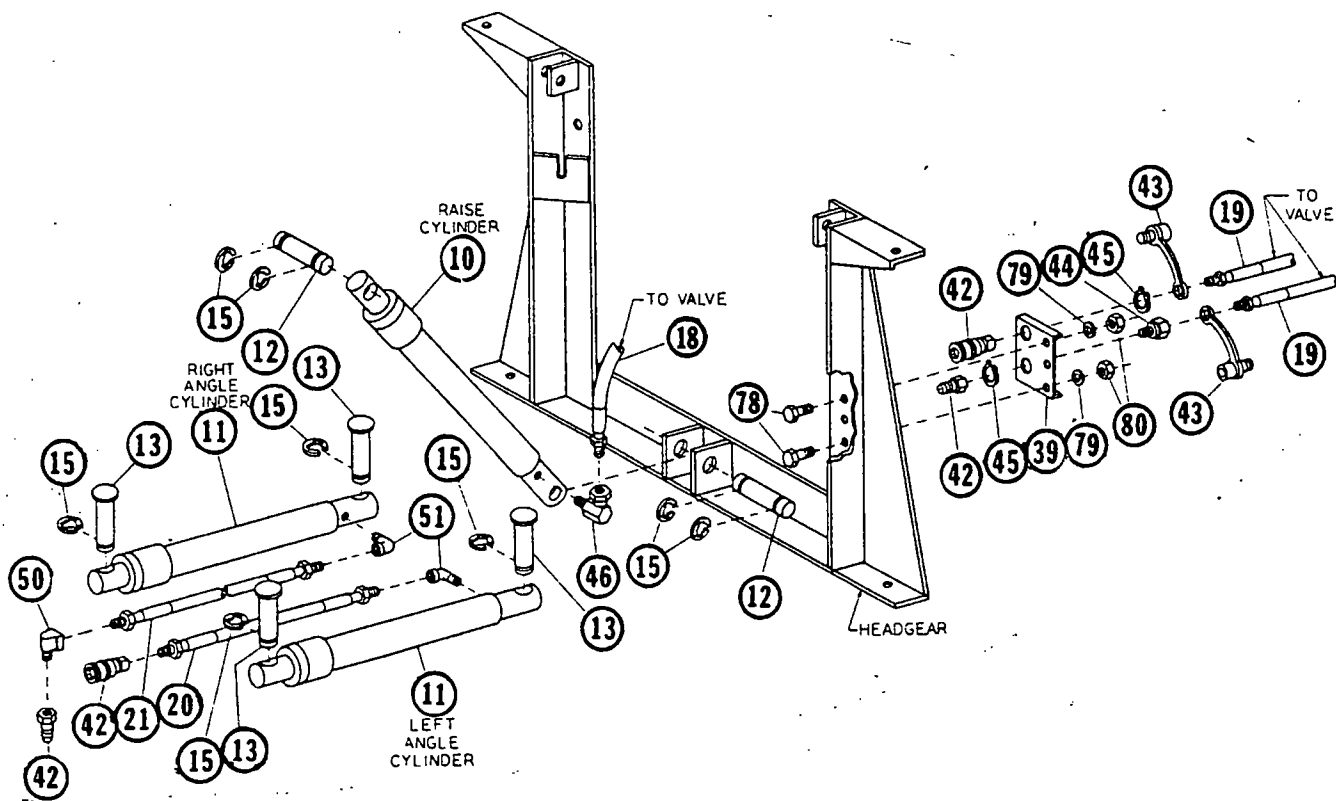


1 7/8" HOLE SAW - FROM ENGINE COMPARTMENT - REMOVE DIFFERENTIAL VENT LINE SCREW AND USE HOLE AS PILOT. RELOCATE VENT LINE.

SERIES

G

CHEVROLET SINGLE LEVER CONTROL - UNDERHOOD VALVE



1977-86 CHEV.; GMC

HYDRAULIC PARTS LIST

HPS4501B




VEHICLE EQUIP. 6-292 W/3GCS; W/O ASD

A446B

REF #	QUAN IN KIT		P/N	DESCRIPTION
	A446B	HPS4501B		
1	1		A2311	PUMP TANK ASSEMBLY
2	1		A4466	CONTROL VALVE ASSEMBLY
3	2		4483	CLEVIS
4	2		4494	10-32 SQUARE NUT
5	2		4491	CLEVIS PIN
6	2		4493	3/16 PUSH NUT
7				
8		1	4419	SINGLE LEVER CONTROL HEAD
9		2	4488	40" CONTROL CABLE, SLC
10	1		A318	10" LIFT CYLINDER ASSEMBLY
11	2		A3660	12" ANGLE CYLINDER ASSEMBLY
12	2		314	CLEVIS PIN
13	4		883	ANCHOR PIN
14				
15	8		330	RETAINING RINGS
16		1	4440	78" H.P. HOSE, 1/4P TO 9/16 O.R.
17		1	4439	78" L.P. HOSE
18		1	1665	60" H.P. HOSE, 9/16 O-RING TO 1/4P
19		2	1664	54" H.P. HOSE, 9/16 O-RING TO 1/4P
20		1	376	32" H.P. HOSE, 1/4P TO 1/4P
21		1	4424	36" H.P. HOSE, 1/4P TO 1/4P
22				
23		1	418	FAN BELT, 52"
24		1	4426	DRIVE SHEAVE
25		1	3696	PUMP SHEAVE
26		1	2070	PUMP BRACKET
27				
28				
29		1	5780	VALVE PLATE
30		1	5781	VALVE PLATE BRACE
31				
32				
33				
34				
35		1	4921	SADDLE BRACKET
36	1		2036	REAR TANK STRAP
37	1		2116	UNIVERSAL BRACE ROD
38		1	2115	BRACE TAB
39		1	4467	DISCONNECT MOUNTING PLATE
40				
41				
42	2		A1587	DISCONNECT ASSEMBLY
43	2		1588	DUST PLUG
44		1	4486	BULKHEAD ADAPTER
45		2	4485	7/8" SNAP RING
46	1		319	1/4" X 90 SWIVEL ADAPTER
47	2		2315	9/16 O.R. TO 3/8P X 90 SWL. ADPT.
48				
49				

HPS4501 PARTS PAGE, CON'T

REF #	QUAN IN KIT		P/N	DESCRIPTION
	A446B	HP84501B		
50		1	765	1/4" BRASS BAR STREET ELL
51	2		2780	1/4" BRASS BAR STREET ELL (FORGED)
52		1	3979	3/8" BRASS STREET ELL
53		1	2318	1/4" BRASS BAR ELL
54				
55	2		1658	QUILL
56				
57				
58				
59				
60				
61				
62				
63				
64				
65				
66		1	3677	FAN SPACER, 1/2
67		1	3675	FAN SPACER, 5/8
68				
69				
70				
71				
72		1		SAFETY DECAL
73	2		3042	GROMMET
74	1		4477	SPLIT HOSE GROMMET
75	3		3666	TIE WRAPS
76				
77	1		90056	5/16 X 1-1/2 (NC) GR. 5 CAPSCREW
78	4	3	90041	5/16 X 1 (NC) CAPSCREW
79	6	7	90360	5/16 LOCKWASHER
80	7	3	90332	5/16 (NC) NUT
81	4	3	90314	5/16 FLATWASHER
82				
83		4	90060	5/16 X 1-1/2 (NF) CAPSCREW GR. 5
84	1		90021	1/4 X 1-1/4 (NC) CAPSCREW
85	1		90359	1/4 LOCKWASHER
86	1		90339	1/4 (NC) NUT
87		1	90190	7/16 X 3-1/2 CAPSCREW (NF) GR. 5
88		1	90318	7/16 FLATWASHER
89		3	90483	3/8 X 2-1/4 (NF) GR. 5 CAPSCREW
90		3	90105	3/8 X 1 (NC) CAPSCREW GR. 5
91		3	90361	3/8 LOCKWASHER
92		9	90316	3/8 FLATWASHER
93		3	4268	SPACER WASHER
94		4	90083	5/16 X 3 (NF) GR. 5 CAPSCREW

DIAMETER- THREADS PER INCH	GRADE DESIGNATION		
			
	GRADE 2	GRADE 5	GRADE 8
1/4 - 20	6	9	13
5/16 - 18	11	18	28
3/8 - 16	19	31	46
7/16 - 14	30	50	75
1/2 - 13	45	75	115
9/16 - 12	66	110	165
5/8 - 11	93	150	225
3/4 - 10	150	250	370
7/8 - 9	150	378	591
1 - 8	220	583	893