

CHEV. & GMC 6-250 & 292 W OR

SERIES  
G

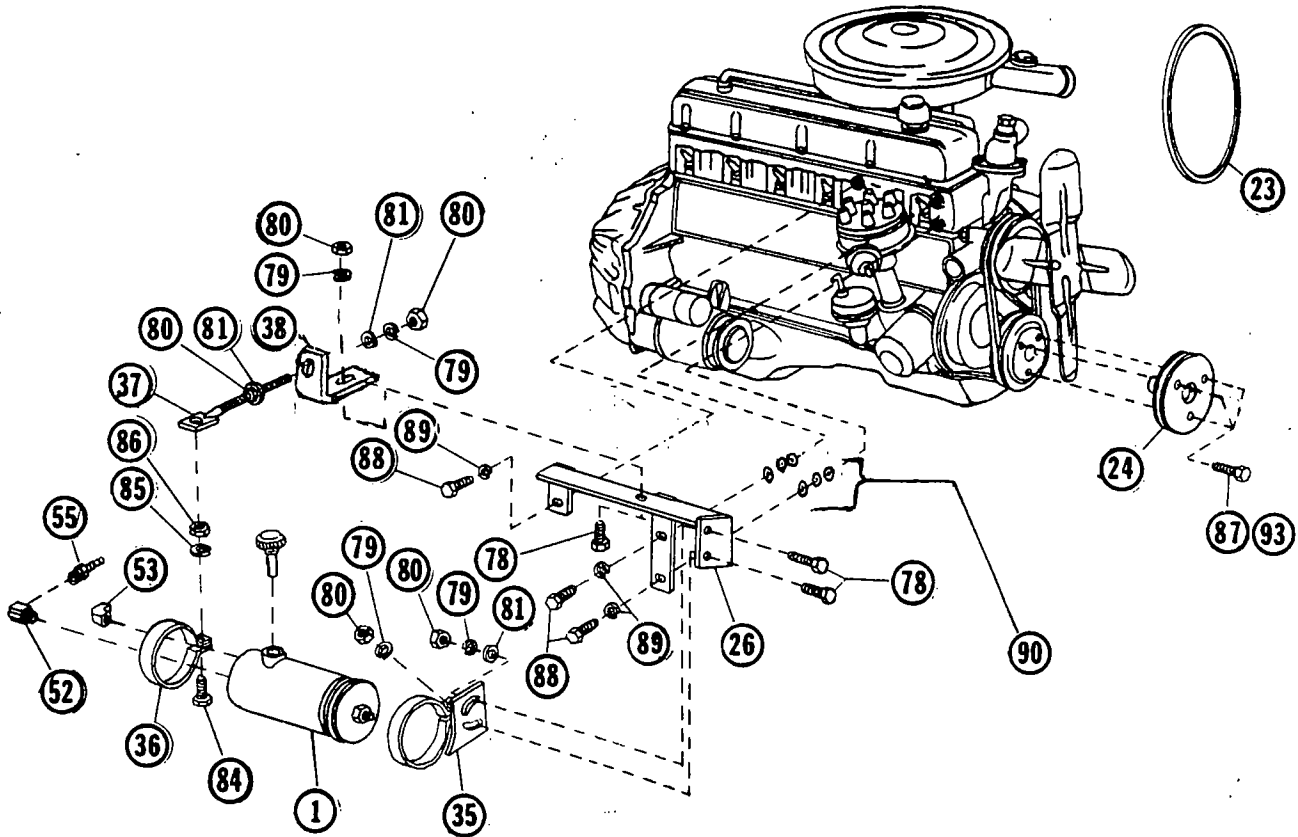
W/O P.S., W/O ASD, W/3GCS  
CHEV. & GMC 6-250 W/2GCS,

1975-1976  
1977-1984

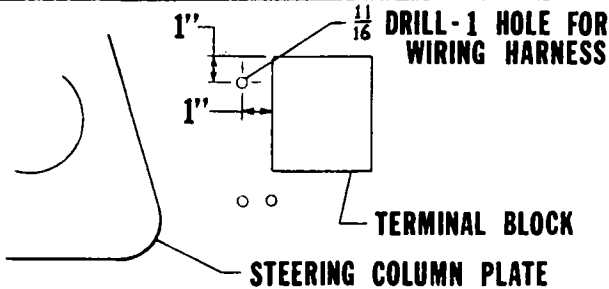
SINGLE LEVER CONTROL  
B.D. UNDERHOOD VALVE

HPS4502B

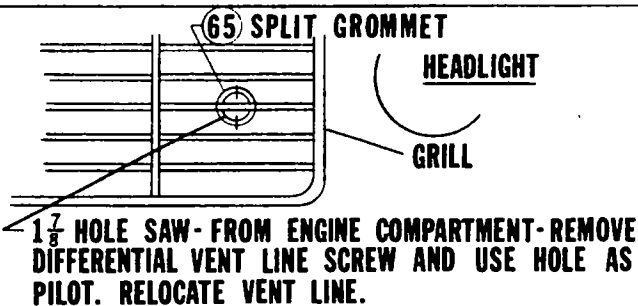
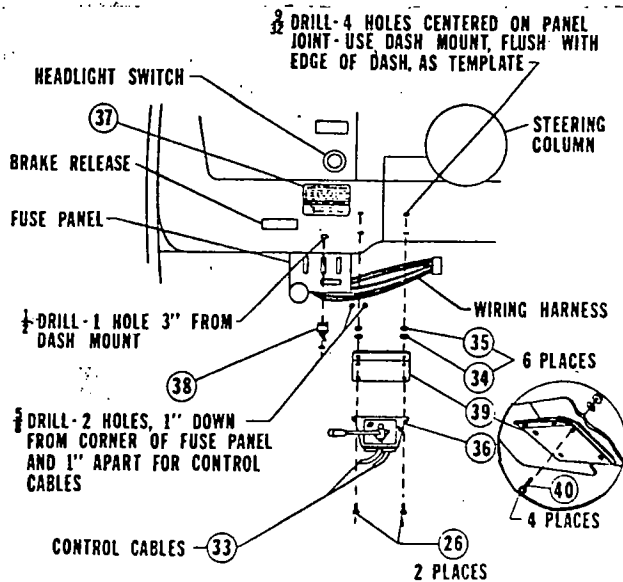
W/-W.O PS; W/O AC



**DRILLING GUIDE  
FIREWALL & GRILL**

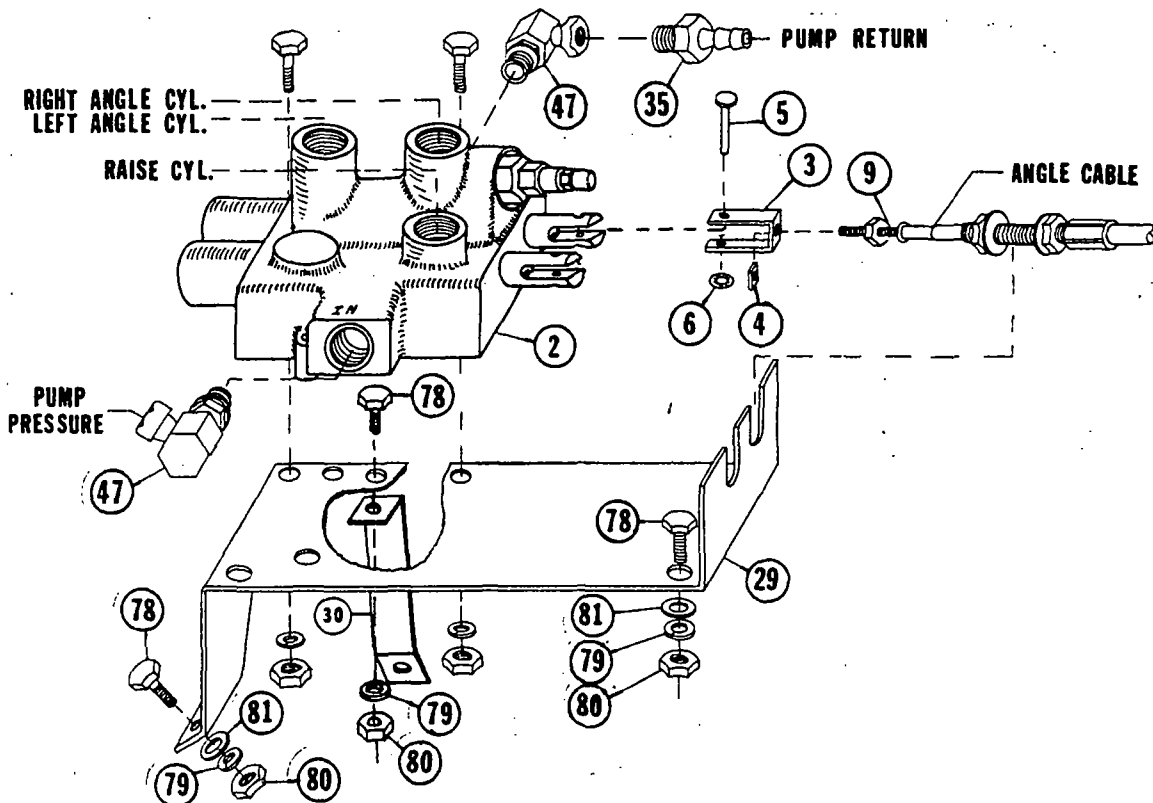
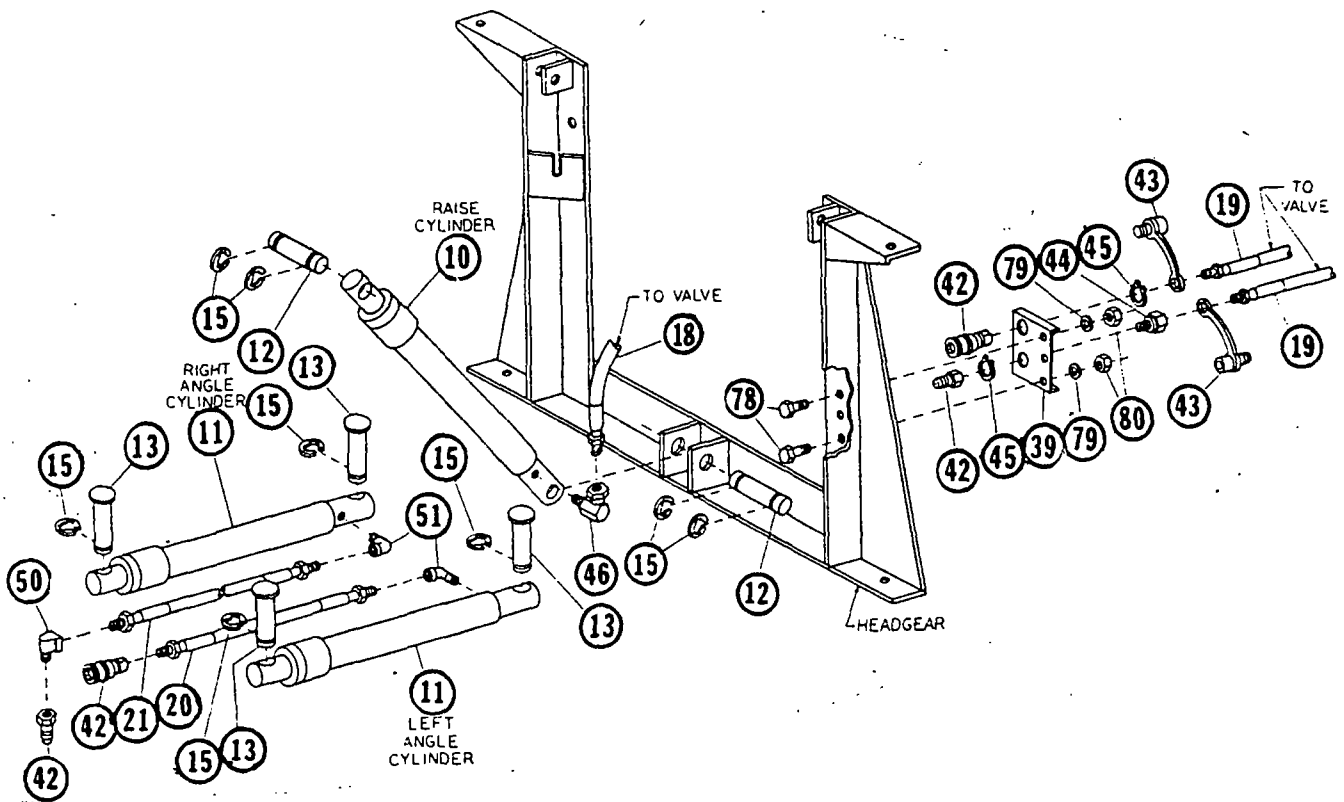


**DRILLING GUIDE-DASH**



SERIES  
G

CHEVROLET SINGLE LEVER CONTROL - UNDERHOOD VALVE.



1975-76 CHEV.; GMC 6-250,292 W/3BCS  
 1977-84 CHEV.; GMC 6-250 W/2BCS  
 VEHICLE EQUIP.

HYDRAULIC PARTS LIST  
 HPS4502B  
 A4468

| REF # | QUAN IN KIT |          | P/N   | DESCRIPTION                        |
|-------|-------------|----------|-------|------------------------------------|
|       | A4468       | HPS4502B |       |                                    |
| 1     | 1           |          | A2311 | PUMP TANK ASSEMBLY                 |
| 2     | 1           |          | A4466 | CONTROL VALVE ASSEMBLY             |
| 3     | 2           |          | 4483  | CLEVIS                             |
| 4     | 2           |          | 4494  | 10-32 SQUARE NUT                   |
| 5     | 2           |          | 4491  | CLEVIS PIN                         |
| 6     | 2           |          | 4493  | 3/16 PUSH NUT                      |
| 7     |             |          |       |                                    |
| 8     |             | 1        | 4419  | SINGLE LEVER CONTROL HEAD          |
| 9     |             | 2        | 4488  | 40" CONTROL CABLE, SLC             |
| 10    | 1           |          | A318  | 10" LIFT CYLINDER ASSEMBLY         |
| 11    | 2           |          | A3660 | 12" ANGLE CYLINDER ASSEMBLY        |
| 12    | 2           |          | 314   | CLEVIS PIN                         |
| 13    | 4           |          | 883   | ANCHOR PIN                         |
| 14    |             |          |       |                                    |
| 15    | 8           |          | 330   | RETAINING RINGS                    |
| 16    |             | 1        | 4440  | 78" H.P. HOSE, 1/4P TO 9/16 O.R.   |
| 17    |             | 1        | 4439  | 78" L.P. HOSE                      |
| 18    |             | 1        | 1665  | 60" H.P. HOSE, 9/16 O-RING TO 1/4P |
| 19    |             | 2        | 1664  | 54" H.P. HOSE, 9/16 O-RING TO 1/4P |
| 20    |             | 1        | 376   | 32" H.P. HOSE, 1/4P TO 1/4P        |
| 21    |             | 1        | 4424  | 36" H.P. HOSE, 1/4P TO 1/4P        |
| 22    |             |          |       |                                    |
| 23    |             | 1        | 418   | FAN BELT, 52"                      |
| 24    |             | 1        | 3795  | DRIVE SHEAVE                       |
| 25    |             | 1        | 3696  | PUMP SHEAVE                        |
| 26    |             | 1        | 2070  | PUMP BRACKET                       |
| 27    |             |          |       |                                    |
| 28    |             |          |       |                                    |
| 29    |             | 1        | 5780  | VALVE PLATE                        |
| 30    |             | 1        | 5781  | VALVE PLATE BRACE                  |
| 31    |             |          |       |                                    |
| 32    |             |          |       |                                    |
| 33    |             |          |       |                                    |
| 34    |             |          |       |                                    |
| 35    |             | 1        | 4921  | SADDLE BRACKET                     |
| 36    | 1           |          | 2036  | REAR TANK STRAP                    |
| 37    | 1           |          | 2116  | UNIVERSAL BRACE ROD                |
| 38    |             | 1        | 2115  | UNIVERSAL BRACE TAB                |
| 39    |             | 1        | 4467  | DISCONNECT MOUNTING PLATE          |
| 40    |             |          |       |                                    |
| 41    |             |          |       |                                    |
| 42    | 2           |          | A1587 | DISCONNECT ASSEMBLY                |
| 43    | 2           |          | 1588  | DUST PLUG                          |
| 44    |             | 1        | 4486  | BULKHEAD ADAPTER                   |
| 45    |             | 2        | 4485  | 7/8" SNAP RING                     |
| 46    | 1           |          | 319   | 1/4" X 90 SWIVEL ADAPTER           |
| 47    | 2           |          | 2315  | 9/16 O.R. TO 3/8P X 90 SWL.ADPT.   |
| 48    |             |          |       |                                    |
| 49    |             |          |       |                                    |

## PARTS LIST, HPS4502B CON'T

| REF # | QUAN  | IN KIT   | P/N   | DESCRIPTION                        |
|-------|-------|----------|-------|------------------------------------|
|       | A4468 | HPS4502B |       |                                    |
| 50    |       | 1        | 765   | 1/4" BRASS BAR STREET ELL          |
| 51    | 2     |          | 2780  | 1/4" BRASS BAR STREET ELL (FORGED) |
| 52    |       | 1        | 3979  | 3/8" BRASS STREET ELL              |
| 53    |       | 1        | 2318  | 1/4" BRASS BAR ELL                 |
| 54    |       |          |       |                                    |
| 55    | 2     |          | 1658  | QUILL                              |
| 56    |       |          |       |                                    |
| 57    |       |          |       |                                    |
| 58    |       |          |       |                                    |
| 59    |       |          |       |                                    |
| 60    |       |          |       |                                    |
| 61    |       |          |       |                                    |
| 62    |       |          |       |                                    |
| 63    |       |          |       |                                    |
| 64    |       |          |       |                                    |
| 65    |       |          |       |                                    |
| 66    |       |          |       |                                    |
| 67    |       |          |       |                                    |
| 68    |       |          |       |                                    |
| 69    |       |          |       |                                    |
| 70    |       |          |       |                                    |
| 71    |       |          |       |                                    |
| 72    |       | 1        |       | SAFETY DECAL                       |
| 73    | 2     |          | 3042  | GROMMET                            |
| 74    | 1     |          | 4477  | SPLIT HOSE GROMMET                 |
| 75    | 3     |          | 3666  | TIE WRAPS                          |
| 76    |       |          |       |                                    |
| 77    | 1     |          | 90056 | 5/16 X 1-1/2 (NC) GR. 5 CAPSCREW   |
| 78    | 4     | 4        | 90041 | 5/16 X 1 (NC) CAPSCREW             |
| 79    | 6     | 4        | 90360 | 5/16 LOCKWASHER                    |
| 80    | 7     | 4        | 90332 | 5/16 (NC) NUT                      |
| 81    | 4     | 3        | 90313 | 5/16 FLATWASHERS                   |
| 82    |       |          |       |                                    |
| 83    |       |          |       |                                    |
| 84    | 1     |          | 90021 | 1/4 X 1-1/4 (NC) CAPSCREW          |
| 85    | 1     |          | 90359 | 1/4 LOCKWASHER                     |
| 86    | 1     |          | 90339 | 1/4 (NC) NUT                       |
| 87    |       | 3        | 90130 | 3/8 X 2 CAPSCREW (NF) GR. 5        |
| 88    |       | 3        | 90105 | 3/8 X 1 CAPSCREW (NC) GRADE 5      |
| 89    |       | 3        | 90361 | 3/8 LOCKWASHERS                    |
| 90    |       | 6        | 90316 | 3/8 FLATWASHERS                    |
| 91    |       |          |       |                                    |
| 92    |       |          |       |                                    |
| 93    |       | 3        | 4268  | SPACER WASHER                      |
| 94    |       |          |       |                                    |