

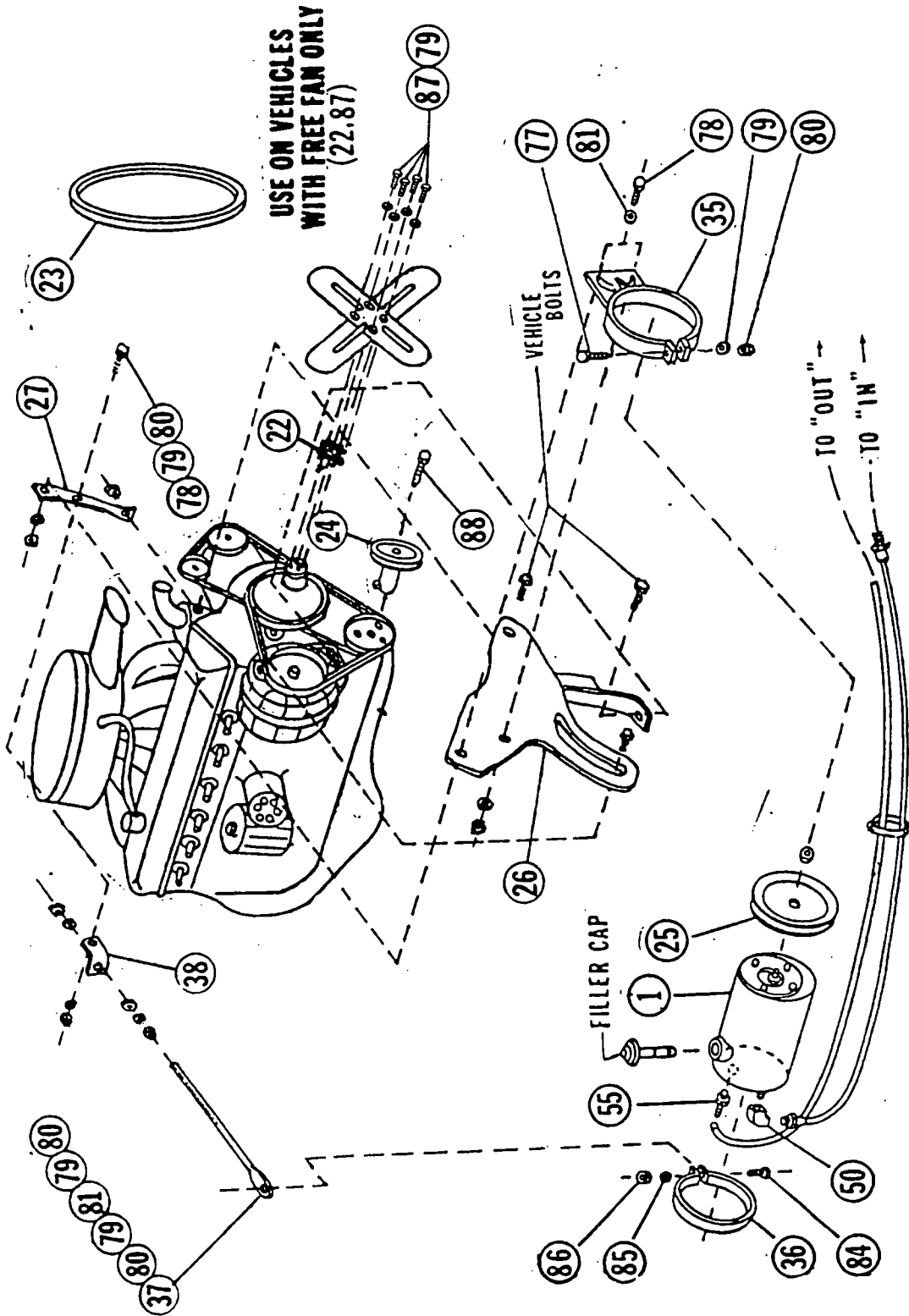
SERIES  
G

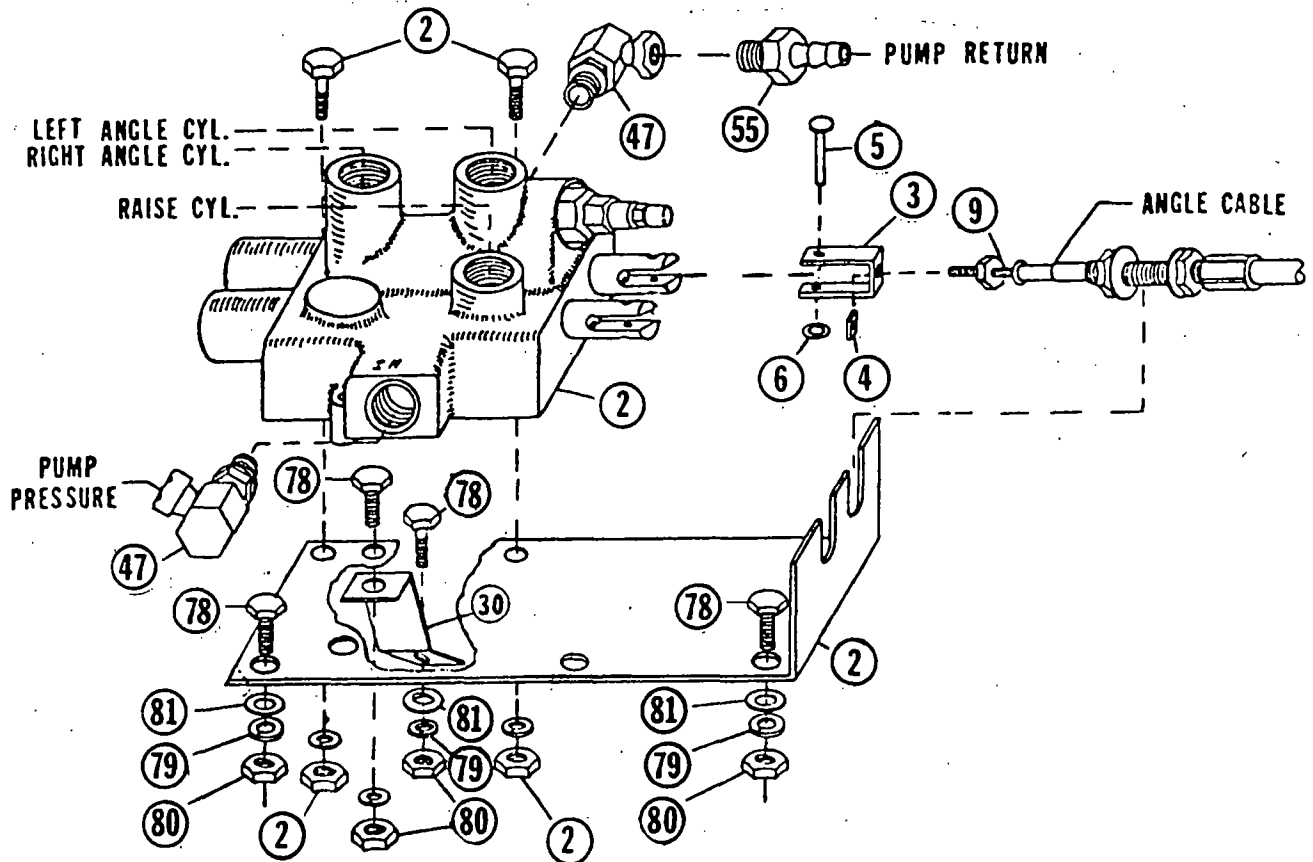
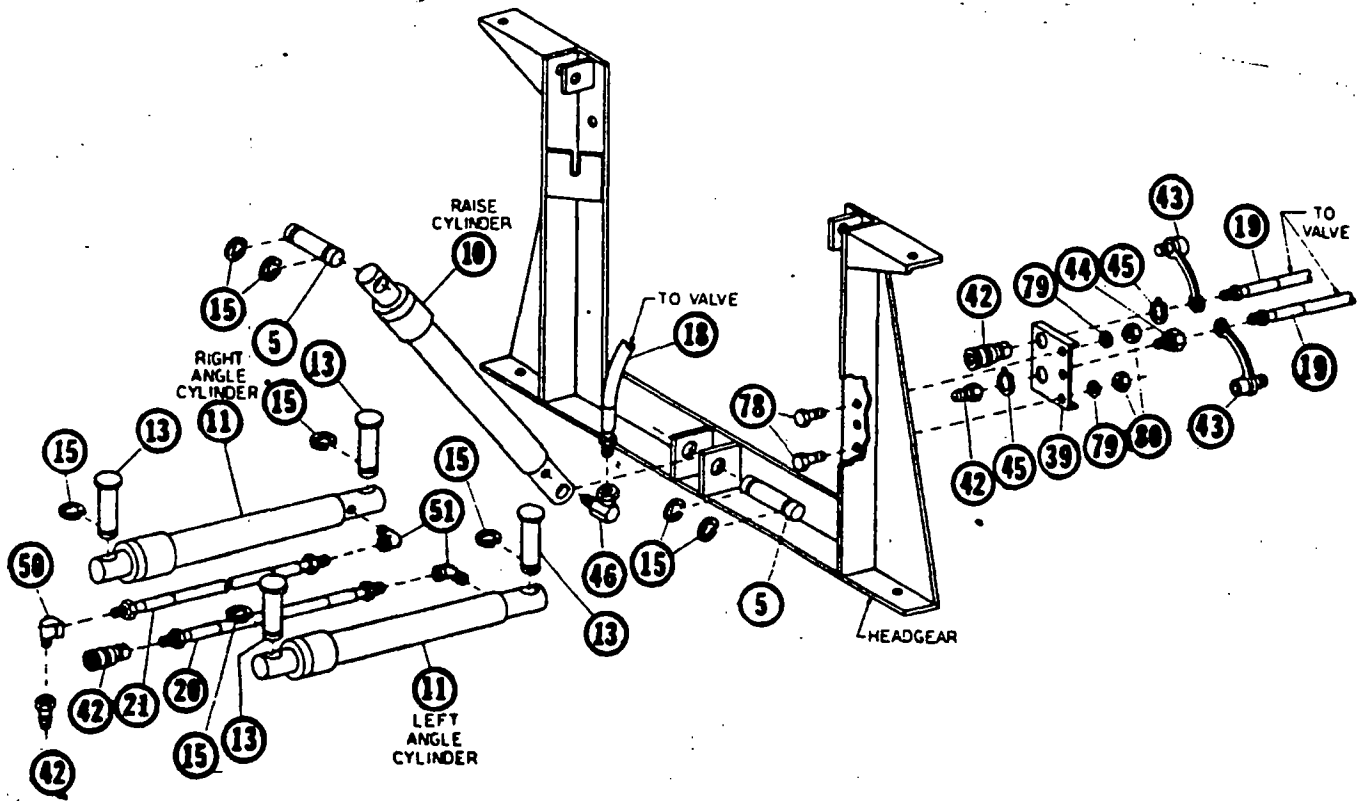
DODGE 6-225, W/PS, PB, 41a ALT,  
W/SMOG PUMP & IDLER, 3 GCS

1981-1987

PECULIAR HYDRAULICS, SLC  
B.D. UNDERHOOD VALVE

HPS4529C





1981-87 DODGE

HYDRAULIC PARTS LIST

VEHICLE EQUIP. 6-225 W/41A ALT. SMOG &amp; IDLER




HPS4529C

A4468

REF #	QUAN IN KIT		P/N	DESCRIPTION
	A4468	HPS4529C		
1	1		A2311	PUMP TANK ASSEMBLY
2	1		A4466	CONTROL VALVE ASSEMBLY
3	2		4483	CLEVIS
4	2		4494	10-32 SQUARE NUT
5	2		4491	CLEVIS PIN
6	2		4491	3/16 PUSH NUT
7				
8		1	4419	SINGLE LEVER CONTROL HEAD
9		2	4949	30" CONTROL CABLE, SLC
10	1		A318	10" LIFT CYLINDER ASSEMBLY
11	2		A3660	12" ANGLE CYLINDER ASSEMBLY
12	2		314	CLEVIS PIN
13	4		883	ANCHOR PIN
14				
15	8		330	RETAINING RINGS
16		1	2503	54" H.P. HOSE, 1/4P TO 3/8P
17		1	1663	54" L.P. HOSE
18		1	1665	60" H.P. HOSE, 9/16 O-RING TO 1/4P
19		2	1664	54" H.P. HOSE, 9/16 O-RING TO 1/4P
20		1	376	32" H.P. HOSE, 1/4P TO 1/4P
21		1	4424	36" H.P. HOSE, 1/4P TO 1/4P
22		1	4111	FAN SPACER, 3/8"
23		1	1949	FAN BELT 4L 610
24		1	5404	DRIVE SHEAVE
25		1	3696	PUMP SHEAVE
26		1	5399	PUMP BRACKET
27		1	5401	PUMP BRACKET BRACE
28				
29		1	5329	VALVE PLATE
30		1	4476	VALVE PLATE BRACE
31				
32				
33				
34				
35		1	4921	SADDLE BRACKET
36	1		2036	REAR TANK STRAP
37	1		2116	UNIVERSAL BRACE ROD
38		1	2115	UNIVERSAL BRACE TAB
39		1	4467	DISCONNECT MOUNTING PLATE
40				
41				
42	2		A1587	DISCONNECT ASSEMBLY
43	2		1588	DUST PLUG
44		1	4486	BULKHEAD ADAPTER
45		2	4485	7/8" SNAP RING
46	1		319	1/4" X 90 SWIVEL ADAPTER
47	2		2315	9/16 O.R. TO 3/8P X 90 SWL.ADPT.
48				
49				

PARTS LIST, HPS4529C CON'T

REF.	QUAN	IN KIT	P/N	DESCRIPTION #
	A4468	HPS4529C		
50		2	765	1/4" BRASS BAR STREET ELL
51	2		2780	1/4" BRASS BAR STREET ELL (FORGED)
52		1	2318	1/4" BRASS BAR ELBOW
53				
54				
55	2		1658	QUILL
56				
57				
58				
59				
60				
61				
62				
63				
64				
65				
66				
67				
68				
69				
70				
71				
72	1			SAFETY DECAL
73	2		3042	GROMMET
74	1		4477	SPLIT HOSE GROMMET
75	3		3666	TIE WRAPS
76				
77	1		90056	5/16 X 1-1/2 (NC) GR. 5 CAPSCREW
78	4	5	90041	5/16 X 1 (NC) CAPSCREW
79	6	9	90360	5/16 LOCKWASHER
80	7	5	90332	5/16 (NC) NUT
81	4	4	90313	5/16 FLATWASHER
84	1		90021	1/4 X 1-1/4 (NC) CAPSCREW
85	1		90359	1/4 LOCKWASHER
86	1		90339	1/4 (NC) NUT
87		4	90048	5/16 X 1-1/4 (NC) GR. 5 CAPSCREW
88		1	90473	3/4 X 3-1/4 (NF) GR. 5 CAPSCREW
89				
90				
91				
92				
93				
94				

FASTENER TORQUE (FT-LB)			
DIAMETER- THREADS PER INCH	GRADE DESIGNATION		
	 GRADE 2	 GRADE 5	 GRADE 8
1/4 - 20	6	9	13
5/16 - 18	11	18	28
3/8 - 16	19	31	46
7/16 - 14	30	50	75
1/2 - 13	45	75	115
9/16 - 12	66	110	165
5/8 - 11	93	150	225
3/4 - 10	150	250	370
7/8 - 9	150	378	591
1 - 8	220	583	893