

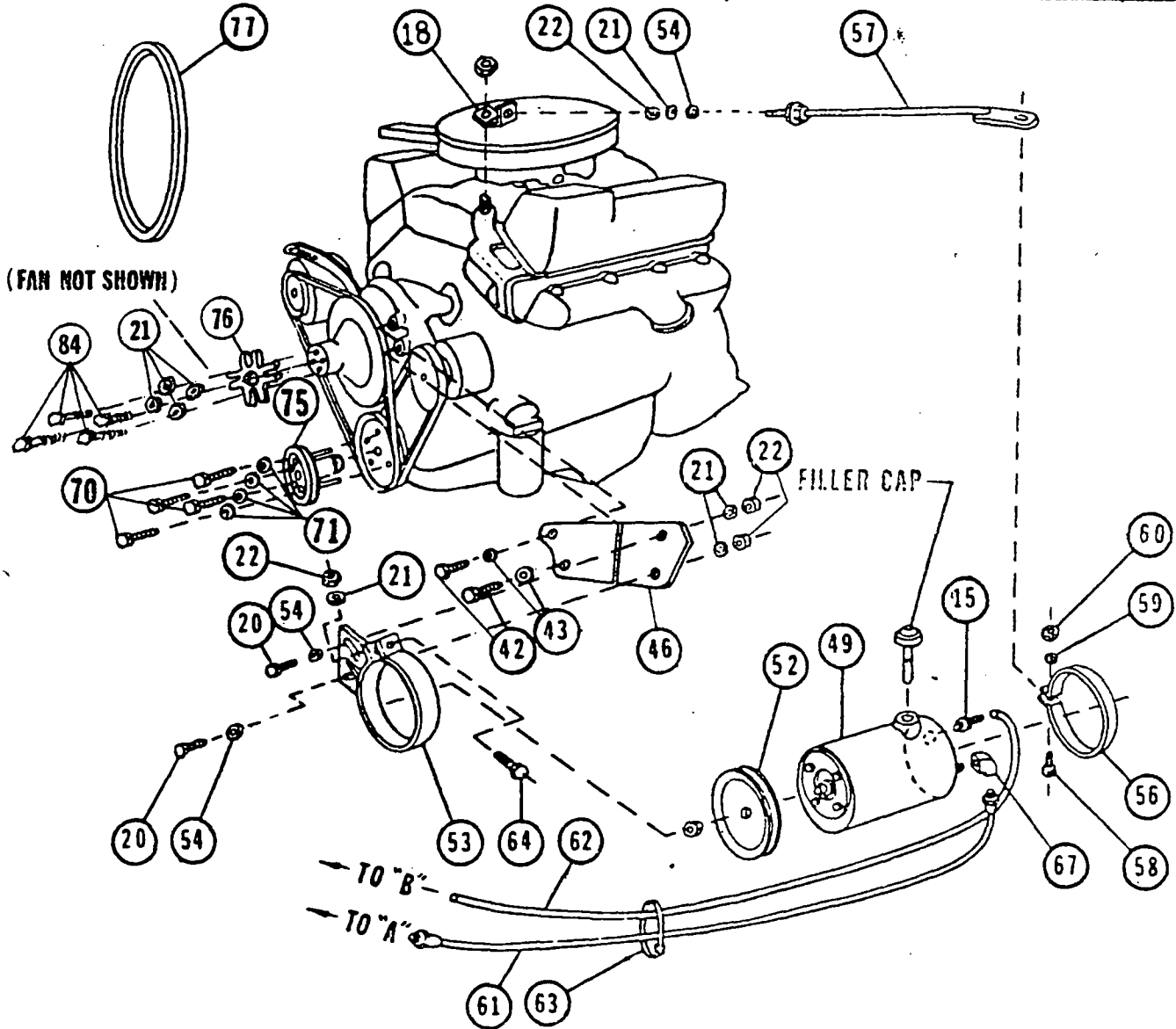
SERIES
G

FORD V8-351 (5.8L)
W or W/O PS

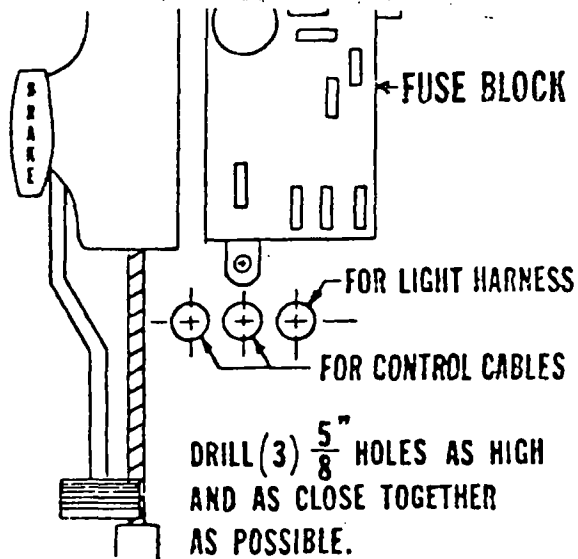
1983-1985

PECULIAR HYDRAULICS, SLC.
B.D. UNDERHOOD VALVE

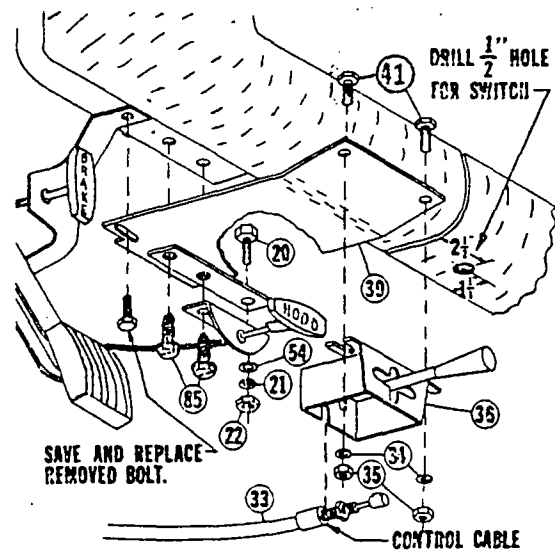
HPS4565

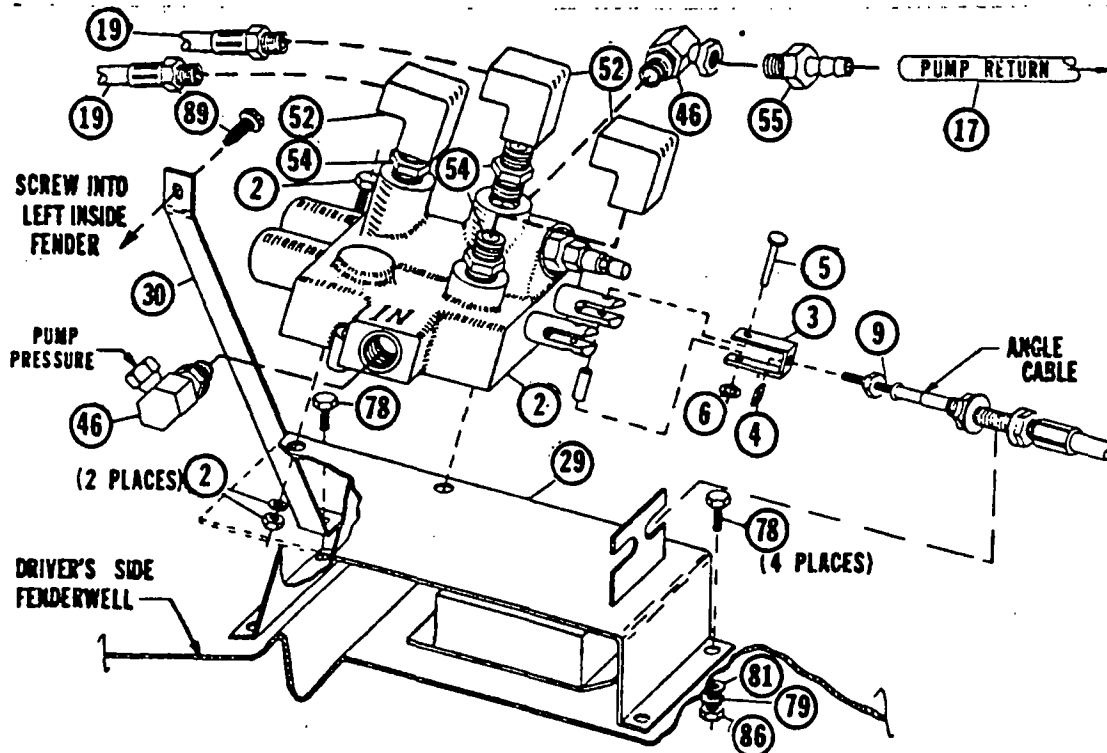
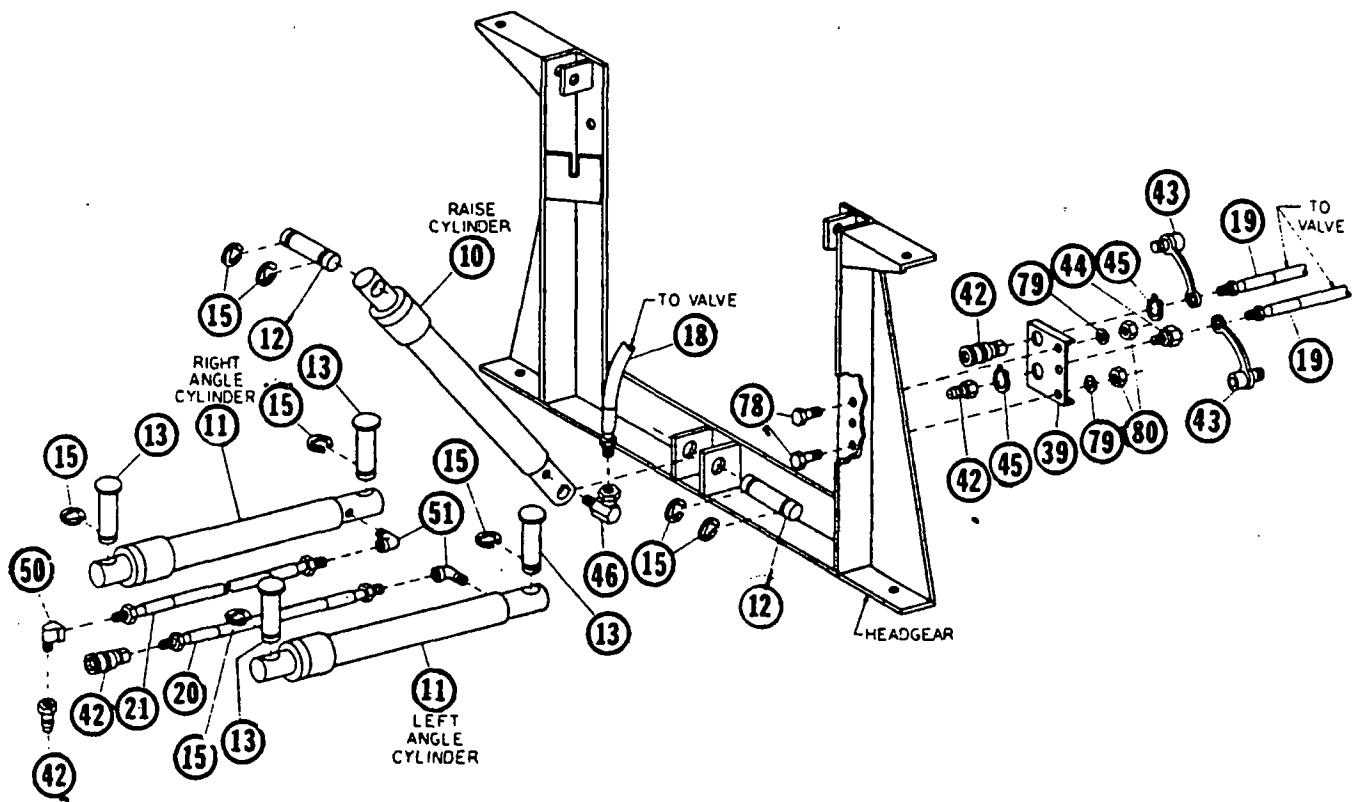


FIREWALL DRILLING GUIDE



DASH INSTALLATION ILLUSTRATION





SERIES G	V8351 5.8L W-W/O DUAL SMOG PUMP V8-302 W/FUEL INJECTED ENGINE		1983-1985 1985	PECULIAR HYDRAULICS, B.D. SLC, UNDERHOOD VALVE	HPS4565 A4468
	REF. NO.	QUANTITY REQUIRED IN		PART NO.	DESCRIPTION
	A4468	HPS4565			
1	1			A318	CYLINDER ASSEMBLY (10")
2	1			319	SWIVEL ADAPTER
3	2			314	CLEVIS PIN
4	8			330	RETAINING RING
5		1		376	32" H.P. HOSE, 1/4 P to 1/4 P (H TO C)
6	2			A1587	DISCONNECT ASSEMBLY
7		1		4424	36" H.P. HOSE, 1/4 P to 1/4 P (H TO C)
8		1		765	1/4 BRASS BAR STREET ELL
9	2			A3660	CYLINDER ASSEMBLY (12")
10	2			2780	BRASS ELL (FORGED)
11	4			883	ANCHOR PIN
12		1		4467	DISCONNECT MOUNTING PLATE
13	1			A4466	CONTROL VALVE ASSEMBLY
14	*			2351	90° DWIVEL ADAPTER (SHORT)
15	2			1658	QUILL
16		1		5192	60" H.P. HOSE, 1/4 P TO 1/4 P (V TO C)
17	2			1588	DUST PLUG
18				2115	UNIVERSAL BRACE TAB
19		1		5178	VALVE PLATE
20	4	4			5/16 x 1 CAPSCREW (NC)
21	6	8			5/16 LOCKWASHER
22	7	4			5/16 NUT (NC)
23	2			4483	CLEVIS
24	2			4494	10-32 SQUARE NUT
25	2			4491	CLEVIS PIN, 1"
26					
27	2			4493	PUSH NUT (3/16)
28					
29	2			4908	BUSHING
30	2			3042	GROMMET
31		2		4485	7/8" SNAP RING
32		1		4486	BULKHEAD ADAPTER
33		2		4949	30" CONTROL CABLE , SLC
34		3			1/4 LOCKWASHER
35		3			1/4 NUT (NC)
36		1		4419	SINGLE LEVER CONTROL HEAD
37	1				SAFETY DECAL
38		1		5180	VALVE PLATE BRACE
39					
40					
41					
42		2			3/8 x 3/4 CAPSCREW (NC) GRADE 5 PLATED
43		2			3/8" LOCKWASHER
44					
45					
46		1		5785	PUMP BRACKET
47					
48					
49	1			A2311	PUMP TANK ASSEMBLY
50					
51		2		5193	54" H.P. HOSE, 1/4 P to 1/4 P (V TO H)
52		1		3696	PUMP SHEAVE

uc

SERIES G	V8351 5.8L W-W/O DUAL SMOG PUMP V8-302 W/FUEL INJECTED ENGINE		1983-1985 1985	PECULIAR HYDRAULICS, B.D. SLC, UNDERHOOD VALVE	HPS4565 A4468
	REF. NO.	QUANTITY REQUIRED IN A4468 HPS4565		PART NO.	DESCRIPTION
53		1	4921	SADDLE BRACKET, UNIVERSAL	
54	4	4		5/16" FLATWASHER	
55					
56	1		2036	STRAP	
57	1		2116	ROD	
58	1			1/4 x 1 CAPSCREW (NC)	
59	1			1/4 LOCKWASHER	
60	1			1/4 NUT (NC)	
61		1	5652	28" H.P. HOSE, 1/4 P to 3/8 P (P TO V)	
62		1	5653	28" L.H. HOSE (P TO V)	
63	3		3666	TIE WRAP	
64	1			5/16 x 1-1/2 CAPSCREW (NC), GRADE 5	
65	1		4477	3/8" SPLIT HOSE GROMMET	
66					
67		4	2318	1/4" BRASS BAR ELL	
68					
69					
70		4		3/8 x 4-1/4 (NC) CAPSCREW - GRADE 5	
71		4	4268	SPACER WASHER	
72					
73					
74					
75		1	5786	DRIVE SHEAVE	
76		1	5026	FAN SPACER	
77		1	419	53" V-BELT	
78					
79					
80					
81					
82		3		1/4 " FLATWASHERS	
83		3		1/4 x 3/4 (NC) CAPSCREW	
84		4		5/16 x 1-1/4 (NF) GR. 5 CAPSCREW	
85		1	4487	5/16 x 1 HEX HEAD, SELF TAPPING SCREW	
86		3	3058	1/4 P to 9/16 O-RING STRAIGHT ADPT. MALE, BOTH ENDS	