



Fisher Engineering

27775, 28069, 57000

50 Gordon Drive, Rockland, Maine 04841-2139 • www.fisherplows.com

December 15, 2021
Lit. No. 49592, Rev. 09

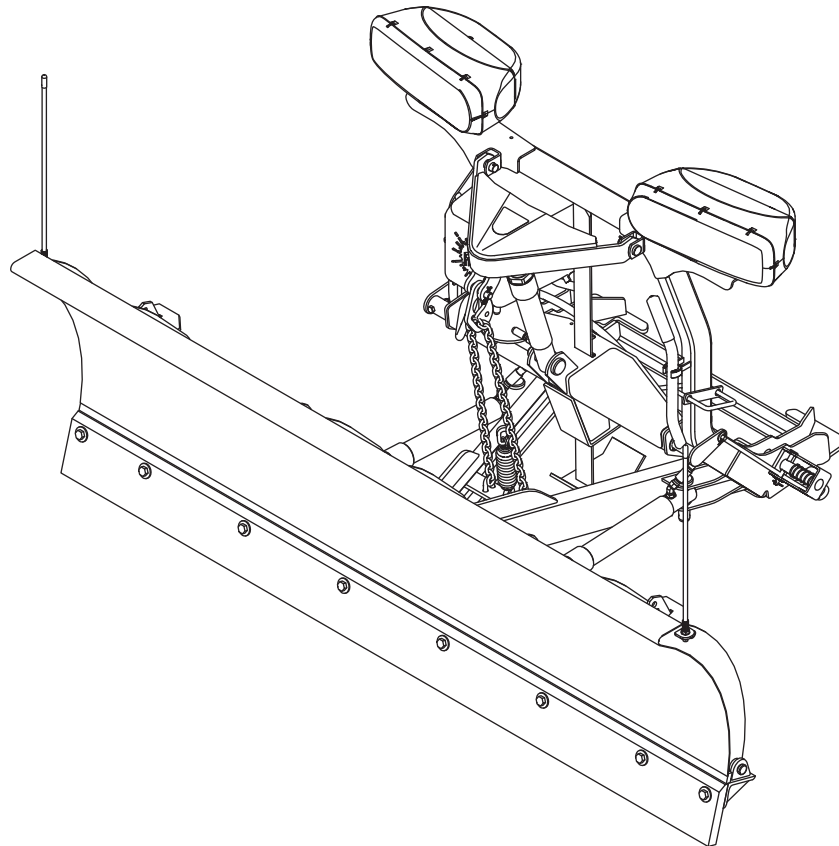
Minute²
SYSTEM

FISHER
GENUINE
FACTORY-TOUGH
PARTS AND ACCESSORIES

Blade and Off-Truck Kit

SD Series Snowplow

Parts List



SD SERIES BLADE ASSEMBLY 4

SD SERIES OFF-TRUCK KIT 5

 A-Frame 5

 Headgear 6

 Hydraulic Unit..... 8

 Lift Ram and Angle Ram Components 10

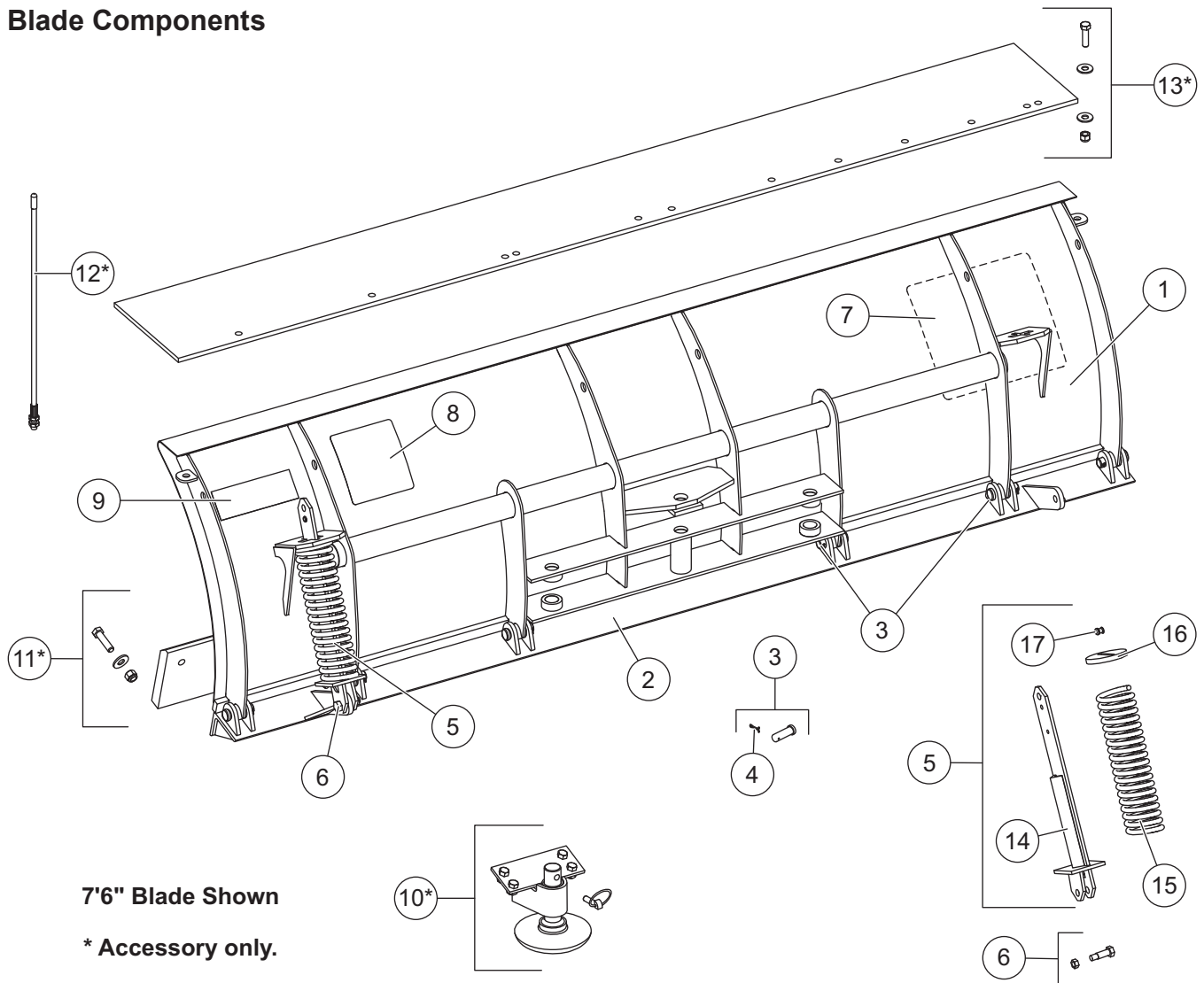
 Hoses and Fittings 10

 Electrical Components 11

 Vehicle-Side Wiring Diagram – 3-Port, 2-Plug Systems 12

 Headlamp Kit 13

Blade Components

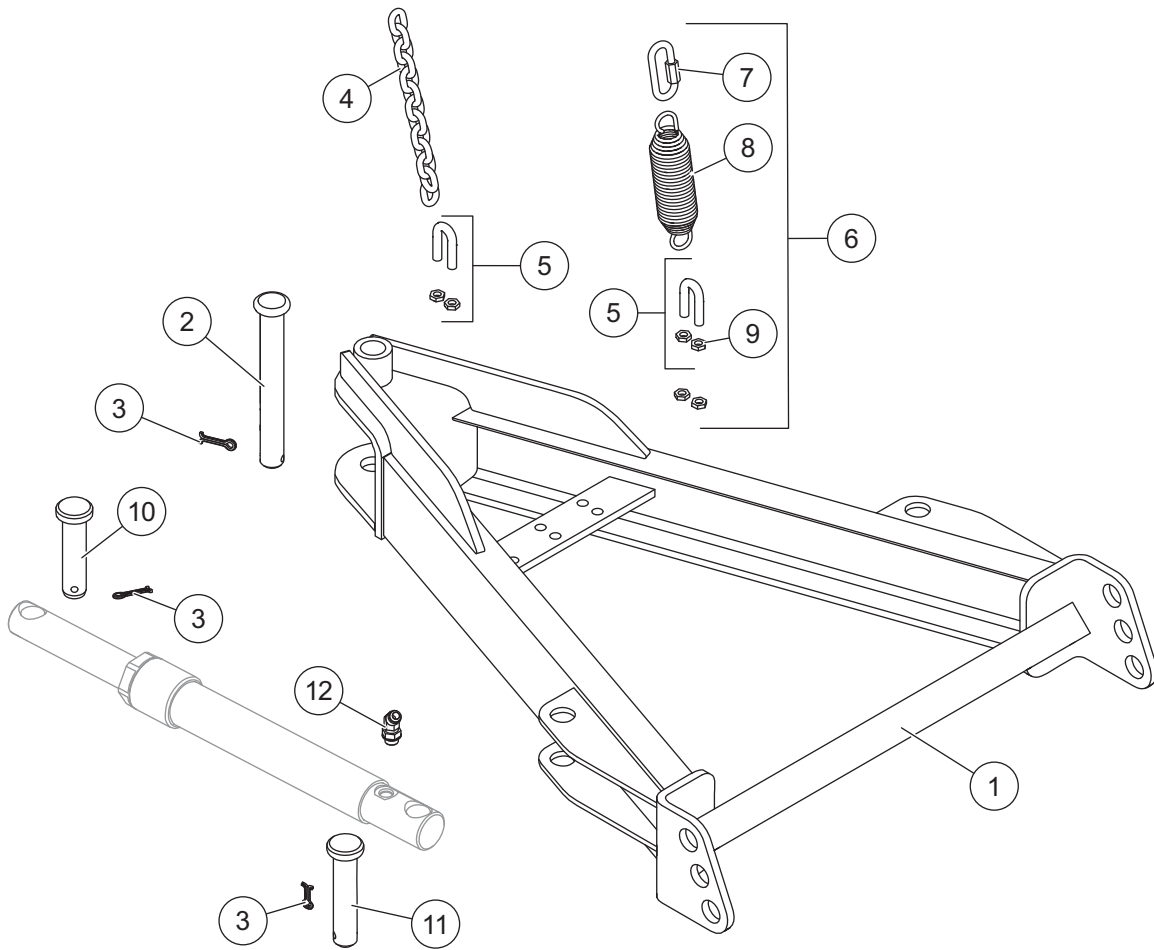


7'6" Blade Shown

* Accessory only.

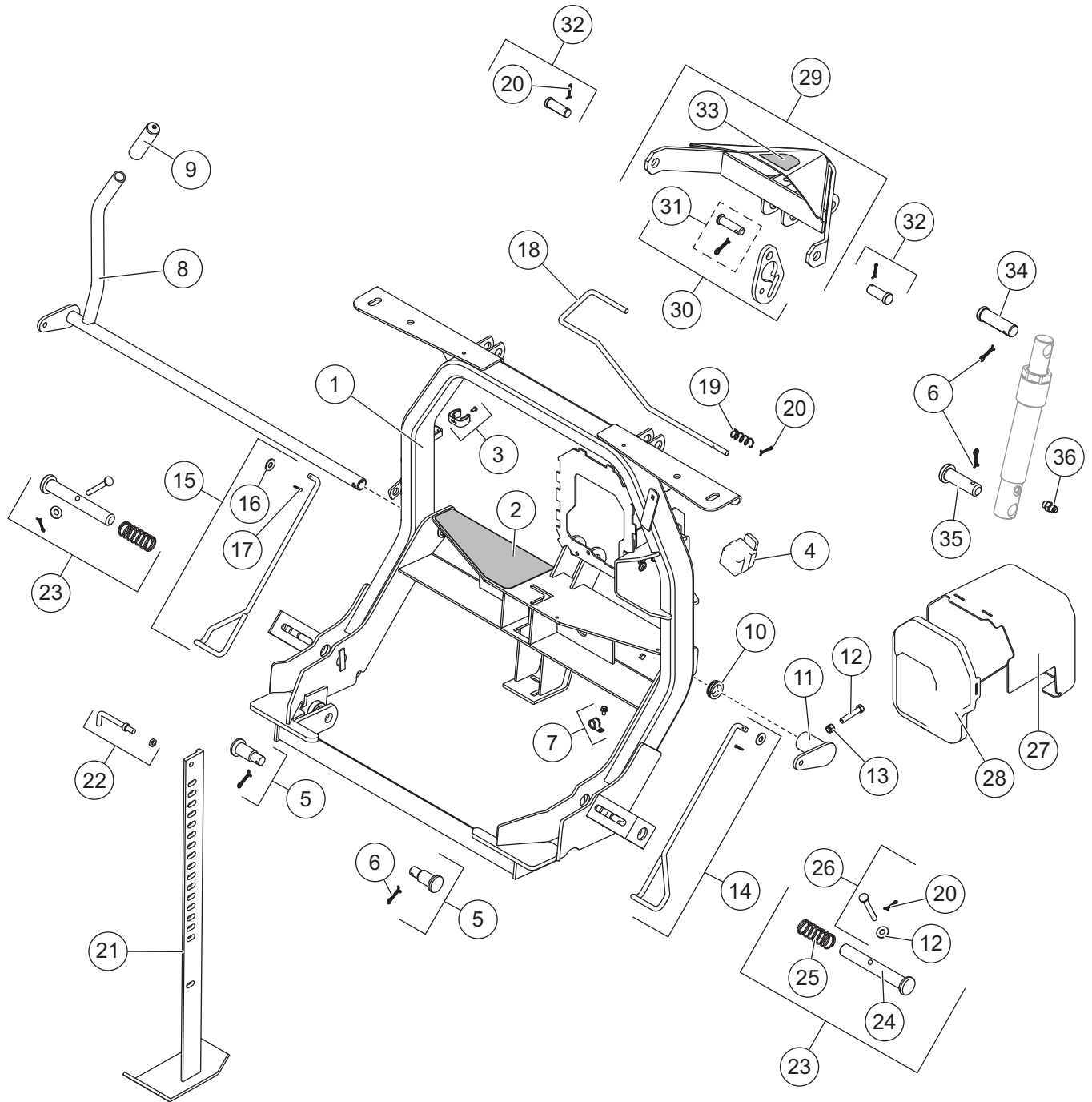
Blade Components								
Item	Part	Qty	Description	Item	Part	Qty	Description	
1	28069	1	6'9" SD Blade Assembly (includes items 2-8)	8	59900	1	Label – Warning/Caution, Snowplows	
	27775	1	7'6" SD Blade Assembly (includes items 2-8)	9	26211	1	Label – Logo, STORM GUARD™	
2	28003	1	6'9" Base Angle	10*	27880	1	Shoe Kit (set of 2)	
	27824	1	7'6" Base Angle	11*	22215	1	Poly Cutting Edge Kit – 6'9"	
3	84844	6	3/4 x 2-3/16 Pin Kit		22216	1	Poly Cutting Edge Kit – 7'6"	
4	90658	6	5/32 x 1-1/4 Cotter Pin	ns	5532*	1	Steel Cutting Edge Kit – 7'6"	
5	21452	2	Removable Spring Assembly	12*	7906K	1	Blade Guides Kit (set of 2)	
6	40905	2	Shoulder Bolt and Locknut	13*	22470-1	1	Rubber Deflector Kit	
7	20238	1	Label – Logo, FISHER® Splatter	ns	22269*	1	Steel Deflector Kit – 6'9"	
					283*	1	Steel Deflector Kit – 7'6"	
				ns	44405*	1	Curb Guard Kit – 6'9" Blade	
Item 5				21452 Removable Spring Assembly				
	14	21450	2	Removable Spring Bar	16	20191	2	Removable Spring Disk
	15	5323	2	Trip Spring	17	20181	2	1/4 x 1-1/4 Pin
* Accessory only.				ns = not shown				

A-Frame Components



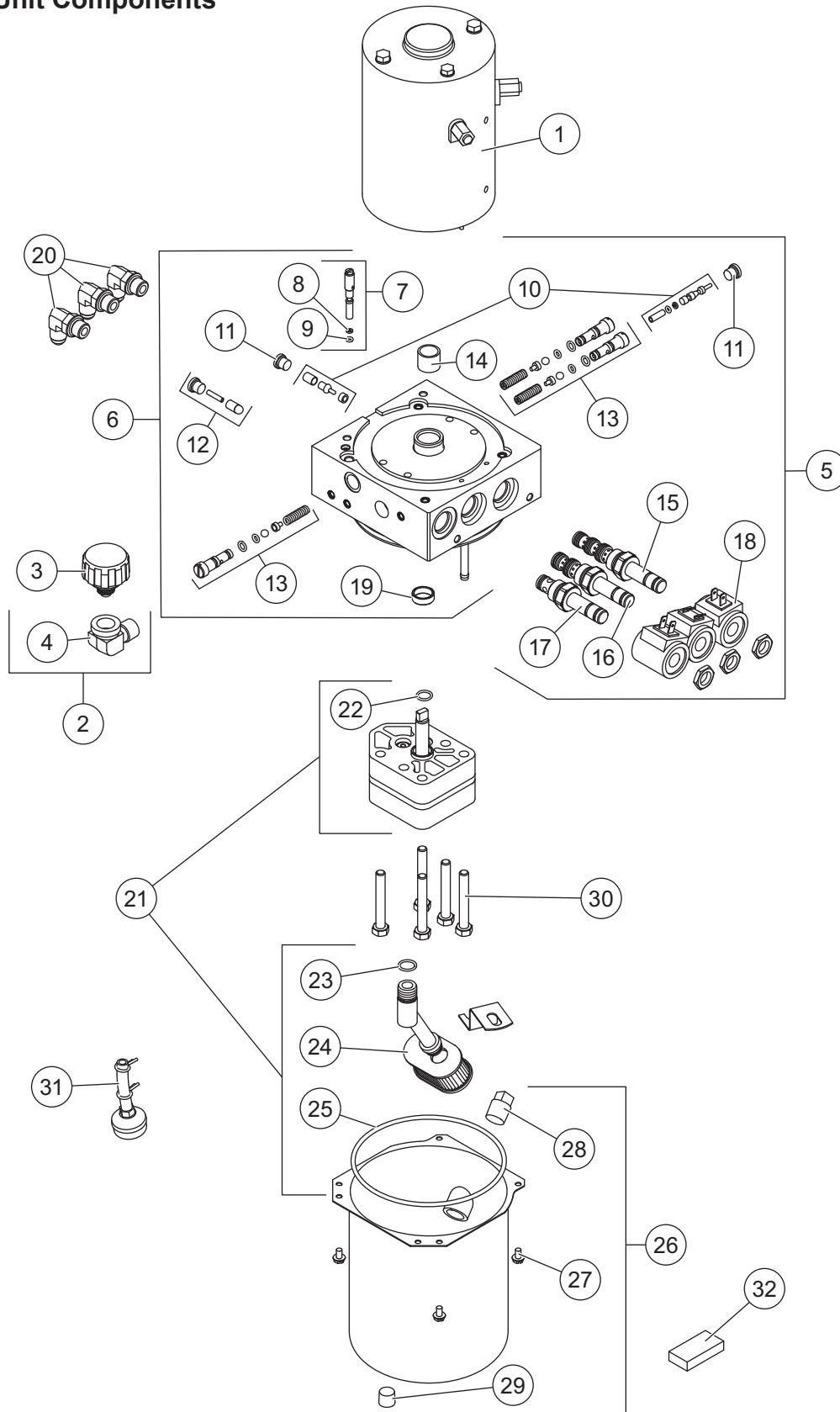
A-Frame Components							
Item	Part	Qty	Description	Item	Part	Qty	Description
1	27995-1	1	A-Frame	7	68340	1	Quick Link
2	27979	1	1 x 8 Pivot Pin	8	27074	1	Spring
3	90601	5	1/4 x 1-1/2 Cotter Pin	9	91413	8	3/8-16 Hex Nut G5
4	27912-1	1	5/16 G30 Lift Chain Bag	10	6816	2	1 x 4 Clevis Pin
5	A6148K	3	U-Bolt Assembly Packet	11	22260	2	1 x 4-3/4 Clevis Pin
6	49521	1	Spring/U-Bolt/Link Kit	12	56726	2	Elbow, 45° -6 M JIC/-6 M ORB
G = Grade				M = Male			

Headgear Components



Headgear Components							
Item	Part	Qty	Description	Item	Part	Qty	Description
1	49528	1	Headgear	19	27461	1	3/4 x 3-1/2 Compression Spring
2	27451	1	Label – Attach/Detach, Minute Mount® 2	20	90658	5	5/32 x 1-1/4 Cotter Pin
3	27162K-1	1	Stop Clip Kit	21	27741	1	Jack, SD
4	8284K	1	Cable Boot	22	27164K	1	Handle Kit
5	27177K	1	Step Pin Kit	23	27168K	2	Connecting Pin Kit
6	90601	5	1/4 x 1-1/2 Cotter Pin	24	26833	2	1 x 6-15/16 Clevis Pin
7	49522	2	Clamp Loop Kit	25	821	2	1 x 3-1/2 Compression Spring
8	27468	1	Handle – Link Arm Assembly	26	26219	2	3/8 x 3-1/4 Clevis Pin Kit
9	27535	1	Handle Cover Kit	27	68312-1	1	Hydraulic Unit Cover, Front
10	27163K	1	Snap-In Bushing Kit (pkg of 2)	28	68313-1	1	Hydraulic Unit Cover, Rear
11	27465	1	Link Arm	29	26757-1	1	Lift Arm Kit, Yellow
12	90043	1	3/8-16 x 2 Hex Cap Screw G5	30	28991	1	Stop Link Kit
13	91333	1	3/8 x 16 Hex Locknut GB	31	29037	1	5/8 x 2-5/8 Clevis Pin w/Cotter
14	27167K	1	Wire Cam Kit – PS	32	4289K	2	3/4 x 1-7/8 Machine Pin Packet
15	27166K	1	Wire Cam Kit – DS	33	26777	1	Label – Nameplate, Minute Mount 2
16	90315	4	3/8 Flat Washer Type A Wide	34	95720	1	1 x 3-5/16 Clevis Pin HT
17	91902	2	1/8 x 1 Cotter Pin	35	6814	1	1 x 3-5/16 Clevis Pin
18	27478	1	Jack Lock	36	49526	1	Connector, –6 M JIC/ –6 M ORB
				ns	69689	1	Label – Logo, SECURITY GUARD™
ns = not shown			G = Grade	M = Male			HT = Heat Treated

Hydraulic Unit Components

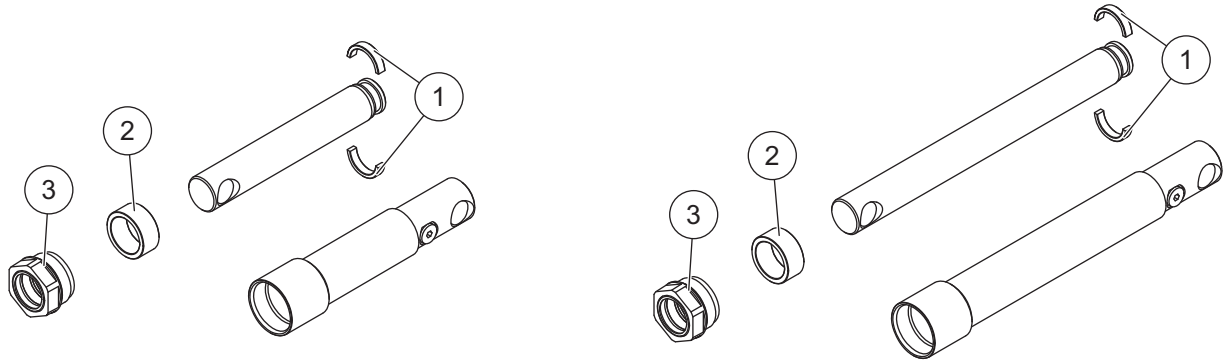


42295 Hydraulic Unit 2500 psi 42290 Hydraulic Unit Service Kit							
Item	Part	Qty	Description	Item	Part	Qty	Description
1	21500K-1	1	Motor, 4-1/2"	18	7639K-2	3	Coil w/Spades
2	22344K	1	Elbow, Street 90° w/Breather	19**	66515	1	Pump Shaft Seal
3	21727-2	1	Breather Pressure Control	20	77929	3	Elbow, 90° –6 M JIC/–6 M ORB
4	21726	1	Elbow, Street 90° 3/8 M NPTF/ 3/8 F NPTF	21	21501K-1	1	Hydraulic Pump Kit
5	42294-2	1	Valve Manifold Assembly	22	56274	1	O-Ring -013
6	42292-2	1	Manifold Assembly	23	56416	1	O-Ring -014
7	56662	1	Quill Assembly	24	26781-4	1	Suction Filter
8	56315	1	Back-Up Ring -006	25	66519	1	O-Ring 2-250
9	25622	1	O-Ring -006	26	21830	1	Reservoir Kit
10	7630K	1	Poppet Check Valve Kit	27	66607	4	#10-24 x 5/16 Slotted Hex Washer-Head Machine Screw
11	92960	2	Plug, Hex Socket –3 M ORB	28	92079	1	Plug, Square 3/8 NPTF
12	56507	1	Bypass Check Valve Kit	29	92095	1	Plug, Hex Socket 1/4 NPTF w/ Thread Sealant – SAE 130109N/P
13	7629K-4	2	Relief Valve Kit (set of 2)	30	90073	5	5/16-18 x 2-1/4 Hex Cap Screw
14*	64596-1	1	Sleeve Bearing and Shaft Seal Kit	31	66405	1	Return Screen Assembly
15	7637K-1	1	Cartridge Valve, 4-Way w/Nut	32	73897	1	Magnet
16	66608K-1	1	Cartridge Valve, 3-Way w/Nut				
17	7634K-2	1	Valve, 2-Way w/Nut				
O-Ring Service Kits							
–	7632K-5	–	O-Ring & Back-Up Ring Kit	–	49259-2	–	Seal Kit, 3-Way & 4-Way Valve
–	49258-2	–	Seal Kit, 2-Way Valve				
M = Male				F = Female			

* Use 64589 tool for bearing sleeve replacement (includes 1 bearing).

** Use 28856 tool for pump shaft seal replacement (includes 1 seal).

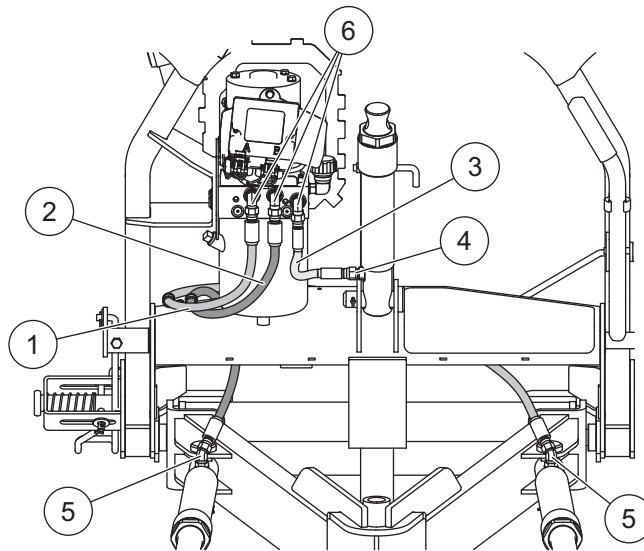
Lift Ram and Angle Ram Components



56718 Lift Ram Assembly 1-1/2 x 6			
Item	Part	Qty	Description
1	20118K	1	Split Bearing Kit
2	56537	1	Spacer
3	48985	1	Gland Nut Assembly
ns = not shown			

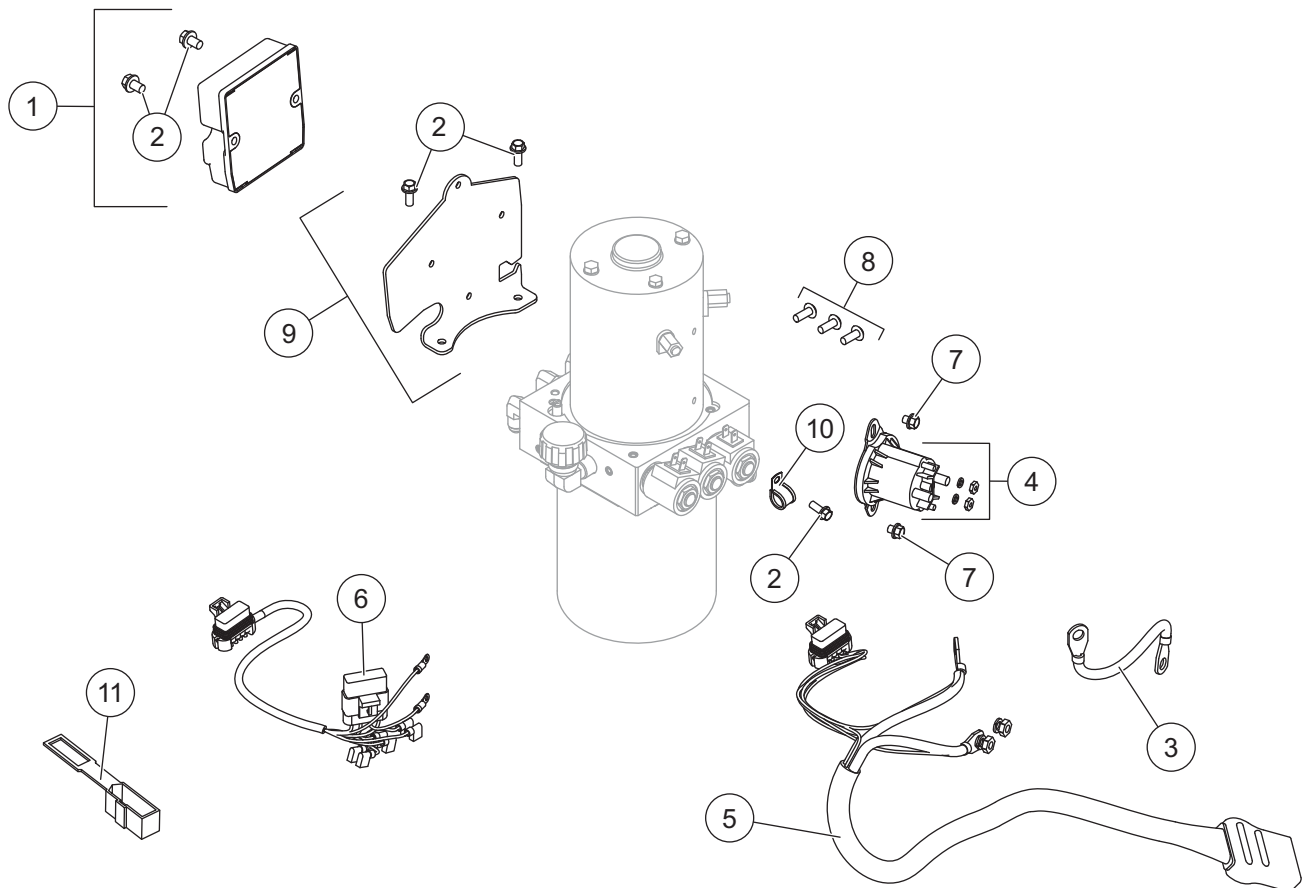
56600K Angle Ram Assembly 1-1/2 x 10			
Item	Part	Qty	Description
1	20118K	1	Split Bearing Kit
2	56537	1	Spacer
3	48985	1	Gland Nut Assembly
ns = not shown			

Hoses and Fittings



Hoses and Fittings			
Item	Part	Qty	Description
1	44348	1	Hose, 3/8 x 42 w/F JIC Ends
2	44866	1	Hose, 3/8 x 32 w/F JIC Ends
3	56832	1	Hose, 1/4 x 8 w/F JIC Ends
4	49526	1	Connector, -6 M JIC/-6 M ORB
5	56726	2	Elbow, 45° -6 M JIC/-6 M ORB
6	77929	3	Elbow, 90° -6 M JIC/-6 M ORB w/Screen
F = Female		M = Male	

Electrical Components



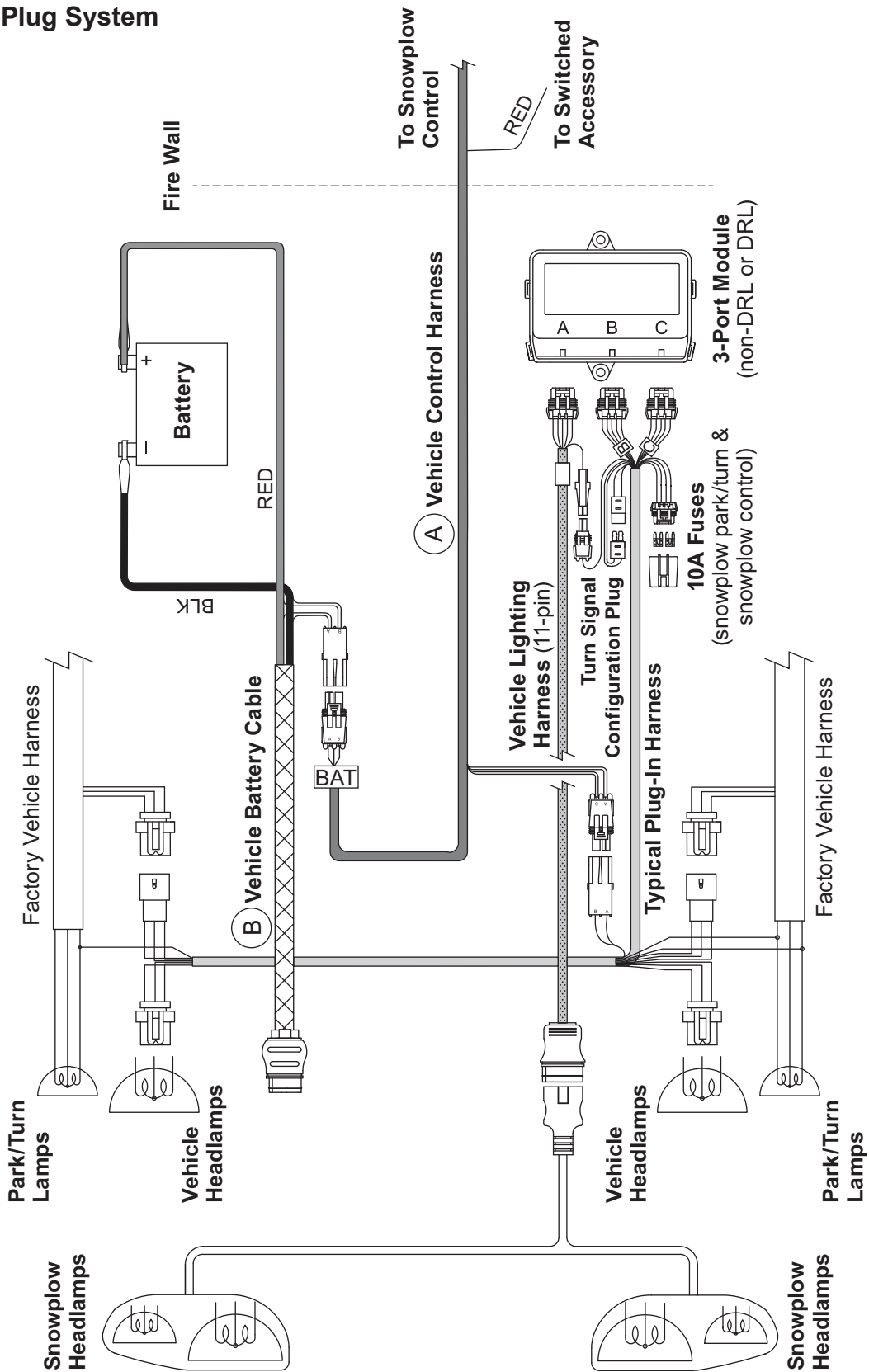
Plow-Side Electrical Components						
Item	Part	Qty	Description	Item	Part	Qty Description
1	49567	1	Plow Module, 2-Port	7	29099	2 1/4-20 x 1/4 Hex Washer-Head Thread-Rolling Screw
2	44355	5	1/4-20 x 5/8 Hex Washer-Head Thread-Rolling Screw	8	98043	3 3/8-16 x 1 Button Cap Screw
3	29071	1	Cable Assembly 8"	9	42287	1 Bracket – Plow Module
4	42901	1	Motor Relay Kit FLEET FLEX	10	49522	1 Clamp Loop Kit
5	42015	1	Snowplow Battery Cable	ns	56099	1 Dielectric Grease
6	28581-1	1	Harness Plow Control, 3-Solenoid			

ns = not shown

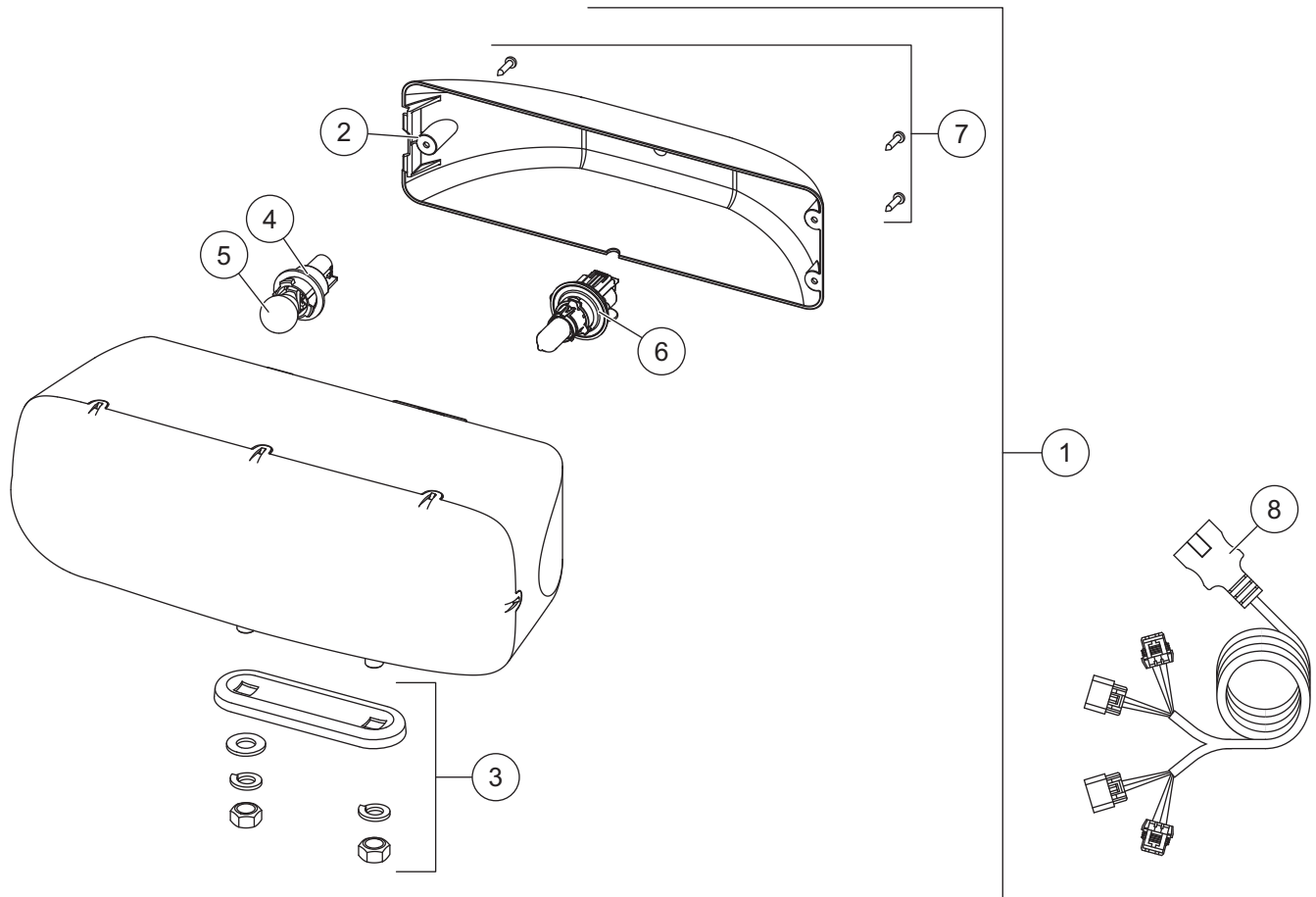
Vehicle-Side Electrical Components (diagram on following page)						
A*	28587	1	Vehicle Control Harness	11	61548K	1 Plug Cover (shown above with plow-side electrical components)
B*	42014	1	Vehicle Battery Cable			

*See Vehicle-Side Harness Diagram on following page.

Vehicle-Side Harness Diagram
3-Port, 2-Plug System



Headlamp Kit



28800-1 Headlamp Kit (pair)							
Item	Part	Qty	Description	Item	Part	Qty	Description
1	28802-1	1	Headlamp Service Kit – PS	5		2	Park/Turn Bulb (trade no. 4157NAK)
ns	28801-1	1	Headlamp Service Kit – DS	6	28806	2	Headlamp Bulb Service Kit H13
2	28803-1	2	Rear Cover Kit (fits 2- or 3-screw)	7	28808-1	2	Cover Screws Service Kit (pkg of 3)
3	28804	2	Mounting Hardware Kit	8	28213K	1	Harness Service Kit, Plow Lighting
4	28805	2	Park/Turn Socket Service Kit				

ns = not shown



Fisher Engineering
50 Gordon Drive
Rockland, ME 04841-2139
www.fisherplows.com

A DIVISION OF FISHER, LLC

Copyright © 2021 Douglas Dynamics, LLC. All rights reserved. This material may not be reproduced or copied, in whole or in part, in any printed, mechanical, electronic, film, or other distribution and storage media, without the written consent of Fisher Engineering. Authorization to photocopy items for internal or personal use by Fisher Engineering outlets or snowplow owner is granted.

Fisher Engineering reserves the right under its product improvement policy to change construction or design details and furnish equipment when so altered without reference to illustrations or specifications used. Fisher Engineering or the vehicle manufacturer may require or recommend optional equipment for snow removal. Do not exceed vehicle ratings with a snowplow. Fisher Engineering offers a limited warranty for all snowplows and accessories. See separately printed page for this important information. The following are registered (®) or unregistered (™) trademarks of Douglas Dynamics, LLC: FISHER®, Minute Mount® 2, SECURITY GUARD™, STORM GUARD™.

Printed in U.S.A.