



Fisher Engineering

50 Gordon Drive, Rockland, Maine 04841-2139 • www.fisherplows.com

44685-1, 44695-1

44775-2, 44785-1

44795-1, 85000, 85500

March 1, 2022

Lit. No. 49596, Rev. 11

XtremeV™

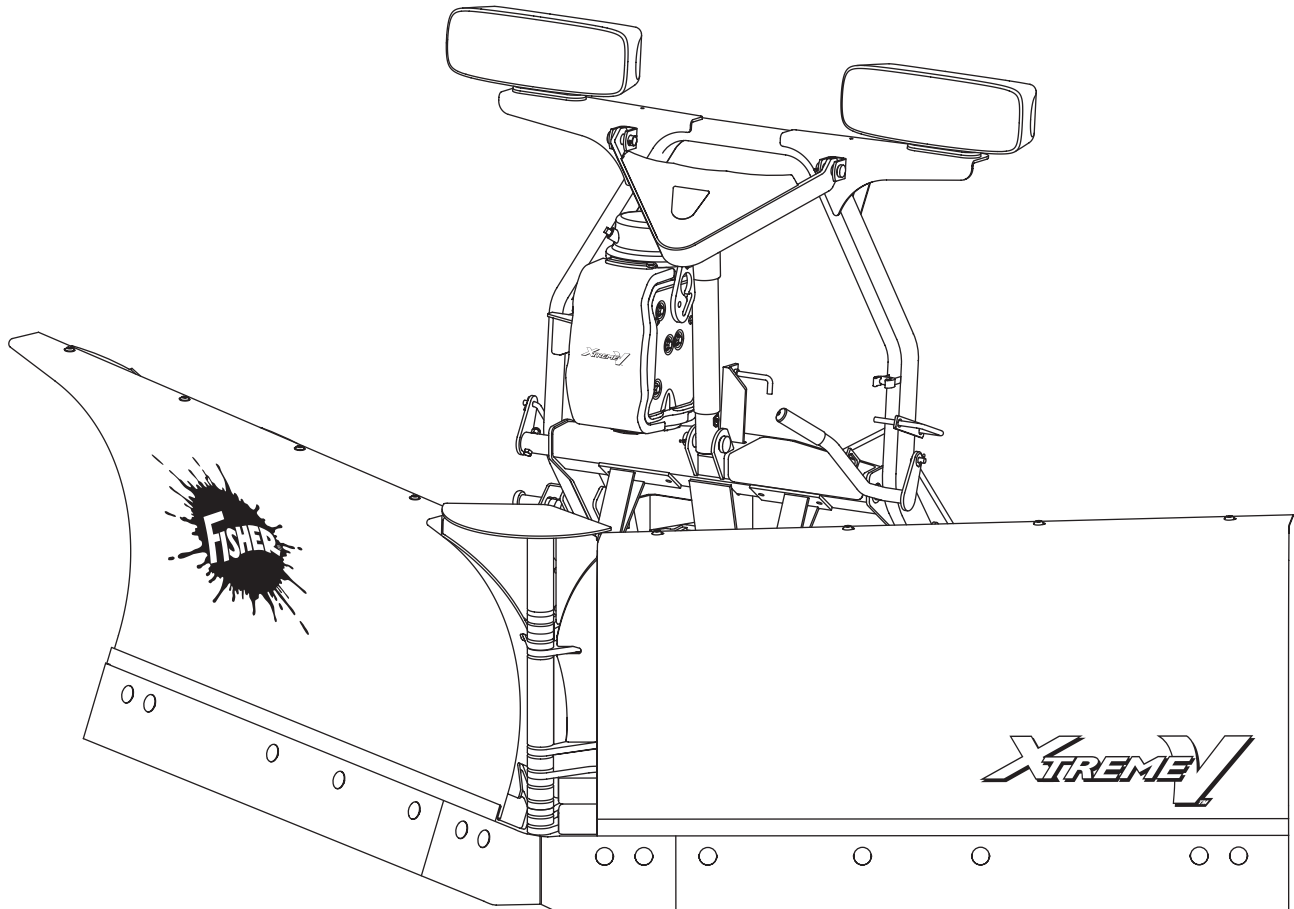


Minute²
SYSTEM

Blade and Off-Truck Kit

XtremeV™ Snowplow

Parts List



XtremeV™ BLADES 4

XtremeV OFF-TRUCK KITS 6

 Headgear and T-Frame 6

 Hydraulic Unit..... 8

 Cover Assembly 10

 Lift and Angle Rams 11

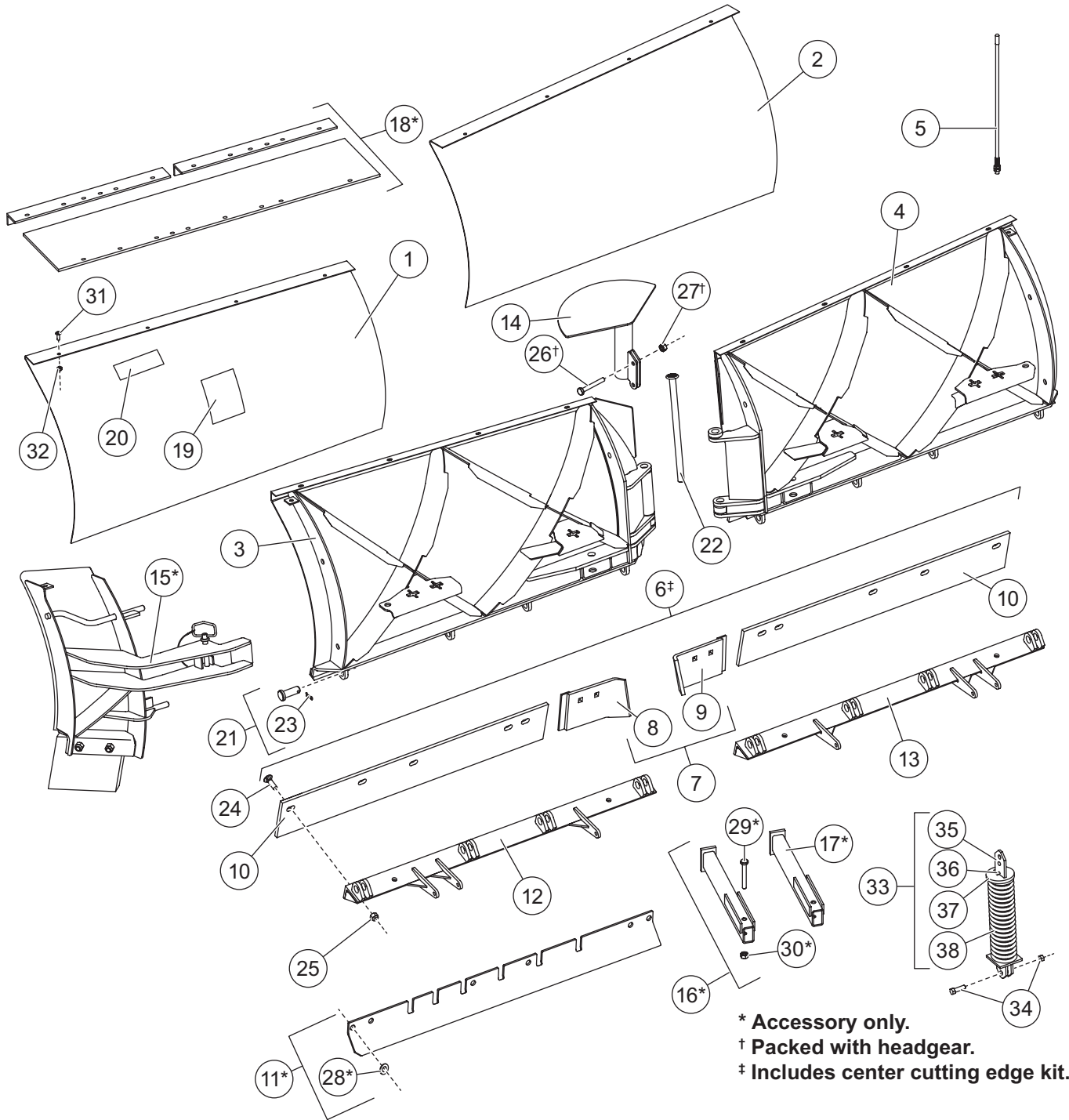
 Hoses and Fittings 11

 Electrical Components..... 12

 Vehicle-Side Wiring Diagram..... 13

 Headlamp Kit 14

BLADE COMPONENTS – 9'6" SHOWN



44685-1, 44695-1, 44775-2, 44785-1, 44795-1, 85000, 85500

44685-1/44695-1/44775-2/44785-1/44795-1 XtremeV™ Blade Components						
Item Description	Part Number					
	7'6" SS	8'6" MS	8'6" SS	9'6" MS	9'6" SS	
1 Moldboard Kit – DS	44822	44824	44826	44828	44830	
2 Moldboard Kit – PS	44823	44825	44827	44829	44831	
3 Frame, Base Angle & Springs – DS	44745	44746		44747		
4 Frame, Base Angle & Springs – PS	44748	44749		44750		
5 Flexible Blade Guide Set – 26"	27195					
6† Cutting Edge Kit w/Fasteners (3/8")	44740-2	44741-2		–		
Cutting Edge Kit w/Fasteners (1/2")	44742-2*	44743-2*		44744-2		
Cutting Edge Kit w/Fasteners (5/8")	–	85361*		85362*		
7 Center Cutting Edge Kit w/Fasteners	44894-1					
Center Cutting Edge Kit w/Fasteners (5/8")	85357*					
8 Center Cutting Edge – DS	44891-1					
Center Cutting Edge (5/8") – DS	85351*					
9 Center Cutting Edge – PS	44890-1					
Center Cutting Edge (5/8") – PS	85352*					
10 Cutting Edge (3/8")	44896-1	44897		–		
Cutting Edge (1/2")	44996-1*	44997*		44898		
Cutting Edge (5/8")	–	85355*		85356*		
11* Back Drag Edge Kit	44281-4	44282-3		44283-4		
12 Base Angle – DS	40340	40342		44110-1		
13 Base Angle – PS	40341	40343		44111-1		
14 Snow Control	44570			44571		
15* Blade Wing Extension Kit	–	44610-1				
16* Blade Stop Kit	44473					
17* Outrigger	44036					
18* Rubber Deflector Kit	44710					
19 Label – Warning/Caution, Snowplows	59900					
20 Label – Logo, STORM GUARD™ (MS)	–	26211	–	26211	–	
ns Label – Logo, FISHER® Splatter	20238					
ns Label – Identity, XtremeV	44464					
ns Blade Label Kit – V-Plows	42490*					

MS = Mild Steel SS = Stainless Steel ns = not shown

* Accessory only.

† Includes center cutting edge kit.

Springs and Fasteners								
Item Part Description	Qty			Item Part Description	Qty			
	7'6"	8'6"	9'6"		7'6"	8'6"	9'6"	
21 27241 1 x 2-3/4 Clevis Pin w/Cotter	6	8	8	32 3/8-16 x 1 Hex Locknut				
22 44028 V-Plow Pivot Pin	1	1	1	91333 For Mild Steel Moldboards	–	8	8	
23 1/4 x 1-3/4 Cotter Pin	8	8	8	95410 For Stainless Steel Moldboards	8	8	8	
24 5/8-11 x 2 Carriage Bolt G5	14	14	14	33 21452 Removable Spring Assembly	4	4	6	
25 5/8-11 Hex Locknut GB	14	14	14	34 40905 Shoulder Bolt w/Locknut	4	4	6	
26† 3/8-16 x 1-1/4 Hex Cap Screw G5	2	2	2	35 21450 Removable Spring Bar	4	4	6	
27† 3/8-16 Hex Locknut GB	2	2	2	36 20181 1/4 x 1-1/4 Pin	4	4	6	
28* 63927 5/8 Flat Washer Type A Narrow	14	14	14	37 20191 Removable Spring Disc	4	4	6	
29* 90109 1/2-13 x 4-1/2 Hex Cap Screw G5	2	2	2	38 5323 Trip Spring	4	4	6	
30* 91335 1/2-13 Hex Locknut GB	2	2	2	ns 44763 Bolt Bag – Cutting Edge Kits (one side – 5 sets of fasteners)	2	2	2	
31 3/8-16 x 1 Button Cap Screw								
98043 For Mild Steel Moldboards	–	8	8	ns 44790* Bolt Bag – Rubber Deflector	1	1	1	
98035 For Stainless Steel Moldboards	8	8	8					

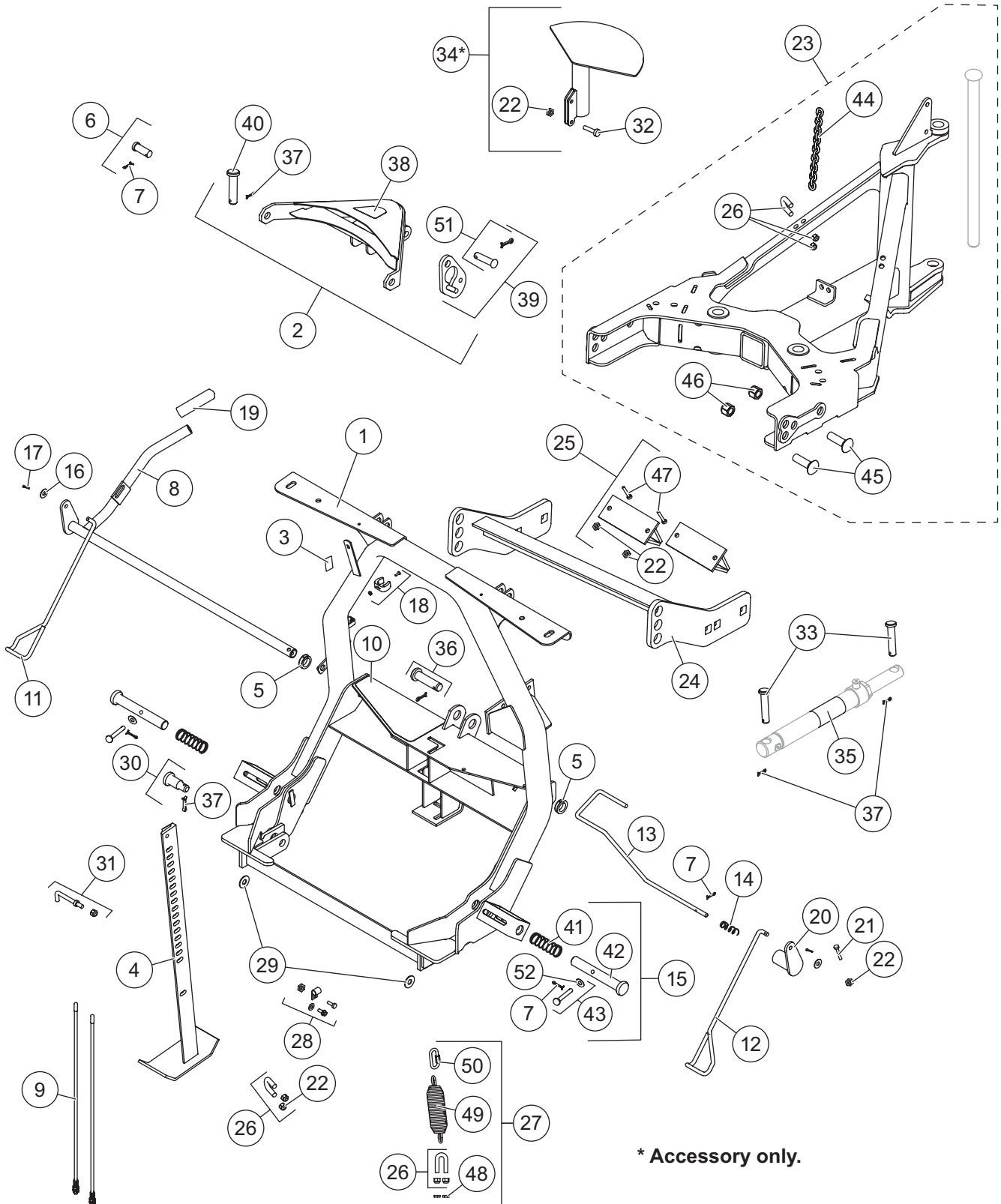
ns = not shown

* Accessory only.

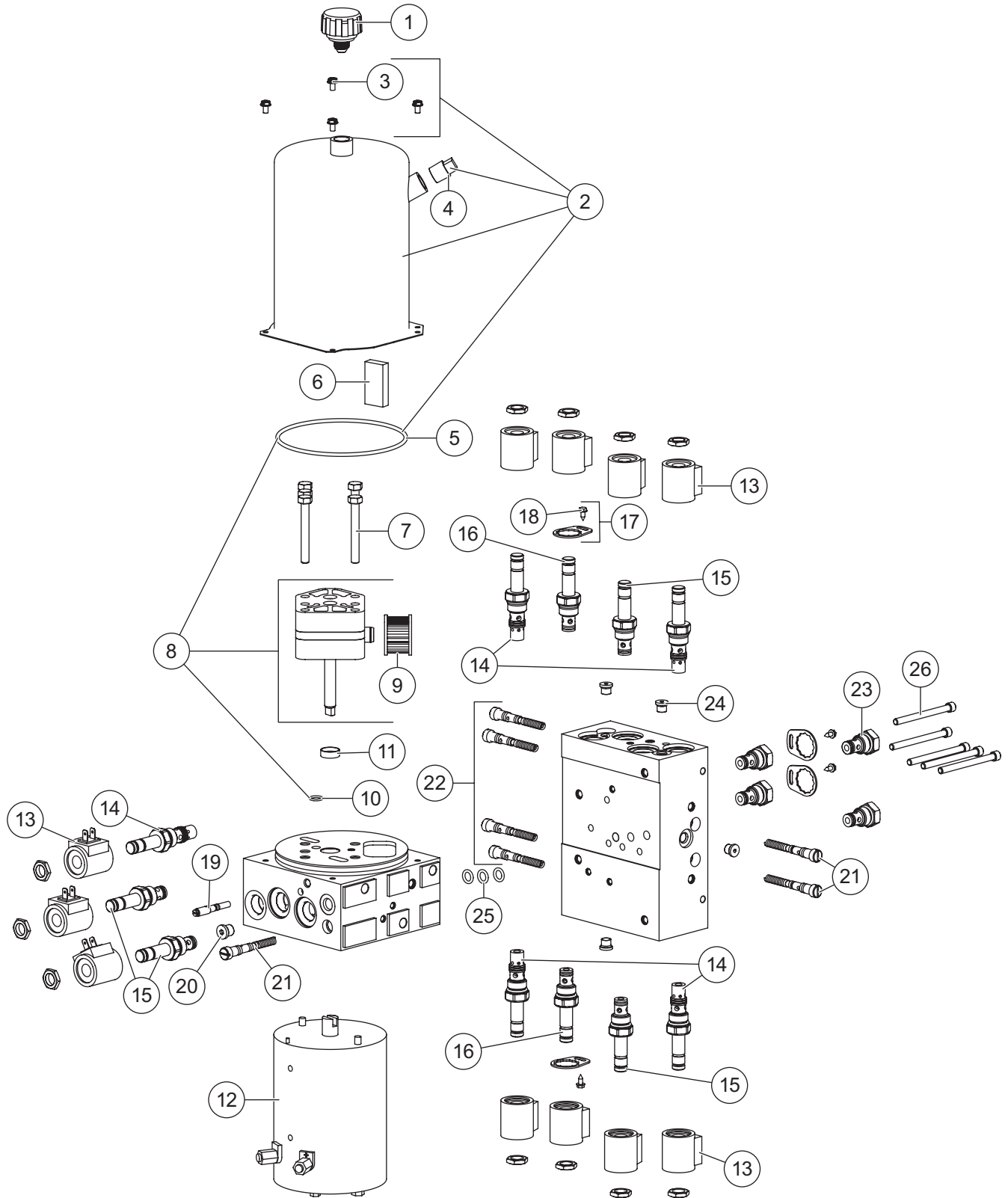
† Packed w/headgear.

G = Grade

Headgear and T-Frame Components



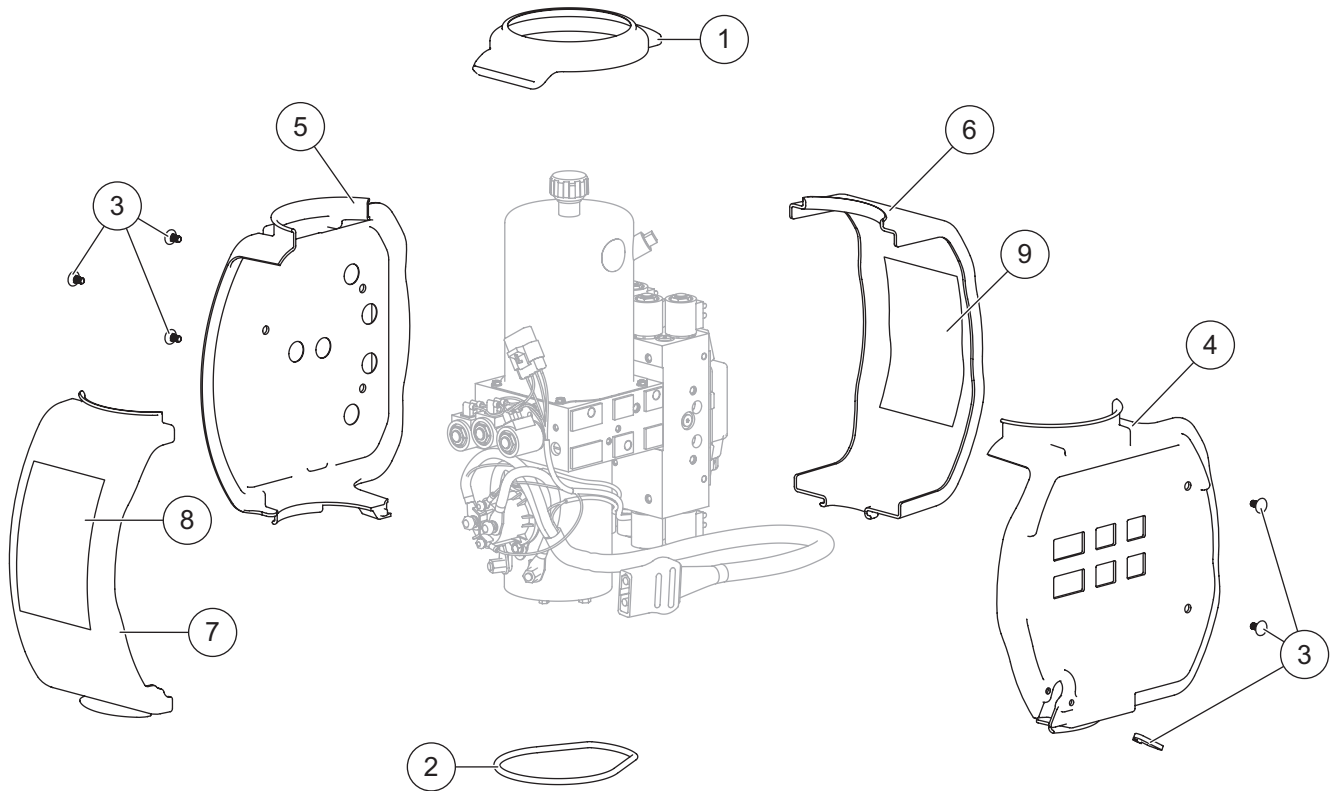
Hydraulic Unit Components



44685-1, 44695-1, 44775-2, 44785-1, 44795-1, 85000, 85500

44330 Hydraulic Unit XtremeV™							
Item	Part	Qty	Description	Item	Part	Qty	Description
1	21727-2	1	Breather Pressure Control	18	63943	4	#8-18 x 3/8 Tapping Screw
2	44327-3	1	Reservoir Kit	19	56662	1	Quill Assembly 5/16-24 Thread
3	66607	4	#10-24 x 5/16 Machine Screw		48517	1	Quill Assembly 1/2-20 Thread
4	92079	1	Plug, Square 3/8 NPTF	20	44344	1	Plug, Hex Socket –4 M ORB
5	66519	1	O-Ring 2-250	21	7629K-4	1-1/2	Relief Valve Kit (2 sets)
6	73897	1	Magnet	22	44337	2	Relief Valve Kit (2 sets)
7	90080	5	5/16-18 x 2-1/2 Hex Cap Screw G5	23	44333-1	4	Check Valve CV08-20
8	44329-2	1	Pump Kit	24	92960	4	Plug, Hex Socket –3 M ORB
9	26781-4	1	Suction Filter	25	29077	3	O-Ring -110
10	56274	1	O-Ring -013	26	29081	5	1/4-20 x 3 Socket Cap Screw
11	66515	1	Pump Shaft Seal	ns	29099	2	1/4-20 x 1/4 Hex Washer-Head Thread-Rolling Screw
12	21500K-1	1	Motor Assembly 4-1/2				
13	7639K-2	11	Coil w/Spade Terminals	ns	44326	1	1/4-20 x 1/2 6-Lobe Round Washer-Head Screw (pkg of 5)
14	44331	5	Valve SVCV08-20 w/Nut				
15	7634K-2	4	Valve SV08-2004 w/Nut	ns	44355	2	1/4-20 x 5/8 Hex Washer-Head Thread-Rolling Screw
16	44335	2	Valve SF08-2015 w/Nut				
17	44369	4	Valve Lock Ring w/Screw				
O-Ring Service Kits							
–	7632K-5	–	Back-Up/O-Ring Kit (does not contain O-rings for cartridge valves)	–	49259-2	–	Seal Kit, Valves SV08-30, -31, -33, -40, -43, and SVCV 10-20
–	49258-2	–	Seal Kit, Valves SV08-2004, CV08-20, SF08-2015				
ns = not shown			M = Male		G = Grade		

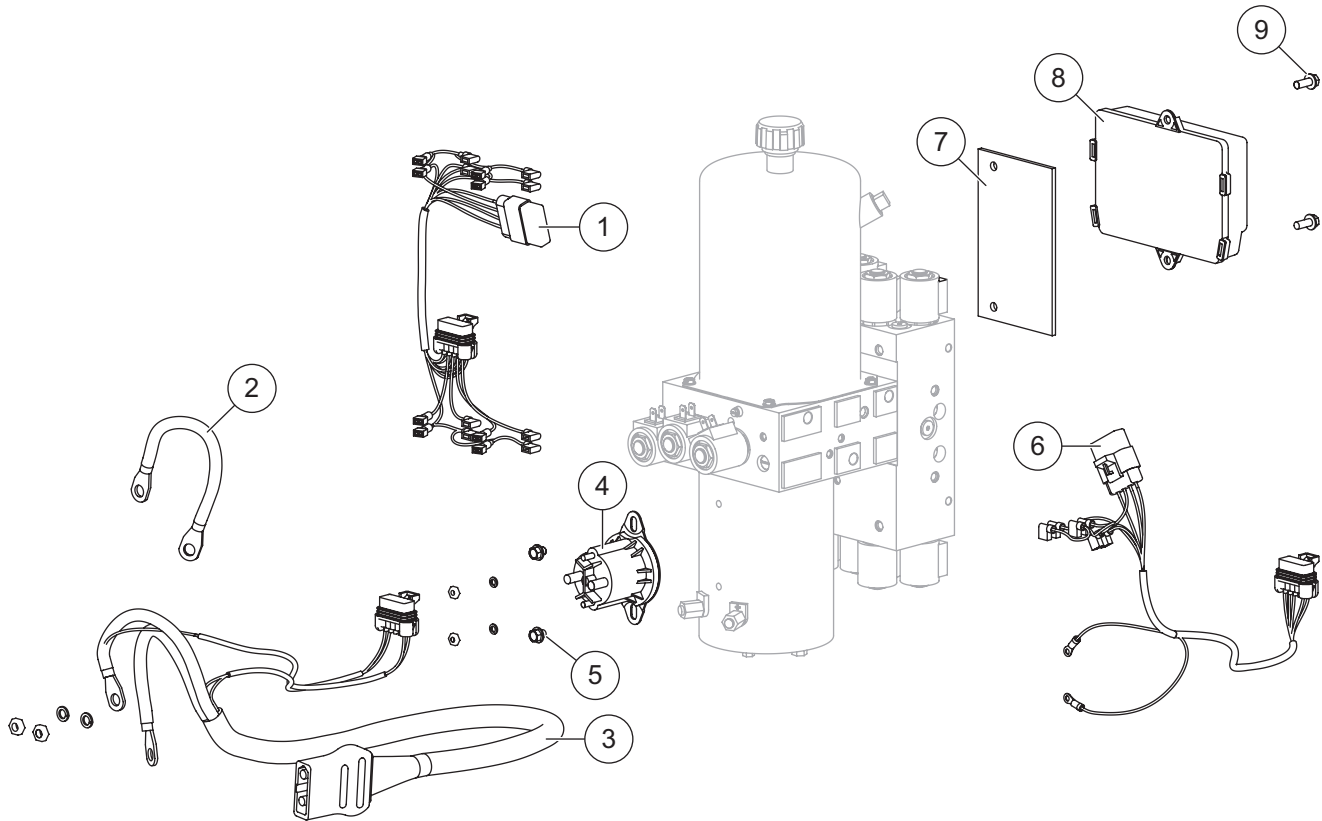
Hydraulic Unit Cover Assembly



44324 Hydraulic Unit Cover Assembly							
Item	Part	Qty	Description	Item	Part	Qty	Description
1	44352	1	Top Retainer Ring	6	44303	1	Cover, Side 3
2	44366	1	Bottom Retainer Ring	7	44304	1	Cover, Side 4
3	44326	1	1/4-20 x 1/2 6-Lobe Round Washer-Head Screw (pkg of 5) w/8" Cable Tie	8	44310	1	Label – Information (S1–S3)
4		1	Cover, Side 1	9	44319	1	Label – Information (S4–S11)
5		1	Cover, Side 2	ns	61536	1	Cable Tie 14"
				ns	44415	1	Label – Hydraulic Unit, XtremeV™

ns = not shown

Electrical Components

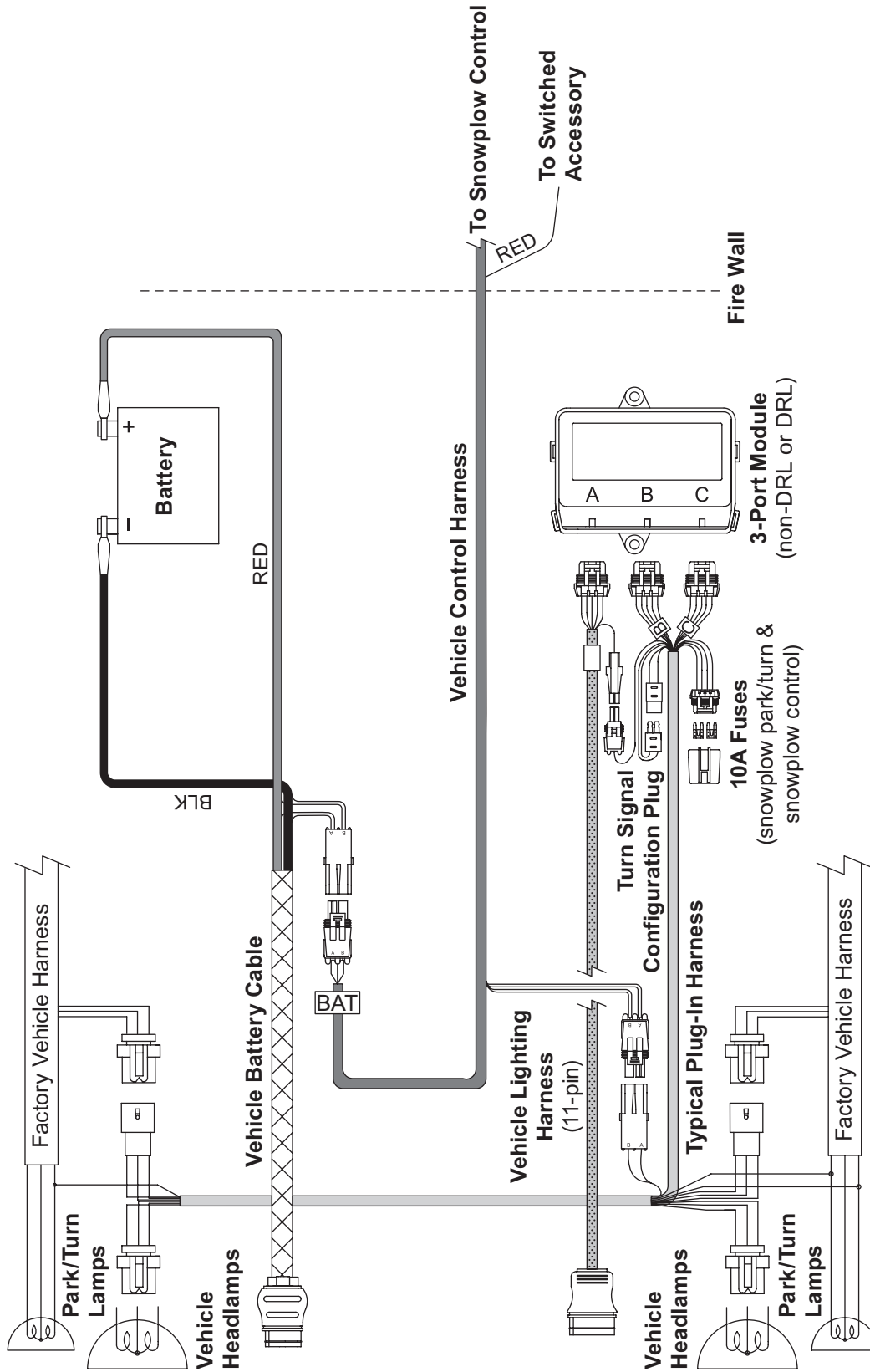


Plow-Side Electrical Components							
Item	Part	Qty	Description	Item	Part	Qty	Description
1	28583	1	Harness Plow Control, 8-Solenoid	8	44354-3	1	Plow Module
2	29071	1	Cable Assembly 8"	9	44355	2	1/4-20 x 5/8 Hex Washer-Head Thread-Rolling Screw
3	42015	1	Snowplow Battery Cable	ns	8284K	1	Cable Boot
4	42901	1	Motor Relay Kit FLEET FLEX System	ns	8329K	2	Dielectric Grease (pkg of 2)
5	29099	2	1/4-20 x 1/4 Hex Washer-Head Thread-Rolling Screw	ns		4	Fuse, 4A Mini Automotive-Style (for items 1 and 6)
6	28581-1	1	Harness Plow Control, 3-Solenoid				
7	44308	1	Spacer Module				
Vehicle-Side Electrical Components							
*	72527	1	Vehicle Battery Cable	ns	61548K	1	Plug Cover
*	28587	1	Vehicle Control Harness				

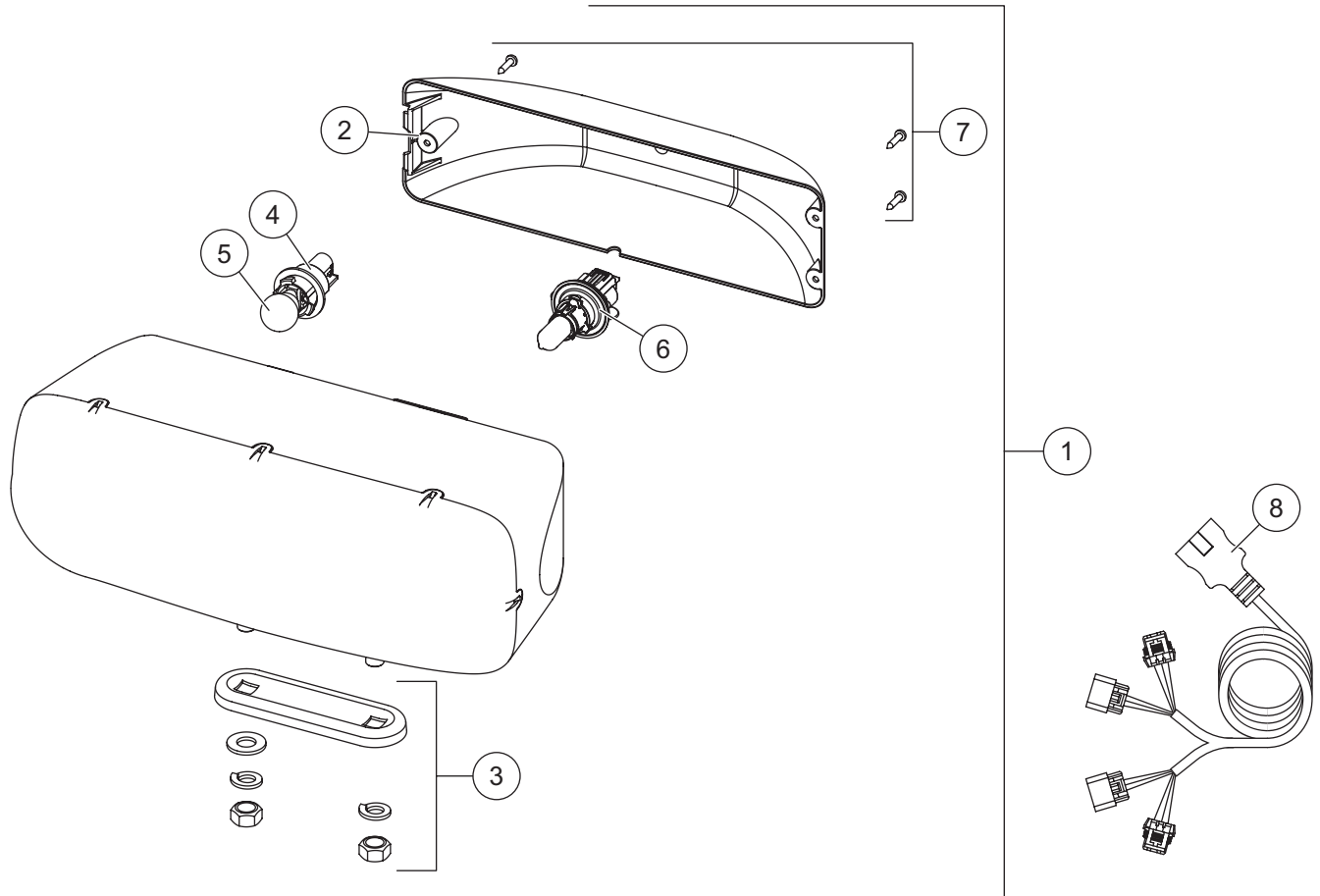
ns = not shown

* For diagram see Vehicle-Side Harness Diagram.

Vehicle-Side Harness Diagram



Headlamp Kit



28800-1 Headlamp Kit (pair)							
Item	Part	Qty	Description	Item	Part	Qty	Description
1	28802-1	1	Headlamp Service Kit – PS	5		2	Park/Turn Bulb (trade no. 4157NAK)
ns	28801-1	1	Headlamp Service Kit – DS	6	28806	2	Headlamp Bulb Service Kit H13
2	28803-1	2	Rear Cover Kit (fits 2- or 3-screw)	7	28808-1	2	Cover Screws Service Kit (pkg of 3)
3	28804	2	Mounting Hardware Kit	8	28213K	1	Harness Service Kit
4	28805	2	Park/Turn Socket Service Kit				

ns = not shown



Fisher Engineering
50 Gordon Drive
Rockland, ME 04841-2139
www.fisherplows.com

A DIVISION OF FISHER, LLC

Copyright © 2022 Douglas Dynamics, LLC. All rights reserved. This material may not be reproduced or copied, in whole or in part, in any printed, mechanical, electronic, film, or other distribution and storage media, without the written consent of Fisher Engineering. Authorization to photocopy items for internal or personal use by Fisher Engineering outlets or snowplow owner is granted.

Fisher Engineering reserves the right under its product improvement policy to change construction or design details and furnish equipment when so altered without reference to illustrations or specifications used. Fisher Engineering or the vehicle manufacturer may require or recommend optional equipment for snow removal. Do not exceed vehicle ratings with a snowplow. Fisher Engineering offers a limited warranty for all snowplows and accessories. See separately printed page for this important information. The following are registered (®) or unregistered (™) trademarks of Douglas Dynamics, LLC: FISHER®, Minute Mount® 2, SECURITY GUARD™, STORM GUARD™, XtremeV™.

Printed in U.S.A.