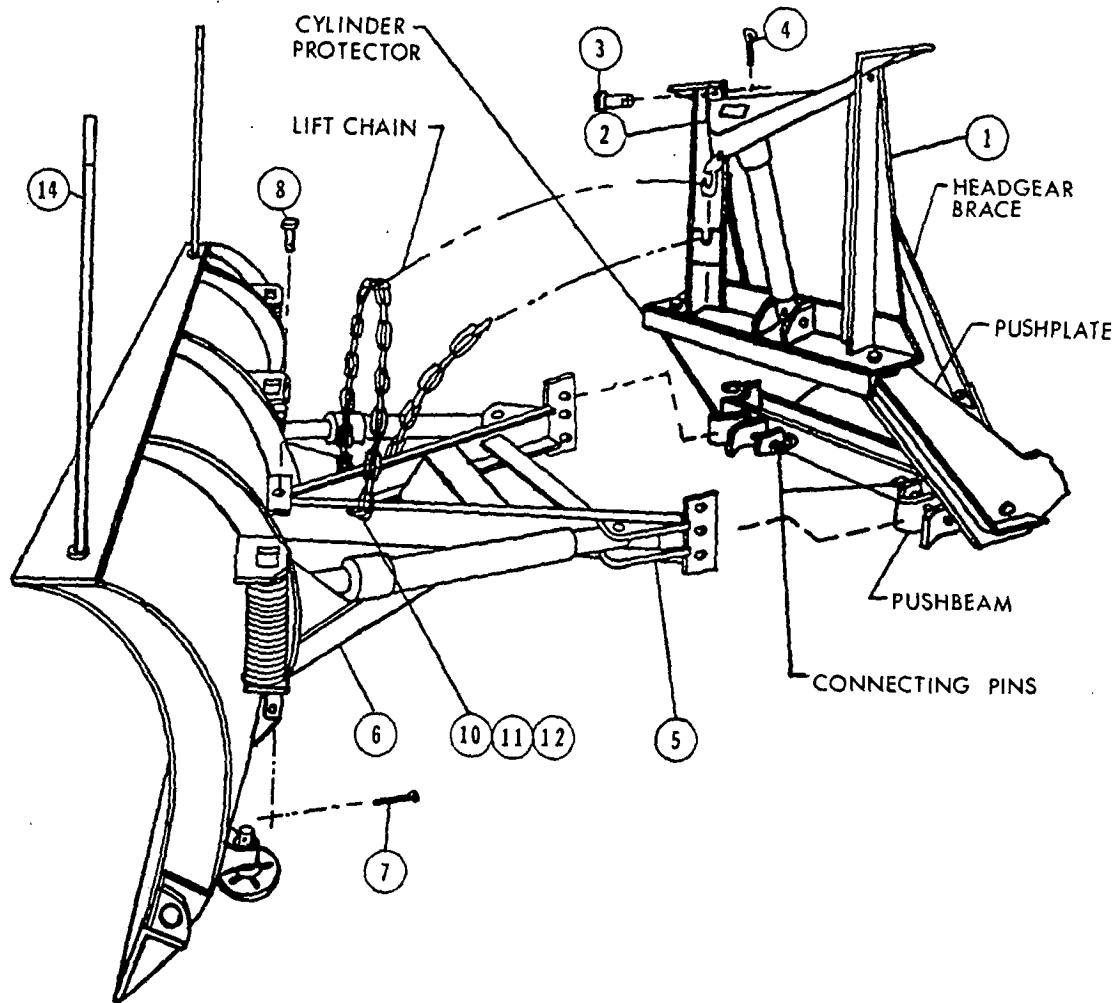


BLADE & COMMON ATTACHMENTS ALL VEHICLES

NOTE: Components may vary slightly from illustration.



6202

			COMMON ATTACHING KITS QUANTITY PER KIT				
Ref #	Part #	Description	A6142	A4977	A4979	A4980	A4981
1	5878	Headgear - RDY		1	1		
1	5074	Headgear - HDY				1	1
1	5288	Headgear - Com L Tilt	1				
2	312	Lift Arm - Regular Duty		1	1		
2	804	Lift Arm - Heavy Duty	1			1	1
3	4289	3/4 x 1-7/8 Machine Pin ZP	Packed in Pec Att Kit				
4	90658	5/32 x 1-1/4 Cotter Pin ZP	Packed in Pec Att Kit				
5	A5524	A-Frame Assembly - RDY		1			
5	A5518	A-Frame Assembly - RDY ADJ			1		
5	A5577	A-Frame Assembly - HDY ADP					1
5	8627	A-Frame Assembly - HDY	1			1	
6	7760	Blade Assembly - 6-1/2' "L"			1		
6	7761	Blade Assembly - 7' "L"			1		
6	7657	Blade Assembly - 7-1/2' "L"			1		
6	7658	Blade Assembly - 8' "L"			1		
6	7659	Blade Assembly - 9' "L"			1		
7	*90013	1/4 x 2 Cotter Pin ZP	1	1	1	1	1
8	*6817	Pivot Pin	1	1	1	1	1
9	7326	Chain Bag - Com Att RDY/RDY ADJ		1	1		
9	7327	Chain Bag - Com Att HDY	1			1	
9	7328	Chain Bag - Com Att HDY ADP					1
10	*90453	3/8-16 U-bolt, RD Bend G5 ZP	3	3	3	3	3
11	*90361	3/8 SP Special Lock Washer ZP	6	6	6	6	6
12	*90334	3/8-16 HX Nut ZP	6	6	6	6	6
10	A6148K	U-Bolt Assembly					
11							
12							
13	A5108	Flexible Blade Guide	2	2	2	2	2
14	5022	Pin-Headgear Att	2				
15	308	Pin - Shoe	2				

* Part of 5427 Bolt Bag

- A. Assemble pushplates, push beam, headgear (1), cylinder protector and headgear braces as per the instructions in the peculiar attachments box.
- B. Assemble lift arm (2) to headgear (1) using machine pin (3) and cotter pin (4).
- C. Attach "A" Frame (5) to blade (6) with pivot pin (8). Pivot pin should be inserted down through the blade and A-frame. Use cotter pin (7) to secure pivot pin.
- D. Pull open connecting pins on pushbeam and lock open by turning handle until handles are behind pushbeam ear. Position rear "A" frame tabs between pushbeam ears so that holes are aligned with connecting pins. (When blade is down on level ground, "A" frame should be parallel to ground. Use whichever holes are necessary for proper alignment.) Release connecting pin handles to secure A-frame to pushbeam.
- E. To properly connect and adjust lift chain, first check to see that the lift cylinder is fully collapsed. (Place single lever control handle in the "Lower" position and push down on the lift arm). Attach lift chain (the longer of the two chains) to the forward set of holes (located closest to the blade) in the A-frame using two U-bolts (10), four lock washers (11) and four nuts (12). Place lift chain over lift arm hook. Secure carrying chain (shortest chain) to the passenger side of A-frame using one U-bolt (10), two lock washers (11) and two nuts (12).
- F. When not plowing, lift blade and connect carrying chain to slot in right rear headgear post. Remove slack from chain to support blade while in transit.
- G. Install blade guides (13), to the top bar.
- H. Grease or oil top of angle frame (underneath "A" frame, attached to blade), pivot pin, mushroom shoe stems and blade base angle pins.
- I. Leave installation instructions in cab of truck for snowplow owner.
- J. As the base angle wears, shoe spacers may be removed as required to keep edge correct distance above ground. Do not store removed spacers on stem of shoe or blade damage will result.
IMPORTANT: ALWAYS USE CARRYING CHAIN WHILE IN TRANSIT BETWEEN PLOWING SESSIONS.
- K. Use license plate bracket kit (PN 7413) to relocate the license plate for regions that require a visible license plate on the front of the vehicle. The 7413 kit is not contained in the common attachment kit and must be ordered separately.