

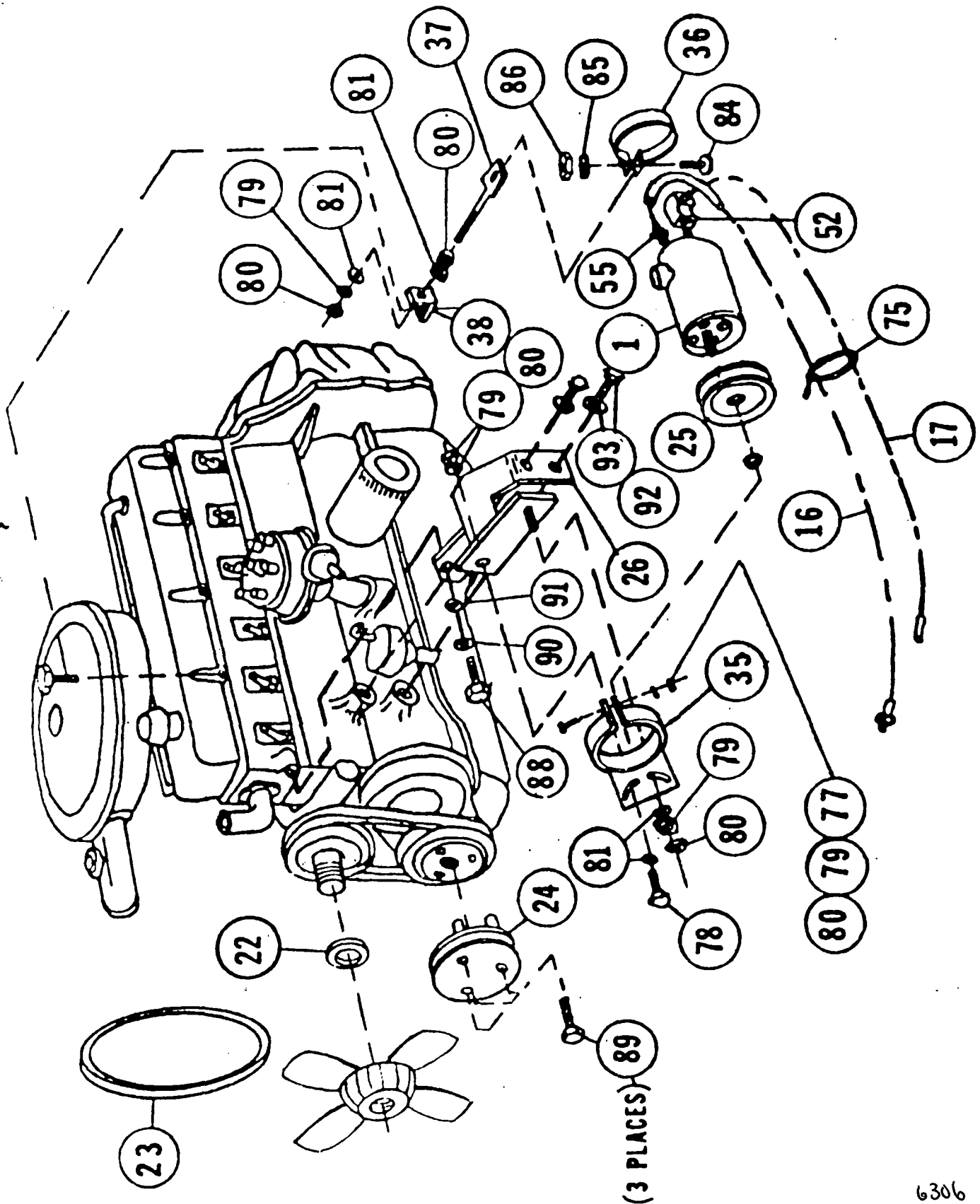
SERIES
G

FORD F150
6 CYL - 300
W/O AC

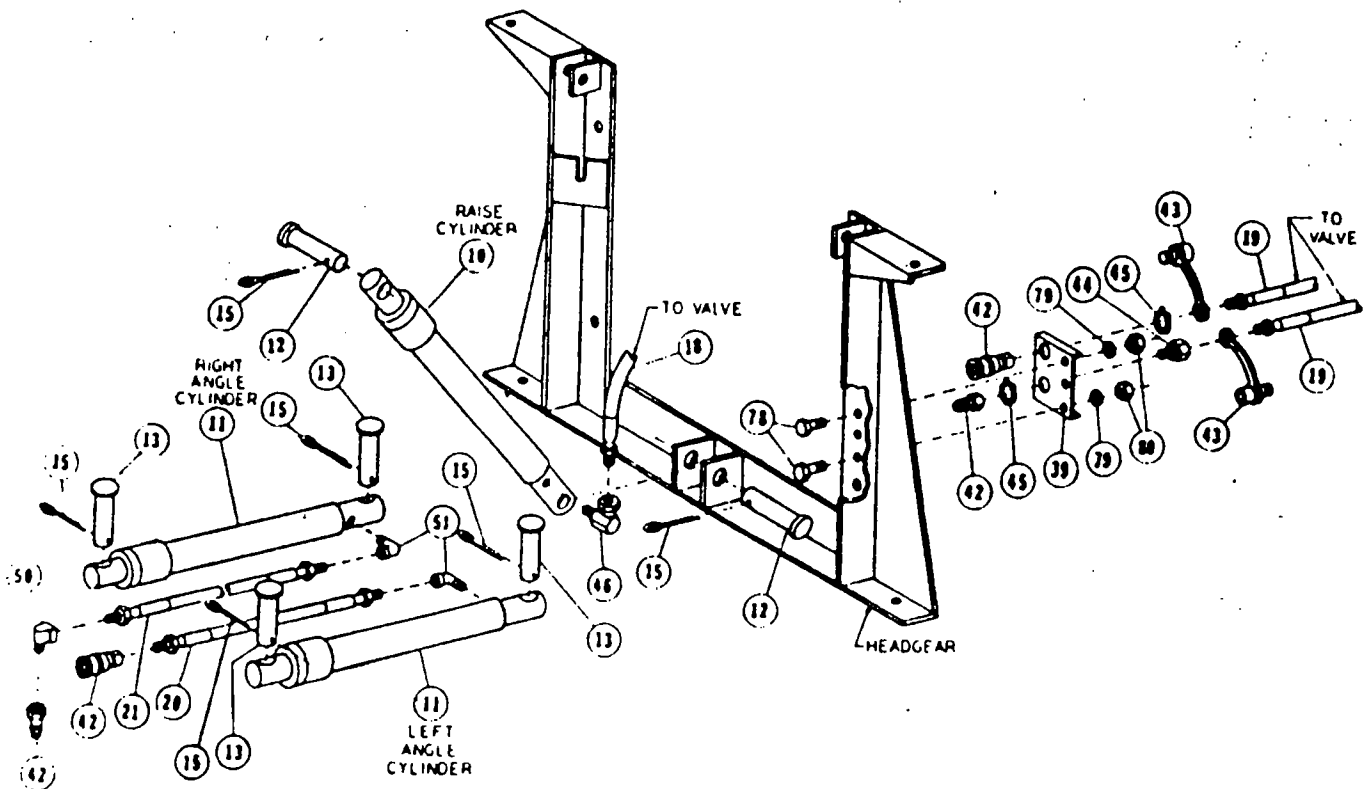
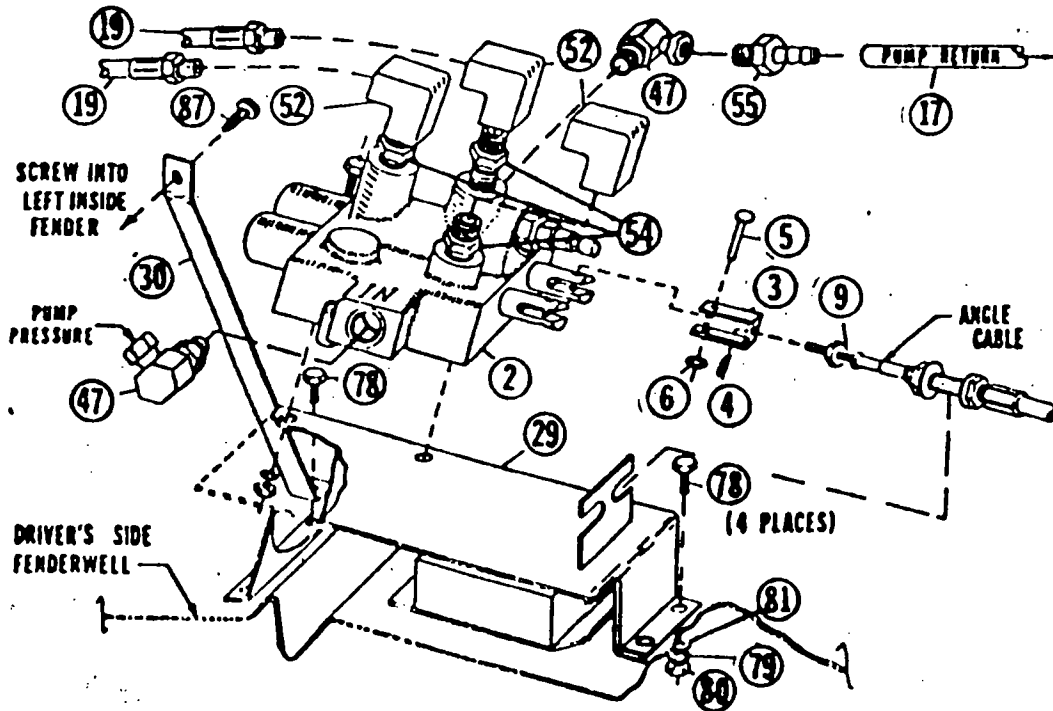
1983-1986

PECULIAR HYDRAULICS
BELT DRIVE, SLC
UNDERHOOD VALVE

HPS4544
REV. B



6306



SERIES
G




HYDRAULICS PARTS LIST

HPS4544 REV B
A4468

REF#	QTY IN KIT		PART#	DESCRIPTION
	A4468-40 HPS4544			* PART OF 6938 BOLT BAG
1	1		A2311	PUMP TANK ASSEMBLY
2	1		A4466	CONTROL VALVE ASSEMBLY
3	2		4483	CLEVIS
4	2		4494	10-32 SQUARE NUT
5	2		4491	CLEVIS PIN
6	2		4493	3/16 PUSH NUT
7				
8		1	4419	SINGLE LEVER CONTROL HEAD
9		2	4949	30" CONTROL CABLE, SLC
10	1		A318	10" LIFT CYLINDER ASSEMBLY
11	2		A3660	12" ANGLE CYLINDER ASSEMBLY
12	2		6814	CLEVIS PIN
13	4		6816	ANCHOR PIN
14				
15	6		90601	1/4 X 1-1/2 COTTER PIN
16		1	5223	32" H.P. HOSE, 1/4P TO 3/8P
17		1	5224	32" L.P. HOSE
18		1	5192	60" H.P. HOSE, 1/4P TO 1/4P
19		2	5193	54" H.P. HOSE, 1/4P TO 1/4P
20		1	376	32" H.P. HOSE, 1/4P TO 1/4P
21		1	4424	36" H.P. HOSE, 1/4P TO 1/4P
22		1	5588	* FAN SPACER
23		1	393	FAN BELT, 45"
24		1	5589	DRIVE SHEAVE
25		1	3696	PUMP SHEAVE
26		1	5182	PUMP BRACKET
27				
28				
29		1	5178	VALVE PLATE
30		1	5180	VALVE PLATE BRACE
31				
32				
33				
34				
35		1	4921	SADDLE BRACKET
36	1		2036	REAR TANK STRAP
37	1		2116	UNIVERSAL BRACE ROD
38		1	2115	* UNIVERSAL BRACE TAB
39		1	4467	DISCONNECT MOUNTING PLATE
40				
41				
42	2		A1587	DISCONNECT ASSEMBLY
43	2		1588	DUST PLUG
44		1	4486	* BULKHEAD ADAPTER
45		2	4485	* 7/8" SNAP RING
46	1		319	1/4" X 90 SWIVEL ADAPTER
47	2		2315	9/16 O.R. TO 3/8P X 90 SWL.ADPT.
48				
49				

REF# QTY IN KIT PART# DESCRIPTION
 A4468-40 HPS4544 * PART OF 6938 BOLT BAG

50		1	765	* 1/4" BRASS BAR STREET ELL
51	2		2780	1/4" BRASS BAR STREET ELL (FORGED)
52		4	2318	* 1/4" BRASS BAR ELBOW
53				
54		3	3058	* 9/16 O.R. TO 1/4 P. ADAPTER
55	2		1658	QUILL
56				
57				
58				
59				
60				
61				
62				
63				
64				
65				
66				
67				
68				
69				
70				
71				
72		1	5704	SAFETY DECAL
73	2		3042	GROMMET
74	1		4477	SPLIT HOSE GROMMET
75	3		3666	TIE WRAPS
76				
77	1		90054	5/16 X 1-1/2 (NC) GR. 5 CAPSCREW
78	4	3	90042	* 5/16 X 1 (NC) GR.5 CAPSCREW
79	6	3	90360	* 5/16 LOCKWASHER
80	7	3	90332	* 5/16 (NC) NUT
81	4	4	90313	* 5/16 FLATWASHER
82				
83				
84	1		90614	1/4 X 1-1/4 (NC) GR.5 CAPSCREW
85	1		90359	1/4 LOCKWASHER
86	1		90330	1/4 (NC) NUT
87		1	90432	* HEX HEAD SELF TAPP. SCREW 5/16 X 1
88		1	90103	* 3/8 X 1 (NC) GR. 5 CAPSCREW
89		3	90436	* 3/8 X 1-3/4 (NC) GR.5 NYLOC
90		1	90361	* 3/8 LOCKWASHERS
91		1	90315	* 3/8 FLATWASHER
92		2	90172	* 7/16 X 1 (NC) GR. 5 CAPSCREW
93		2	90362	* 7/16 LOCKWASHERS
94				

FASTENER TORQUE (FT-LB)			
DIAMETER- THREADS PER INCH	GRADE DESIGNATION		
	 GRADE 2	 GRADE 5	 GRADE 8
1/4 - 20	6	9	13
5/16 - 18	11	18	28
3/8 - 16	19	31	46
7/16 - 14	30	50	75
1/2 - 13	45	75	115
9/16 - 12	66	110	165
5/8 - 11	93	150	225
3/4 - 10	150	250	370
7/8 - 9	150	378	591
1 - 8	220	583	893