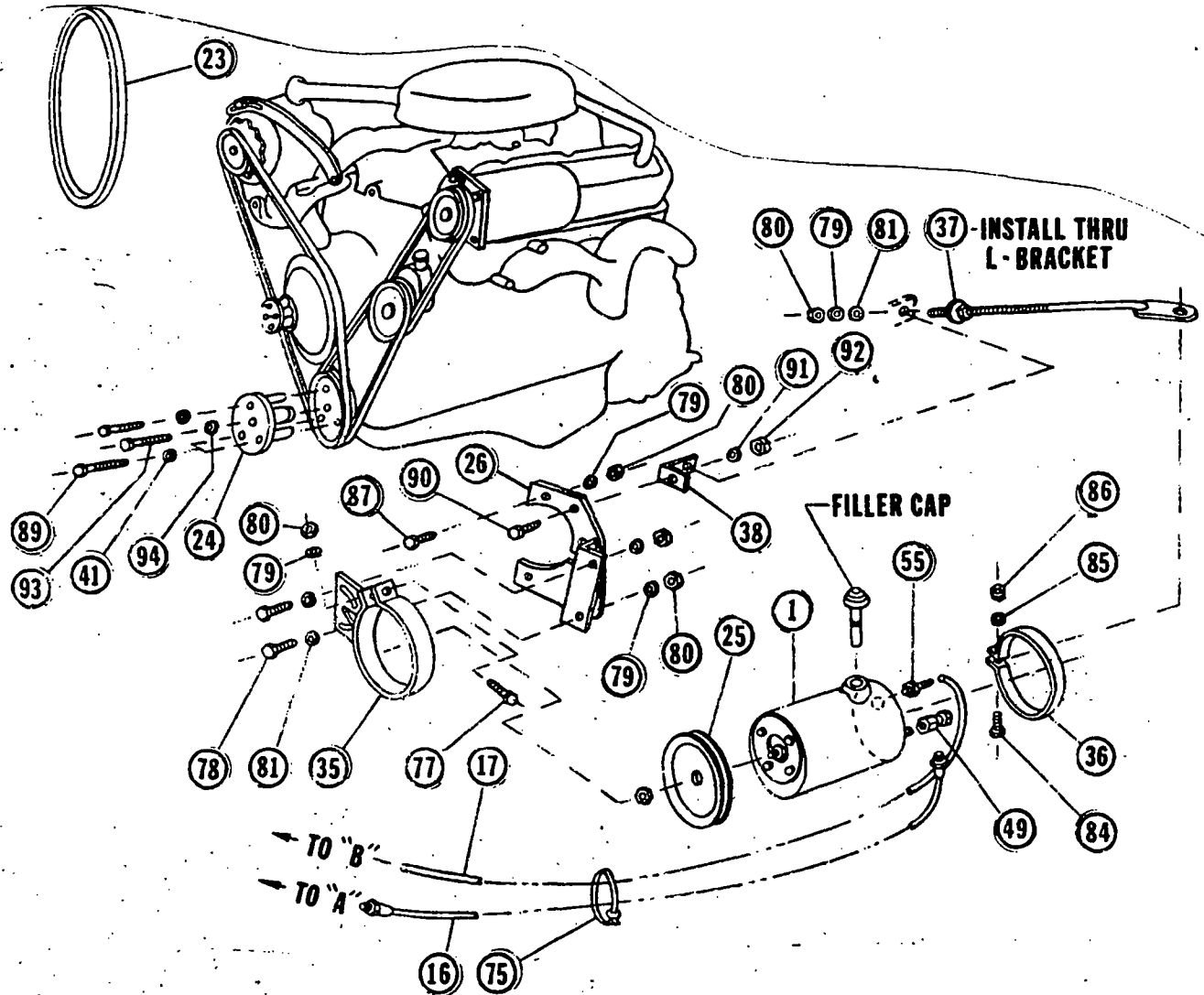
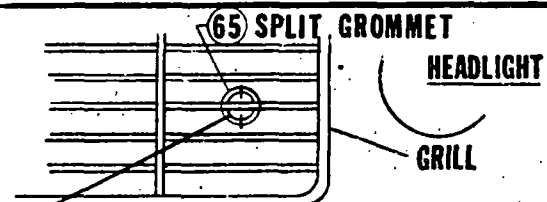
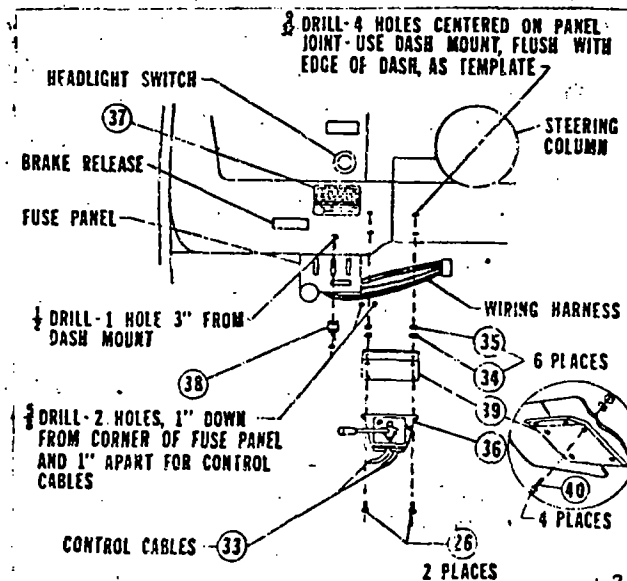
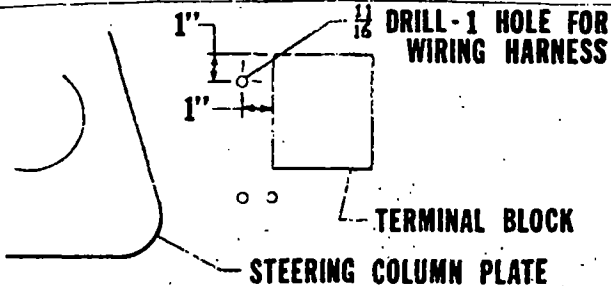


SERIES G	W OR W/O P.S.; RD/HD COOL W/ AC	1973 - 1980	SINGLE LEVER CONTROL B.D. UNDERHOOD VALVE	HPS4507B
-------------	------------------------------------	-------------	--	----------

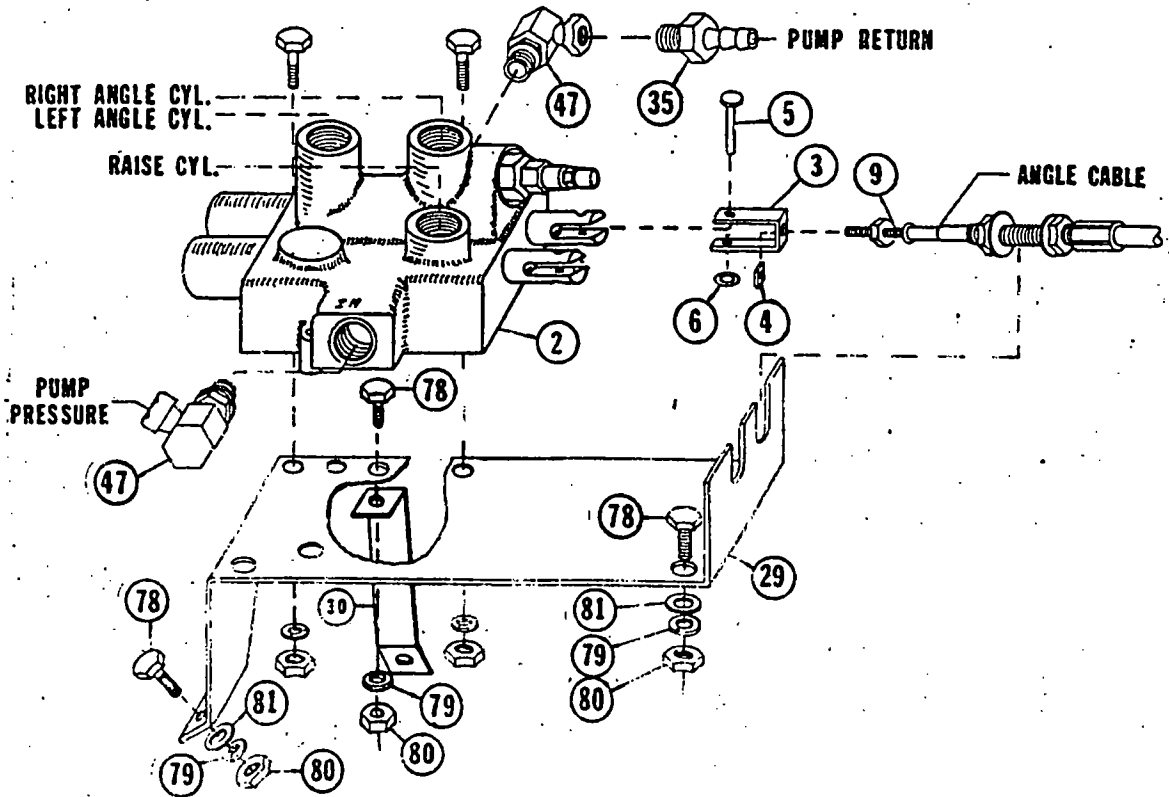
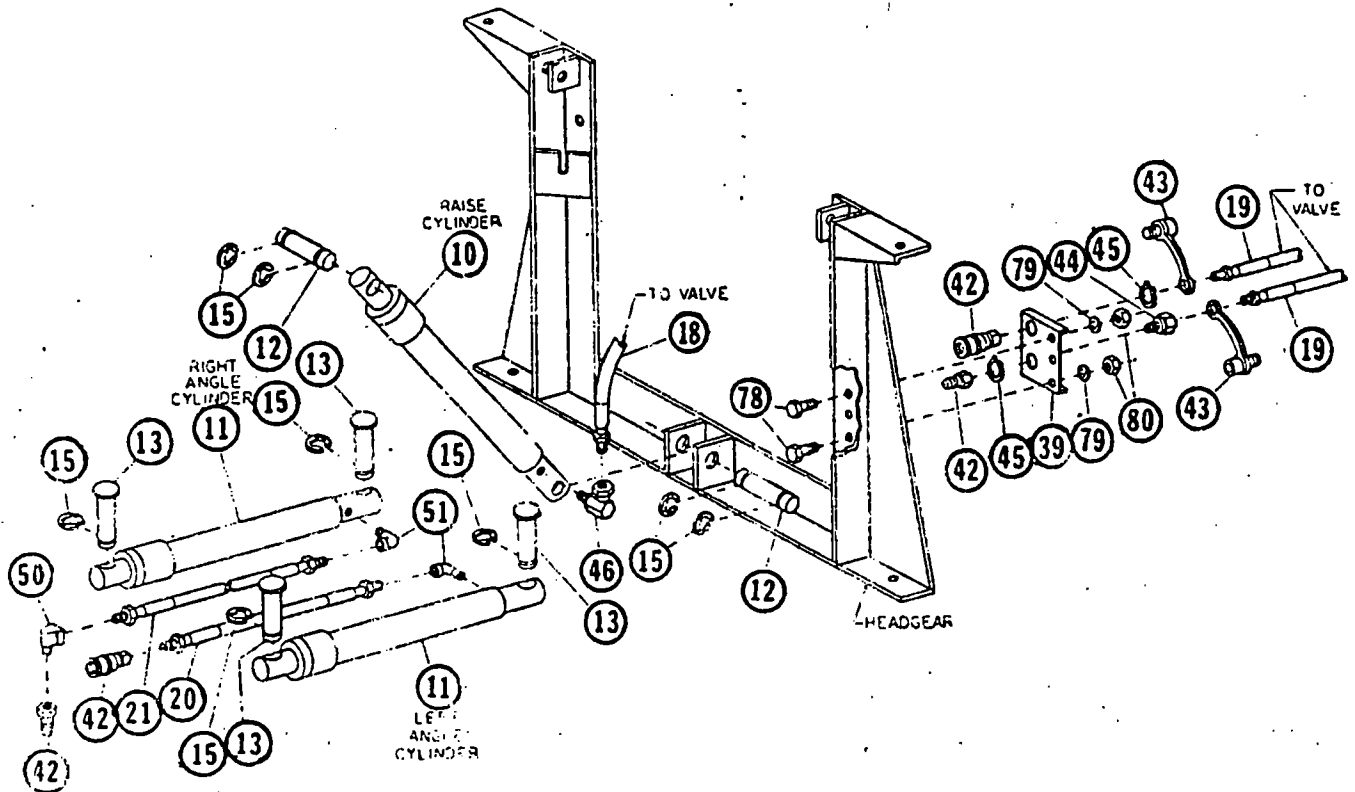


**DRILLING GUIDE
FIREWALL & GRILL**

DRILLING GUIDE - DASH



1 1/2" HOLE SAW - FROM ENGINE COMPARTMENT - REMOVE DIFFERENTIAL VENT LINE SCREW AND USE HOLE AS PILOT. RELOCATE VENT LINE.



1973-80 CHEV.; GMC

HYDRAULIC PARTS LIST

VEHICLE EQUIP. VB-307, 350, 400, W/AC

HPS4507

A446B

REF #	QUAN	IN KIT	P/N	DESCRIPTION
	A446B	HPS4507		
1	1		A2311	PUMP TANK ASSEMBLY
2	1		A4466	CONTROL VALVE ASSEMBLY
3	2		4483	CLEVIS
4	2		4494	10-32 SQUARE NUT
5	2		4491	CLEVIS PIN
6	2		4493	3/16 PUSH NUT
7				
8		1	4419	SINGLE LEVER CONTROL HEAD
9		2	4488	40" CONTROL CABLE, SLC
10	1		A318	10" LIFT CYLINDER ASSEMBLY
11	2		A3660	12" ANGLE CYLINDER ASSEMBLY
12	2		314	CLEVIS PIN
13	4		883	ANCHOR PIN
14				
15	8		330	RETAINING RINGS
16		1	2707	26" H.P. HOSE, 1/4P TO 3/8P
17		1	4471	26" L.P. HOSE
18		1	1665	60" H.P. HOSE, 9/16 O-RING TO 1/4P
19		2	1664	54" H.P. HOSE, 9/16 O-RING TO 1/4P
20		1	376	32" H.P. HOSE, 1/4P TO 1/4P
21		1	4424	36" H.P. HOSE, 1/4P TO 1/4P
22				
23		1	850	FAN BELT, 66"
24		1	3822	DRIVE SHEAVE
25		1	3696	PUMP SHEAVE
26		1	4350	PUMP BRACKET
27				
28				
29		1	5780	VALVE PLATE
30		1	5781	VALVE PLATE BRACE
31				
32				
33				
34				
35		1	4921	SADDLE BRACKET
36	1		2036	REAR TANK STRAP
37	1		2116	UNIVERSAL BRACE ROD
38		1	2115	BRACE TAB
39		1	4467	DISCONNECT MOUNTING PLATE
40				
41		3	4268	SPACER WASHER
42	2		A1587	DISCONNECT ASSEMBLY
43	2		1588	DUST PLUG
44		1	4486	BULKHEAD ADAPTER
45		2	4485	7/8" SNAP RING
46	1		319	1/4" X 90 SWIVEL ADAPTER
47	2		2315	9/16 O.R. TO 3/8P X 90 SWL. ADPT.
48				
49		1	1659	ADAPTER UNION, 1/4 F.P.T. BOTH ENDS

PARTS LIST, HPS4507 CON'T

REF #	QUAN	IN KIT	P/N	DESCRIPTION
	A4468	HPS4507		
50		1	765	1/4" BRASS BAR STREET ELL
51	2		2780	1/4" BRASS BAR STREET ELL (FORGED)
52				
53				
54				
55	2		1658	QUILL
56				
57				
58				
59				
60				
61				
62				
63				
64				
65				
66				
67				
68				
69				
70				
71				
72		1		SAFETY DECAL
73	2		3042	GROMMET
74	1		4477	SPLIT HOSE GROMMET
75	3		3666	TIE WRAPS
76		2		5/16 (NF) NUT
77	1			5/16 X 1-1/2 (NC) GR. 5 CAPSCREW
78	4	3		5/16 X 1 (NC) CAPSCREW
79	6	4		5/16 LOCKWASHER
80	7	2		5/16 (NC) NUT
81	4	3		5/16 FLATWASHER
82				
83				
84	1			1/4 X 1-1/4 (NC) CAPSCREW
85	1			1/4 LOCKWASHER
86	1			1/4 (NC) NUT
87		2		5/16 X 1-1/4 (NF) GR. 5 CAPSCREW
88				
89		3		3/8 X 4 (NF) GR 5 CAPSCREW
90		1		3/8 X 1 (NC) CAPSCREW
91		1		3/8 LOCKWASHER
92		1		3/8 (NC) NUT
93		1		7/16 X 5-1/4 (NF) GR. 5 CAPSCREW
94		1		7/16 FLATWASHER