

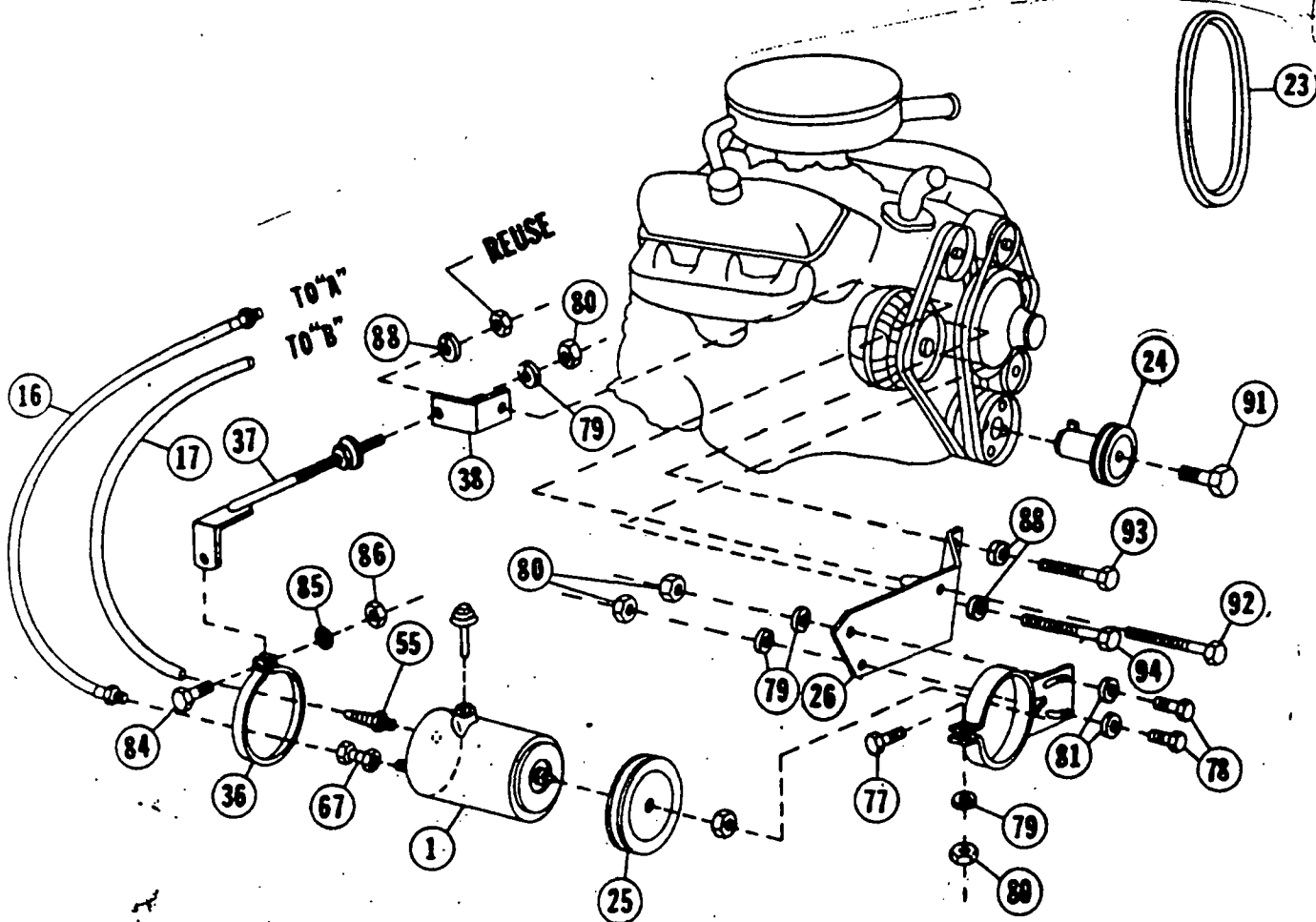
SERIES  
G

DODGE V8-360 W/DUAL SMOG  
PUMP & 114 AMP.ALT

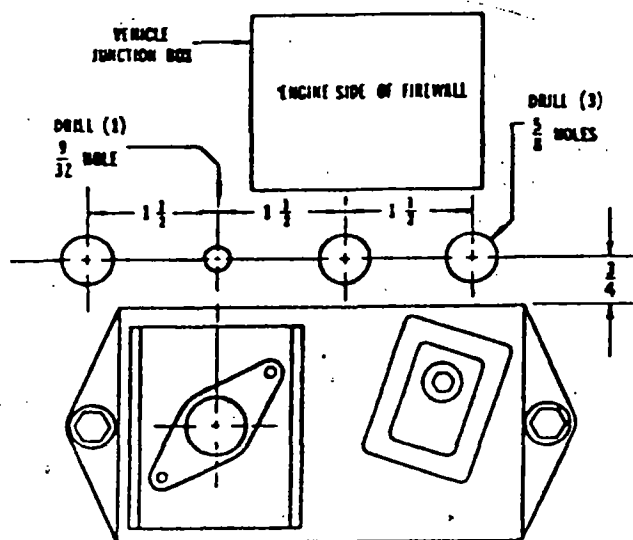
1985-1986

PECULIAR HYDRAULICS, SLC  
B.D UNDERHOOD VALVE

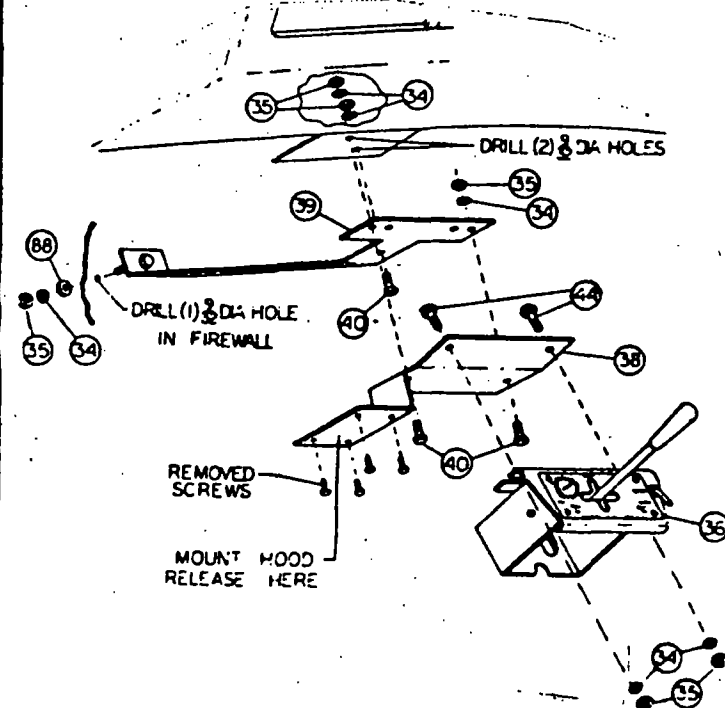
HPS4569

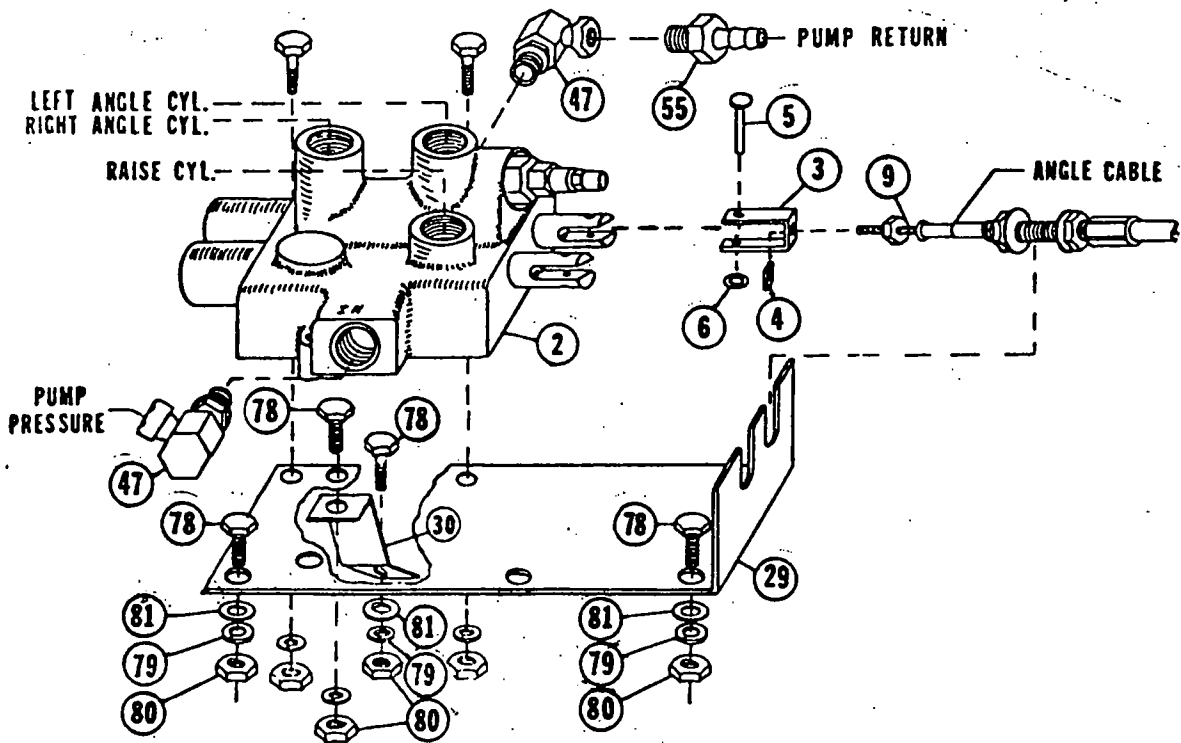
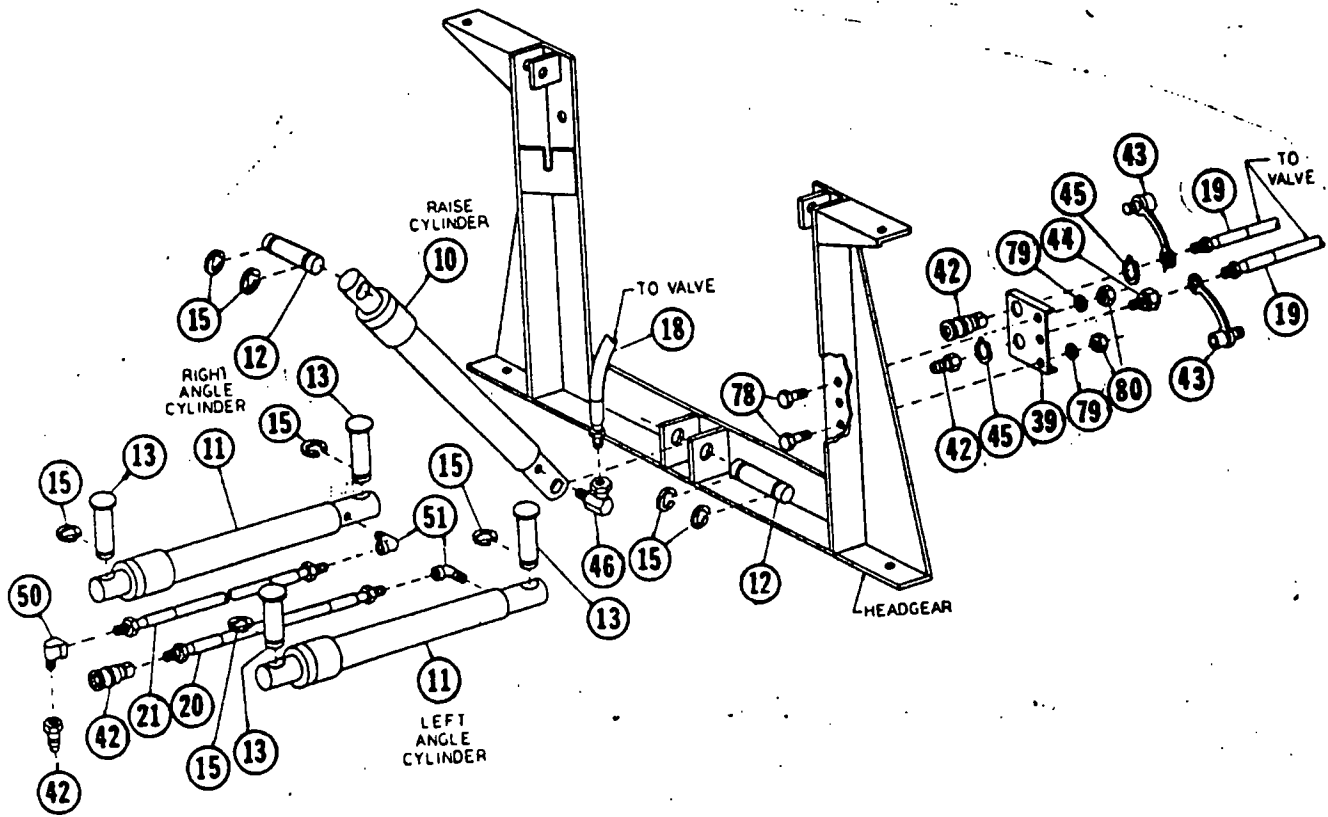


DRILLING GUIDE - FIREWALL



DRILLING GUIDE - DASH





1985-86 DODGE

HYDRAULIC PARTS LIST

HP54569

A4468

VEHICLE EQUIP. V8-360 W/ DUAL SMOG PUMP AND 114 AMP.ALT

REF #	QUAN IN KIT		P/N	DESCRIPTION
	A4468	HP54569		
1	1		A2311	PUMP TANK ASSEMBLY
2	1		A4466	CONTROL VALVE ASSEMBLY
3	2		4483	CLEVIS
4	2		4494	10-32 SQUARE NUT
5	2		4491	CLEVIS PIN
6	2		4493	3/16 PUSH NUT
7				
8		1	4419	SINGLE LEVER CONTROL HEAD
9		2	4949	30" CONTROL CABLE, SLC
10	1		A318	10" LIFT CYLINDER ASSEMBLY
11	2		A3660	12" ANGLE CYLINDER ASSEMBLY
12	2		314	CLEVIS PIN
13	4		883	ANCHOR PIN
14				
15	8		330	RETAINING RINGS
16		1	2504	60" H.P. HOSE, 1/4P TO 3/8P
17		1	2519	66" L.P. HOSE
18		1	1665	60" H.P. HOSE, 9/16 O-RING TO 1/4P
19		2	1664	54" H.P. HOSE, 9/16 O-RING TO 1/4P
20		1	376	32" H.P. HOSE, 1/4P TO 1/4P
21		1	4424	36" H.P. HOSE, 1/4P TO 1/4P
22				
23		1	691	FAN BELT, 60"
24		1	5041	DRIVE SHEAVE
25		1	3696	PUMP SHEAVE
26		1	5944	PUMP BRACKET
27				
28				
29		1	5329	VALVE PLATE
30		1	4476	VALVE PLATE BRACE
31				
32				
33				
34				
35		1	4921	SADDLE BRACKET
36	1		2036	REAR TANK STRAP
37	1		2116	UNIVERSAL BRACE ROD
38		1	2115	UNIVERSAL BRACE TAB
39		1	4467	DISCONNECT MOUNTING PLATE
40				
41				
42	2		A1587	DISCONNECT ASSEMBLY
43	2		1588	DUST PLUG
44		1	4486	BULKHEAD ADAPTER
45		2	4485	7/8" SNAP RING
46	1		319	1/4" X 90 SWIVEL ADAPTER
47	2		2315	9/16 O.R. TO 3/8P X 90 SWL.ADPT.
48				
49		1	1659	ADAPTER UNION, 1/4 F.P.T. BOTH ENDS

50		1	765	1/4" BRASS BAR STREET ELL
51	2		2780	1/4" BRASS BAR STREET ELL (FORGED)
52				
53				
54				
55	2		1658	QUILL
56				
57				
58				
59				
60				
61				
62				
63				
64				
65				
66				
67				
68				
69				
70				
71				
72	1			SAFETY DECAL
73	2		3042	GROMMET
74	1		4477	SPLIT HOSE GROMMET
75	3		3666	TIE WRAPS
76				
77	1			5/16 X 1-1/2 (NC) GR. 5 CAPSCREW
78	4	3		5/16 X 1 (NC) CAPSCREW
79	6	3		5/16 LOCKWASHER
80	7	3		5/16 (NC) NUT
81	4	3		5/16 FLATWASHER
82				
83				
84	1			1/4 X 1-1/4 (NC) CAPSCREW
85	1			1/4 LOCKWASHER
86	1			1/4 (NC) NUT
87				
88		3		3/8 LOCKWASHER
89				
90				
91		1		3/4 X 6 (NF) GR. 5 CAPSCREW
92		1		3/8 X 7-1/2 (NC) GR. 5 CAPSCREW
93		1		3/8 X 5-1/2 (NC) GR. 5 CAPSCREW
94		1		3/8 X 6-1/2 (NC) GR. 8 CAPSCREW