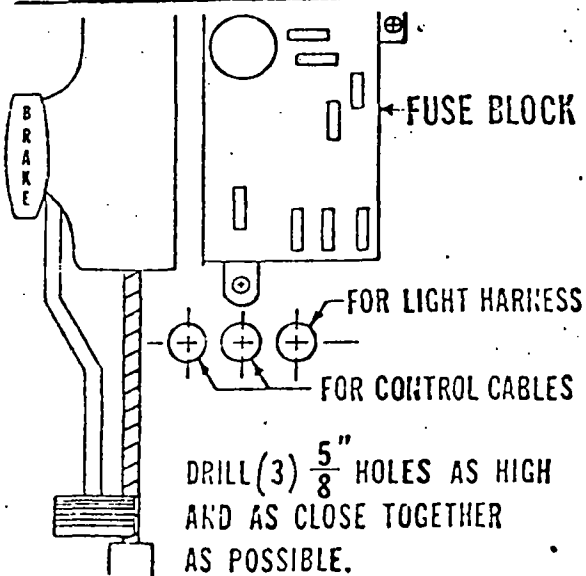
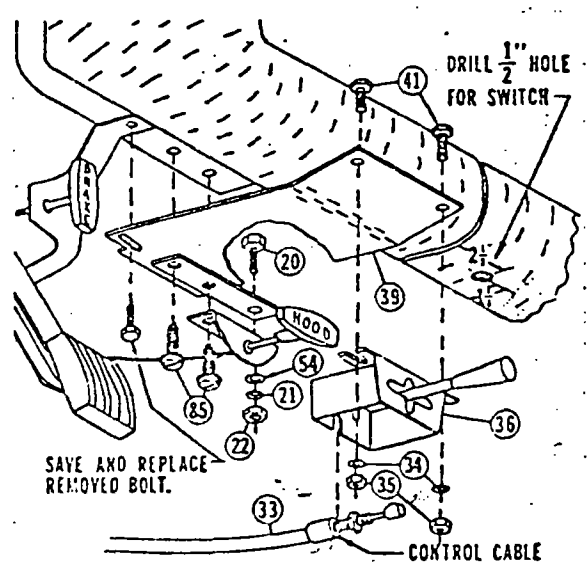


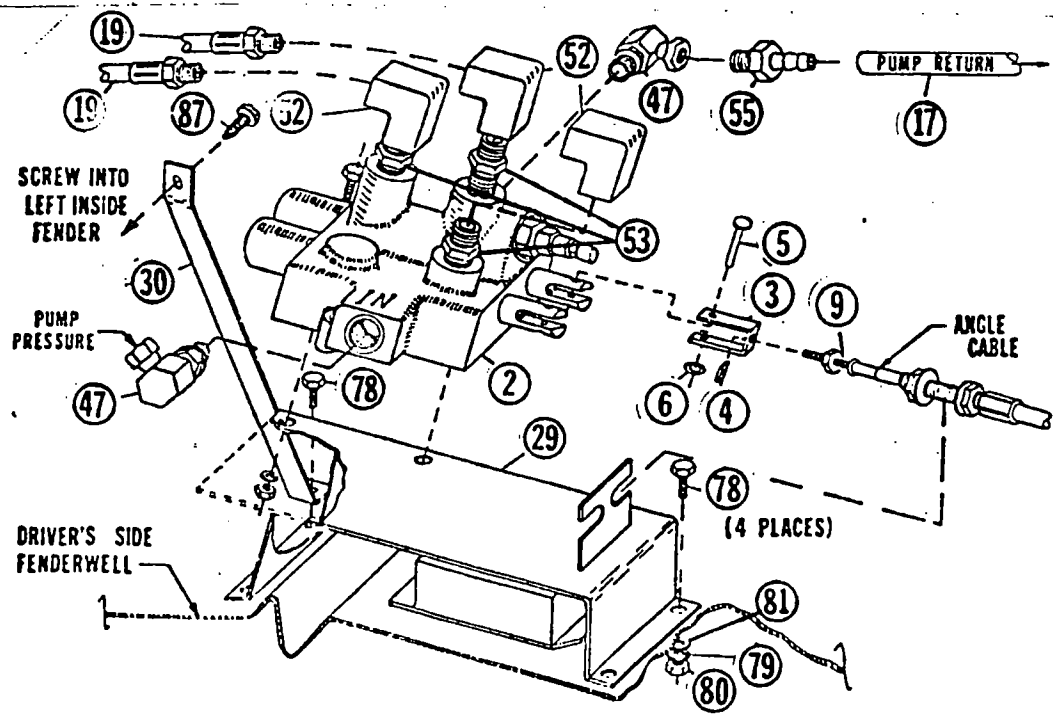
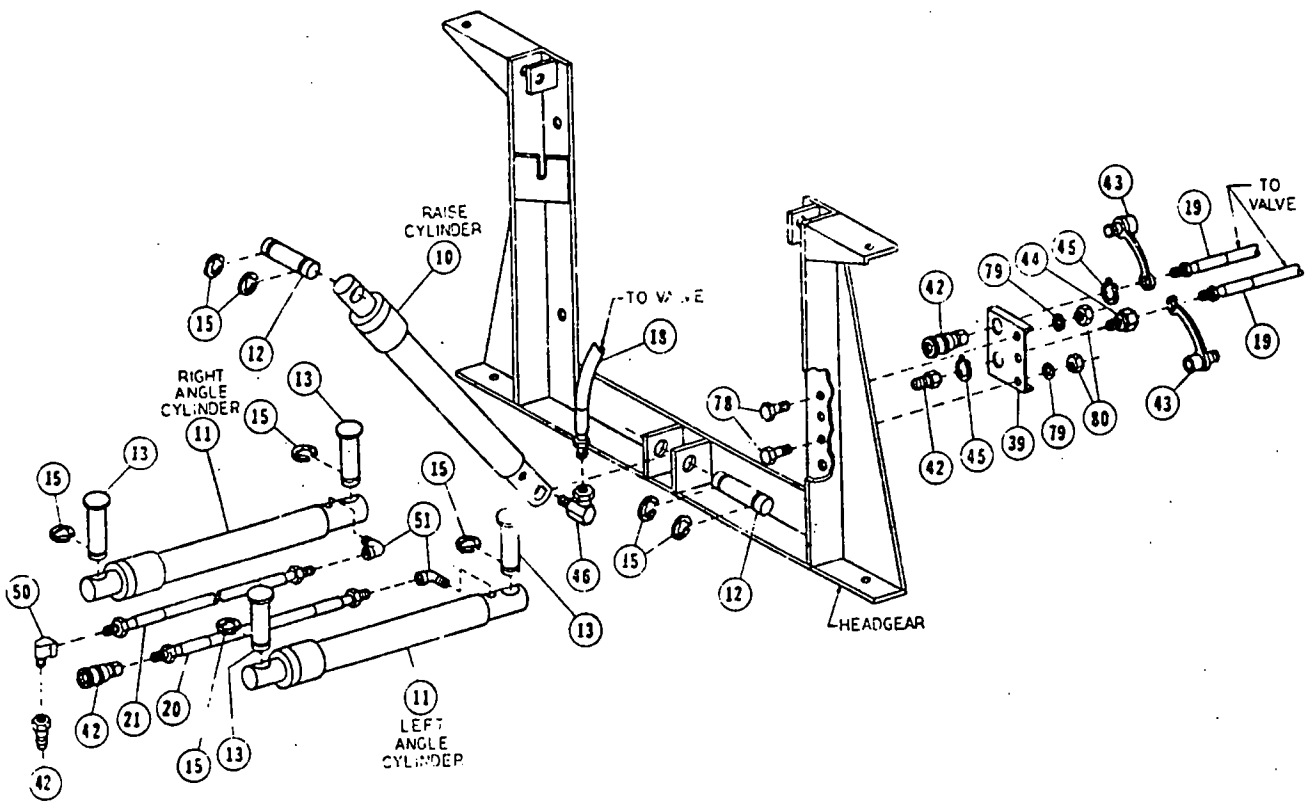
FIREWALL DRILLING GUIDE



DASH INSTALLATION ILLUSTRATION



SERIES G	FORD V8-302 W/P.S., ASD, REG. FAN	1982-1984	PECULIAR HYDRAULICS, B.D. U/H VALVE	HPS4531
-------------	--------------------------------------	-----------	--	---------



SERIES G	FORD V8-302 W/P.S., ASD; REG. FAN		1982 -1984	PECULIAR HYDRAULICS, B.D. SLC, UNDERHOOD VALVE	HPS4531 A4468
	REF. NO.	QUANTITY REQUIRED IN		PART NO.	DESCRIPTION
	A4468	HPS4531			
1	1		A318	CYLINDER ASSEMBLY (10")	
2	1		319	SWIVEL ADAPTER	
3	2		314	CLEVIS PIN	
4	8		330	RETAINING RING	
5		1	376	32" H.P. HOSE (1/4 P to 1/4 P) H TO C	
6	2		A1587	DISCONNECT ASSEMBLY	
7		1	4424	36" H.P. HOSE (1/4 P to 1/4P) H TO C	
8		1	765	1/4 BRASS BAR STREET ELL	
9	2		A3660	CYLINDER ASSEMBLY (12")	
10	2		2780	BR ASS ELL (FORGED)	
11	4		883	ANCHOR PIN	
12		1	4467	DISCONNECT MOUNTING PLATE	
13	1		A4466	CONTROL VALVE ASSEMBLY	
14	*		2315	90° SWIVEL ADAPTER (SHORT)	
15	2		1658	QUILL	
16		1	5192	60" H.P. HOSE (1/4 P to 1/4 P) V TO C	
17	2		1588	DUST PLUG	
18					
19		1	5178	VALVE PLATE	
20	4	4		5/16 x 1 CAPSCREW (NC)	
21	6	4		5/16 LOCKWASHER	
22	7	4		5/16 NUT (NC)	
23	2		4483	CLEVIS	
24	2		4494	10-32 SQUARE NUT	
25	2		4491	CLEVIS PIN 1"	
26					
27	2		4493	PUSH NUT (3/16)	
28					
29	2		4908	BUSHING	
30	2		3042	GROMMET	
31		2	4485	7/8" SNAP RING	
32		1	4486	BULKHEAD ADAPTER	
33		2	4949	30" CONTROL CABLE, SLC	
34					
35					
36		1	4419	SINGLE LEVER CONTROL HEAD	
37	1			SAFETY DECAL	
38		1	5180	VALVE PLATE BRACE	
39		1			
40					
41					
42					
43					
44		2		3/8 x 3/4 CAPSCREWS (NC) - GRADE 5	
45		2		3/8 LOCKWASHERS	
46		1	5235	PUMP BRACKET	
47		1		7/16 x 3/4 CAPSCREW (NC) - GRADE 5	
48		1		7/16 LOCKWASHER	
49	1		A2311	PUMP TANK ASSEMBLY	
50					
51		2	5193	54" H.P. HOSE (1/4 P to 1/4 P) (V TO H)	
52		1	3696	PUMP SHEAVE	
53		1	4921	SADDLE BRACKET, UNIVERSAL	

SERIES G	FORD V8-302 W/P.S., ASD; REG. FAN	1982 - 1984	PECULIAR HYDRAULICS, B.D. SLC, UNDERHOOD VALVE	HPS4531 A4468
-------------	--------------------------------------	-------------	---	------------------

REF. NO.	QUANTITY REQUIRED IN		PART NO.	DESCRIPTION
	A4468	HPS4531		
54	4	4		5/16" FLATWASHER
55				
56	1		2036	STRAP
57	1		2116	ROD
58	1			1/4 x 1 CAPSCREW (NC)
59	1			1/4 LOCKWASHER
60	1			1/4 NUT (NC)
61		1	5223	32" H.P. HOSE (1/4 P to 3/8 P (P TO V)
62		1	5224	32" L.P. HOSE (P TO V)
63	3		3666	TIE WRAP
64	1			5/16 x 1-1/2 CAPSCREW (NC), GRADE 5
65	1		4477	3/8" SPLIT HOSE GROMMET
66		1	2115	UNIVERSAL BRACE TAB
67		4	2318	1/4" BRASS BAR ELL
68				
69				
70		1		5/8 x 6 CAPSCREW (NF) GRADE 5
71				
72				
73				
74				
75		1	5459	DRIVE SHEAVE
76				
77		1	361	BELT 4L 490
78				
79				
81				
81				
82				
83				
84				
85		1	4487	5/16 x 1 HEX HEAD, SELF TAPPING SCREW
86		3	3058	1/4 P to 9/16 O-RING STRAIGHT ADAPTER MALE BOTH ENDS

*QUANTITY OR PART NUMBER WILL VARY WITH VALVE DESIGN.