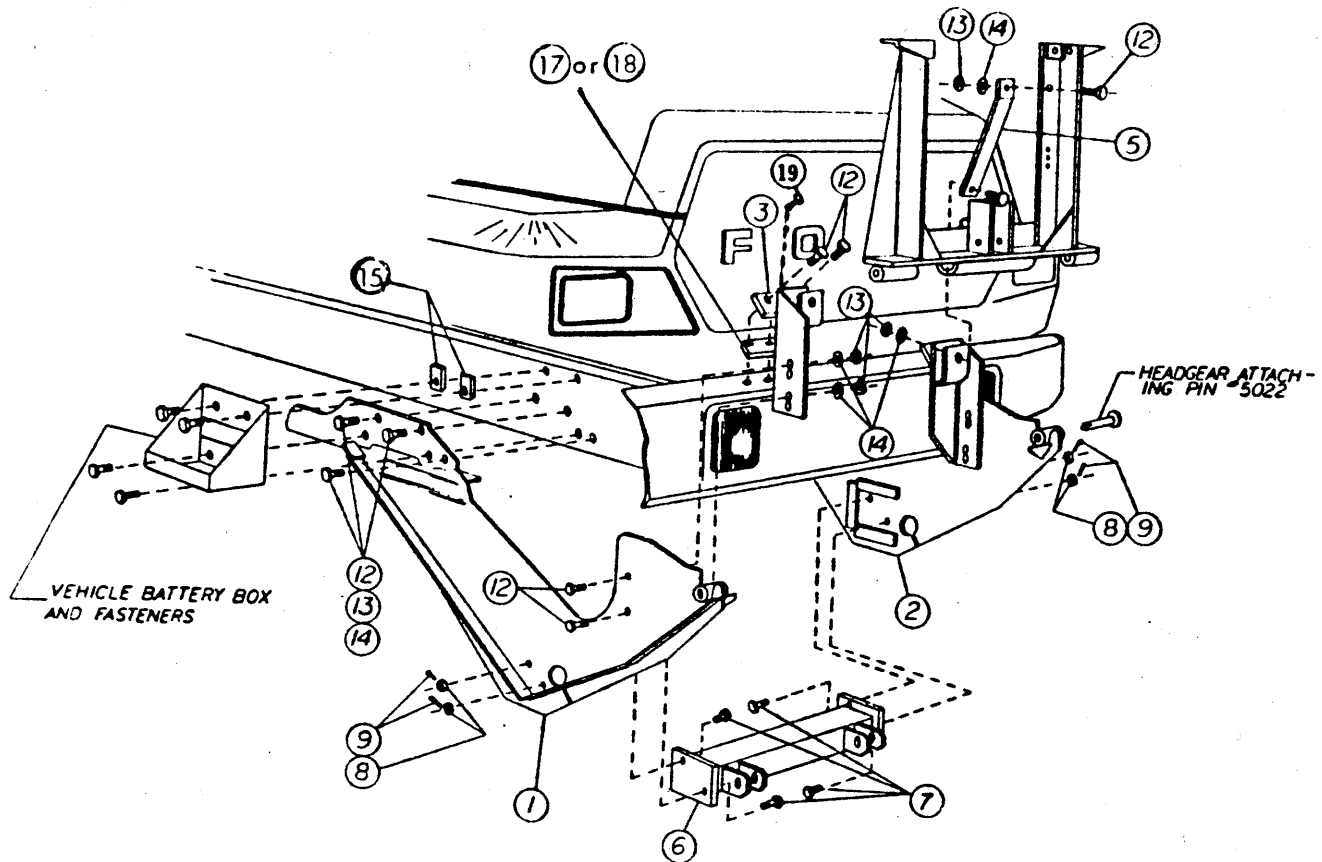


Ford
F600 & F700

1980-94



Parts List

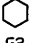


Ref #	Part #	Qty	Description	Ref #	Part #	Qty	Description
1	7231	1	Pushplate - Passenger Side	13	*90343	23	5/8 (NC) Nuts
2	7230	1	Pushplate - Driver Side	14	*90366	23	5/8 Lock washers
3	7243	1	Hanger - Passenger Side	15	*5273	2	Spacer Blocks
4	7244	1	Hanger - Driver Side	16	*5458	2	Commercial Connecting Pin
5	7237	2	Head gear Brace	17	7246	2	3/8 Spacer (use only if needed)
6	5234	1	Pushbeam - 36-1/2	18	*7245	2	1/2 Spacer
	*A1122	4	Beam Bolt Assembly including:	19	*90249	6	5/8 x 2-1/2 (NC) Gr. 5 Cap Screw
7	*5005	4	5/8 x 1-1/2 (NC) Gr. 5 Cap Screw	20	*5194	2	Hairpin Cotter - 1/4 x 5"
8	*90446	4	5/8 (NC) Castled Nut		*4289	2	3/4 x 1-7/8 Machine Pin
9	*90012	4	3/16 x 1-3/4 Cotter		90658	2	5/32 x 1-1/4 Cotter Pin
12	*90244	17	5/8 x 1-1/2 (NC) Gr. 5 Cap Screw		A5872	1	Dash Bracket Bag

* Part of 7250 Bolt Bag

IMPORTANT NOTICES:

Because of the many variations in Ford F600 and F700 trucks, these few preliminary notes have been included to help simplify the installation of your Fisher snowplow.

1. If your vehicle has a gas engine, the battery and/or associated hardware will have to be removed to install the passenger-side pushplate then reinstall in its original location. If your vehicle has a diesel engine, disregard all instructions concerning the vehicle battery
2. Some vehicles have rubber inner fender flaps. If your vehicle is so equipped the fender flaps must be moved while installing pushplates.
3. The most unpredictable variation is the frame to bumper relationship on certain models. The bumper may be mounted lower with respect to the frame center line. If this is the case, when the rear angle of the pushplate is bolted to the pushplate, there will be a gap of about 7/8" between the bolting bar on the hanger and the top flange of the bumper. A spacer will fill the gap (on vehicles with tilt hood, spacers cannot be used.) On 1984 vehicles, the bumper hanger will attach to the forward most set of holes on the pushplate.

NC FASTENER TORQUE (FT-LB)			
DIAMETER- THREADS PER INCH	GRADE		
			
1/4 - 20	6	9	13
5/16 - 18	11	18	28
3/8 - 16	19	31	46
7/16 - 14	30	50	75
1/2 - 13	45	75	115
9/16 - 12	66	110	165
5/8 - 11	93	150	225
3/4 - 10	150	250	370
7/8 - 9	150	378	591
1 - 8	220	583	893

- A. Remove the top two flat head bolts holding the bumper to the bumper brackets and discard the flat washers under head of bolts (on some vehicles, discard bolt and ream hole to 5/8 " diameter.) Install pushplate hangers, driver side (4) and passenger-side (3), to bumper just inboard of the large square cutouts using the previously removed bolts. On some vehicles use 5/8 x 2-1/2 cap screws (22) through center holes in hangers. These bolts go through the hangers and into the holes they were removed from. Do not install nuts.
- B. To install driver-side pushplate (2) remove the rear bottom bolt holding front motor mount cross member to frame. Remove rubber spring bumper from bottom flange of frame. Remove nut from stud holding inner fender flap. Slide driver-side pushplate under the truck keeping it outside of pushplate, hanger, spring, frame and inside of steering box arm and pitman arm with rear angle section over axle.
- C. Attach driver-side pushplate to outside of installed hanger with one 5/8 x 1-1/2 cap screw (12) lock washer (14) and nut (13). Pivot rear of pushplate up onto frame and attach by reinstalling rubber spring bumper up through angle section of pushplate and into hole in frame flange that bumper was removed from. Reinstall brake line bracket. Reinstall cross member bolt removed from step "B". Install two 5/8 x 1-1/2 cap screw (22) into the two top holes in rear angle section of pushplate, through frame and fasten with lock washers (14) and nuts (13). Reinstall brake line clip with original bolt. Install second lock washer (14) and nut (13). Leave all fasteners loose.
- D. To install passenger-side pushplate (1), first remove battery cover, battery, battery box and battery box shield. Remove brake hose bracket (outside of frame). Remove rubber spring bumper from bottom flange of frame. Remove the rear bottom bolt holding the front motor mount cross member to the frame. Remove nut from stud holding inner fender flap. Slide passenger-side pushplate under truck keeping it outside of pushplate hanger, spring and frame with rear angle section over the axle.
- E. Attach passenger-side pushplate (1) outside of the installed hanger with one 5/8 x 1-1/2 cap screw (12), lock washer (14) and nut (13). Pivot rear of pushplate up into frame and attach by reinstalling rubber spring bumper up through angle section of pushplate and into hole in frame flange that bumper was removed from. Reinstall brake hose bracket onto outside of angle section, frame and heat shield. Reinstall cross member bolt removed in step "D". Install a second 5/8 x 1-1/2 cap screw (12) through pushplate hanger and pushplate. Fasten with lock washer (14) and nuts (13) in the top two holes of rear angle section of the pushplate (the heads of these bolts must be on the outside of the angle frame.) Leave all bolts loose.

- F. Place the spacer block (15) over the top two holes in frame that the battery box mounts to. Mount the battery and/or battery box shield onto rear angle section of pushplate and the two spacer bolts using the original bolts through the frame with nuts on inside of frame.
- G. Slide pushbeam (6) between pushplates into beam blocks and attach with four drilled beam bolts (7) and castled nuts (8) on each end of beam. Leave bolts loose.
- H. Starting with the rubber spring bumpers, tighten all bolts securing rear angle section of pushplates to the frame. With bolts holding each hanger (3,4) to pushplates kept loose, check fit of hanger bolting bar to top flange of the bumper. If the bolting bar rests on the top flange of the bumper or is very close to it, attach using the vehicle bumper bolt, lock washers and nut. If the spacers (17,18) are used, use one 5/8 x 1-1/2 cap screw (12), lock washer (14) and nut in each brace.
- I. Finish tightening all fasteners in this order:
1. Tighten all other cap screws (7) and castled nuts (8) located on the pushbeam. Secure using one 3/16 cotter pin (9) in each bolt.
 2. Starting at the rear and moving forward, tighten all other fastener and nuts in the pushplates, hangers and headgear.
 3. Using the two remaining holes in the rear angle section of the driver-side pushplate (and passenger side of diesel) as a guide, ream out the holes in the frame. Install and tighten one 5/8 x 1-1/2 cap screw (12) or one 5/8 x 2-1/2 cap screw (22) (if spacer was used), lock washer (14) and nut (13) in each hole. Install the second 5/8 x 1-1/2 cap screw (12) lock washer (14) and nut (13) through hanger and pushplate on each side.
 4. Reinstall nuts on inner fender flaps. Check all fasteners making sure they are all tight.