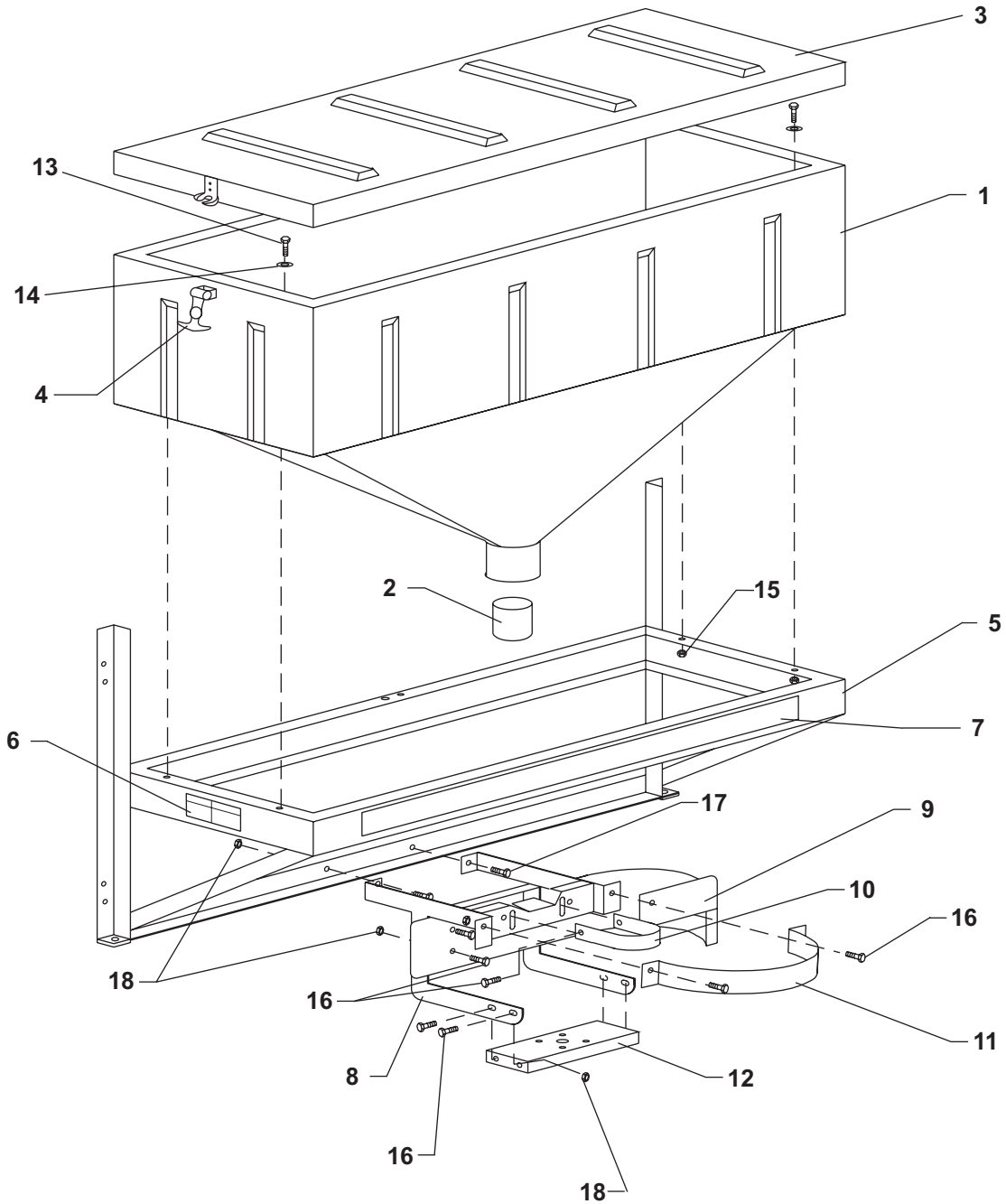




110 Series Hopper Components Parts List

September 17, 1998

Doc. No. 68663



NOTE: Part of 21934 kit

- over -

110 Series Hopper Components Parts List

110 Series Hopper Parts List							
Item	Part	Qty	Description	Item	Part	Qty	Description
1	P2120Y	1	Hopper Assembly – 110	10	68738	1	Lower Fixture Clamp
2	P2003	1	Throat Liner	11	P2023	1	Spinner Guard
3	P2001Y	1	Hopper Lid (Black only)	12	P2020	1	Bearing Plate
4	P3045	1	Lid Latch Kit (includes straps, hooks and all mounting hardware)	13	M2049*	4	1/4"-20 x 1" Cap Screw
5	P2008	1	Main Frame – 110	14	M2059*	4	1/4" Plain Washer
6	68584	2	Label – Warning/Caution	15	M2006*	4	1/4"-20 Locknut
7	P3178	1	Label Identification – 110	16	M2002*	10	3/8"-16 x 3/4" Cap Screw
8	P3028	1	H-Frame Assembly	17	M2003*	2	3/8"-16 x 1" Cap Screw
9	P2022	1	Deflector Plate	18	M2005*	12	3/8"-16 Locknut
* available as a service parts kit only (5 pieces per package)							

Copyright© 1998 Douglas Dynamics, L.L.C. All rights reserved. This material may not be reproduced or copied, in whole or in part, in any printed, mechanical, electronic, film or other distribution and storage media, without the written consent of Fisher Engineering. Authorization to photocopy items for internal or personal use by Fisher Engineering outlets is granted.

Fisher Engineering reserves the right under its product improvement policy to change construction or design details and furnish equipment when so altered without reference to illustrations or specifications used herein. Fisher Engineering and the vehicle manufacture may require and/or recommend optional equipment for snow and ice control. Fisher Engineering offers a limited warranty for all spreaders and accessories. See separately printed page for this important information. The following are registered trademarks of Douglas Dynamics, L.L.C.: FISHER®.

Printed in USA