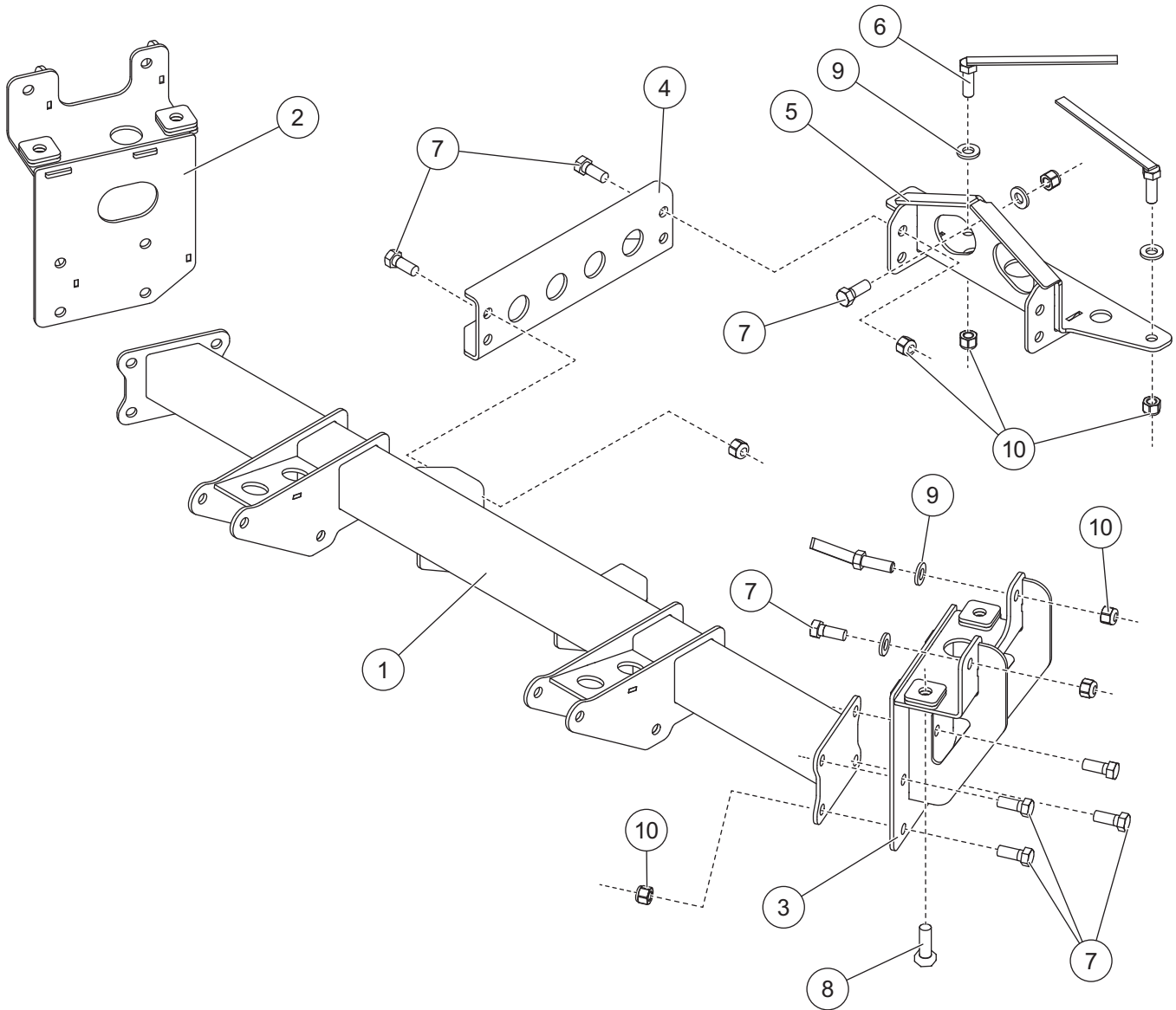


PARTS LIST



33925-1 Mount Kit							
Item	Part	Qty	Description	Item	Part	Qty	Description
1	74437	1	Mount Beam	5	74447	1	Rear Thrust Assembly
2	74438	1	Hanger Assembly – PS	6	21590	4	1/2-13 x 1-1/2 Hex Cap Screw G5 w/Handle, 7"
3	74439	1	Hanger Assembly – DS	ns	74335	1	Bolt Bag
4	74446	2	Thrust Arm	74335 Bolt Bag			
				7		7	1/2 Hardened Flat Washer, Type 1
				8		23	1/2-13 Hex Locknut GB
			ns = not shown			M = Metric	G = Grade

Copyright © 2021 Douglas Dynamics, LLC. All rights reserved. This material may not be reproduced or copied, in whole or in part, in any printed, mechanical, electronic, film, or other distribution and storage media, without the written consent of the company. Authorization to photocopy items for internal or personal use by the company's outlets or snowplow owner is granted.

The company reserves the right under its product improvement policy to change construction or design details and furnish equipment when so altered without reference to illustrations or specifications used. This equipment manufacturer or the vehicle manufacturer may require or recommend optional equipment for snow removal. Do not exceed vehicle ratings with a snowplow. The company offers a limited warranty for all snowplows and accessories. See separately printed page for this important information.

Printed in U.S.A.
