

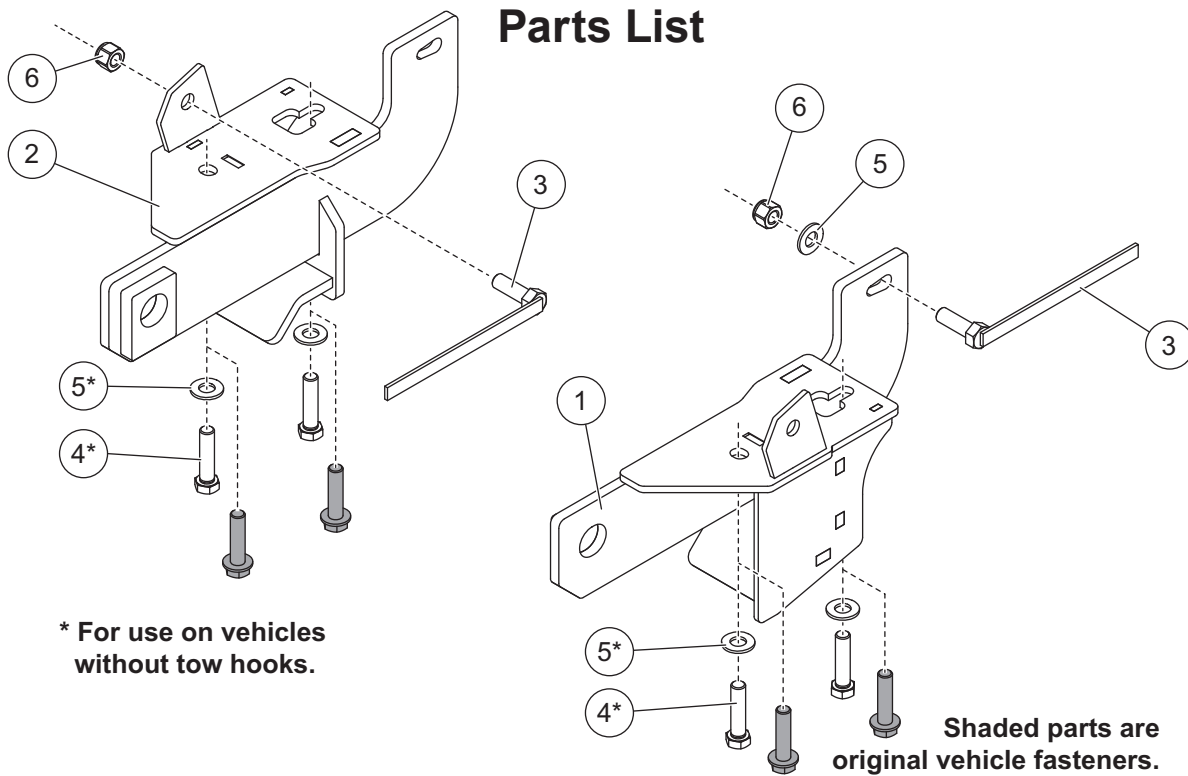


Minute² SYSTEM

MOUNT KIT

Nissan Titan XD

2016 - ___



| 77106 Mount Kit | | | | | | |
|-----------------|-------|-----|-----------------------------------|-----------|-------|---|
| Item | Part | Qty | Description | Item | Part | Qty Description |
| 1 | 70590 | 1 | Mount – DS | 3 | 21590 | 4 1/2-13 x 1-1/2 Hex Cap Screw G5 with Handle |
| 2 | 70591 | 1 | Mount – PS | ns | 70593 | 1 Bolt Bag |
| 70593 Bolt Bag | | | | | | |
| 4 | | 4 | M12-1.25 x 40 Hex Cap Screw G10.9 | 6 | | 4 1/2-13 Locknut GB |
| 5 | | 6 | 1/2 Hardened Flat Washer | 7 | | |
| | | | ns = not shown | G = Grade | | |

Copyright © 2018 Douglas Dynamics, LLC. All rights reserved. This material may not be reproduced or copied, in whole or in part, in any printed, mechanical, electronic, film, or other distribution and storage media, without the written consent of Fisher Engineering. Authorization to photocopy items for internal or personal use by Fisher Engineering outlets or snowplow owner is granted.

Fisher Engineering reserves the right under its product improvement policy to change construction or design details and furnish equipment when so altered without reference to illustrations or specifications used. Fisher Engineering or the vehicle manufacturer may require or recommend optional equipment for snow removal. Do not exceed vehicle ratings with a snowplow. Fisher Engineering offers a limited warranty for all snowplows and accessories. See separately printed page for this important information. The following are registered (®) trademarks of Douglas Dynamics, LLC: FISHER®, Minute Mount® 2.

Printed in U.S.A.
