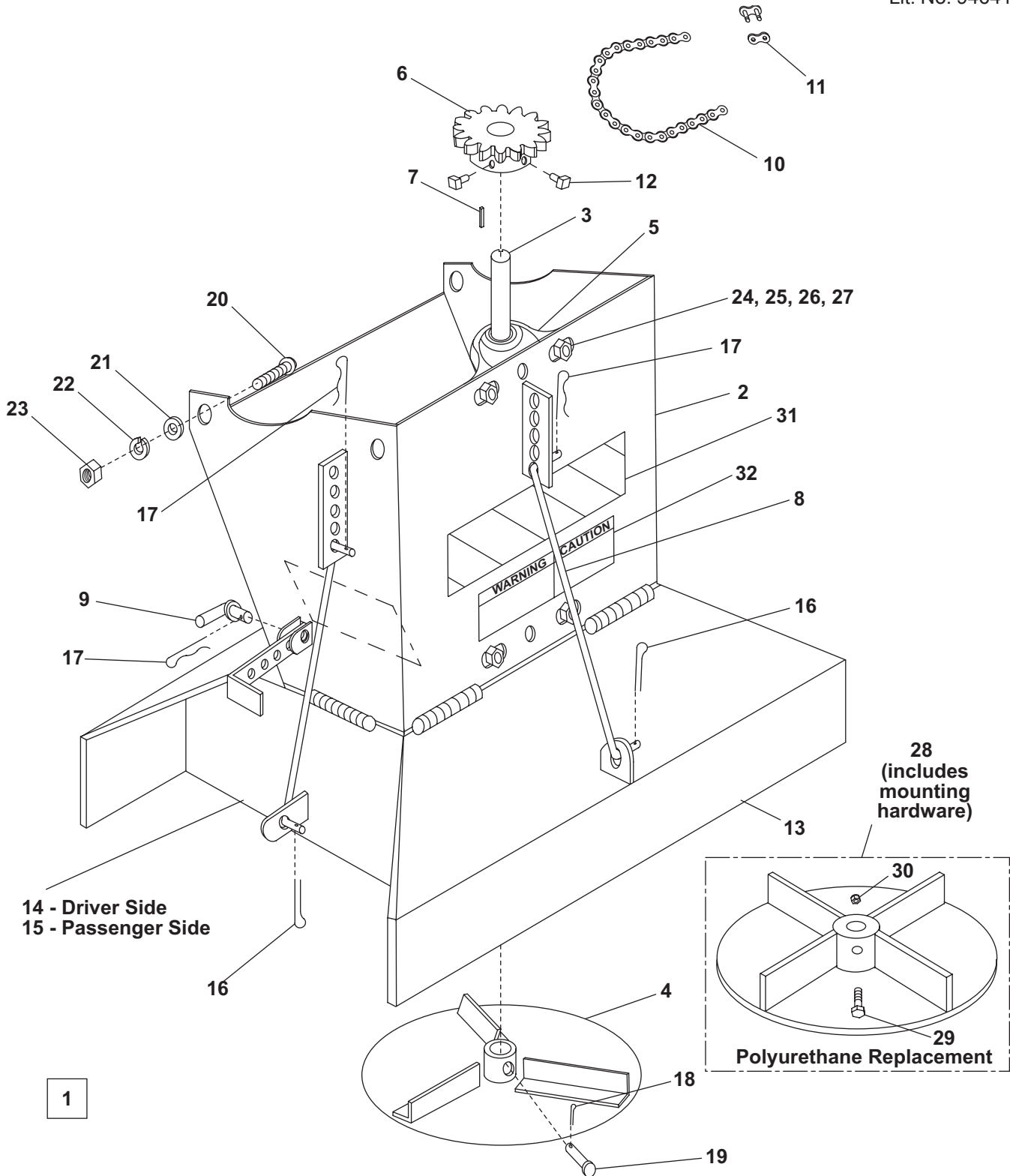




# Regular Capacity Chute Assembly Parts List - 9031, 9032, 9189, 9194

November 15, 2000  
Lit. No. 94641



This parts list is for FISHER® Hopper Spreaders with serial numbers 4809 and higher.

- over -

## Regular Capacity Chute Assembly Parts List - 9031, 9032, 9189, 9194

Regular Capacity Chute Assembly Parts List							
Item	Part	Qty	Description	Item	Part	Qty	Description
1	9189	1	Chute Assembly – 14” Regular Capacity Mild Steel	15	68874	1	Baffle Kit, Passenger Side Mild Steel
1	9031	1	Chute Assembly – 14” Regular Capacity Stainless Steel	15	68875	1	Baffle Kit, Passenger Side Stainless Steel
1	9194	1	Chute Assembly – 26” Regular Capacity Mild Steel	16	91004	3	1/8” x 3/4” Cotter Pin
1	9032	1	Chute Assembly – 26” Regular Capacity Stainless Steel	17	9261	5	3/32” x 2-1/4” Hairpin Cotter
2	9298	1	Chute Housing Assembly – 14” Regular Capacity Mild Steel	18	91022	1	1/16” x 1/2” Cotter Pin
2	20092	1	Chute Housing Assembly – 14” Regular Capacity Stainless Steel	19	9265	1	1/4” x 1-1/2” Clevis Shear Pin
2	9299	1	Chute Housing Assembly – 26” Regular Capacity Mild Steel	20	90965	4	3/8”-16 x 1” Carriage Bolt Zinc Plated
2	20093	1	Chute Housing Assembly – 26” Regular Capacity Stainless Steel	20	91023	4	3/8”-16 x 1” Carriage Bolt Stainless Steel
3	9191	1	Spinner Shaft Regular Capacity 14” Chute	21	90315	4	3/8” Plain Washer Zinc Plated
3	9192	1	Spinner Shaft Regular Capacity 26” Chute	21	91006	4	3/8” Plain Washer Stainless Steel
4	9196	1	Spinner Disk, Regular Capacity Mild Steel	22	90361	4	3/8” Lock Washer Zinc Plated
4	20095	1	Spinner Disk, Regular Capacity Stainless Steel	22	91007	4	3/8” Lock Washer Stainless Steel
5	9193	2	3/4” Pillow Block Bearing	23	90334	4	3/8”-16 Hex Nut Zinc Plated
6	9187	1	Sprocket, #40 x 24T x 3/4” ID	23	91008	4	3/8”-16 Hex Nut Stainless Steel
7	9197	1	Machine Key, 3/16” Square x 1”	24	94321	4	7/16”-14 x 1-1/2” Carriage Bolt
8	9195	3	Control Rod – 10”	25	94322	4	7/16” Plain Washer Stainless Steel
9	9201	2	Adjustment Pin	26	94323	4	7/16” Lock Washer Stainless Steel
10	68351	1	#40 Roller Chain, 26-1/2” Long with Master Link	27	94324	4	7/16”-14 Hex Nut Stainless Steel
11	20353	1	#40 Roller Chain Master Link	28	94514	1	Spinner Kit (Polyurethane)
12	68843	1	Parts Bag – Spinner Set Screws	29	94498	1	1/4”-20 x 2-1/4” Hex Cap Screw Stainless Steel
13	68815	1	Baffle Kit, Rear – Mild Steel	30	67076	1	1/4”-20 Hex Locknut Stainless Steel
13	68816	1	Baffle Kit, Rear – Stainless Steel	31	68737	1	Reflective Strip – Red/White
14	68900	1	Baffle Kit, Driver Side Mild Steel	32	68595	1	Label – Warning/Caution
14	68901	1	Baffle Kit, Driver Side Stainless Steel				

Copyright© 2000 Douglas Dynamics, L.L.C. All rights reserved. This material may not be reproduced or copied, in whole or in part, in any printed, mechanical, electronic, film or other distribution and storage media, without the written consent of Fisher Engineering. Authorization to photocopy items for internal or personal use by Fisher Engineering outlets is granted.

Fisher Engineering reserves the right under its product improvement policy to change construction or design details and furnish equipment when so altered without reference to illustrations or specifications used herein. Fisher Engineering and the vehicle manufacturer may require and/or recommend optional equipment for hopper spreaders. Fisher Engineering offers a limited warranty for all hopper spreaders and accessories. See separately printed page for this important information. The following is a registered® trademark of Douglas Dynamics, L.L.C.: FISHER®.

Printed in USA