



**Fisher Engineering**

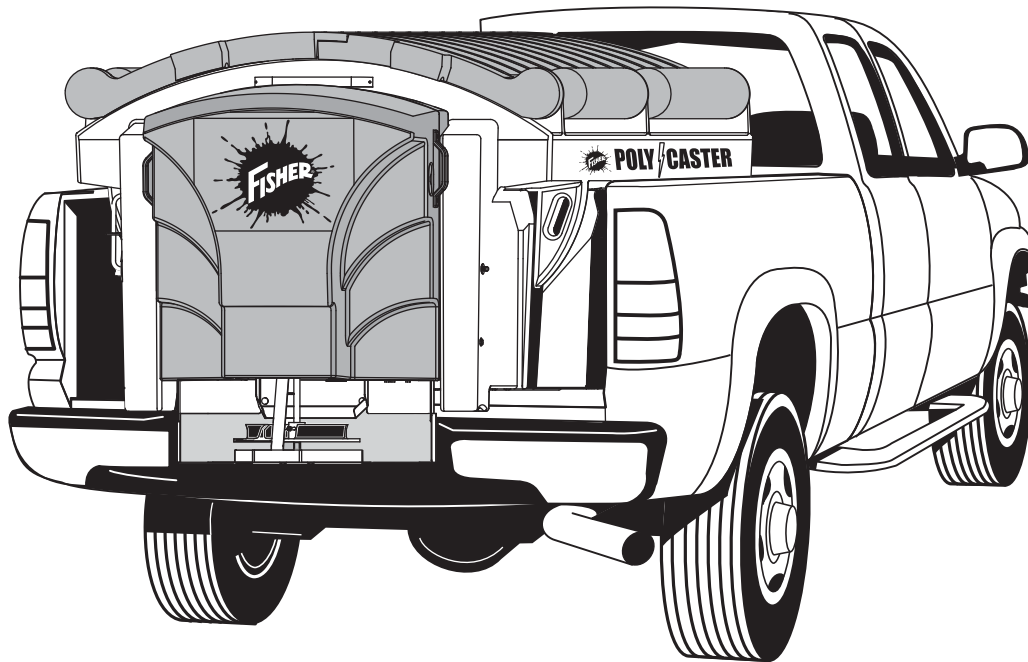
50 Gordon Drive, Rockland, Maine 04841-2139 • www.fisherplows.com

**78001-1, 78004-1,  
78007-1**

December 1, 2020  
Lit. No. 99763, Rev. 04

# **POLY-CASTER™ Hopper Spreader**

## **Installation Instructions**



**⚠ CAUTION**

**Read this document before installing  
or operating the spreader.**

These Installation Instructions are for FISHER® POLY-CASTER Hopper Spreaders  
with serial numbers beginning with 160201– 201210.

**A DIVISION OF FISHER, LLC**



# SAFETY

## SAFETY DEFINITIONS

### **⚠ WARNING**

Indicates a potentially hazardous situation that, if not avoided, could result in death or serious personal injury.

### **⚠ CAUTION**

Indicates a potentially hazardous situation that, if not avoided, may result in minor or moderate injury. It may also be used to alert against unsafe practices.

**NOTE:** Indicates a situation or action that can lead to damage to your spreader and vehicle or other property. Other useful information can also be described.

## WARNING/CAUTION LABELS

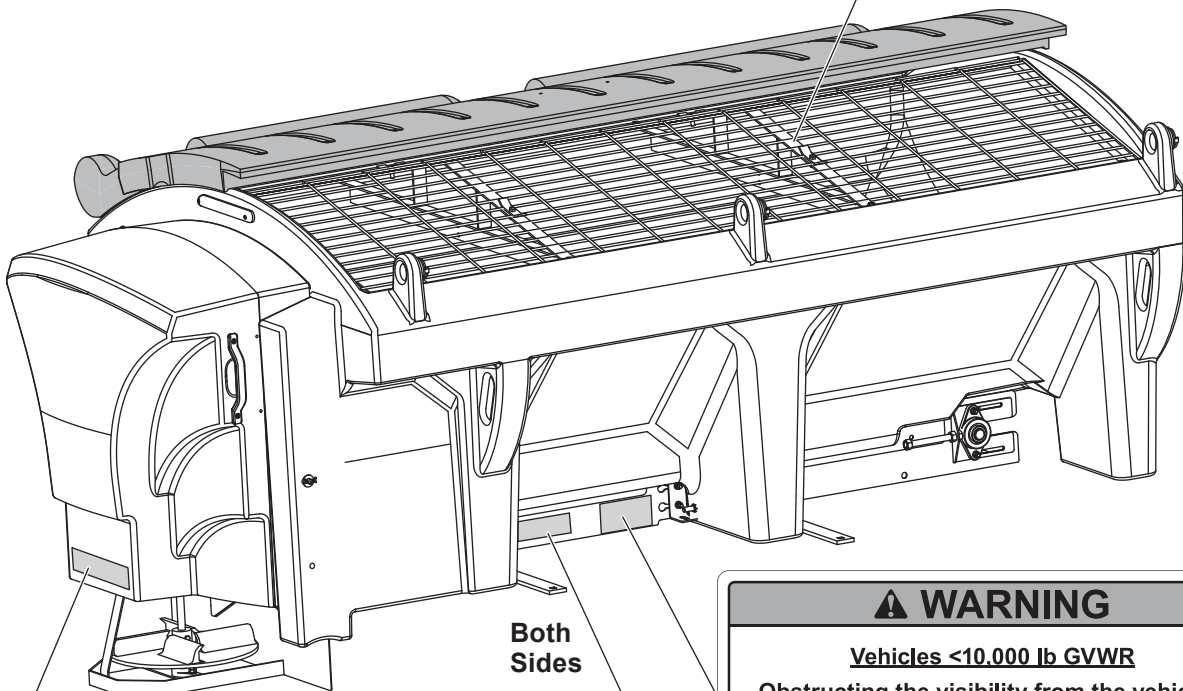
Become familiar with and inform users about the warning and caution labels on the spreader.

**NOTE:** If labels are missing or cannot be read, see your sales outlet.

### **⚠ CAUTION**

Do not lift spreader by this member. Lifting here could cause personal injury and property damage.

67272



### **⚠ WARNING**

**Vehicles <10,000 lb GVWR**  
Obstructing the visibility from the vehicle's rear camera could result in serious injury or damage. An auxiliary camera system shall be installed if the vehicle's rear camera is removed or blocked.

11106,00



### **⚠ WARNING**

- DO NOT exceed GVWR or GAWR with spreader and load.
- Turn spreader OFF before filling, adjusting or cleaning.
- Bystanders to stay a minimum of 25 feet away from operating spreader.
- DO NOT climb into or ride on spreader.
- Keep hands, feet and clothing away from moving conveyor and spinner.



### **⚠ CAUTION**

- Read Owner's Manual before operating or servicing spreader.
- Empty and clean spreader after every use.

68584

# SAFETY

## SAFETY PRECAUTIONS

Improper installation and operation could cause personal injury and/or equipment and property damage. Read and understand labels and the Owner's Manual before installing, operating, or making adjustments.

### ⚠ WARNING

- Driver to keep bystanders minimum of 25 feet away from operating spreader.
- Before working with the spreader, secure all loose-fitting clothing and unrestrained hair.
- Before operating the spreader, verify that all safety guards are in place.
- Before servicing the spreader, wait for conveyor, auger, and spinner to stop.
- Do not climb into or ride on spreader.

### ⚠ WARNING

Overloading could result in an accident or damage. Do not exceed GVWR or GAWR ratings as found on the driver-side vehicle door cornerpost. See Loading section to determine maximum volumes of spreading material.

### ⚠ WARNING

Do not install the control for this product in the deployment path of an air bag. Refer to vehicle manufacturer's manual for air bag deployment area(s).

### ⚠ WARNING

Vehicles <10,000 lb GVWR: Obstructing the visibility from the vehicle's rear camera could result in serious injury or damage. An auxiliary camera system shall be installed if the vehicle's rear camera is removed or blocked.

### ⚠ CAUTION

If rear directional, CHMSL light, or brake stoplights are obstructed by the spreader, the lights shall be relocated, or auxiliary directional or brake stoplights shall be installed.

### ⚠ CAUTION

During the hopper installation we recommend the addition of an OSHA-compliant backup alarm. This alarm is required for OSHA governed employers.

### ⚠ CAUTION

- Do not operate a spreader in need of maintenance.
- Before operating the spreader, reassemble any parts or hardware removed for cleaning or adjusting.
- Before operating the spreader, remove materials such as cleaning rags, brushes, and hand tools from the spreader.
- Before operating the spreader, read the engine owner's manual, if so equipped.
- While operating the spreader, use auxiliary warning lights, except when prohibited by law.
- Tighten all fasteners according to the Torque Chart. Refer to Torque Chart for the recommended torque values.

### ⚠ CAUTION

Disconnect electric and/or hydraulic power and tag out if required before servicing or performing maintenance.

### ⚠ CAUTION

DO NOT leave unused material in hopper. Material can freeze or solidify, causing unit to not work properly. Empty and clean after each use.

**NOTE:** Lubricate grease fittings after each use. Use a good quality multipurpose grease.

## FUSES

The electrical system contains several automotive-style fuses. If a problem should occur and fuse replacement is necessary, the replacement fuse must be of the same type and amperage rating as the original. Installing a fuse with a higher rating can damage the system and could start a fire. Fuse Replacement, including fuse ratings and locations, is located in the Maintenance section of the Owner's Manual.

# SAFETY

---

## PERSONAL SAFETY

- Remove ignition key and put the vehicle in PARK or in gear to prevent others from starting the vehicle during installation or service.
- Wear only snug-fitting clothing while working on your vehicle or spreader.
- Do not wear jewelry or a necktie, and secure long hair.
- Wear safety goggles to protect your eyes from battery acid, gasoline, dirt, and dust.
- Avoid touching hot surfaces such as the engine, radiator, hoses, and exhaust pipes.
- Always have a fire extinguisher rated BC handy, for flammable liquids and electrical fires.

## FIRE AND EXPLOSION

### WARNING

**Gasoline is highly flammable and gasoline vapor is explosive. Never smoke while working on vehicle. Keep all open flames away from gasoline tank and lines. Wipe up any spilled gasoline immediately.**

Be careful when using gasoline. Do not use gasoline to clean parts. Store only in approved containers away from sources of heat or flame.

## CELL PHONES

A driver's first responsibility is the safe operation of the vehicle. The most important thing you can do to prevent a crash is to avoid distractions and pay attention to the road. Wait until it is safe to operate Mobile Communication Equipment such as cell phones, text messaging devices, pagers, or two-way radios.

## VENTILATION

### WARNING

**Vehicle exhaust contains lethal fumes. Breathing these fumes, even in low concentrations, can cause death. Never operate a vehicle in an enclosed area without venting exhaust to the outside.**

## BATTERY SAFETY

### CAUTION

**Batteries normally produce explosive gases which can cause personal injury. Therefore, do not allow flames, sparks, or lit tobacco to come near the battery. When charging or working near a battery, always cover your face and protect your eyes, and also provide ventilation.**

- Batteries contain sulfuric acid, which burns skin, eyes, and clothing.
- Disconnect the battery before removing or replacing any electrical components.

## NOISE

Airborne noise emission during use is below 70 dB(A) for the spreader operator.

## VIBRATION

Operating spreader vibration does not exceed 2.5 m/s<sup>2</sup> to the hand-arm or 0.5 m/s<sup>2</sup> to the whole body.

# SAFETY





## TORQUE CHART

### ⚠ CAUTION





Read instructions before assembling. Fasteners should be finger tight until instructed to tighten according to the Torque Chart. Use standard methods and practices when attaching spreader, including proper personal protective safety equipment.

#### Recommended Fastener Torque Chart

##### Inch Fasteners Grade 5 and Grade 8

Size	Torque (ft-lb)		Size	Torque (ft-lb)	
	 Grade 5	 Grade 8		 Grade 5	 Grade 8
1/4-20	8.4	11.9	9/16-12	109	154
1/4-28	9.7	13.7	9/16-18	121	171
5/16-18	17.4	24.6	5/8-11	150	212
5/16-24	19.2	27.3	5/8-18	170	240
3/8-16	30.8	43.6	3/4-10	269	376
3/8-24	35.0	49.4	3/4-16	297	420
7/16-14	49.4	69.8	7/8-9	429	606
7/16-20	55.2	77.9	7/8-14	474	669
1/2-13	75.3	106.4	1-8	644	909
1/2-20	85.0	120.0	1-12	704	995

##### Metric Fasteners Class 8.8 and 10.9

Size	Torque (ft-lb)		Size	Torque (ft-lb)	
	 Class 8.8	 Class 10.9		 Class 8.8	 Class 10.9
M6 x 1.00	7.7	11.1	M20 x 2.50	325	450
M8 x 1.25	19.5	26.9	M22 x 2.50	428	613
M10 x 1.50	38.5	53.3	M24 x 3.00	562	778
M12 x 1.75	67	93	M27 x 3.00	796	1139
M14 x 2.00	107	148	M30 x 3.50	1117	1545
M16 x 2.00	167	231	M33 x 3.50	1468	2101
M18 x 2.50	222	318	M36 x 4.00	1952	2701

These torque values apply to fasteners except those noted in the instructions.

# LOADING

These instructions cover vehicles which have been recommended for carrying the hopper spreader. Please see your local dealer for proper vehicle applications.

## CERTIFICATION

### ⚠ WARNING

New untitled vehicle installation of a spreader requires National Highway Traffic Safety Administration altered vehicle certification labeling. Installer to verify that struck load of snow or ice control material does not exceed GVWR or GAWR rating label and complies with FMVSS.

### ⚠ WARNING

Overloading could result in an accident or damage. Do not exceed GVWR or GAWR as found on the driver-side cornerpost of vehicle.

### ⚠ CAUTION

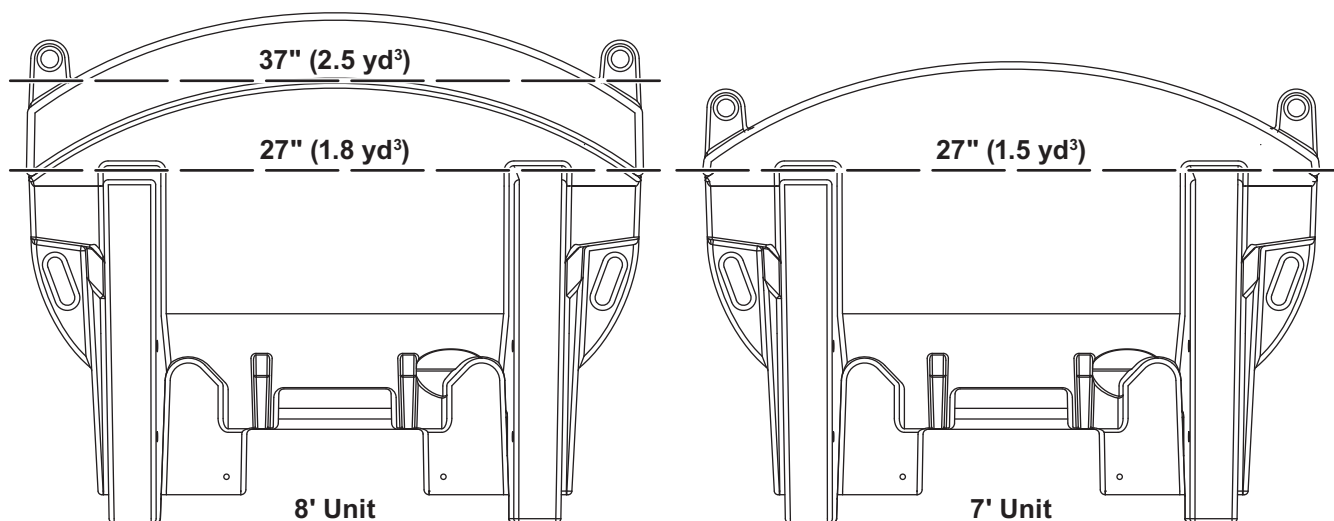
Read and adhere to manufacturer's ice-control material package labeling, including Safety Data Sheet requirements.

## MATERIAL WEIGHTS

Material	Density		
	(lb/ft <sup>3</sup> )	(lb/yd <sup>3</sup> )	(kg/m <sup>3</sup> )
Salt	80	2160	1282
Sand	100	2700	1602

Material densities are approximate and are based on dry, loose material. It is the responsibility of the operator to know the weight of the material to be spread and the vehicle carrying capacity.

## LOAD VOLUME



## SPREADER SPECIFICATIONS

Spreader Description	Overall Length (in)	Empty Weight (lb)	Capacity Struck (yd <sup>3</sup> )	Overall Width (in)	Overall Height (in)
7' Hopper Body Double-Wall Poly	108	591	1.5	63	44
8' Hopper Body w/o Collar Double-Wall Poly	117	660	1.8	63	44
8' Hopper Body w/Collar Double-Wall Poly	117	734	2.5	63	51

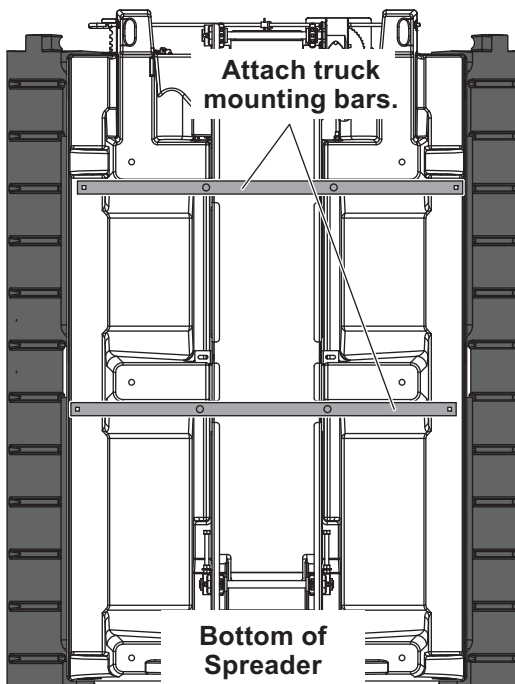
# MOUNTING THE SPREADER

**NOTE: Periodically throughout the snow and ice control season, verify that mounting devices are secure.**

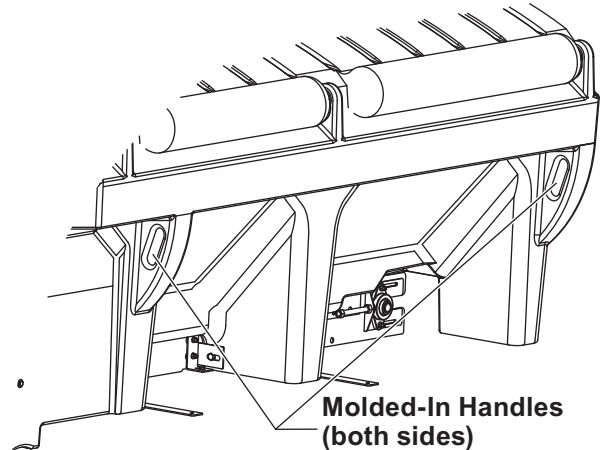
## ⚠ CAUTION

Before lifting, verify that hopper is empty of material. The lifting device must be able to support the spreader's weight as shown in the spreader specifications table.

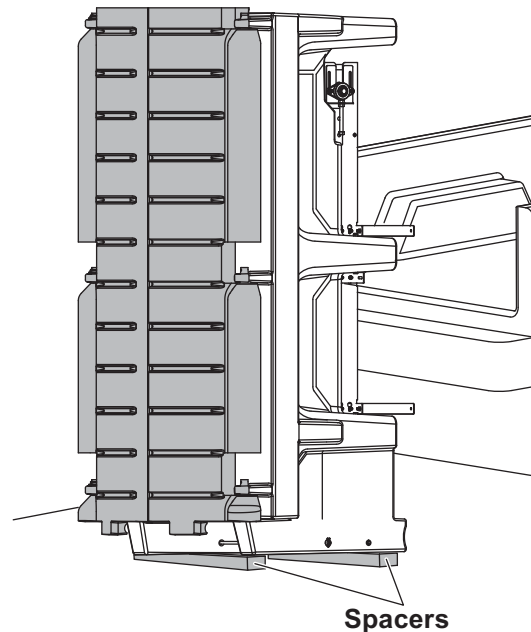
1. Remove the chute from the inside of the hopper:
  - a. Unlatch the rubber straps located at the rear of the lids near the handles.
  - b. Remove the screens.
  - c. Remove the screen supports.
  - d. Remove the chute and replace the screen supports and screens.
  - e. Close the lids and latch the rubber straps.
2. Remove the tailgate from the truck.
3. Attach the truck mounting bars to the sill brackets:
  - a. Measure the width between the wheel wells.
  - b. If needed, cut one or both of the supplied bars to the correct length.
  - c. Attach them to the sill brackets using the supplied hardware as shown.



4. The spreader can be moved into the truck bed either by lifting the spreader by the four molded-in handles located on the corner legs or by sliding the spreader into the truck bed from the ground.



5. To lift the spreader into the truck bed from the ground, stand the spreader up on the feet at the rear of the spreader on top of two spacers at least 2" off the ground. The chute must be removed.





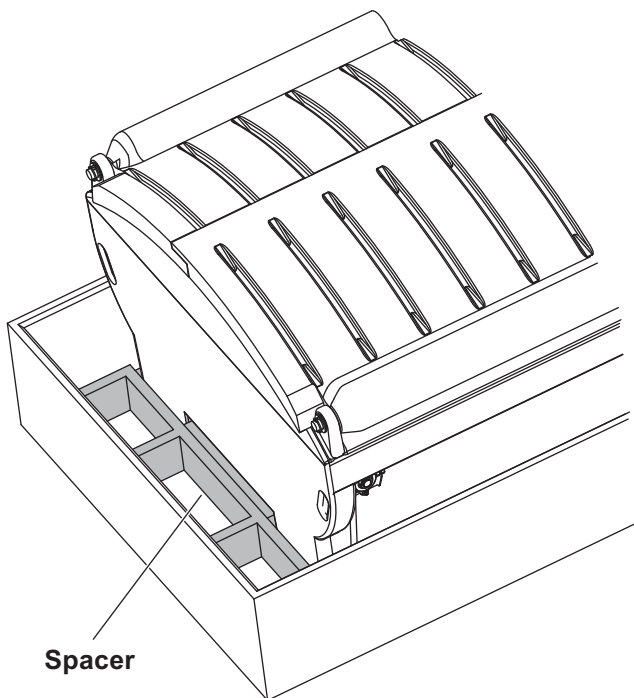
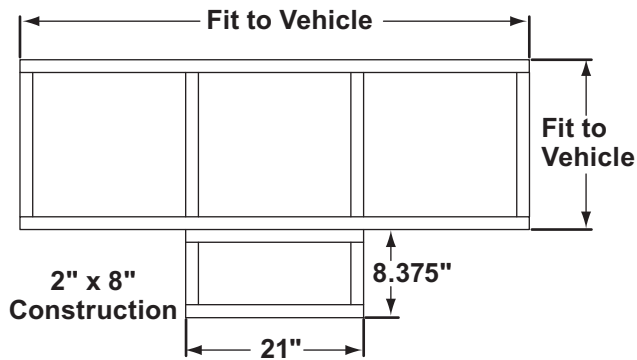
## MOUNTING THE SPREADER

---

6. Position spreader on its feet at the rear of the truck.
7. Tip the spreader toward the truck until the sill rests on the rear edge of the truck bed.
8. Lift the rear of the spreader and slide it into the truck bed. Two or more people are recommended for this task.
9. Center the spreader in the truck.
10. Remove the cable tie holding the wire harness to the conveyor chain. Connect the vehicle-side harness to the hopper-side harness.
11. To assemble the chute to the spreader:
  - a. Select the height for the chute assembly. The upper chute position is typically used for pickup truck installations.
  - b. Remove the extended deflector if used in the upper position.
  - c. Lift the chute onto the feed gate actuator bar and slide it down into place.
  - d. Align the holes in the hopper body with the chute, and install the pins to secure the chute to the hopper body.
  - e. Connect the spinner motor wiring harness.

## MOUNTING THE SPREADER

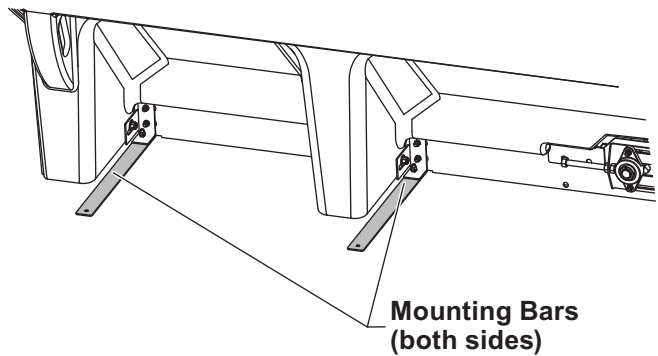
12. Measure the distance from the front of the truck bed to the end of the front of the sill and make a spacer to place between the end of the sill and the front of the truck bed. **Failure to install this spacer could result in damage to the spreader.**



### **⚠ WARNING**

**Spreader shall be bolted to vehicle frame. Do not rely on the tie-down chains or straps alone to hold spreader in vehicle.**

13. Bolt the spreader to the truck frame through the mounting bars attached to the sill. Use 1/2" hardware as required by the vehicle application. If the bars are not directly over the truck box supports, the truck bed must be braced to the frame to prevent buckling or deforming the truck bed.



**NOTE: Pay special attention when drilling or clamping dissimilar metals to aluminum bodies. Galvanic corrosion can occur if not handled properly. Contact vehicle manufacturer for recommended attachment practices.**

# WIRING AND HARNESS INSTRUCTIONS

---

## WIRING INSTRUCTIONS

Spreaders are shipped from the factory with the spreader harness wired to the motor and spreader module.

To properly wire the hopper spreader, follow this recommended installation sequence:

1. Install the spreader harness and control harness included with the spreader, following the steps given below.
2. Install the cab control as described under "Cab Control Installation."

---

**NOTE: Use dielectric grease on all electrical connections.**

---

## Spreader Harness Installation

1. Before beginning this installation, remove the battery cables from the vehicle battery.
2. Using the 1/4" x 3/4" cap screws, 1/4" flat washers, and 1/4" locknuts, mount the fuse holder near the vehicle battery so that the 22" battery cable can be installed from the POSITIVE (+) battery terminal to the fuse holder. Install the fuse into the fuse holder and hand tighten the nuts.

---

**NOTE: Accessory 50" or 90" cables may be installed in place of the standard 22" cable for applications requiring a longer vehicle battery cable.**

---

3. Attach one end of the 22" battery cable to the fuse holder so that the ring terminal is on top of the fuse; replace the lock washer and nut.
4. Lay out a path for routing the spreader harness from the rear of the truck bed to the vehicle battery. Make sure the path avoids any hot, sharp, or moving parts of the truck. Routing will vary from truck to truck.
5. Route the vehicle spreader harness as laid out in Step 4.
6. Using cable ties, secure the spreader harness to the truck. Verify that the harness cannot drop onto the road when it is disconnected from the spreader.
7. Attach the spreader harness red wire to the other fuse holder stud so that the ring terminal is on top of the fuse; replace the lock washer and nut.
8. Torque the fuse holder nuts to 106–159 in-lb and snap the fuse holder cover into place.
9. Attach the other end of the 22" battery cable to the POSITIVE (+) battery post.
10. Attach the spreader harness black wire to the NEGATIVE (–) battery terminal.

---

**NOTE: When using the accessory 50" or 90" battery cables, connect the black wire from the vehicle battery cable to a ground bolt on the vehicle frame or the engine. Clean away any paint or dirt to ensure a good ground connection.**

---

# WIRING AND HARNESS INSTRUCTIONS

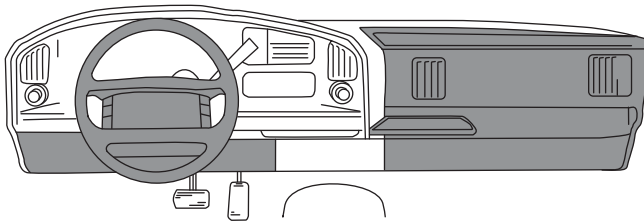
## Vehicle Control Harness Installation

1. Plug the vehicle harness into the spreader harness.
2. Lay out a path for routing the vehicle control harness from its attachment point on the vehicle battery cable into the cab of the truck. Make sure the path avoids any hot, sharp, or moving parts of the truck. Routing will vary from truck to truck.
3. Choose a cab control mounting location that can be reached by the harness. The location must be within easy reach of the vehicle operator without restricting access to vehicle controls or instrumentation.

Do not mount the control in areas prohibited by the vehicle manufacturer for reasons of crashworthiness. See the vehicle's body builder's book, owner's manual, or service manual for details. The shaded portions in the illustration below show the most commonly restricted areas.

### ⚠ CAUTION

Do not alter, modify, or install additional components in shaded areas shown below. Failure to comply may interfere with airbag deployment or cause injury to operator in an accident.



### ⚠ CAUTION

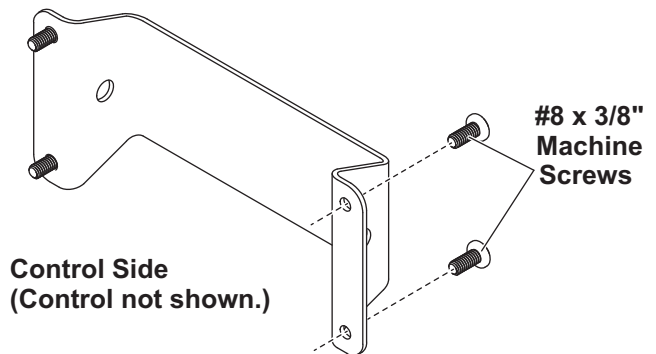
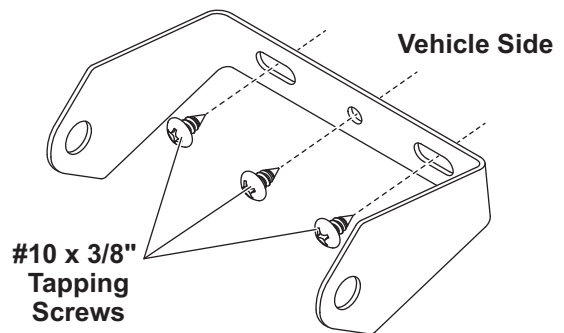
Before drilling any holes, check both sides of the material for any wires, fuel lines, fuel tanks, etc., that may be damaged by drilling.

4. Drill a 5/8" hole in the fire wall so that the vehicle control harness can reach the desired cab control location.

5. Insert a rubber grommet into the hole.
6. Route the harness as laid out in Step 2.
7. Secure the vehicle control harness to the truck.
8. Attach the red wire to a switched accessory circuit.

## Cab Control Installation

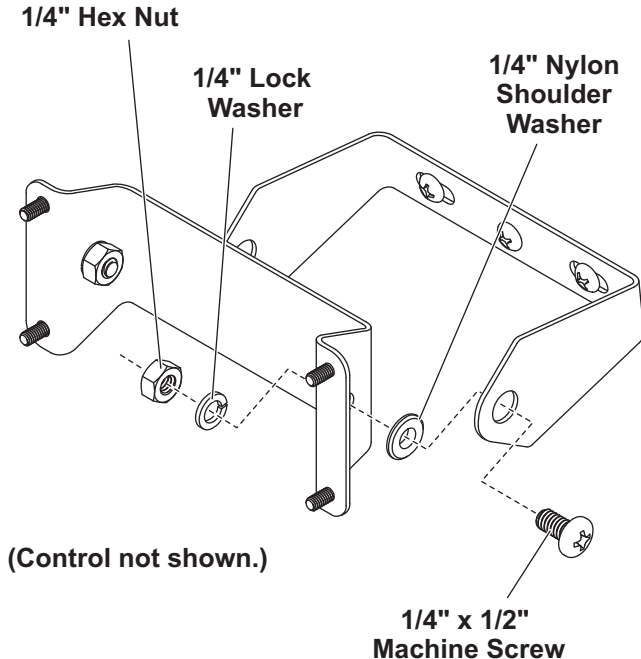
1. Confirm that the chosen cab control mounting position will not interfere with other equipment or allow unintentional starting of the spreader.
2. Install the vehicle side of the mounting bracket using three #10 x 3/8" Phillips head tapping screws.



3. Install the control side of the bracket to the control using four #8 x 3/8" Phillips head machine screws.

# WIRING AND HARNESS INSTRUCTIONS

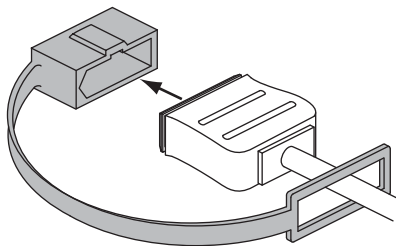
4. Install the control side of the bracket to the vehicle side using 1/4" x 1/2" Phillips head machine screws, 1/4" nylon shoulder washers, 1/4" lock washers, and 1/4" hex nuts.



5. Plug the vehicle control harness into the cab control.

## Harness Plug Cover

Install the supplied harness plug cover by slipping the loop end of the cover over the harness plug.



## CENTER HIGH-MOUNTED STOPLIGHT (CHMSL)

An LED center high-mounted stoplight is standard equipment on all hopper spreaders.

The orange wire from the spreader vehicle harness is for the CHMSL. Splice the orange wire into an existing CHMSL circuit wire tap. Location of the tap varies according to specific vehicle model, and may be located either in the cab or in the rear of the vehicle.

### Always use the tap provided by the OEM.

DO NOT splice the orange wire into the wire coming off the stoplight switch by the brake pedal. Splicing at the stoplight switch may affect transmission shifting, cruise control, or other vehicle functions.

### For vehicles with a tap along the frame rail or at the rear cross member:

1. Cut the tape holding the orange wire where it exits the convoluted tubing.
2. Pull out the orange wire to the location where the vehicle CHMSL tap is located. Cut a small V notch in the tubing for the wire to exit. Pull the wire through the V notch and tape the tubing on each side of the exit point.
3. Trim any excess length from the orange wire and splice into the vehicle tap.

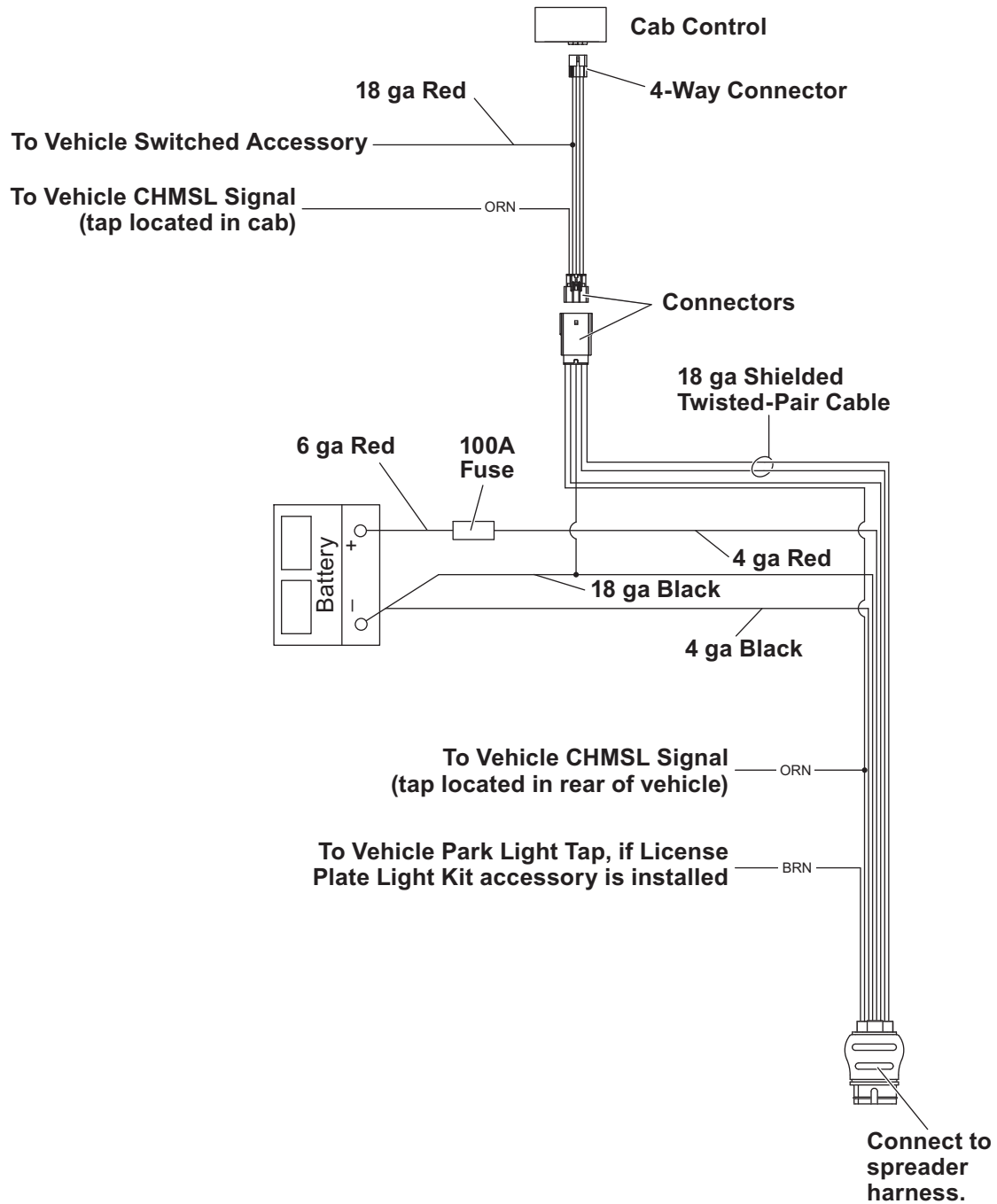
If the accessory License Plate Light Kit is not installed, coil and cable-tie the brown wire away from any hot, sharp, or moving parts.

## ACCESSORY LICENSE PLATE LIGHT

To install the accessory license plate light, follow the instructions included with the kit.

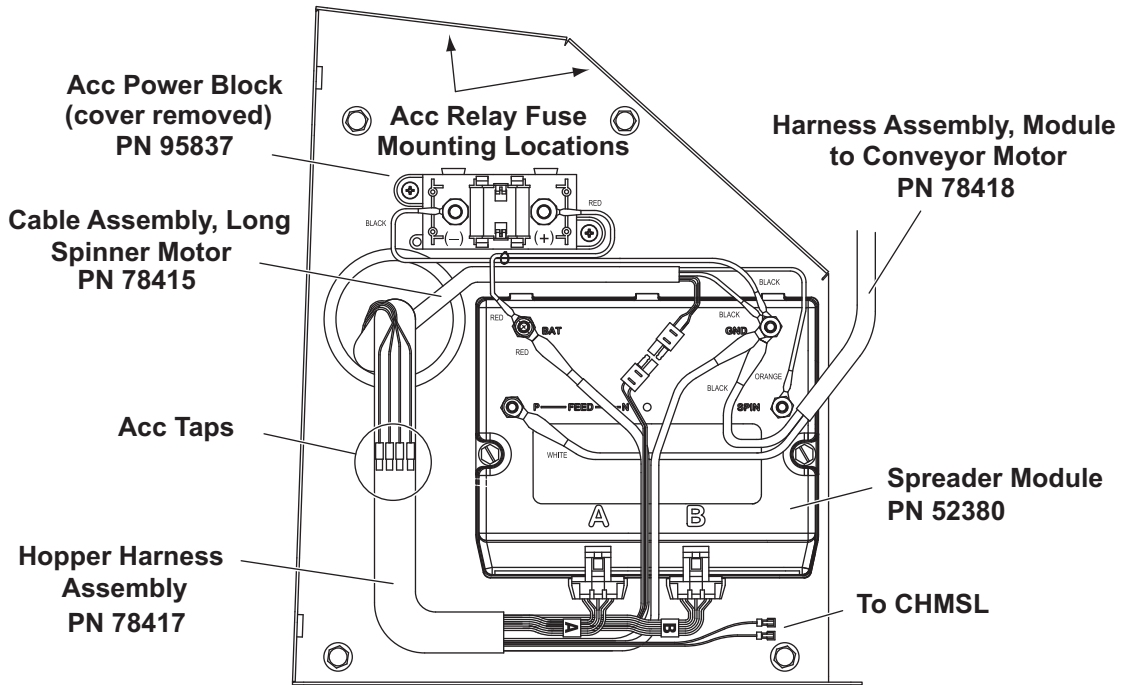
# ELECTRICAL COMPONENTS

## VEHICLE HARNESS DIAGRAM

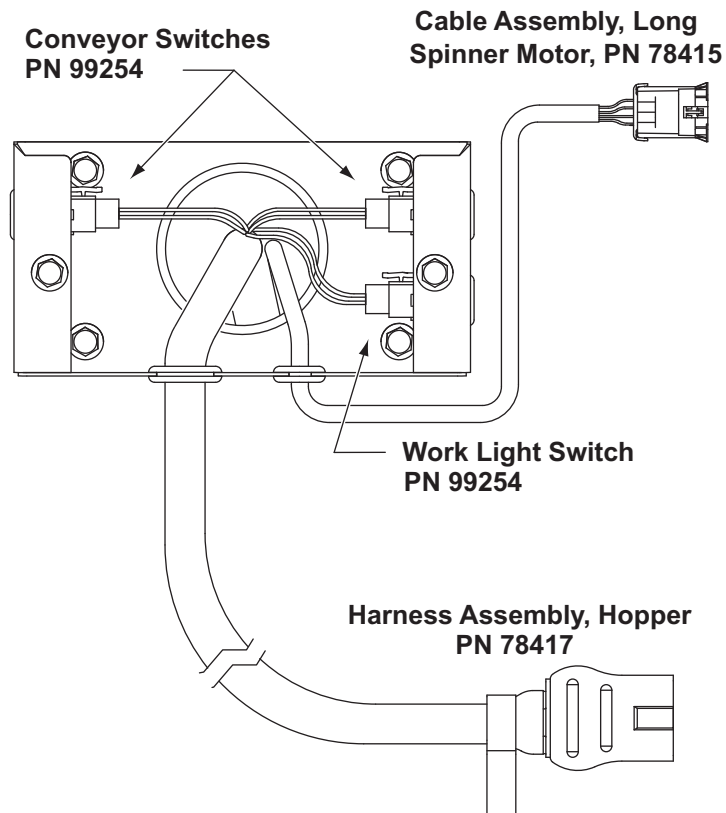


# ELECTRICAL COMPONENTS

## MODULE BOX HARNESS ROUTING DIAGRAM



## SWITCH BOX HARNESS ROUTING DIAGRAM

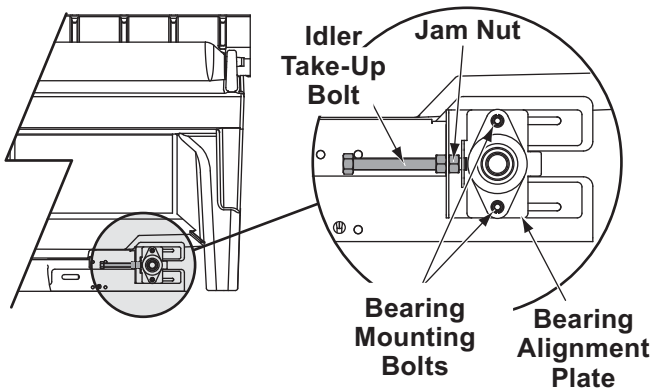


# FINAL ADJUSTMENTS

## CONVEYOR PINTLE CHAIN TENSION

Periodically check the conveyor chain tension. The spreader should be out of the vehicle.

1. To check the tension, measure in 20"–24" from the rear edge of the sills. Push up on the chain with your hand. The conveyor chain should lift up 1"–3" off the conveyor chain guide.
2. If the slack is greater than 3", loosen the two bearing mounting bolts on each side of the conveyor idle shaft on cab end of hopper.



3. Loosen the jam nut on one of the take-up bolts, then tighten (clockwise) the take-up bolt one full revolution. Repeat evenly on the other side.

## FINAL CHECKLIST

- Verify that gear case oil level is level with fill hole.
- Verify correct motor to gear box sprocket alignment and chain tension.
- Verify correct spinner motor shaft to spinner shaft alignment and belt tension.
- Verify correct conveyor tension and alignment.
- Verify that dielectric grease is applied to all electrical connections.
- Verify that wire harnesses and battery cable are properly secured away from hot or moving parts.
- Verify that vehicle battery cable has sufficient ground clearance when spreader is removed from truck.







Fisher Engineering  
50 Gordon Drive  
Rockland, ME 04841-2139  
[www.fisherplows.com](http://www.fisherplows.com)

**A DIVISION OF FISHER, LLC**

Fisher Engineering reserves the right under its product improvement policy to change construction or design details and furnish equipment when so altered without reference to illustrations or specifications used. Fisher Engineering or the vehicle manufacturer may require or recommend optional equipment for spreaders. Do not exceed vehicle ratings with a spreader. Fisher Engineering offers a limited warranty for all spreaders and accessories. See separately printed page for this important information. The following are registered (®) or unregistered (™) trademarks of Douglas Dynamics, LLC: FISHER®, POLY-CASTER™.

**Printed in U.S.A.**