



Fisher Engineering

50 Gordon Drive, Rockland, Maine 04841-2139 • www.fisherplows.com

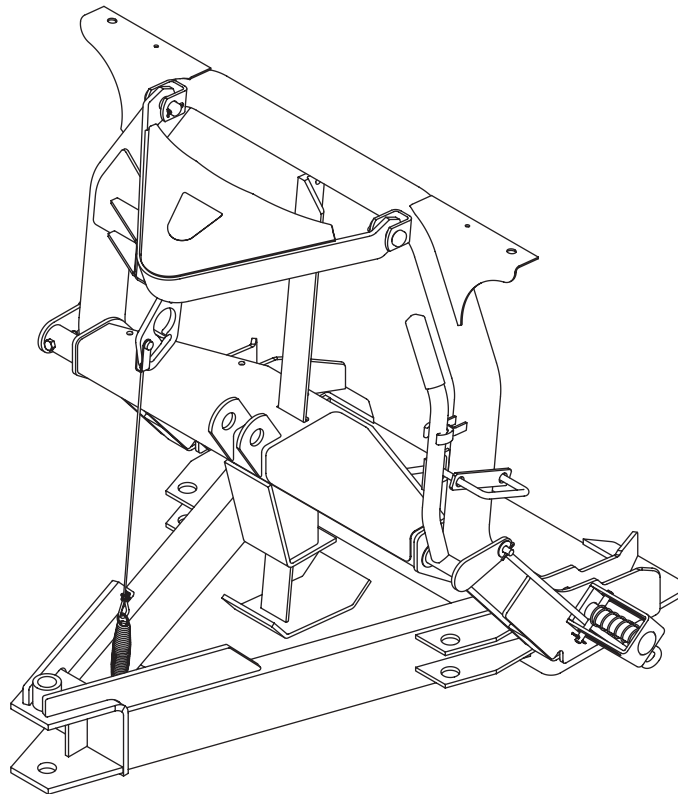
February 1, 2008
Lit. No. 26181, Rev. 06

Minute² SYSTEM

COMMON ATTACHMENT KIT

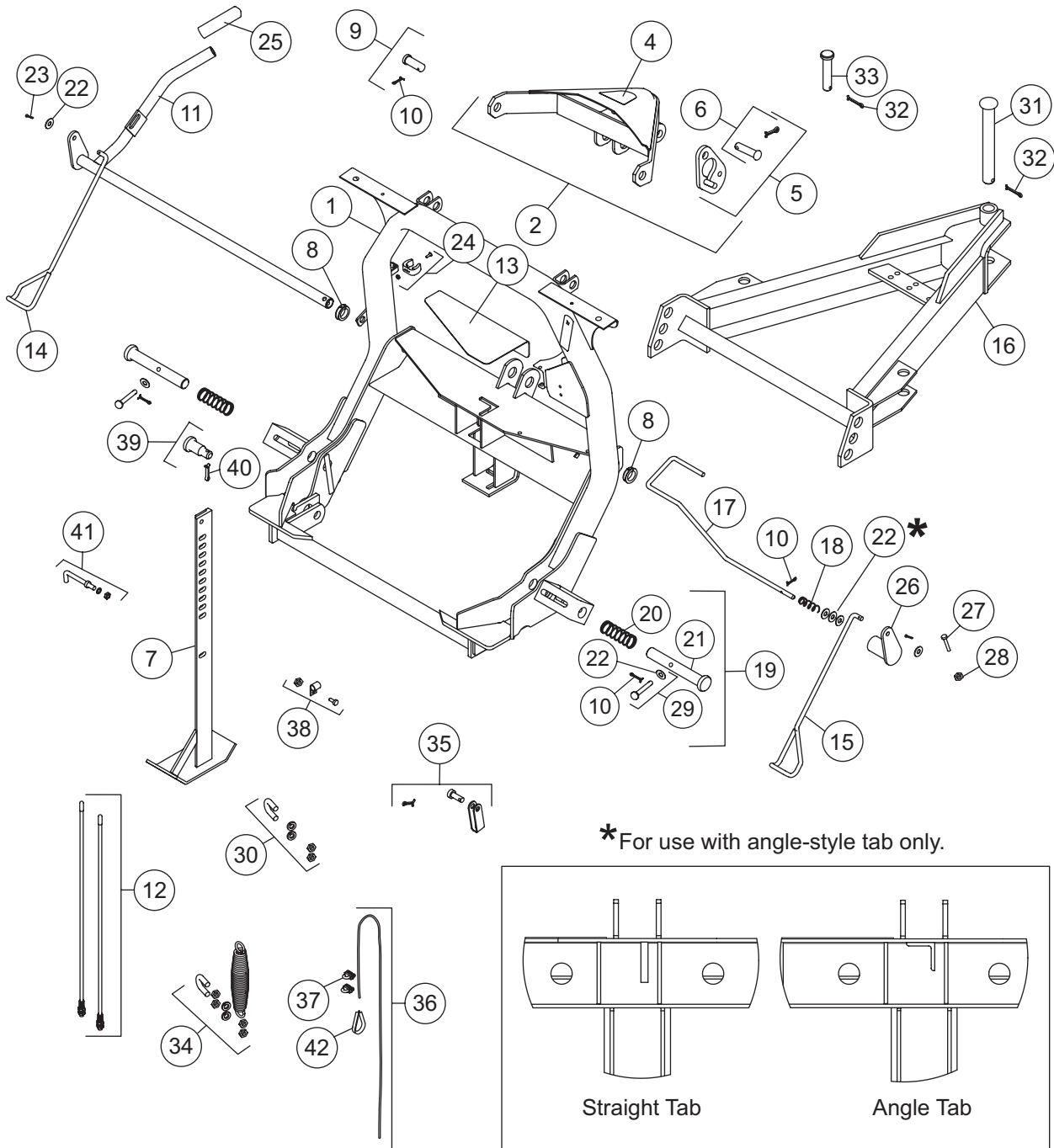
LD Series

Parts List



Minute Mount® 2 SYSTEM

Exploded View – Rear



27750-1 Common Attachment Kit			
Item	Part	Qty	Description
1	27742	1	Headgear
2	26757-1	1	Lift Arm Kit – Yellow **
4	26777	1	Nameplate Decal, MM2
5	28991	1	Stop Link Kit
6	29037	1	Clevis Pin w/Cotter
7	27741	1	Jack
8	27163K	1	Bushing Kit (2 bushings)
9	4289K	2	3/4 x 1-7/8 Machine Pin Packet
10	90658	5	5/32 x 1-1/4 Cotter Pin
11	27468	1	Handle – Link Arm Assembly
12	7906K	1	Packet – Blade Guide Set
13	27451	1	Label, MM2 Headgear
14	27166K	1	Wire Cam Kit – DS
15	27167K	1	Wire Cam Kit – PS
16	27995-1	1	A-Frame Kit MM2 – LD,SD
17	27478	1	Jack Lock
18	27461	1	Compression Spring, 3/4 OD x 3-1/2
19	27168K	2	Connecting Pin Kit
20	821	2	Compression Spring, 1 ID x 3-1/2
21	26833	2	1 OD x 6-15/16 Pin
22	90315	7	3/8 Flat Washer
23	91902	2	1/8 x 1 Cotter Pin
24	27162K	1	Stop Clip Kit
25	27535	1	Handle Cover Kit
26	27465	1	Link Arm
27	90043	1	3/8-16 x 2 Hex Cap Screw G5
28	91333	1	3/8-16 Hex Locknut GB
29	26219	2	Clevis Pin Kit
ns	27914	1	Bolt Bag – A-Frame Kit – LD,SD
ns	27472	1	Bolt Bag – 27750-1
ns	27912	1	Chain Bag MM2 – LD/SD/EZ-V
27914 Bolt Bag – A-Frame Kit			
30	A6148K	2	Packet – U-Bolt Assembly
31	27979	1	1 x 8 Clevis Pin
32	90013	3	1/4 x 2 Cotter Pin
33	22260	2	1 OD x 4-3/4 Clevis Pin
27472 Bolt Bag – 27750-1			
34	27534	1	Spring/U-Bolt Kit
35	27171K	1	Clevis Kit
36	27169K	1	Cable Kit
37	27075	2	1/8 Wire Rope Clip
38	27172K	2	Clamp Loop Kit
39	27177K	2	Step Pin Kit
40	90601	2	1/4 x 1-1/2 Cotter Pin
41	27164K	1	Handle Kit
42	26188	1	Thimble
ns = not shown		G = Grade	
** = Includes heat-treated upper lift ram pin (PN 95720 – not shown)			

Copyright © 2008 Douglas Dynamics, L.L.C. All rights reserved. This material may not be reproduced or copied, in whole or in part, in any printed, mechanical, electronic, film or other distribution and storage media, without the written consent of Fisher Engineering. Authorization to photocopy items for internal or personal use by Fisher Engineering outlets or snowplow owner is granted.

Fisher Engineering reserves the right under its product improvement policy to change construction or design details and furnish equipment when so altered without reference to illustrations or specifications used. Fisher Engineering or the vehicle manufacturer may require or recommend optional equipment for snow removal. Do not exceed vehicle ratings with a snowplow. Fisher Engineering offers a limited warranty for all snowplows and accessories. See separately printed page for this important information. The following are registered (®) trademarks of Douglas Dynamics, L.L.C.: FISHER®, Minute Mount® 2.

Printed in U.S.A.
