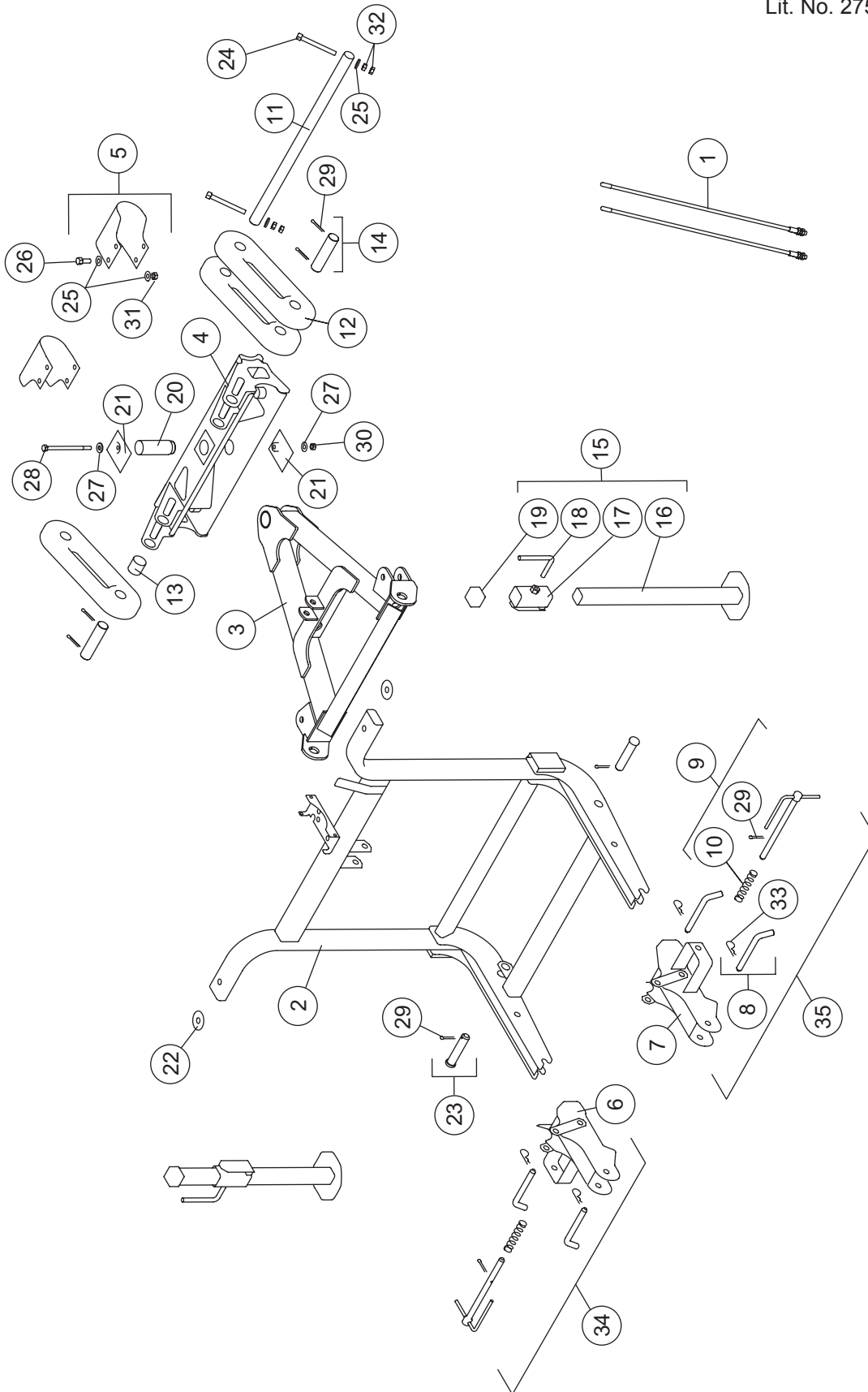


# PLOW GEAR PERSONAL PLOW

27550

Parts List

January 23, 2007  
Lit. No. 27551, Rev. 03



27550 Plow Gear Kit – Personal Plow							
Item	Part	Qty	Description	Item	Part	Qty	Description
1	27195	1	Flexible Blade Guide Kit – 26" (Pair)	19	27692	2	Square Vinyl Cap
2	27126	1	Plow Gear Frame, Personal Plow	20	27141	1	Pivot Tube
3	27138	1	A-Frame, Personal Plow	21	27615	2	Trip Bumper
4	27112	1	Quadrant, Personal Plow	22	4433	2	1/2 Flat Washer
5	27577	2	Trip Clamp Replacement Kit w/Fasteners	23	20639	2	3/4 x 3-15/32 Machine Pin Packet
6	27146	1	Receiver – DS	24	27529	2	3/8-16 x 3-1/2 Hex Cap Screw G5
7	27611	1	Receiver – PS	25	63925	18	3/8 Flat Washer
8	27575	4	Receiver Mounting Pin Kit	26	90039	8	3/8-16 x 1 Hex Cap Screw G5
9	27576	2	Receiver Pull Pin Kit	27	90313	2	5/16 Flat Washer
10	27461	2	Compression Spring	28	90602	1	5/16-18 x 5 Hex Cap Screw G5
11	27149	1	Spring Bar Tube	29	91911	8	5/32 x 1-1/2 Cotter Pin ZYC
12	27351	3	Elastomeric Trip Spring	30	91332	1	5/16-18 Hex Locknut GB
13	27530	1	Trip Spring Spacer	31	91333	8	3/8-16 Hex Locknut GB
14	27711	2	Lower Trip Spring Pin Kit	32	91413	4	3/8-16 Hex Nut G5
15	27360	2	Jack	33	91962	4	1/8 Hairpin Cotter
16	27355	2	Jack Leg	34	27754	1	Receiver Assembly – DS
17	27357	2	Jack Sleeve	35	27755	1	Receiver Assembly – PS
18	27358	2	Jack Handle				
27754 Receiver Assembly – DS							
6	27146	1	Receiver – DS			1	Receiver Pull Pin
		2	Receiver Mounting Pin	10	27461	1	Compression Spring
33	91962	2	1/8 Hairpin Cotter	29	90658	1	5/32 x 1-1/4 Cotter Pin ZP
27755 Receiver Assembly – PS							
7	27611	1	Receiver – PS			1	Receiver Pull Pin
		2	Receiver Mounting Pin	10	27461	1	Compression Spring
33	91962	2	1/8 Hairpin Cotter	29	90658	1	5/32 x 1-1/4 Cotter Pin ZP
		G = grade				ZYC = zinc yellow chromate	
						ZP = zinc plate	

Copyright © 2007 Douglas Dynamics, L.L.C. All rights reserved. This material may not be reproduced or copied, in whole or in part, in any printed, mechanical, electronic, film or other distribution and storage media, without the written consent of the company. Authorization to photocopy items for internal or personal use by the company's outlets or snowplow owner is granted.

The company reserves the right under its product improvement policy to change construction or design details and furnish equipment when so altered without reference to illustrations or specifications used. This equipment manufacturer or the vehicle manufacturer may require or recommend optional equipment for snow removal. Do not exceed vehicle ratings with a snowplow. The company offers a limited warranty for all snowplows and accessories. See separately printed page for this important information.

Printed in U.S.A.