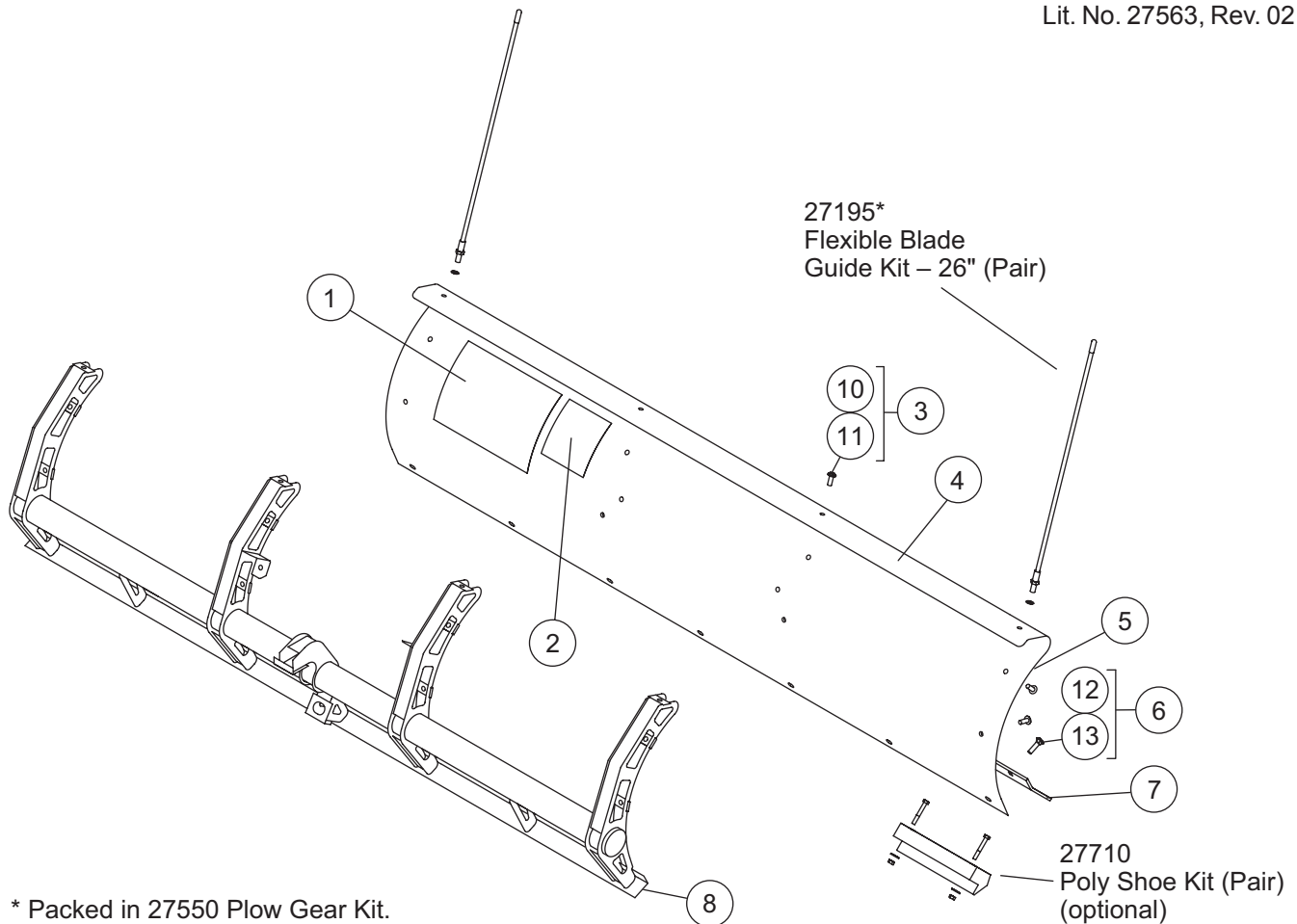


Personal Plow Blade Parts List and Diagram

May 20, 2005
 Lit. No. 27563, Rev. 02



* Packed in 27550 Plow Gear Kit.

Blade Components							
Item	Part	Qty	Description	Item	Part	Qty	Description
1	27155	1	Attach / Detach Label, Personal Plow	6	27574	1	Cutting Edge Fastener Kit
2	59900	1	Label – Information (Warning)	7	27713	1	6'-8" Cutting Edge Kit w/Fasteners
3	27573	1	Moldboard Fastener Kit		27714	1	7'-4" Cutting Edge Kit w/Fasteners
4	27717	1	6'-8" Moldboard Kit w/Fasteners	8	27111	1	6'-8" Blade Structure, Personal Plow
	27719	1	7'-4" Moldboard Kit w/Fasteners		27187	1	7'-4" Blade Structure, Personal Plow
5	27679	1	Label – Identity, Homesteader				
27573 Moldboard Fastener Kit							
10	91377	12	3/8-16 Hex Flange Locknut	11	98043	12	3/8-16 x 1 Button Cap Screw
27574 Cutting Edge Fastener Kit							
12	28940	7	3/8-16 Hex Flange Locknut GF	13	90203	7	3/8-16 x 1-1/2 Carriage Bolt G5
G = grade							

Copyright © 2005 Douglas Dynamics, L.L.C. All rights reserved. This material may not be reproduced or copied, in whole or in part, in any printed, mechanical, electronic, film or other distribution and storage media, without the written consent of Fisher Engineering. Authorization to photocopy items for internal or personal use by Fisher Engineering outlets or snowplow owner is granted.

Fisher Engineering reserves the right under its product improvement policy to change construction or design details and furnish equipment when so altered without reference to illustrations or specifications used. Fisher Engineering and the vehicle manufacturer may require and/or recommend optional equipment for snow removal. Do not exceed vehicle ratings with a snowplow. Fisher Engineering offers a limited warranty for all snowplows and accessories. See separately printed page for this important information. The following are registered (®) or unregistered (™) trademarks of Douglas Dynamics, L.L.C.: FISHER®, Homesteader™.

Printed in USA