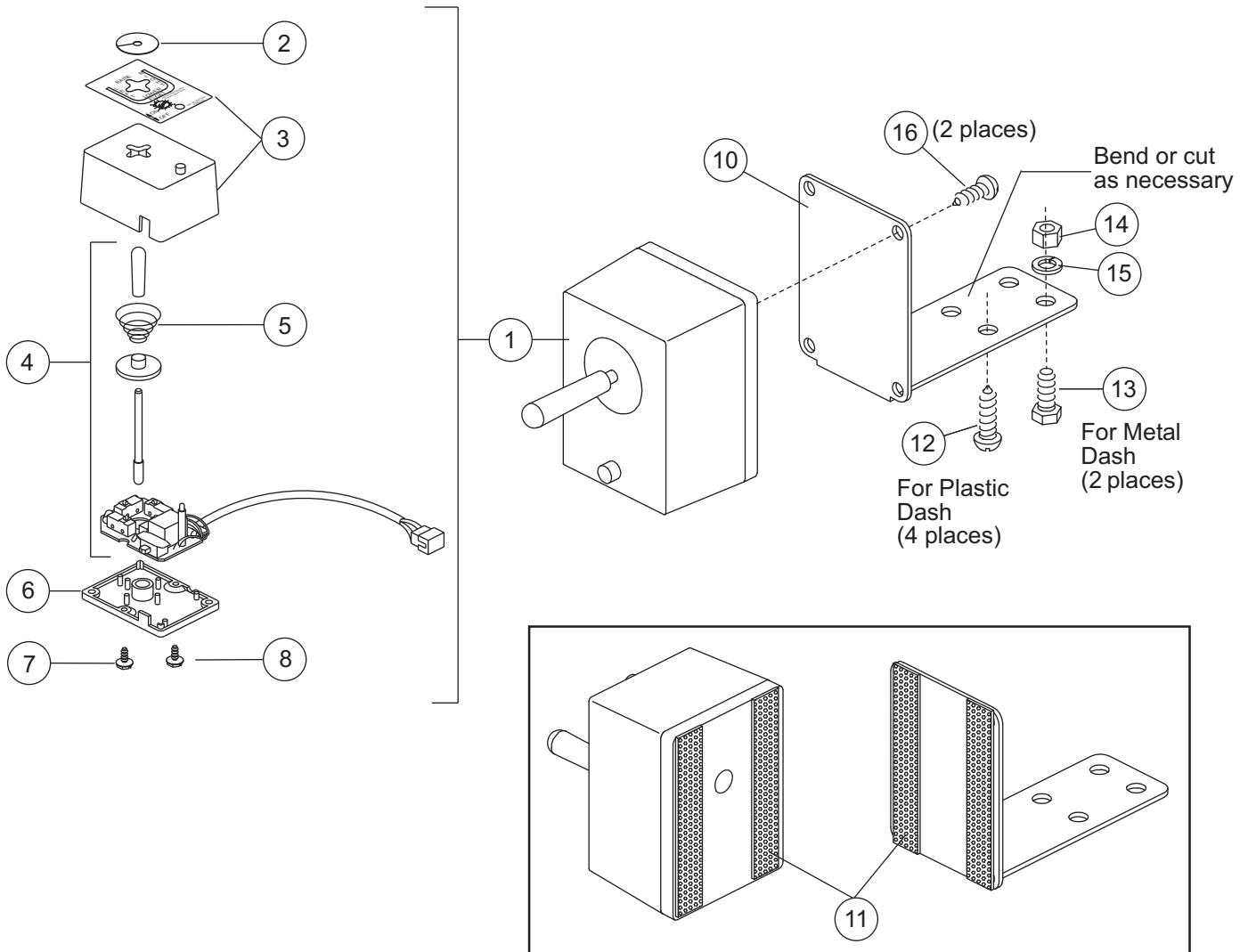




# JOYSTICK SOLENOID CONTROL

## Parts List



8292 Joystick Solenoid Control						
Item	Part	Qty	Description	Item	Part	Qty Description
1		1	Solenoid Control – Style 3	ns	8695K	1 4' Control Harness Extension (purchased separately)
ns	7714	1	Dash Bracket Bag – Solenoid Control			
Solenoid Control – Style 3						
2	56283	1	Shield – Joystick Control	5	55923	1 Conical Spring
3	8333	1	Body w/Label and Lens	6	56199	1 Base – Joystick Control
4	8334	1	PC Board Assembly – Joystick (3) with Lever Assembly	7	93153	2 6-19 x 3/8 Tapping Screw
				8	93154	2 8-18 x 5/8 Tapping Screw
7714 Dash Bracket Bag – Solenoid Control						
10	7718	1	Control Bracket	14	91411	2 1/4-20 Hex Nut G5
11	20254K	1	Dual Lock Mounting Kit	15	91201	2 1/4 Spring Lock Washer
12	90659	4	12-14 x 3/4 Tapping Screw	16	93154	2 8-18 x 5/8 Tapping Screw
13	90461	2	1/4-20 x 3/4 Hex Cap Screw G5			
			ns = not shown	G = Grade		

Copyright © 2013 Douglas Dynamics, LLC. All rights reserved. This material may not be reproduced or copied, in whole or in part, in any printed, mechanical, electronic, film or other distribution and storage media, without the written consent of Fisher Engineering. Authorization to photocopy items for internal or personal use by Fisher Engineering outlets or snowplow owner is granted.

Fisher Engineering reserves the right under its product improvement policy to change construction or design details and furnish equipment when so altered without reference to illustrations or specifications used. Fisher Engineering or the vehicle manufacturer may require or recommend optional equipment for snow removal. Do not exceed vehicle ratings with a snowplow. Fisher Engineering offers a limited warranty for all snowplows and accessories. See separately printed page for this important information. The following are registered (®) trademarks of Douglas Dynamics, LLC: FISHER®.

Printed in U.S.A.