

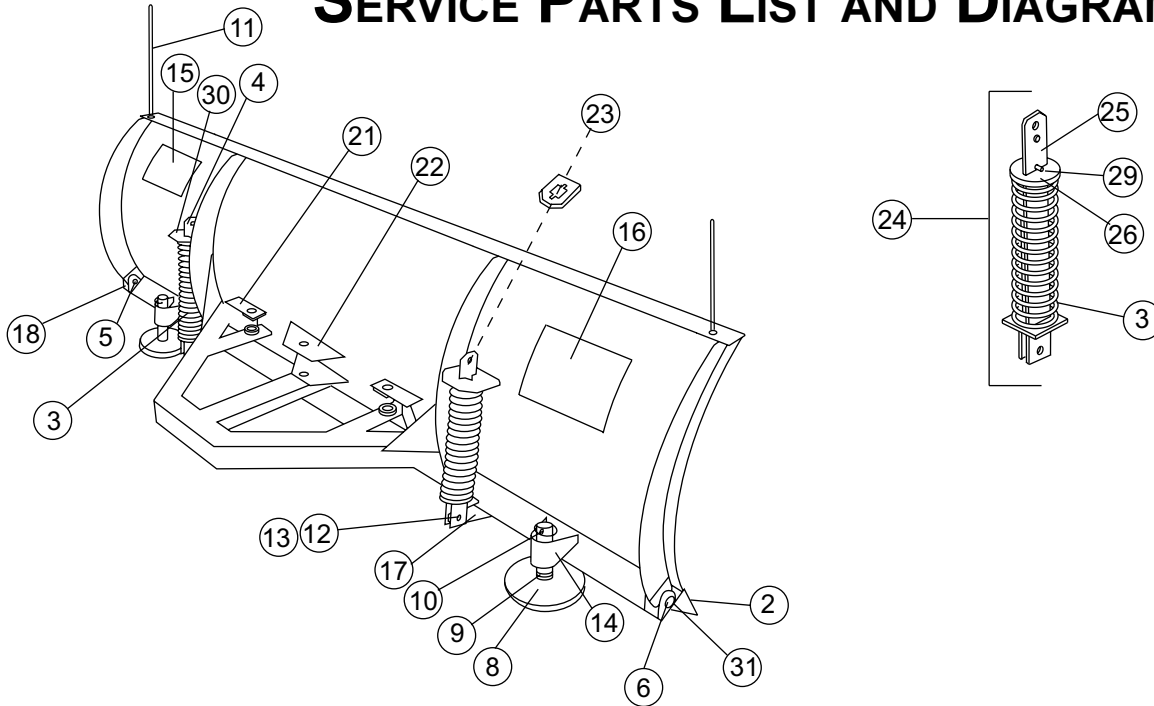
Fisher Engineering

P.O. Box 529 Rockland, Maine 04841

**BLADE ASSEMBLY - 6-1/2' "L"
7760**

May 31, 2001
Lit. No. 20240

SERVICE PARTS LIST AND DIAGRAM



7760 6-1/2' "L" Blade Assembly

Ref #	Part #	Qty	Description	Ref #	Part #	Qty	Description
2	7868	1	Base Angle – 6-1/2' Replacement	16	21793	1	Decal – Blade Pass. Side Repair
3	27406	2	Trip Spring - Replacement	17	7653	2	Lower Anchor – Base Angle
4	6631	2	Spring Bar - Replacement	18	7603	8	Rib Doubler
5	90658	4	5/32 x 1-1/4 Cotter Pin	ns	DC347	1	Doubler – Angle Frame
6	5523K	4	3/4 x 2-1/8 Machine Pin	21	7867	2	Upper Anchor
8	*26523	2	Shoe Assembly – 6" solid cast	22	7866	1	Upper Gusset
9	307	10	Spacer – Shoe 1/4 x 1-1/2	23	22144	2	Removable Spring Top Anchor
10	308K	2	Pin - Shoe	24	26464	2	Removable Spring Assembly
11	A5108	2	Flexible Blade Guide (packed in common attachment kit)	25	20757	2	Removable Spring Bar Replacement
12	91003	2	7/16-14 Shoulder Bolt (Rem. Spring)	26	20191	2	Removable Spring Disc Replacement
13	90353	2	7/16-14 Locknut (Rem. Spring)	29	20181	2	1/4 x 1 Pin
14	6821	2	Shoe Tube Holder	30	6628	2	Top Anchor - Spring
15	8248	1	Decal – Blade Dr. Side Repair	31	DC4880	8	Ear – Base Angle

ns = not shown

* Consists of (1) shoe, (1) 308K shoe pin, and (5) 307 shoe spacers

BLADE ASSEMBLY - 6-1/2' "L"

7760

Copyright © 2001 Douglas Dynamics, L.L.C. All rights reserved. This material may not be reproduced or copied, in whole or in part, in any printed, mechanical, electronic, film or other distribution and storage media, without the written consent of Fisher Engineering. Authorization to photocopy items for internal or personal use by Fisher Engineering outlets is granted.

Fisher Engineering reserves the right under its product improvement policy to change construction or design details and furnish equipment when so altered without reference to illustrations or specifications used herein. Fisher Engineering and the vehicle manufacturer may require and/or recommend optional equipment for snow removal. Fisher Engineering offers a limited warranty for all snowplows and accessories. See separately printed page for this important information. The following are registered (®) and unregistered (™) trademarks of Douglas Dynamics, L.L.C.: FISHER®

Printed in USA