



Fisher Engineering

P.O. Box 529 Rockland, Maine 04841

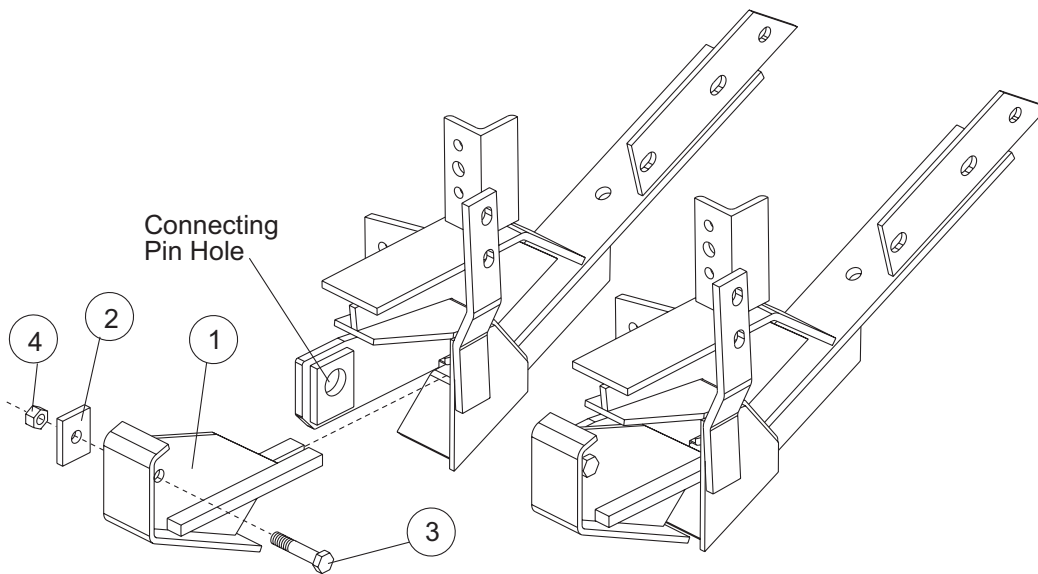
20555

May 18, 1999
No. 20550

Minute Mount[®]

SYSTEM

Skid Plate Kit



KIT PARTS LIST

Attachment Kit			
Ref #	Part #	Qty Req	Description
1	20548	2	Skid Plate
	20549	1	Bolt Bag

20549 Bolt Bag			
Ref #	Part #	Qty Req	Description
2	20551	2	Backer Block
3	90104	2	1/2"-13x2-1/2" Cap Screw Gr. 5
4	90355	2	1/2" Locknut

INSTALLATION INSTRUCTIONS

After snowplow is disconnected, place skid plates into front of pushplates. Beginning on one side of vehicle, line up hole in skid plate with connecting pin hole. Install a 1/2"-13 x 2-1/2" cap screw through skid plate and connecting pin hole. Secure with a backer block and 1/2" locknut. Tighten. Repeat on other side.

Copyright © 1999 Douglas Dynamics, L.L.C. All rights reserved. This material may not be reproduced or copied, in whole or in part, in any printed, mechanical, electronic, film or other distribution and storage media, without the written consent of Fisher Engineering. Authorization to photocopy items for internal or personal use by Fisher Engineering outlets is granted.

Fisher Engineering reserves the right under its product improvement policy to change construction or design details and furnish equipment when so altered without reference to illustrations or specifications used herein. Fisher Engineering and the vehicle manufacturer may require and/or recommend optional equipment for snow removal. Fisher Engineering offers a limited warranty for all snowplows and accessories. See separately printed page for this important information. The following are registered (®) and unregistered (™) trademarks of Douglas Dynamics, L.L.C.: FISHER®, Minute Mount®

Printed in USA