



**Fisher Engineering**

P.O. Box 529 Rockland, Maine 04841

**MC Series Blade Components**

**9' MC 22350**

**10' MC 21000**

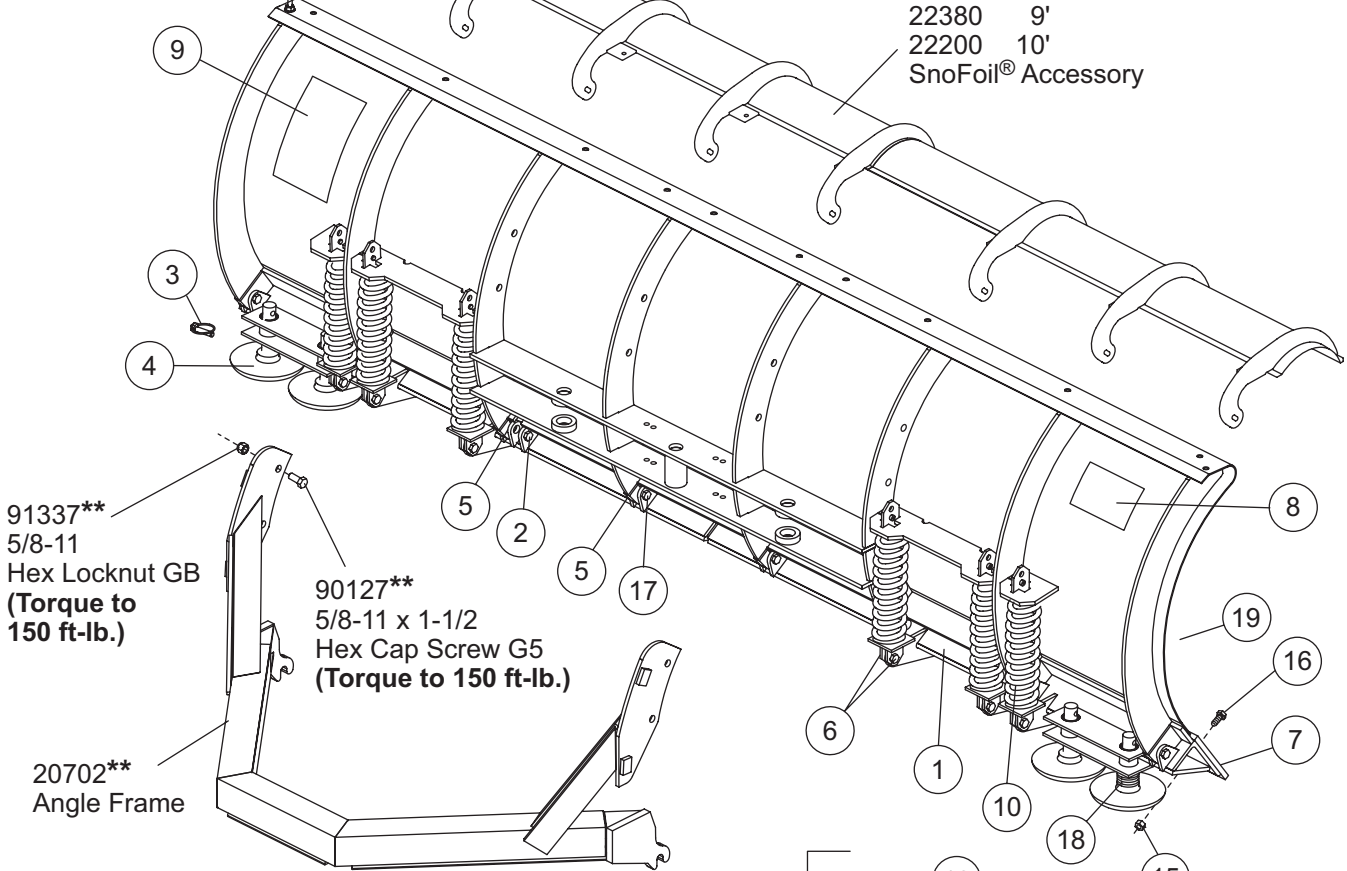
May 1, 2005

Lit. No. 20801, Rev. 20

27195\*  
26" Flexible Blade  
Guide Kit (Set of 2)

10' MC Blade Shown

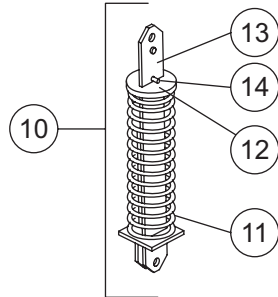
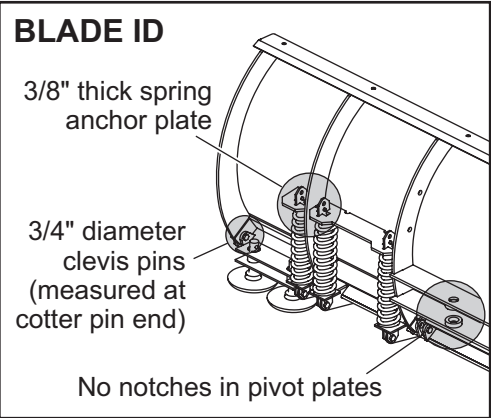
22380 9'  
22200 10'  
SnoFoil® Accessory



91337\*\*  
5/8-11  
Hex Locknut GB  
(Torque to  
150 ft-lb.)

90127\*\*  
5/8-11 x 1-1/2  
Hex Cap Screw G5  
(Torque to 150 ft-lb.)

20702\*\*  
Angle Frame



\* Packed in 8445 Minute Mount® Headgear Kit.  
\*\* Packed in 8446-1 A-Frame Kit.

This parts list is for FISHER® MC Series Blades produced before September 2001.

# MC Series Blade Components

9' MC 22350

10' MC 21000

Blade Components				
Item	Part	Description	Qty	
			9'	10'
1	22369	Base Angle – 9' MC	1	–
	20628	Base Angle, DS – 10' MC	–	1
	20629	Base Angle, PS – 10' MC	–	1
2	20639K	3/4 x 3-15/32 Machine Pin w/Cotter	2	2
3	308K	Shoe Pin Packet (1)	2	4
4	A5517	Shoe Assembly – 7" Anti-Wear	2	4
5	90658	5/32 x 1-1/4 Cotter Pin	8	8
6	26656K	Shoulder Bolt w/Locknut	4	6
7	27362	Cutting Edge Kit – 9'	1	–
	27238	Cutting Edge Half w/Hardware – 10'	–	2
	27239	Cutting Edge (2) w/Hardware – 10'	–	1
8	59900	Label – Information (Warning)	1	1
9	8248	Decal – Blade DS Rear	1	1
10	21452	Removable Spring Assembly	4	6
11	5323	Trip Spring	4	6
12	20191	Removable Spring Disc	4	6
13	21450	Removable Spring Bar	4	6
14	20181	1/4 x 1-1/4 Pin	4	6
15	91337	5/8-11 Hex Locknut GB	11	10
16	5572	5/8-11 x 2 Carriage Bolt G5	11	10
17	5523K	3/4 x 2-3/16 Machine Pin w/Cotter	6	6
18	7902K	Shoe Spacer Packet (5)	2	4
19	20238	Decal – Splatter 13-1/4 x 14-1/2	1	1
G = grade				

Copyright © 2005 Douglas Dynamics, L.L.C. All rights reserved. This material may not be reproduced or copied, in whole or in part, in any printed, mechanical, electronic, film or other distribution and storage media, without the written consent of Fisher Engineering. Authorization to photocopy items for internal or personal use by Fisher Engineering outlets or snowplow owner is granted.

Fisher Engineering reserves the right under its product improvement policy to change construction or design details and furnish equipment when so altered without reference to illustrations or specifications used. Fisher Engineering and the vehicle manufacturer may require and/or recommend optional equipment for snow removal. Do not exceed vehicle ratings with a snowplow. Fisher Engineering offers a limited warranty for all snowplows and accessories. See separately printed page for this important information. The following are registered (®) trademarks of Douglas Dynamics, L.L.C.: FISHER®, Minute Mount®, SnoFoil®.