



Fisher Engineering

P.O. Box 529 Rockland, Maine 04841

21442

26596

V

May 15, 2000
Lit. No. 21808



Blades and A-Frame Parts Lists and Diagrams

Table of Contents

8-1/2' EZ-V Snowplow Blade Assembly	2
9-1/2' EZ-V Snowplow Blade Assembly	4
Blade Stop Kit	5
A-Frame Assembly	6
Removable Spring Assembly	6

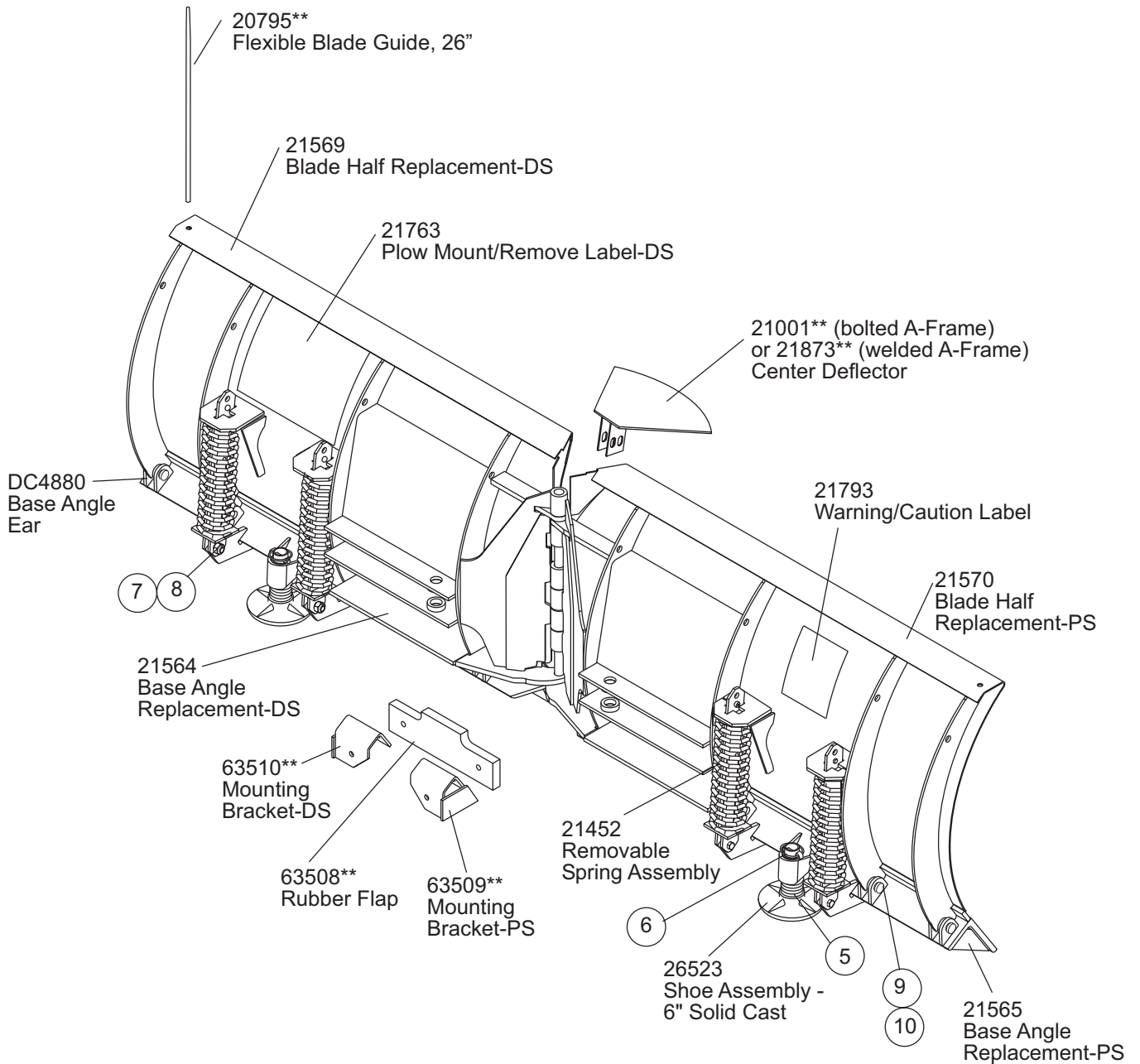
EZ-V SNOWPLOW BLADES AND A-FRAME PARTS LISTS

8-1/2' EZ-V Snowplow - 21442		
Part #	Qty	Description
*	1	EZ-V Snowplow Blade, 8-1/2'
21874-3	1	A-Frame Assembly
* available as part of service kit only		

9-1/2' EZ-V Snowplow - 26596		
Part #	Qty	Description
*	1	EZ-V Snowplow Blade, 9-1/2'
21874-3	1	A-Frame Assembly
26634	1	Blade Stop Kit
* available as part of service kit only		

21442
26596
V

8-1/2' EZ-V® SNOWPLOW BLADE ASSEMBLY

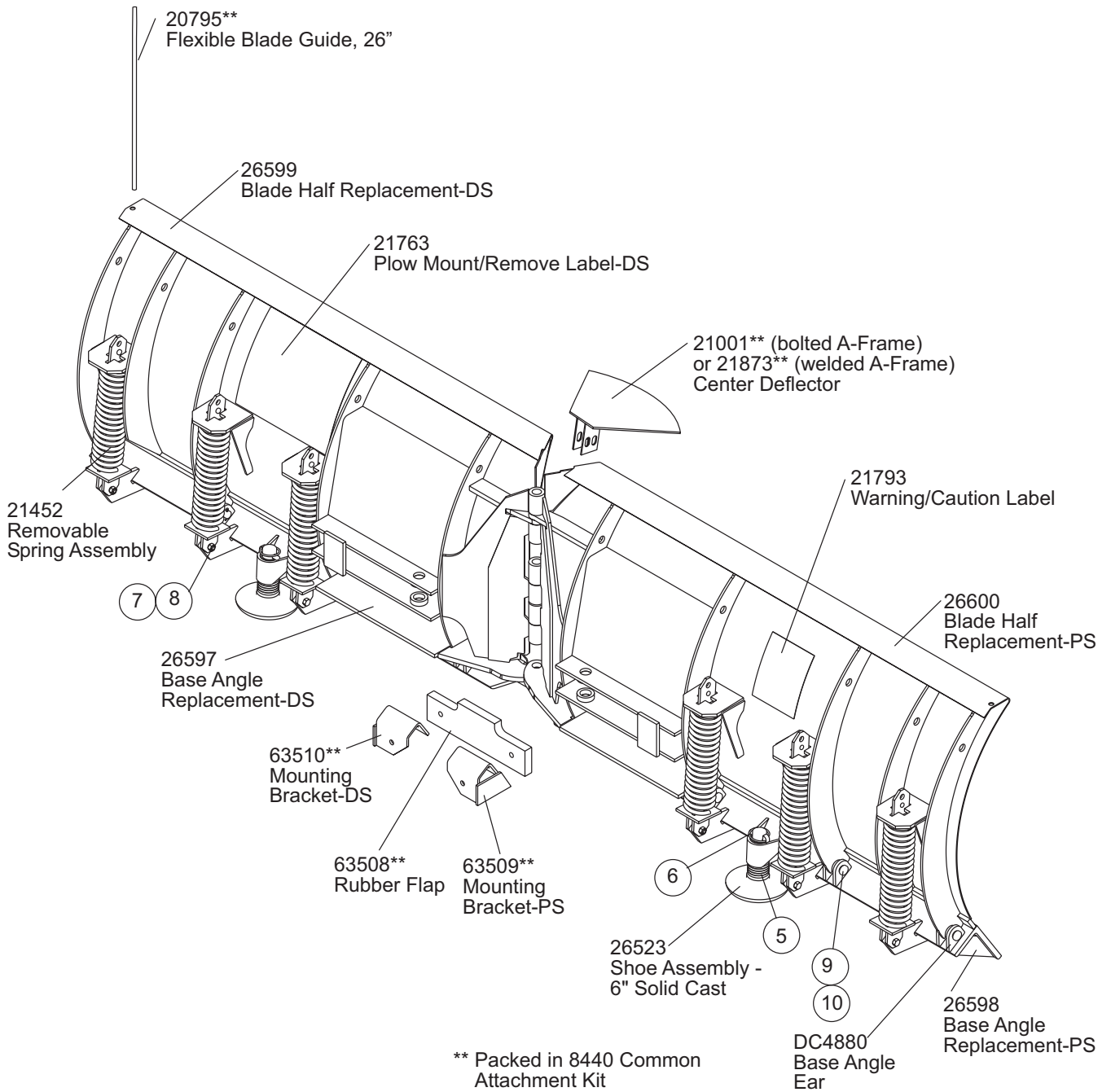


** Packed in 8440 Common Attachment Kit

8-1/2' EZ-V® Snowplow Blade Assembly – 21442							
Ref #	Part #	Qty	Description	Ref #	Part #	Qty	Description
-	21569	1	Blade Half Replacement – DS	-	90352†	2	3/8"-16 Locknut
-	21570	1	Blade Half Replacement – PS	5	307	10	Shoe Spacer
-	21565	1	Base Angle Replacement – PS	6	308K	2	Shoe Pin
-	21564	1	Base Angle Replacement – DS	7	90353	4	7/16"-14 Locknut
-	26523*	2	Shoe Assembly - 6" Solid Cast	8	91003	4	7/16"-14 Shoulder Bolt Gr. 5
-	21452	4	Removable Spring Assembly	9	5523K	8	3/4" x 2-3/16" Machine Pin
-	21763	1	Plow Mount/Remove Label – DS	10	90658	8	5/32" x 1-1/4" Cotter Pin
-	21793	1	Warning/Caution Label – PS	ns	21608	1	Single EZ-V® Snowplow Cutting Edge w/Hardware (optional)
-	22157†	1	Stop Assembly	ns	21609	2	EZ-V Snowplow Cutting Edge w/Hardware Set of 2 (optional)
-	22154†	3	Rubber Spacer Plate				
-	98011†	2	3/8"-16 Full Thread Gr. 5 Cap Screw				
ns = not shown							
* Consists of (1) shoe, (1) 308K shoe pin, and (5) 307 shoe spacers							
† Available as part of 22161 A-Frame Stop Kit (packed in 8440 Common Attachment Kit)							

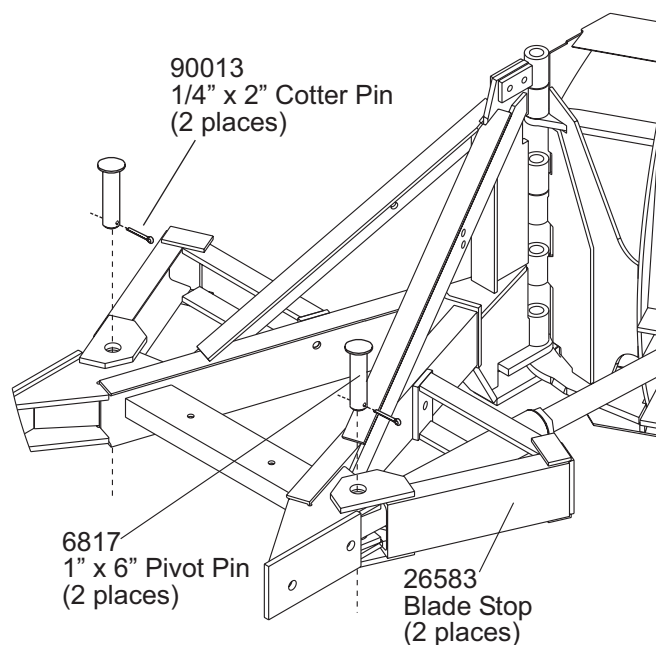
21442
26596
V

9-1/2' EZ-V® SNOWPLOW BLADE ASSEMBLY



9-1/2' EZ-V® Snowplow Blade Assembly – 26596							
Ref #	Part #	Qty	Description	Ref #	Part #	Qty	Description
-	26599	1	Blade Half Replacement – DS	-	90352†	2	3/8"-16 Locknut
-	26600	1	Blade Half Replacement – PS	5	307	10	Shoe Spacer
-	26598	1	Base Angle Replacement – PS	6	308K	2	Shoe Pin
-	26597	1	Base Angle Replacement – DS	7	90353	4	7/16"-14 Locknut
-	26523*	2	Shoe Assembly - 6" Solid Cast	8	91003	4	7/16"-14 Shoulder Bolt Gr. 5
-	21452	4	Removable Spring Assembly	9	5523K	8	3/4" x 2-3/16" Machine Pin
-	21763	1	Plow Mount/Remove Label – DS	10	90658	8	5/32" x 1-1/4" Cotter Pin
-	21793	1	Warning/Caution Label – PS	ns	26595	1	Single EZ-V® Snowplow Cutting Edge w/Hardware (optional)
-	22157†	1	Stop Assembly	ns	26593	2	EZ-V Snowplow Cutting Edge w/Hardware Set of 2 (optional)
-	22154†	3	Rubber Spacer Plate	-	26634	1	EZ-V Snowplow Blade Stop Kit
-	98011†	2	3/8"-16 Full Thread Gr. 5 Cap Screw				
ns = not shown							
* Consists of (1) shoe, (1) 308K shoe pin, and (5) 307 shoe spacers							
† Available as part of 22161 A-Frame Stop Kit (packed in 8440 Common Attachment Kit)							

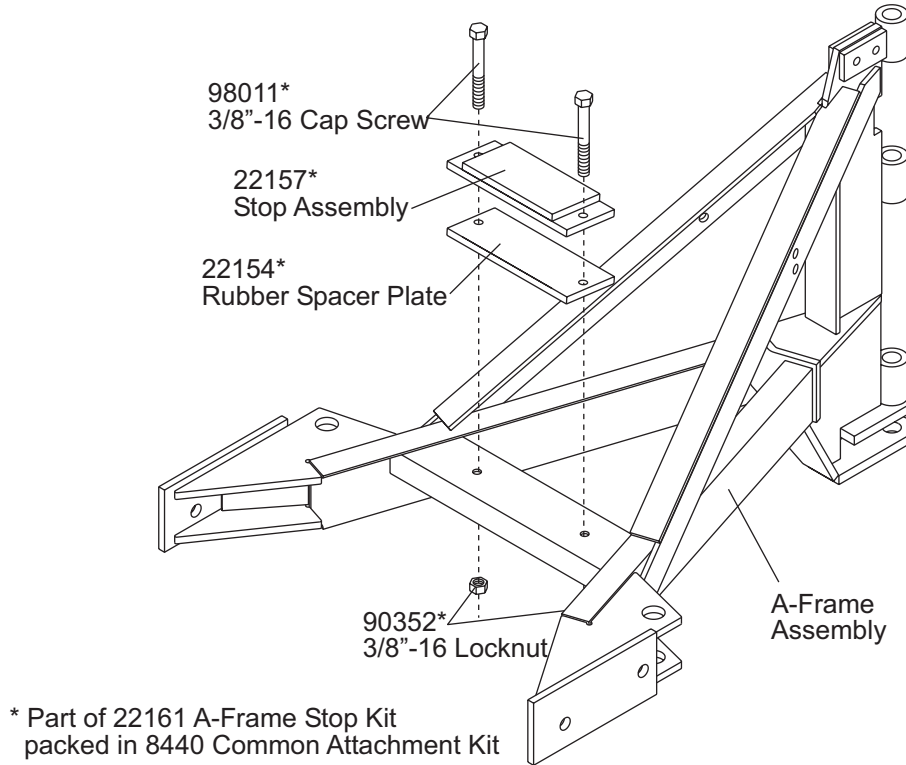
26634 BLADE STOP KIT (9-1/2' EZ-V Snowplow Only)



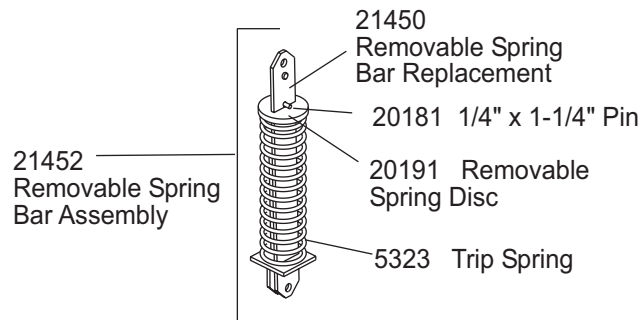
EZ-V Snowplow Blade Stop Kit – 26634			
Ref #	Part #	Qty	Description
-	6817	2	1" x 6" Pivot Pin
-	90013	2	1/4" x 2" Cotter Pin
ns	90210	2	1/2"-13 x 1-1/2" Gr. 5 Cap Screw
ns	90688	2	1/2"-13 Locknut
*	26648	2	3/4"-10 x 2" Gr. 8 Flange Head Cap Screw
*	26649	2	3/4"-10 Flanged Locknut
-	26583	2	Blade Stop
ns = not shown			
* installation of these parts described in 26631			

21442
26596
V

21874-3 A-FRAME ASSEMBLY



21452 REMOVABLE SPRING BAR ASSEMBLY



Copyright © 2000 Douglas Dynamics, L.L.C. All rights reserved. This material may not be reproduced or copied, in whole or in part, in any printed, mechanical, electronic, film or other distribution and storage media, without the written consent of Fisher Engineering. Authorization to photocopy items for internal or personal use by Fisher Engineering outlets is granted.

Fisher Engineering reserves the right under its product improvement policy to change construction or design details and furnish equipment when so altered without reference to illustrations or specifications used herein. Fisher Engineering and the vehicle manufacturer may require and/or recommend optional equipment for snow removal. Fisher Engineering offers a limited warranty for all snowplows and accessories. See separately printed page for this important information. The following are registered (®) trademarks of Douglas Dynamics, L.L.C.: EZ-V®, FISHER®

Printed in USA