

Fisher Engineering

P.O. Box 529 Rockland, Maine 04841

June 15, 1998
No. 21812



Snowplow Hydraulics Kit Parts Lists and Diagrams

Table Of Contents

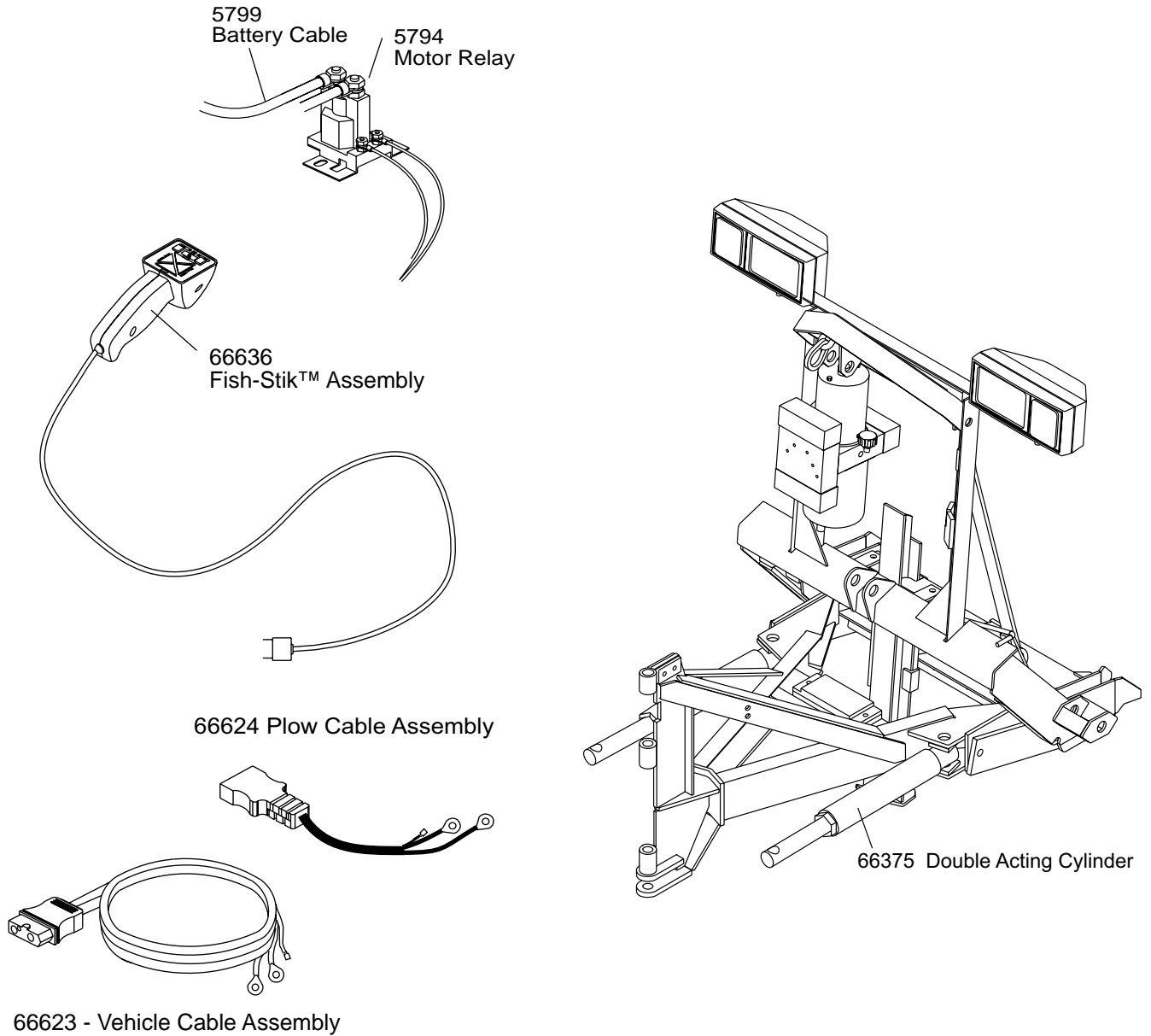
Hydraulic Assembly	2
8428 Parts Box	3
Hydraulic Hoses and Fittings	3
Hydraulic Unit Assembly	4

Hydraulics Parts List

8428 Hydraulic Kit					
Part #	Qty Req	Description	Part #	Qty Req	Description
66779	1	Insta-Act™ Hydraulic Unit	8290	1	Panel Mount Plate Set - Long
20116	1	1-1/2" x 10" Cylinder Assy	8325	1	Panel Mount Plate Set - Short
66375	2	Double Acting Cylinder	66647	1	8428 Parts Box
21577	2	Mounting Bracket			
* available as part of service kit only					

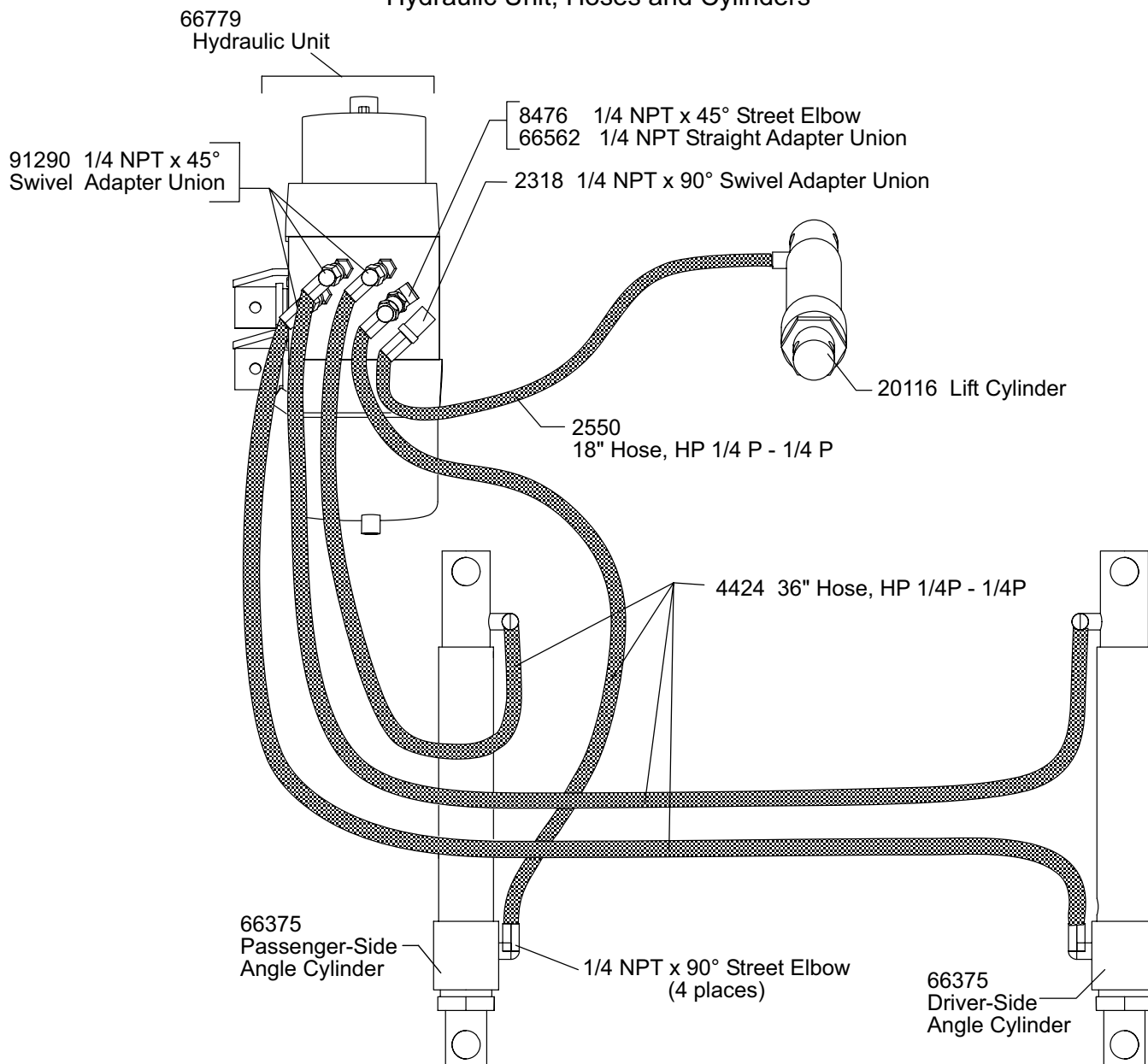
8428

V



66647 – 8428 Parts Box							
Ref #	Part #	Qty Req	Description	Ref #	Part #	Qty Req	Description
-	66636	1	Fish-Stik Assembly	ns	8284	1	Cable Boot
-	66624	1	Plow Cable Assembly	ns	3666	9	Hose Tie, 3/16 x 8"
-	66623	1	Vehicle Cable Assembly	-	4424	4	Hose, 36" HP 1/4P-1/4P
-	5799	1	Battery Cable, Red	-	2550	1	Hose, 18" HP 1/4P-1/4P
-	5794	1	Motor Relay	ns	66648	1	8428 Bolt Bag
* available as part of service kit only				ns = not shown			

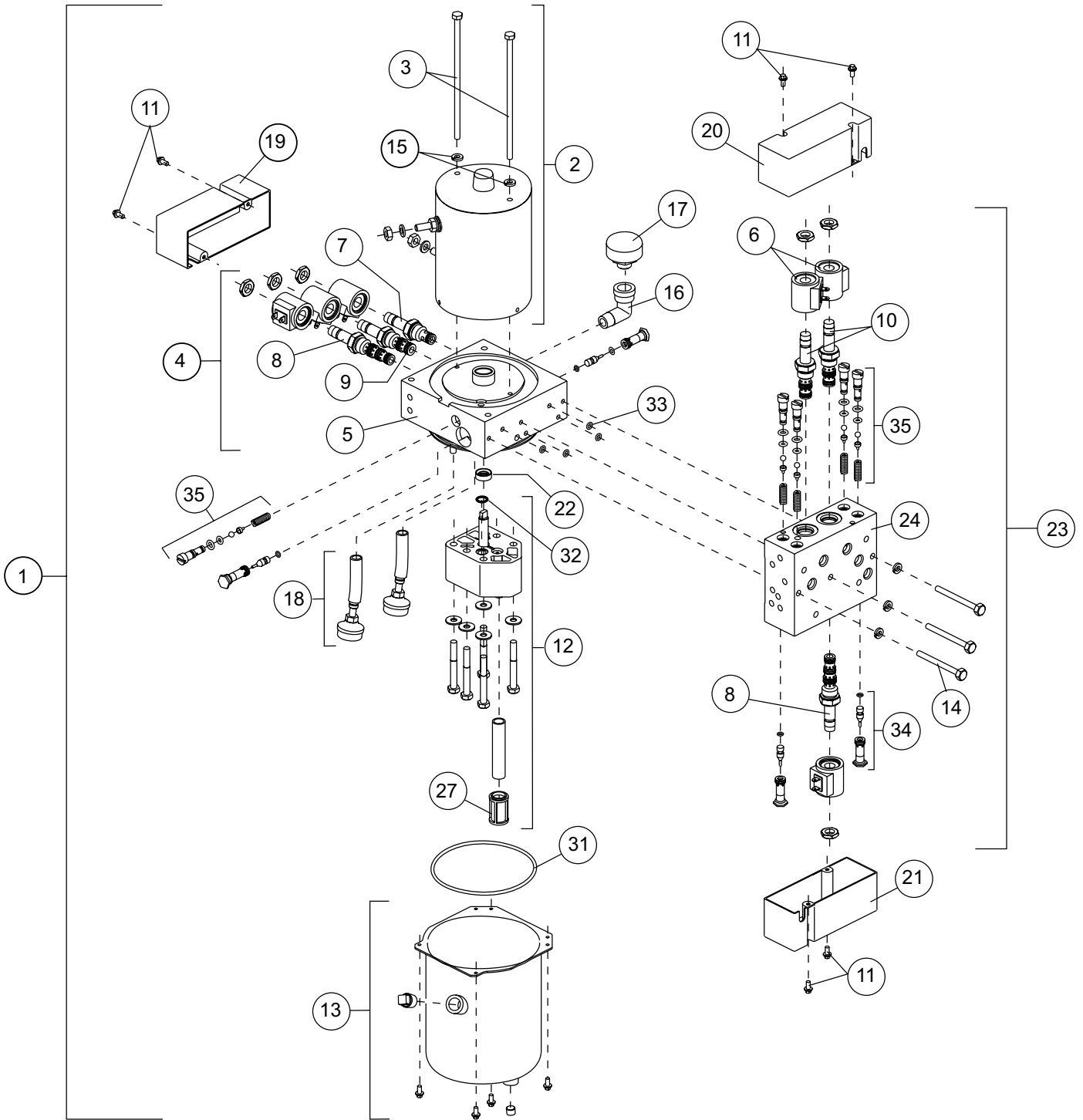
Hydraulic Unit, Hoses and Cylinders



66648 – 8428 Bolt Bag					
Part #	Qty Req	Description	Part #	Qty Req	Description
22260	4	1" o.d. x 4-3/4" Clevis Pin	*	4	1/4 NPT x 90° Street Elbow
6814	2	1" o.d. x 3-5/16" Clevis Pin	8476	1	1/4 NPT x 45° Street Elbow
90601	6	1/4" x 1-1/2" Cotter Pin	21726	1	3/8 NPT Poly 90° Street Elbow
*	1	1/4" Straight Adapter	8329	1	Dielectric Grease Tube
92190	3	45F Adapter Union 1/4"	*	1	8428 Small Bolt Bag
2318	1	1/4 NPT x 90° Union Elbow			

* available as part of service kit only

V-Plow Hydraulic Unit Assembly



66779 Hydraulic Unit Assembly							
Ref #	Part #	Qty Req	Description	Ref #	Part #	Qty Req	Description
1	66779	1	Hydraulic Unit	17	21727	1	Breather Cap
2	21500	1	Motor Kit	18	66405	2	Return Line Screen Assembly
3	21508	2	Hold Down Cap Screw	19	66619	1	Valve Cover (S1, S2, S3)
4	66773	1	Primary Valve Manifold Assembly	20	66620	1	Valve Cover (S4, S6)
5	66775	1	Primary Manifold Block	21	66621	1	Valve Cover (S5)
6	7639K	6	Solenoid Coil w/ Spade Terminals	22	66515	1	Pump Seal
7	7634K	1	Cartridge 2004 w/ Jam Nut-2 Way	23	66771	1	Secondary Valve Manifold Assembly
8	7637K	2	Cartridge 40 w/ Jam Nut-4 Way	24	66772	1	Secondary Manifold Block
9	66783K	1	Cartridge 43 w/ Jam Nut-4 Way	27	7053K	1	Suction Filter
10	7636K	2	Cartridge 30 w/ Jam Nut-3 Way	31	66519	1	Tank O-ring
11	90650	6	#8-32 x 1/2" Valve Cover Screw	32	3719	1	O-ring 013
12	21501	1	Pump Assembly	33	7085	4	O-ring 010
13	21830	1	Reservoir Kit	34	66785K	4	Pilot Operated Check Valve
14	90668	3	1/4-20 x 2-1/2" Cap Screw	35	6529		Relief Valve Kit (see note)
15	91201	5	1/4" Split Lockwasher	ns	66796		Relief Valve Kit (see note)
16	21726	1	3/8" NPT Poly 90° Street Elbow	ns	66562	1	1/4" Straight Swivel
				ns	21548	1	Brush Kit
				ns	7635	1	Seal Kit-2-Way Cartridge
				ns	7638	1	Seal Kit-3-Way & 4-Way Cartridges
*available as part of service kit only				ns = not shown			

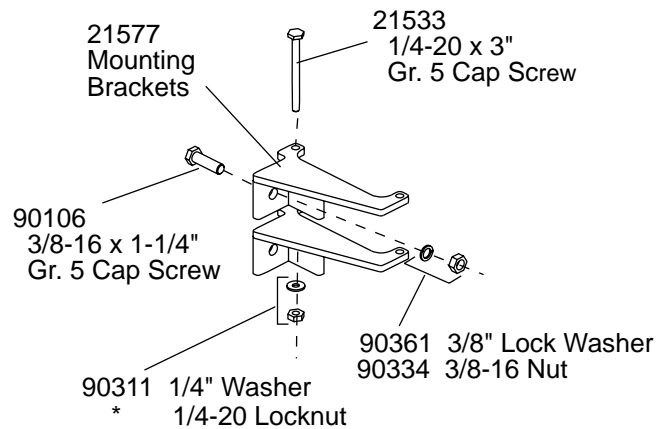
NOTE: Use relief valve kit to replace all relief valves except in the following instance. If the secondary manifold is marked E2 underneath the bottom cover, use the relief valve kit 66796 to replace the primary relief valves in the secondary manifold.

O-Ring Service Kit - 66781			
Ref #	Part #	Qty	Description
31	66519	1	Tank Seal
32	3719	1	O-Ring - 013
33	7085	4	O-Ring - 010

66654 – 8428 Small Bolt Bag					
Part #	Qty Req	Description	Part #	Qty Req	Description
21533	2	1/4" x 3" Gr. 5 Cap Screw	80135	3	#6- x 1" PH PN TCTS TY F ZP/ZYC
90311	2	1/4" Plain Washer	91230	3	#6 Lock Washer
90360	2	5/16" Lock Washer	90656	2	#10 Plain Washer
*	2	#10 Lock Washer	90654	2	#8-32 x 3/8" Slotted Hex Washer
*	2	1/4-20 Lock Nut Nylon Insert	90655	2	#8 SP Lock Washer
*	2	Rubber Grommet	90106	2	3/8-16 x 1-1/4" Gr. 5 Cap Screw
4302	1	In-Line Connector	90361	2	3/8" Lock Washer
90672	2	5/16-24 Jam Nut	90334	2	3/8-16 Hex Nut
90673	2	#10-32 Hex Nut	21727	1	Breather – 3/8" NPT
56436	1	Control Bracket	69189	1	Fuse 5AFB NANO2

* available as part of service kit only

Mounting Bracket Service Kit – 66777



Copyright © 1998 Douglas Dynamics. L.L.C. All rights reserved. This material may not be reproduced or copied, in whole or in part, in any printed, mechanical, electronic, film or other distribution and storage media, without the written consent of Fisher Engineering. Authorization to photocopy items for internal or personal use by Fisher Engineering outlets is granted.

Fisher Engineering reserves the right under its product improvement policy to change construction or design details and furnish equipment when so altered without reference to illustrations or specifications used herein. Fisher Engineering and the vehicle manufacturer may require and/or recommend optional equipment for snow removal. Fisher Engineering offers a limited warranty for all snowplows and accessories. See separately printed page for this important information. The following are registered (®) and unregistered (™) trademarks of Douglas Dynamics, L.L.C.: EZ-V®, FISHER®

Printed in USA