



Insta-Act® Hydraulic Kit Parts Lists and Diagrams

Table of Contents

Parts Box.....3

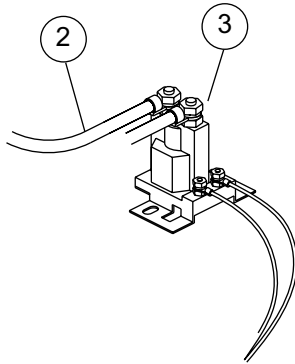
Hose Routing and Cylinder Components4

Bolt Bags and Cylinder Parts5

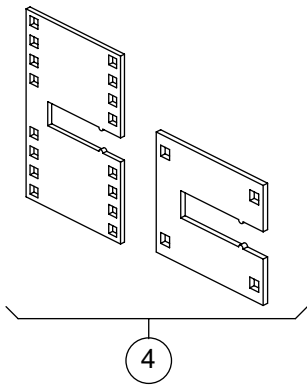
Hydraulic Unit Assembly6

Insta-Act Hydraulic Kit Parts List

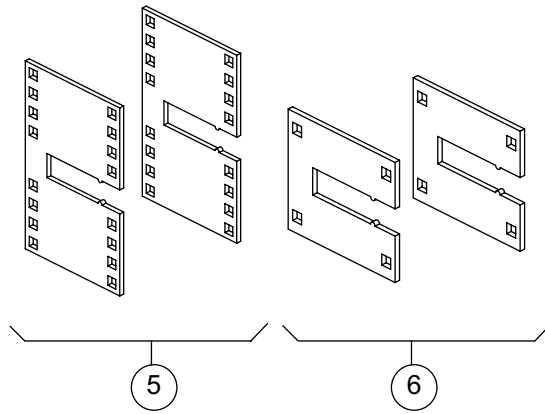
9825, 9835, 9840 Insta-Act Hydraulic Kits				
Part #	Description	Quantities		
		9825	9835	9840
22160	Hydraulic Unit 2500 PSI	1	1	
22155	Hydraulic Unit 4000 PSI			1
A5096	1-1/2" x 6" Cylinder Assy	1		
A3463	2" x 10" Cylinder Assy		1	
20116K	1-1/2" x 10" Cylinder Assy	2		1
A5166K	2" x 16" Cylinder Assy		2	
20117K	1-1/2" x 12" Cylinder Assy			2
66815	Parts Box Assy 9825	1		
66817	Parts Box Assy 9835		1	
56524	Parts Box Assy 9840			1
21727	Breather – 3/8 NPT	1	1	1
21294	Plow Cable Assy	1		1
63411	Vehicle Cable Assy	1		1
26359	Plow Control Harness	1		1
26345	Vehicle Control Harness	1		1
8291	Plug Cover	1		1



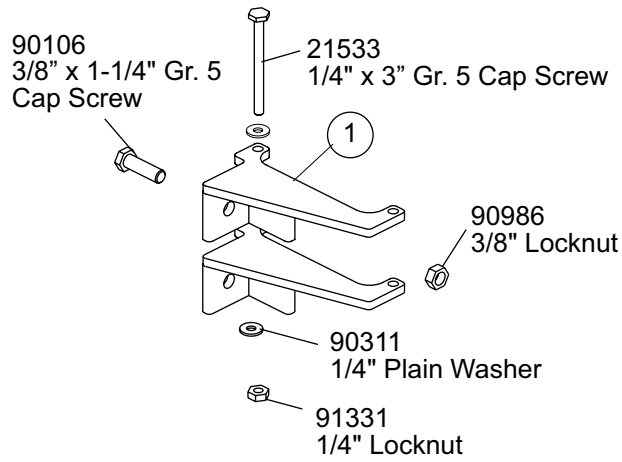
For 9825 & 9840 Kit



For 9835 Kit

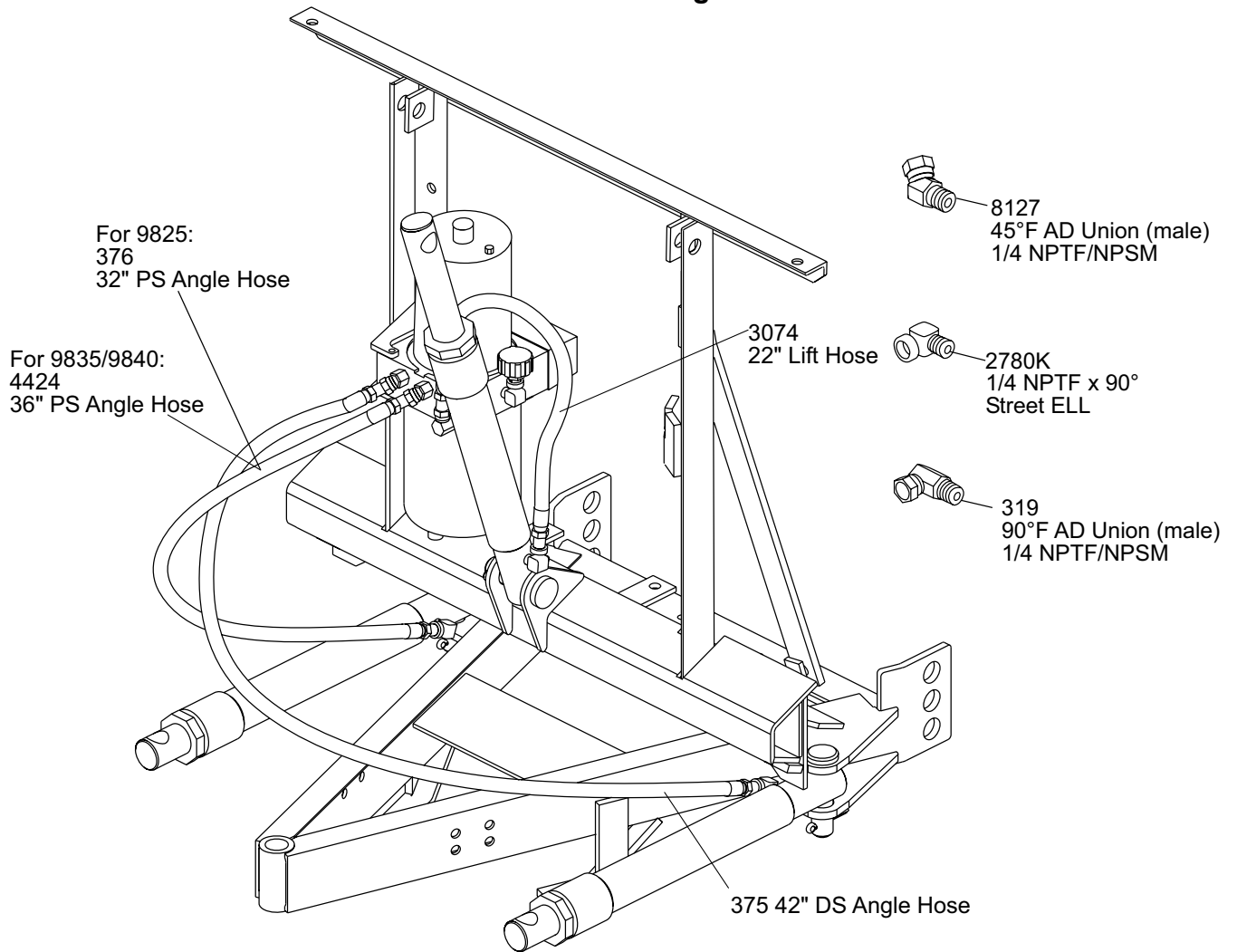


66777 – Mounting Bracket Service Kit

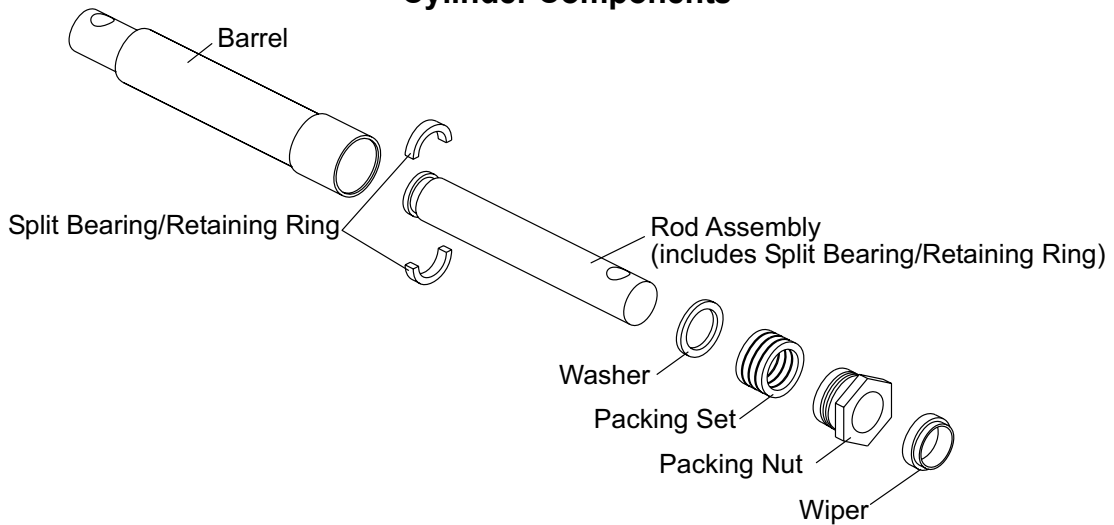


Parts Box Assemblies					
Ref #	Part #	Description	Quantities		
			66815 (in 9825 kit)	66817 (in 9835 kit)	56524 (in 9840 kit)
1	21577	Mounting Bracket	2	2	2
-	66777	Mounting Bracket Kit	1	1	1
2	22511	Battery Cable, 22" Red	1	1	1
3	5794	Motor Relay	1	1	1
ns	8284	Cable Boot	1	1	1
ns	61169	Vehicle Cable Assy		1	
-	375	High Pressure Hose 1/4" x 42"	1	1	1
-	4424	High Pressure Hose 1/4" x 36"		1	1
-	376	High Pressure Hose 1/4" x 32"	1		
-	3074	High Pressure Hose 1/4" x 22"	1	1	1
4	56526	Panel Mount Set (Long & Short)	1		1
5	8290	Panel Mount Set (Long)		1	
6	8325	Panel Mount Set (Short)		1	
ns	63120	Bolt Bag for 9825	1		
ns	63121	Bolt Bag for 9835		1	
ns	56525	Bolt Bag for 9840			1
ns	21294	Plow Cable Assembly		1	
ns = not shown					

Hose Routing



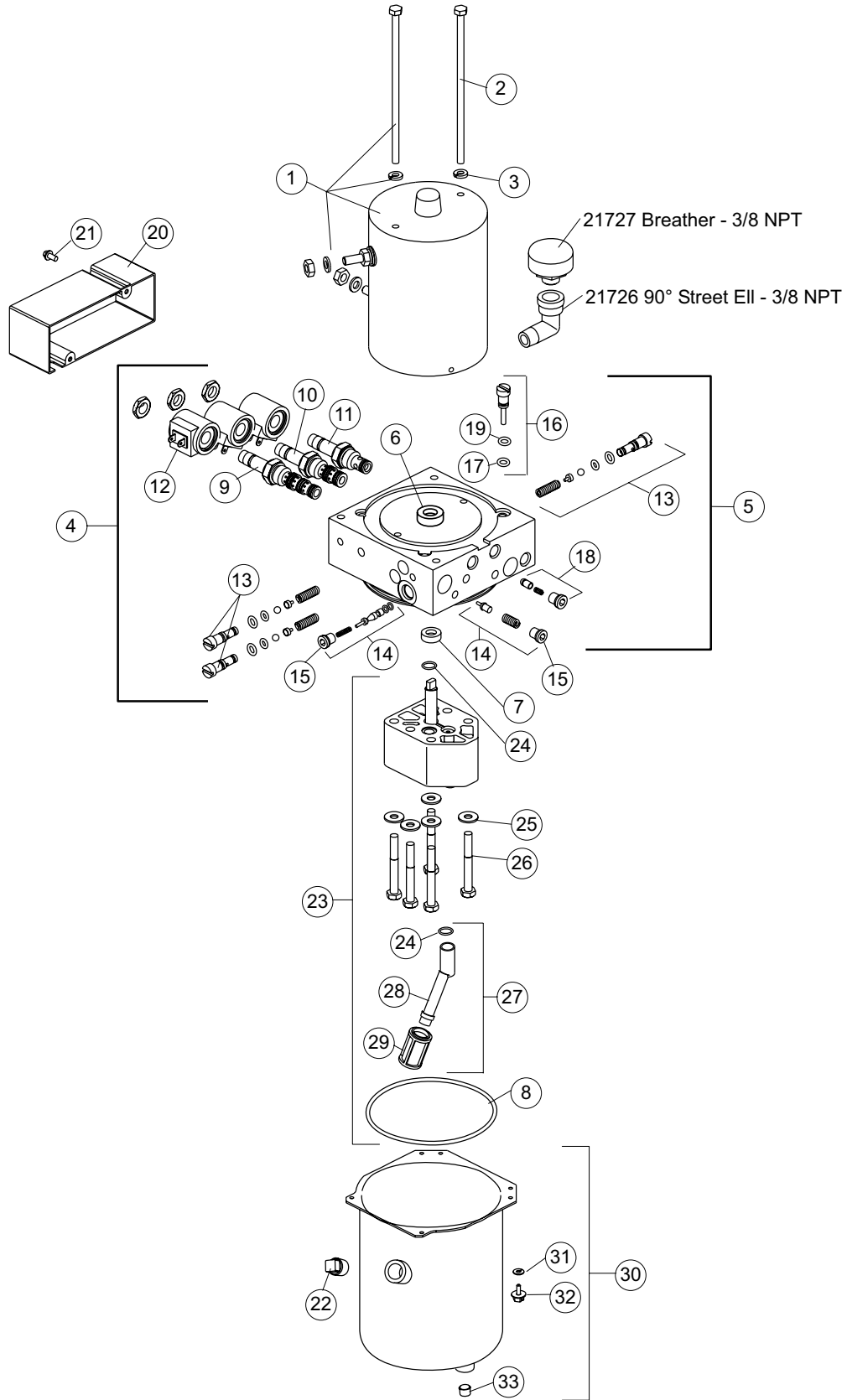
Cylinder Components



Bolt Bag Assemblies				
Part #	Description	Quantities		
		63120 (in 9825 kit)	63121 (in 9835 kit)	56525 (in 9840 kit)
8737	Bolt Bag Assy	1	1	1
2780K	1/4 NPTF x 90 Street ELL	3	3	3
319	90F AD Union (male) 1/4 NPTF/ NPSM	1	1	1
8127	45F AD Union (male) 1/4 NPTF/ NPSM	2	2	2
3666	Cable Tie - Black 3/16" x 8"	6	6	6
8324	Cable Tie - Black 3/16" x 14"	8	8	8
8329K	Dielectric Grease Tube	1	1	1
90601	1/4" x 1-1/2" Cotter Pin	6		6
90013	1/4" x 2" Cotter Pin		6	
90311	1/4" Flat Washer	4	4	4
6814	1" x 3-5/16" Clevis Pin	2	2	2
6816	1" x 4" Clevis Pin	4		2
22260	1" x 4-3/4" Clevis Pin			2
20790	Commercial Cylinder Pin		4	
21533	1/4-20 x 3" Cap Screw	2	2	2
90350	1/4-20 Locknut	2	2	2
90106	3/8"-16 x 1-1/4" Cap Screw	2	2	2
90986	3/8"-16 Locknut	2	2	2
21726	3/8 NPT 90-Deg Street ELL	1	1	1
8741	Boot Bracket	1	1	1

Cylinder Parts List								
Part #	Description	Barrel	Split Bearing/ Retaining Bearing	Rod Assembly	Washer	Packing Set	Packing Nut	Wiper
20116K	1-1/2" x 10" Cylinder Assembly	NA	20118	20618	338	339K	5763	341K
20117K	1-1/2" x 12" Angle Cylinder Assembly	NA	20118	20601	338	339K	5763	341K
A5166K	2" x 16" Angle Cylinder Assembly	6996	6997	6995	3621	3623	6998	3624
A3463	2" x 10" Lift Cylinder Assembly	NA	6997	3626	3621	3623	6998	3624
A5096	1-1/2" x 6" Lift Cylinder Assembly	5757	20118	21824	338	339K	5763	341K

Insta-Act® Hydraulic Unit Assembly



22160 & 22155 Insta-Act® Hydraulic Unit Parts List					
Ref #	Part #	Description	Quantities		
			22160 (in 9825 kit)	22160 (in 9835 kit)	22155 (in 9840 kit)
1	21500K	Motor Assembly	1	1	1
2	21508	1/4"-20 x 6-1/4 Cap Screw	2	2	2
3	91031	1/4" EX Tooth Lock Washer	2	2	2
4	22147	Valve Manifold Assy 2500	1	1	
	21499	Valve Manifold Assy 4000			1
5	22150	Valve Manifold 2500	1	1	
	21534	Valve Manifold 4000			1
6	21535	5/8" Fiber Thrust Washer	1	1	1
7	66515	Pump Shaft Seal	1	1	1
8	66519	O-Ring 2-250	1	1	1
9	7637K	Cartridge 40-with Jam Nut	1	1	1
10	66608	Cartridge 31-with Jam Nut	1	1	1
11	7634K	Cartridge 20-with Jam Nut	1	1	1
12	7639K	Coil with Spade Terminals	3	3	3
13	7629K	Cushion Valve Repair Kit - Set	3	3	3
14	7630K	Poppet Check Valve Kit	1	1	1
15	7625	3/8"-24 Hex Socket O-Ring Boss Plug	2	2	2
16	66509	Quill Assy – FS/IA	1	1	1
17	25622	O-Ring - 006	1	1	1
18	56507	Bypass Check Valve Kit	1	1	1
19	7633	Back -Up Ring-006 Parbak Split	1	1	1
20	21394	Cover Assembly	1	1	1
21	90650	Cover Screw	2	2	2
22	7621	Plug 3/8 NPTF SQ	1	1	1
23	21501K	Hyd Pump Kit	1	1	1
24	56274	O-Ring - 013	2	2	2
25	90313	5/16" Flat Washer	5	5	5
26	90080	5/16"-18 x 2-1/2 Cap Screw	5	5	5
27	66763	Pick-up Tube Parts Bag	1	1	1
28	56484	Inlet Fitting - Plastic	1	1	1
29	7053K	Suction Filter	1	1	1
30	21830	Reservoir Kit	1	1	1
31	90989	#10 Lock Washer	4	4	4
32	66607	#10-24 Slotted Hex Washer-Head MS	4	4	4
33	92095	1/4" NPT Hex Socket Drain Plug	1	1	1
ns	7632K	Back-up/O-Ring Kit	1	1	1
ns	21548	Brush Kit - Bosch One Terminal	1	1	1
ns	7635	Seal Kit - Cartridge 20	1	1	1
ns	7638	Seal Kit - Cartridge 30,31,33,40 & 43	1	1	1
ns = not shown					

8737 – Small Bolt Bag Assembly					
Part #	Qty	Description	Part #	Qty	Description
8737	1	Bolt Bag Assy	91055	1	M6-1.00 x 25 Cap Screw
5048	1	1/4 Fully Insulated Blade	91056	1	M6-1.00 Nut
21306	1	.187 Insulated Receptacle	91057	1	M6 Flat Washer
21307	1	.250 Insulated Receptacle	90311	2	1/4 Flat Washer
21308	1	Fuse Tap - .250 Tab	90360	2	5/16" Lock Washer
21309	1	Fuse Tap - .187 Tab	90657	2	#10 Lock Washer
3042	1	Rubber Grommet	90673	2	#10 Nut
90350	2	1/4"-20 Locknut	90672	2	5/16-24 Jam Nut
90461	2	1/4"-20 x 3/4" Cap Screw			

7632K – Back-Up/O-Ring Kit					
Part #	Qty	Description	Part #	Qty	Description
56416	1	O-Ring - 014	55371	5	O-Ring - 008
56274	1	O-Ring - 013	25622	2	O-Ring - 006
25730	2	O-Ring - 012	66628	1	Backup Ring - 008
66627	1	O-Ring - 011	56315	2	Backup Ring - 006
25731	4	O-Ring - 010	66519	1	O-Ring 2-250

Copyright © 2000 Douglas Dynamics. L.L.C. All rights reserved. This material may not be reproduced or copied, in whole or in part, in any printed, mechanical, electronic, film or other distribution and storage media, without the written consent of Fisher Engineering. Authorization to photocopy items for internal or personal use by Fisher Engineering outlets is granted.

Fisher Engineering reserves the right under its product improvement policy to change construction or design details and furnish equipment when so altered without reference to illustrations or specifications used herein. Fisher Engineering and the vehicle manufacturer may require and/or recommend optional equipment for snow removal. Fisher Engineering offers a limited warranty for all snowplows and accessories. See separately printed page for this important information. The following are registered (®) trademarks of Douglas Dynamics, L.L.C.: FISHER®, Insta-Act®

Printed in USA