



Straight Blade Insta-Act® Hydraulic Kit Parts Lists and Diagrams

Table of Contents

Parts Box 2

Hydraulic Fitting Identification and Hose Routing 3

Bolt Bags and Backup Ring/O-Ring Kit 4

Ram Components and Ram Kit Parts Lists 5

Hydraulic Unit Assembly and Parts List 6

Motor Manufacturer Identification and Service Parts 8

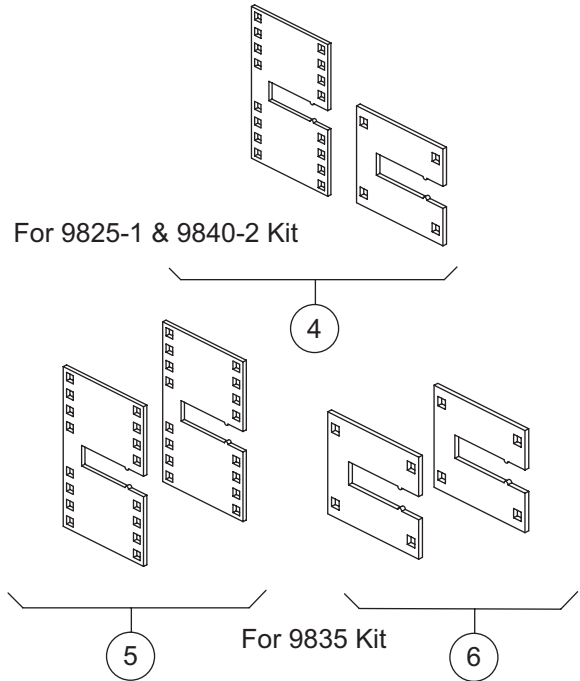
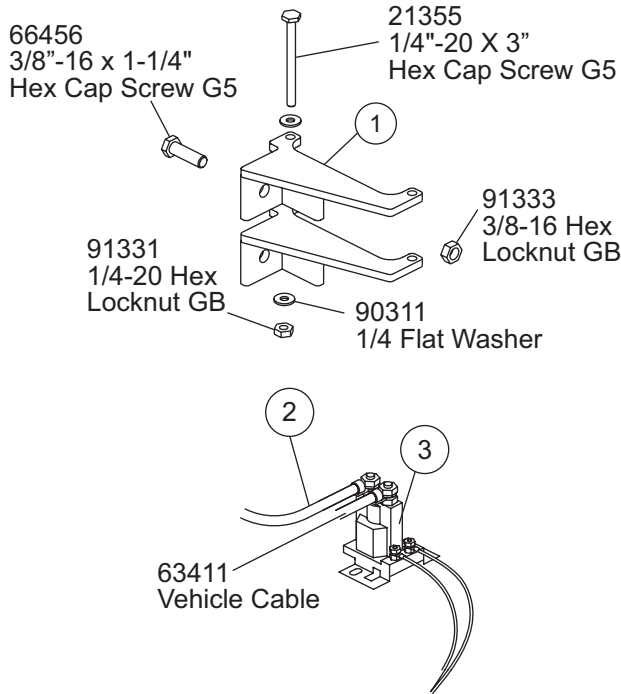
Harness ID Reference 9

Insta-Act HYDRAULIC KIT PARTS LIST

9825-1, 9835, 9840-2 Insta-Act Hydraulic Kits				
Part	Description	Qty		
		9825-1	9835	9840-2
22160-1	Hydraulic Unit 2500 PSI	1	1	
22155-1	Hydraulic Unit 4000 PSI			1
56718	1-1/2" x 6" Ram Assembly	1		
A3463	2" x 10" Ram Assembly		1	
A5166K	2" x 16" Ram Assembly		2	
56603K	1-1/2" x 12" Ram Assembly			2
56600K	1-1/2" x 10" Ram Assembly	2		1
56703	Parts Box Assy 9825-1	1		
66817	Parts Box Assy 9835		1	
56700	Parts Box Assy 9840-2			1
21727-1	Breather – 3/8 NPTF	1	1	1
21294	Plow Cable Assembly	1		1
63411	Vehicle Battery Cable Assembly	1		1
26359	Plow Control Harness 3-Pin	1		1
26345	Vehicle Control Harness 3-Pin	1		1
8291	Plug Cover	1		1

9825-1, 9835, 9840-2

66777 – Mounting Bracket Service Kit



Parts Box Assemblies					
Item	Part	Description	Qty		
			56703 (in 9825-1 kit)	66817 (in 9835 kit)	56700 (in 9840-2 kit)
1	21577	Mounting Bracket	2	2	
-	66777	Mounting Bracket Kit	1	1	
2	22511	Battery Cable, 22" Red	1	1	1
3	5794K	Motor Relay	1	1	1
ns	8284	Cable Boot	1	1	1
ns	61169	Vehicle Cable Assy		1	
-	375	High Pressure Hose 1/4" x 42" (NPTF Ends)		1	
-	56591	High Pressure Hose 1/4" x 42" (JIC Ends)	1		1
-	4424	High Pressure Hose 1/4" x 36" (NPTF Ends)		1	
-	56599	High Pressure Hose 1/4" x 36" (JIC Ends)			1
-	56710	High Pressure Hose 1/4" x 32" (JIC Ends)	1		
-	3074	High Pressure Hose 1/4" x 22" (NPTF Ends)		1	
-	56598	High Pressure Hose 1/4" x 22" (JIC Ends)	1		1
4	56526	Panel Mount Set (Long & Short)	1		1
5	8290	Panel Mount Set (Long)		1	
6	8325	Panel Mount Set (Short)		1	
ns	56704	Bolt Bag for 9825-1	1		
ns	63121	Bolt Bag for 9835		1	
ns	56699	Bolt Bag for 9840-2			1
ns	21294	Plow Cable Assembly		1	

See Abbreviation Key Page 10

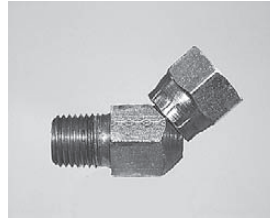
HYDRAULIC FITTING IDENTIFICATION



2780K
1/4 NPTF x 90°
Street Elbow



319K
90°F AD Union (male)
1/4 NPTF/NPSM



8127K
45°F AD Union (male)
1/4 NPTF/NPSM



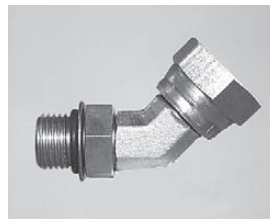
56725
9/16" O-Ring to
JIC 90° Elbow



56726
9/16" O-Ring to
JIC 45° Elbow



56723 *
9/16" O-ring to 1/4"
NPTF/NPSM 90° Elbow

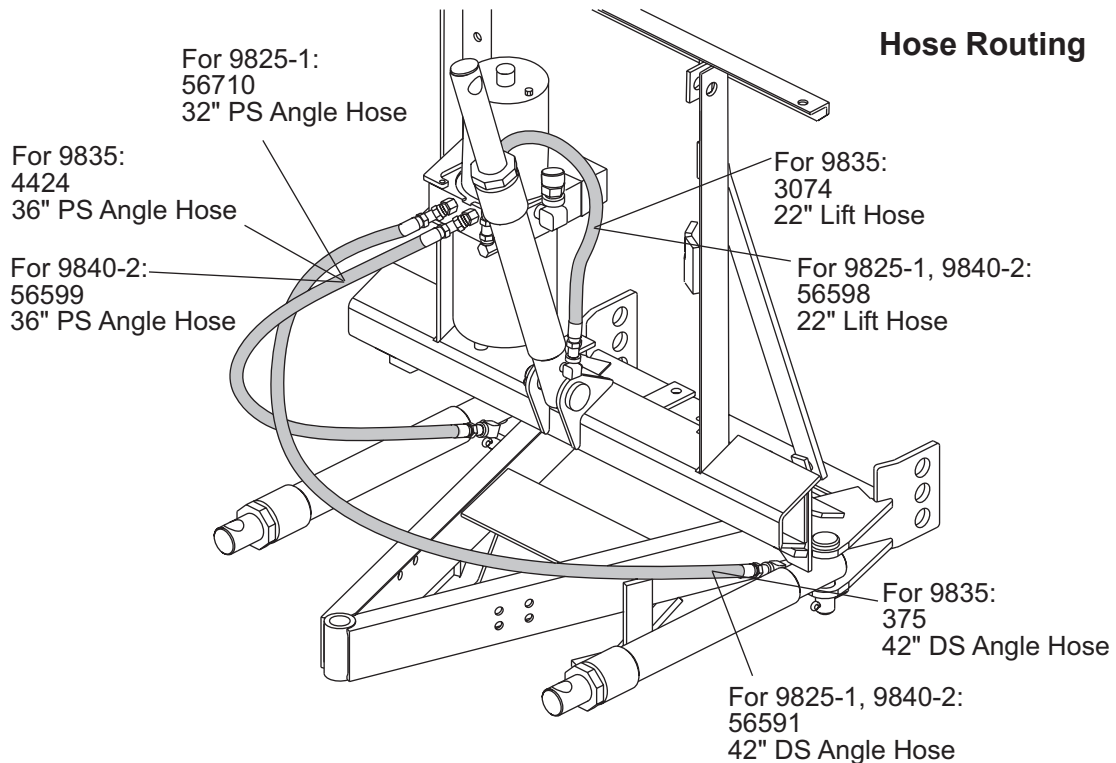


56724 *
9/16" O-Ring to 1/4"
NPTF/NPSM 45° Elbow



20316K *
9/16" O-Ring to
1/4" NPTF 90° Elbow

* Adapts SAE O-ring style manifold to NPTF hoses.

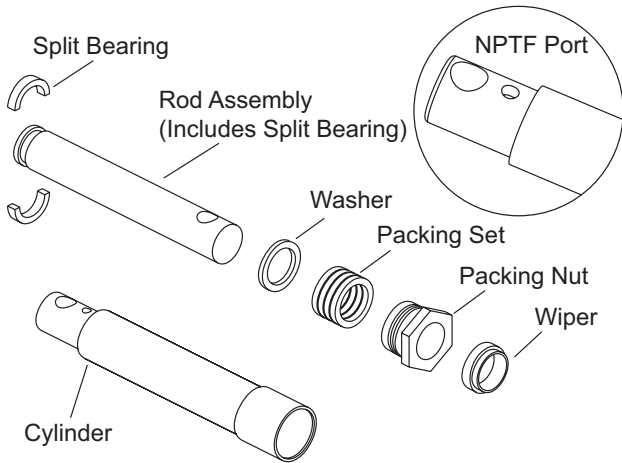


9825-1, 9835, 9840-2

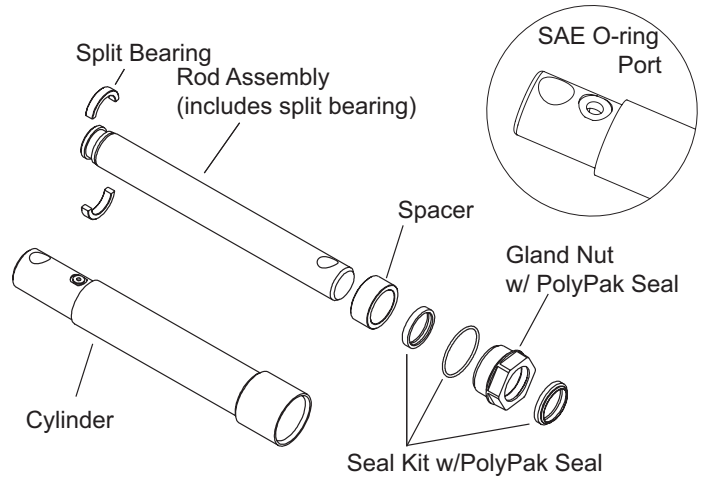
Bolt Bag Assemblies					
Part	Description	Qty			
		56704 (in 9825-1 kit)	63121 (in 9835 kit)	56699 (in 9840-2 kit)	
8737	Bolt Bag Assembly	1	1	1	
2780K	1/4 NPTF x 90 Street Elbow		3		
319K	90° F AD Union (male) 1/4 NPTF/ NPSM		1		
8127K	45° F AD Union (male) 1/4 NPTF/ NPSM		2		
56725	9/16" O-ring x JIC 90°	4		4	
56726	9/16" O-ring x JIC 45°	2		2	
3666	Cable Tie - Black 3/16" x 8"	6	6	6	
8324	Cable Tie - Black 3/16" x 14"	8	8	8	
8329K	Dielectric Grease Tube	1	1	1	
90601	1/4 x 1-1/2 Cotter Pin ZP	6		6	
90013	1/4 x 2 Cotter Pin ZP		6		
90311	1/4 Flat Washer	4	4	4	
6814	1OD x 3-5/16 Clevis Pin	2	2	2	
6816	1OD x 4 Anchor Pin	4		2	
22260	1OD x 4-3/4 Clevis Pin			2	
20790	Commercial Cylinder Pin		4		
21355	1/4-20 x 3 Hex Cap Screw G5	2	2	2	
91331	1/4-20 Hex Locknut GB	2	2	2	
66456	3/8-16 x 1-1/4 Hex Cap Screw G5	2	2		
91333	3/8-16 Hex Locknut GB	2	2		
21726	3/8 NPTF 90° Street Elbow	1	1	1	
8741	Boot Bracket	1	1	1	
8737 – Small Bolt Bag Assembly					
Part	Qty	Description	Part	Qty	Description
5048	1	1/4 Fully Insulated Blade	91055	1	M6-1.00 x 25 Hex Cap Screw G8.8
21306	1	.187 Insulated Receptacle	91056	1	M6-1.00 Hex Nut G10
21307	1	.250 Insulated Receptacle	91057	1	M6 Flat Washer
21308	1	Fuse Tap - .250 Tab	90311	2	1/4 Flat Washer
21309	1	Fuse Tap - .187 Tab	91202	2	5/16 Spring Lock Washer
3042	1	Rubber Grommet	91242	2	#10 Spring Lock Washer
91331	2	1/4-20 Hex Locknut GB	91402	2	10-32 Hex Machine Screw Nut
90461	2	1/4-20 x 3/4 Hex Cap Screw G5	92842	2	5/16-24 Hex Jam Nut G5
7632K – Backup Ring/O-Ring Kit					
Part	Qty	Description	Part	Qty	Description
56416	1	O-Ring - 014	55371	5	O-Ring – 008, 90 Durometer
56274	1	O-Ring - 013	25622	2	O-Ring - 006
25730	2	O-Ring - 012	66628	1	Backup Ring - 008
66627	1	O-Ring - 011	56315	2	Backup Ring - 006
25731	4	O-Ring - 010	66519	1	O-Ring 2-250
See Abbreviation Key Page 10					

RAM COMPONENTS

**Ram Equipped w/
NPTF Port/Packing Nut**

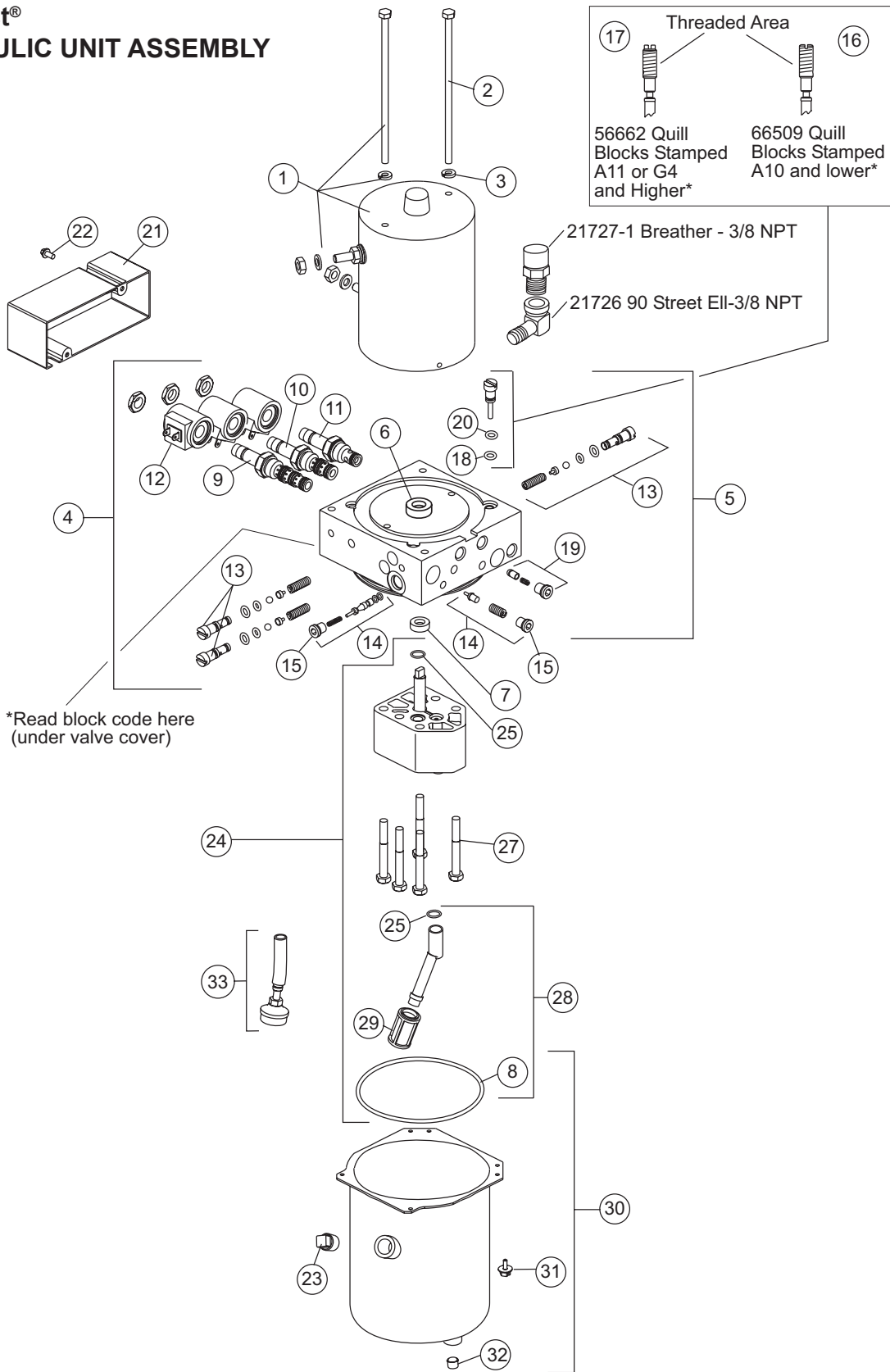


**Ram Equipped w/
O-Ring Port/Gland Nut**



Ram Kit Parts List								
Part	Rams w/NPTF Port/Packing Nut					Rams w/ O-Ring/Gland Nut		
	20116K	20117K	A5096	A5166K	A3463	56600K	56718	56603K
Description	1-1/2" x 10" Ram Assembly	1-1/2" x 12" Ram Assembly	1-1/2" x 6" Ram Assembly	2" x 16" Ram Assembly	2" x 10" Ram Assembly	1-1/2" x 10" Ram Assembly	1-1/2" x 6" Ram Assembly	1-1/2" x 12" Ram Assembly
Cylinder	N/A	N/A	5757	6996	N/A	56602	56702	56605
Split Bearing	20118K	20118K	20118K	6997	6997	20118K	20118K	20118K
Rod Assembly	20618	20601	21824	6995	3626	26981	56717	56715
Washer	338	338	338	3621	3621			
Packing Set	339K	339K	339K	3623	3623			
Packing Nut	5763	5763	5763	6998	6998			
Wiper	341K	341K	341K	3624	3624			
Spacer						56537	56537	56537
Gland Nut						56555	56555	56555
PolyPak Seal Kit						56556	56556	56556

**Insta-Act®
HYDRAULIC UNIT ASSEMBLY**



22160-1 & 22155-1 Insta-Act® Hydraulic Unit Parts List					
Item	Part	Description	Qty		
			22160-1 (in 9825-1 kit)	22160-1 (in 9835 kit)	22155-1 (in 9840-2 kit)
1	21500K	Motor Assembly	1	1	1
2	-	Cap Screw- See Page 8	2	2	2
3	-	Lock Washer-See Page 8	2	2	2
4	22147-1	Valve Manifold Assembly	1	1	1
5	22150-1	Valve Manifold	1	1	1
6	-	Fiber Thrust Washer- See Page 8	1	1	1
7	66515	Pump Shaft Seal	1	1	1
8	66519	O-Ring 2-250	1	1	1
9	7637K	Cartridge 40-with Jam Nut	1	1	1
10	66608	Cartridge 31-with Jam Nut	1	1	1
11	7634K	Cartridge 20-with Jam Nut	1	1	1
12	7639K	Coil with Spade Terminals	3	3	3
13	7629K	Cushion Valve Repair Kit - Set	3	3	3
14	7630K	Poppet Check Valve Kit	1	1	1
15	7625	3/8-24 Hex SO O-Ring Boss Plug	2	2	2
16	66509	Quill Assy (Full Thread Rev 10 and lower blocks)	1	1	1
17	56662	Quill Assy (Partial Thread Rev 11 or G4 and higher blocks)	1	1	1
18	25622	O-Ring - 006	1	1	1
19	56507	Bypass Check Valve Kit	1	1	1
20	7633	Back -Up Ring-006 Parbak Split	1	1	1
21	21394	Cover Assembly	1	1	1
22	90650	Cover Screw	2	2	2
23	7621	Plug 3/8 NPTF Square	1	1	1
24	21501K	Hydraulic Pump Kit	1	1	1
25	56274	O-Ring - 013	2	2	2
27	90073	5/16-18 x 2-1/4 Hex Cap Screw G5	5	5	5
28	66763	Inlet Fitting/Filter Kit	1	1	1
29	7053K	Suction Filter	1	1	1
30	21830	Reservoir Kit	1	1	1
31	66607	10-24 x 5/16 Machine Screw	4	4	4
32	92095	Plug 1/4 NPTF Hex Square Thread Seal	1	1	1
33	66405	Return Screen Assembly	1	1	1
ns	7632K	Back-up/O-Ring Kit	1	1	1
ns	-	Brush Kit – See Page 8	1	1	1
ns	7635	Seal Kit - Cartridge 20	1	1	1
ns	7638	Seal Kit - Cartridge 30, 31, 33, 40 & 43	1	1	1

See Abbreviation Key Page 10

MOTOR MANUFACTURER IDENTIFICATION AND SERVICE PARTS

Photos show terminal positions and end caps for brand identification.



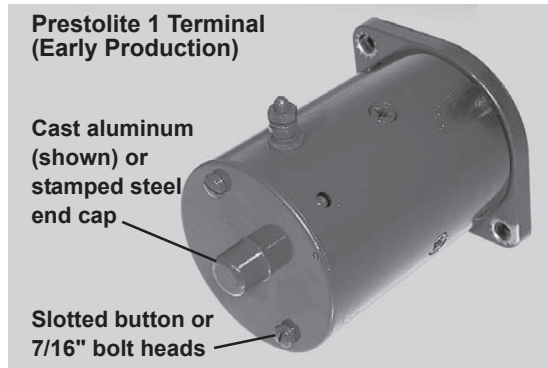
Part	Qty	Description
56665	1	Brush Kit – Bosch 2 Terminal
22342K	1	Motor Cap Screws-Modular Hydraulics
90359	2	1/4 Spring Lock Washer
21535	1	5/8 Fiber Thrust Washer (drive end)



Part	Qty	Description
56666	1	End Cap w/O-Ring – Prestolite 2 Terminal
56667	1	Brush Kit – Prestolite 2 Terminal
27044K	1	Thru-Bolt Kit – Prestolite 2 Terminal (Includes cap screws and special washers.)
56668	1	Thrust Washer Kit – Prestolite 2 Terminal (Includes retaining ring for early production.)

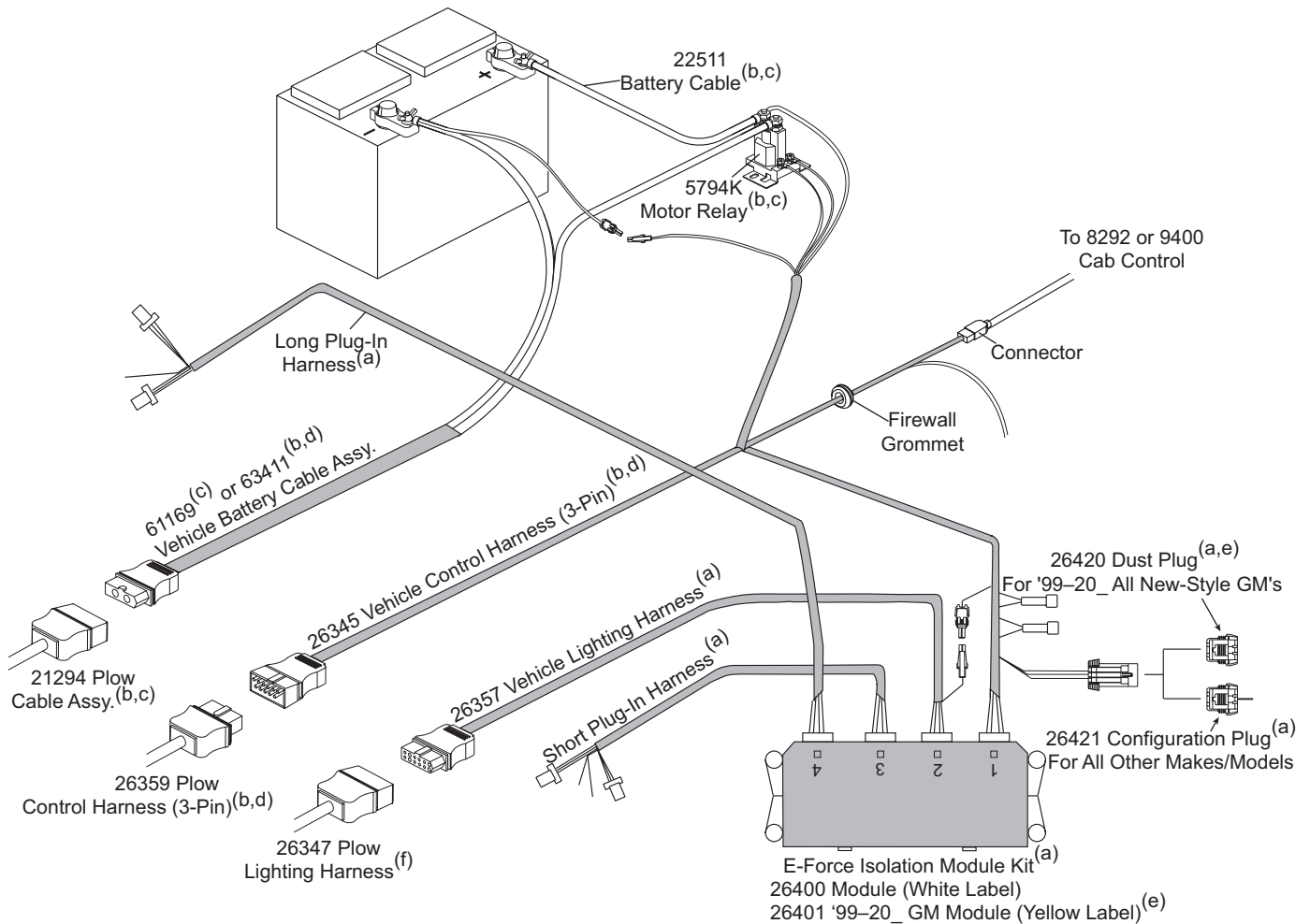


Part	Qty	Description
21548	1	Brush Kit – Bosch 1 Terminal
22342K	1	Motor Cap Screws-Modular Hydraulics
90359	2	1/4 Spring Lock Washer
21535	1	5/8 Fiber Thrust Washer (drive end)



Part	Qty	Description
7619	1	Brush Kit – Prestolite 1 Terminal

HARNESS WIRING DIAGRAM Insta-Act® 9840-2, 9825-1 and 9835 and Plug-In Harness Kit



- (a) Packed in Peculiar Light Kit.
- (b) Packed in 9840-X and 9825-X hydraulic kits.
- (c) Packed in 9835 hydraulic kit.
- (d) Packed in 26431 harness kit required to make commercial hydraulic kit 9835 E-Force compatible.
- (e) Packed in Peculiar Light Kit #8437 only.
- (f) Packed in 8435 Common Light Kit.

Abbreviation Key	
AD	Adapter
F	Female
G	Grade
JIC	Joint Industry Conference
M	Metric
NPSM	National Pipe Straight Thread for Mechanical Joints
NPTF	National Pipe Thread (Fluid)
ns	Not Shown
OD	Outside Diameter
PSI	Pounds Per Square Inch
SAE	Society of Automotive Engineers
SO	Socket Head
ZP	Zinc Plate

Copyright © 2003 Douglas Dynamics, L.L.C. All rights reserved. This material may not be reproduced or copied, in whole or in part, in any printed, mechanical, electronic, film or other distribution and storage media, without the written consent of Fisher Engineering. Authorization to photocopy items for internal or personal use by Fisher Engineering outlets or snowplow owner is granted.

Fisher Engineering reserves the right under its product improvement policy to change construction or design details and furnish equipment when so altered without reference to illustrations or specifications used. Fisher Engineering and the vehicle manufacturer may require and/or recommend optional equipment for snow removal. Do not exceed vehicle ratings with a snowplow. Fisher Engineering offers a limited warranty for all snowplows and accessories. See separately printed page for this important information. The following are registered (®) trademarks of Douglas Dynamics, L.L.C.: FISHER®, Insta-Act®.

Printed in USA